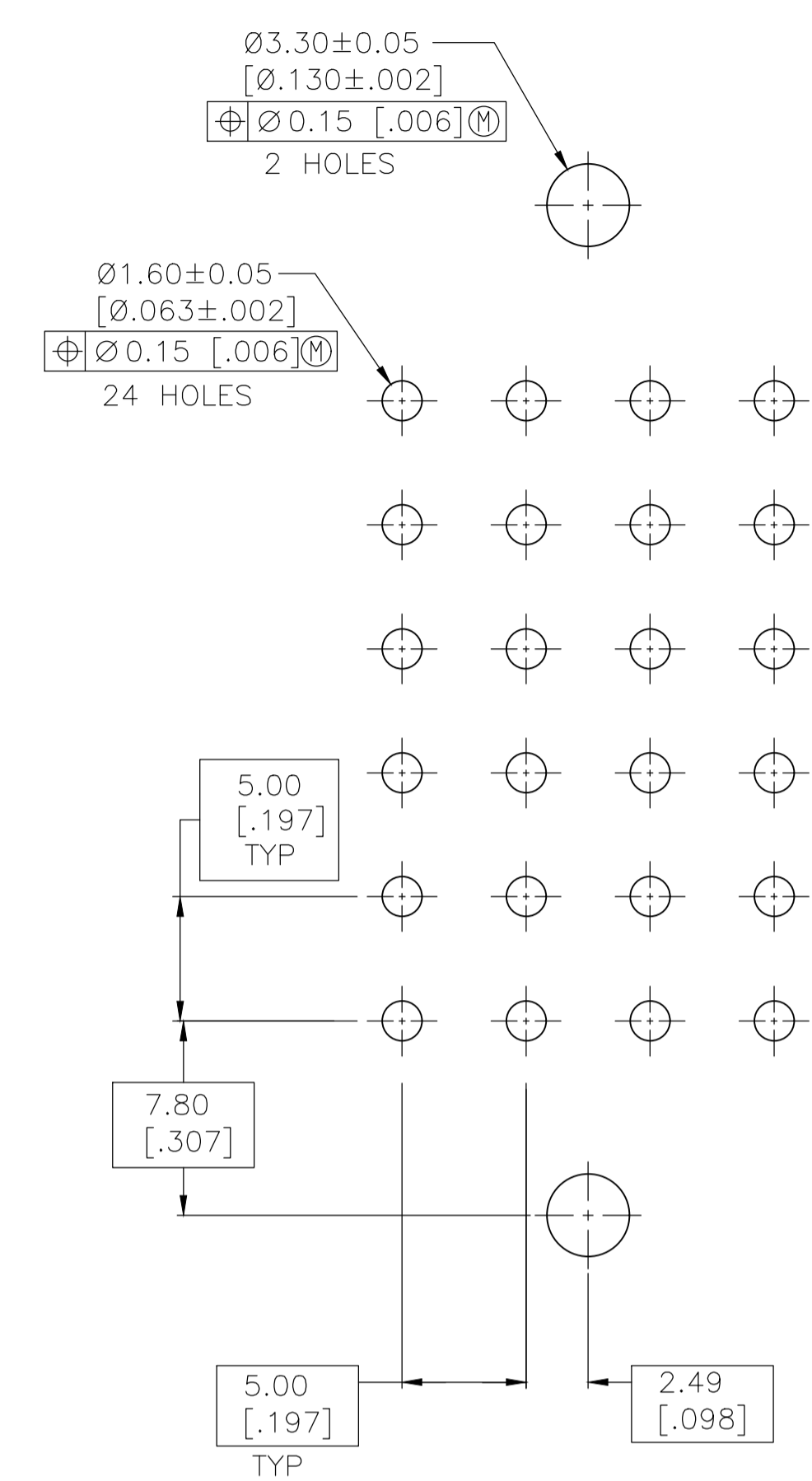
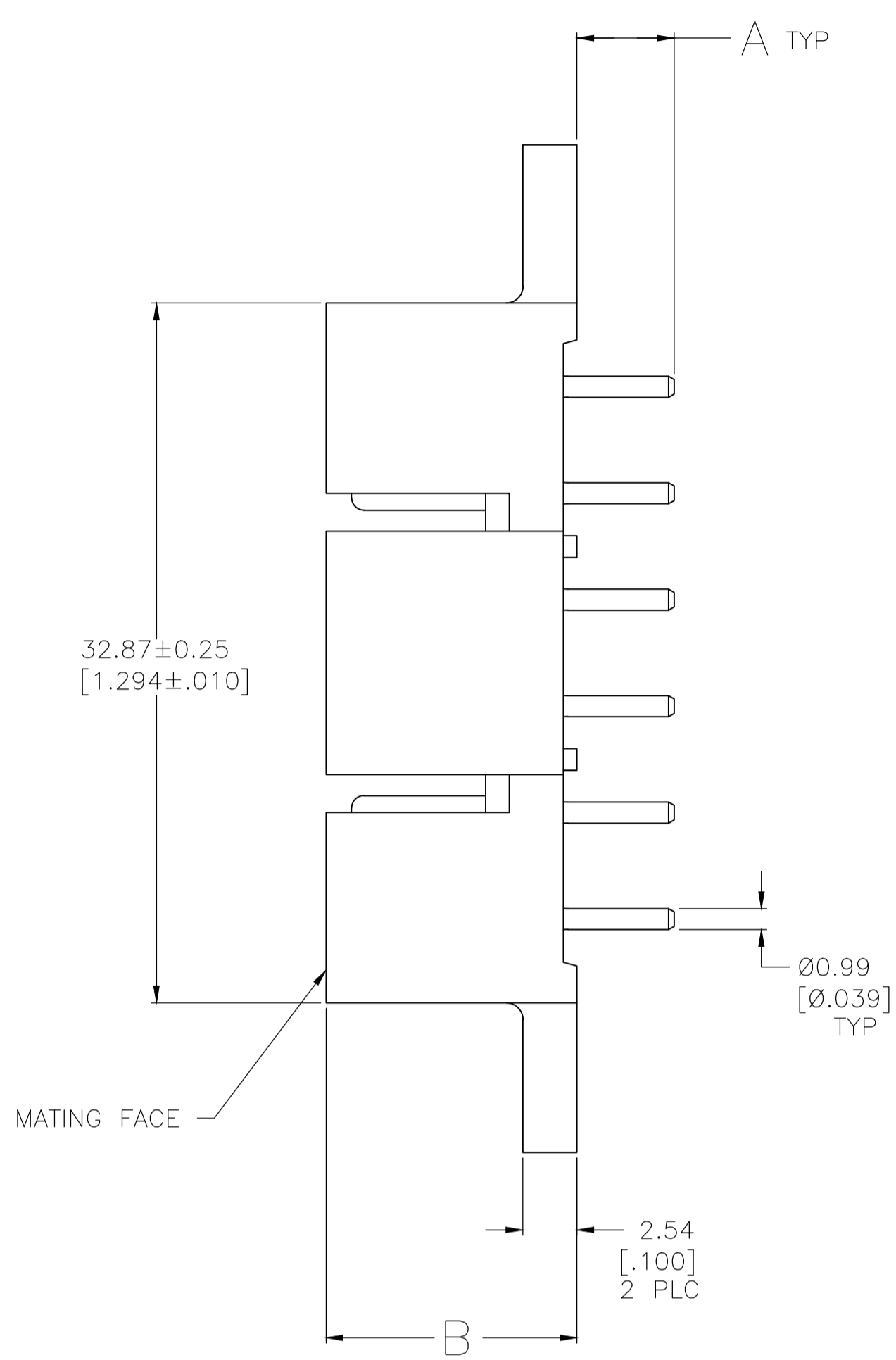
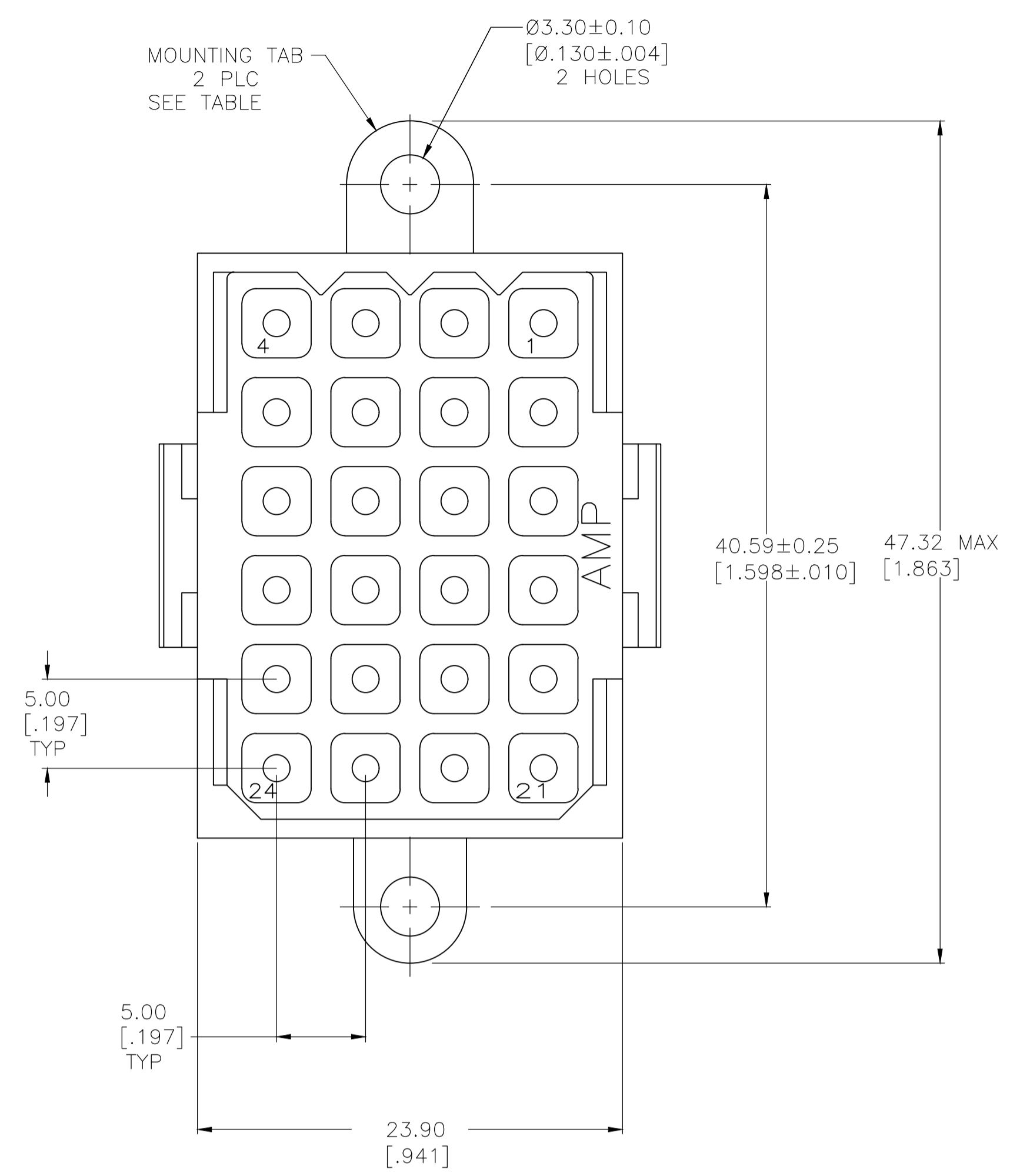
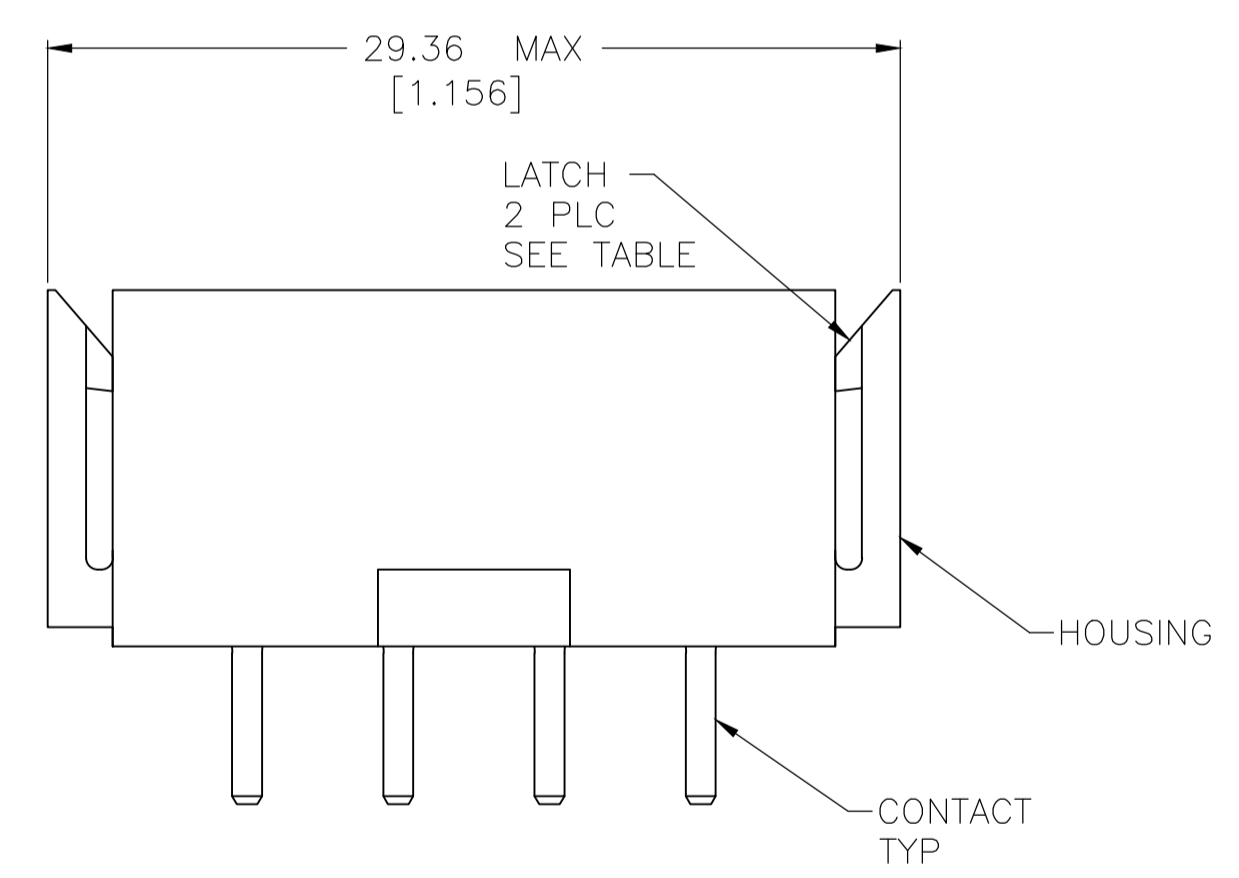


REVISIONS					
REV	DESCRIPTION	DATE	BY	CHK	APPV
AA	REVISED PER ECO-16-011265	12AUG2016	NK		MZ
AB	REV PER ECO-18-000441	23JAN2018	RS		MZ
AC	REVISED PER ECO-20-002045	13FEB2020	RK		MZ



RECOMMENDED PC BOARD LAYOUT



- 1 HOUSING MATERIAL: PA66, BLACK, UL 94 V-0 RATED
- 2 CONTACT MATERIAL: BRASS PER ASTM B36
- 3 $3.81\mu\text{m}$ [$.000150$] MIN TIN-LEAD OVER $2.54\mu\text{m}$ [$.000100$] MIN COPPER OR $1.27\mu\text{m}$ [$.000050$] MIN NICKEL.
- 4 $0.76\mu\text{m}$ [$.000030$] MIN GOLD FOR A LENGTH OF 5.08 [$.200$] FROM MATING END, $3.81\mu\text{m}$ [$.000150$] MIN TIN-LEAD FOR A LENGTH OF 4.83 [$.190$] MIN FROM OPPOSITE END, BOTH OVER $1.27\mu\text{m}$ [$.000050$] MIN NICKEL.
- 5 $0.38\mu\text{m}$ [$.000015$] MIN GOLD FOR A LENGTH OF 5.08 [$.200$] FROM MATING END, $3.81\mu\text{m}$ [$.000150$] MIN TIN-LEAD FOR A LENGTH OF 4.83 [$.190$] MIN FROM OPPOSITE END, BOTH OVER $1.27\mu\text{m}$ [$.000050$] MIN NICKEL.
- 6 $.000150$ MIN TIN OVER $.000100$ MIN COPPER OR $.000050$ MIN NICKEL.
- 7 $0.76\mu\text{m}$ [$.000030$] MIN GOLD FOR A LENGTH OF 5.08 [$.200$] FROM MATING END, $3.81\mu\text{m}$ [$.000150$] MIN TIN FOR A LENGTH OF 4.83 [$.190$] MIN FROM OPPOSITE END, BOTH OVER $1.27\mu\text{m}$ [$.000050$] MIN NICKEL.

REV	DESCRIPTION	DATE	BY	CHK	APPV		
1	11.79[.464]	4.60±0.64[.181±.025]	YES	7	NO	1-206763-4	
2	11.79[.464]	4.60±0.64[.181±.025]	YES	7	YES	1-206763-3	
3	11.79[.464]	4.60±0.64[.181±.025]	YES	6	NO	1-206763-2	
4	11.79[.464]	4.60±0.64[.181±.025]	YES	6	YES	1-206763-1	
5	OBSOLETE	11.79[.464]	4.60±0.64[.181±.025]	NO	5	YES	206763-9
6	OBSOLETE	13.31[.524]	4.60±0.64[.181±.025]	YES	3	NO	206763-8
7	OBSOLETE	11.79[.464]	4.60±0.64[.181±.025]	YES	4	NO	206763-4
8	OBSOLETE	11.79[.464]	4.60±0.64[.181±.025]	YES	4	YES	206763-3
9	OBSOLETE	11.79[.464]	4.60±0.64[.181±.025]	YES	3	NO	206763-2
10	OBSOLETE	11.79[.464]	4.60±0.64[.181±.025]	YES	3	YES	206763-1

THIS DRAWING IS A CONTROLLED DOCUMENT.

DIMENSIONS: mm [INCHES]	TOLERANCES UNLESS OTHERWISE SPECIFIED:	DIN L/SIDE 03/11/92	APPROVAL: R. STONE 3-17-92	TE Connectivity
0 PLC ± -	1 PLC ± -	APPROVAL: A. TRAVIS 3-17-92	NAME: PIN HEADER ASSEMBLY, 24 POSITION, METRIMATE	
2 PLC ± 0.13 [.005]	3 PLC ± -	PRODUCT SPEC: 108-10033	APPLICATION SPEC: -	
4 PLC ± -	ANGLES ± -	SIZE: A1	SCALE: 4:1	
MATERIAL: 1-2	FINISH: CONTACT: SEE TABLE	WEIGHT: -	DRAWING NO: 00779	RESTRICTED TO: -
			CUSTOMER DRAWING	SHEET 1 OF 1 REV AC

X-ON Electronics

Largest Supplier of Electrical and Electronic Components

Click to view similar products for [Headers & Wire Housings](#) category:

Click to view products by [TE Connectivity](#) manufacturer:

Other Similar products are found below :

[892-18-020-10-001101](#) [58102-G61-06LF](#) [582553-1](#) [0009485154](#) [009176003701906](#) [0050291907](#) [LY20-4P-DT1-P1E-BR](#) [02.125.8002.8](#)
[609-3404](#) [61062-3](#) [61082-181009](#) [622-3653LF](#) [63453-116](#) [636-1030](#) [636-1427](#) [636-3427](#) [636-4007](#) [641938-9](#) [641991-4](#) [644827-2](#) [65817-](#)
[010LF](#) [65817-015LF](#) [65863-015LF](#) [66207-023LF](#) [67095-007LF](#) [67601157](#) [68645-018](#) [68648-049](#) [70.362.1628.0](#) [70-4210](#) [70-4226B](#) [70-](#)
[4853B](#) [707-5020](#) [707-5028](#) [71.350.2428.0](#) [71918-208LF](#) [71961-016LF](#) [733-134](#) [733-162](#) [754199-000](#) [760-3052](#) [787-8014-00](#) [79531-3000](#)
[FCN-360C032-B](#) [FCN-367T-T012/H](#) [FCN-723D010/2](#) [80.063.4001.1](#) [800-90-001-10-001000](#) [800-90-010-10-002000](#) [801-43-002-10-013000](#)