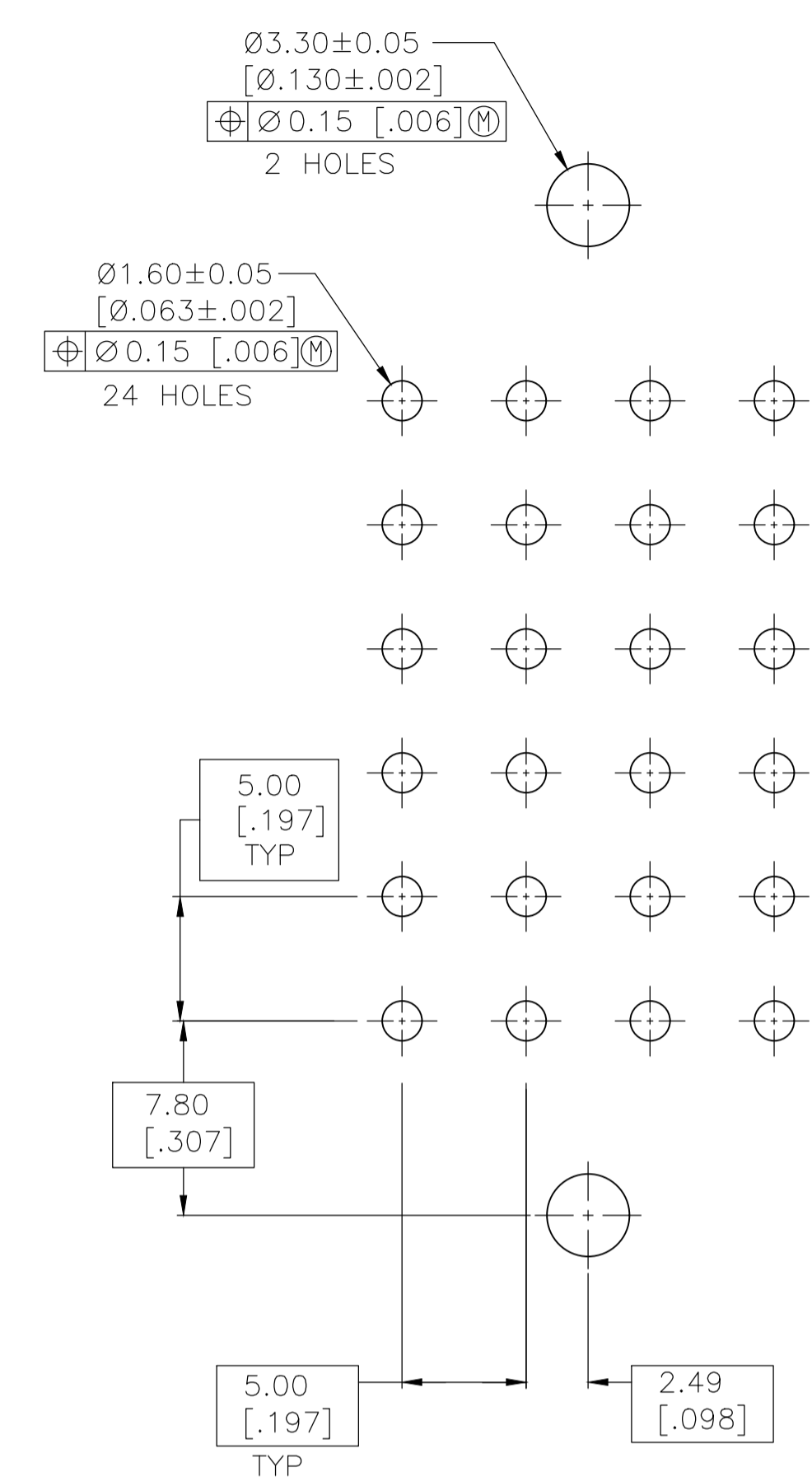
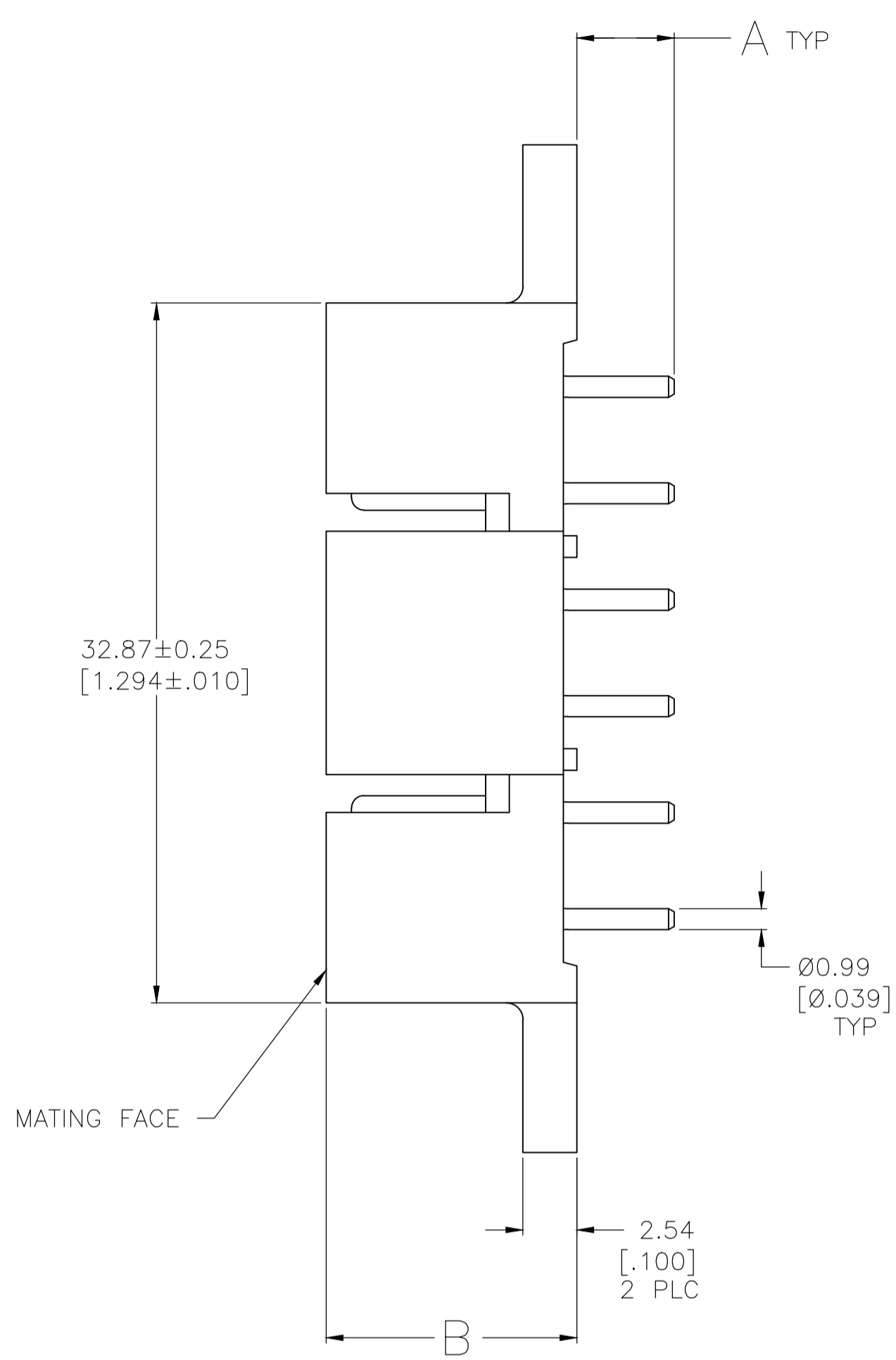
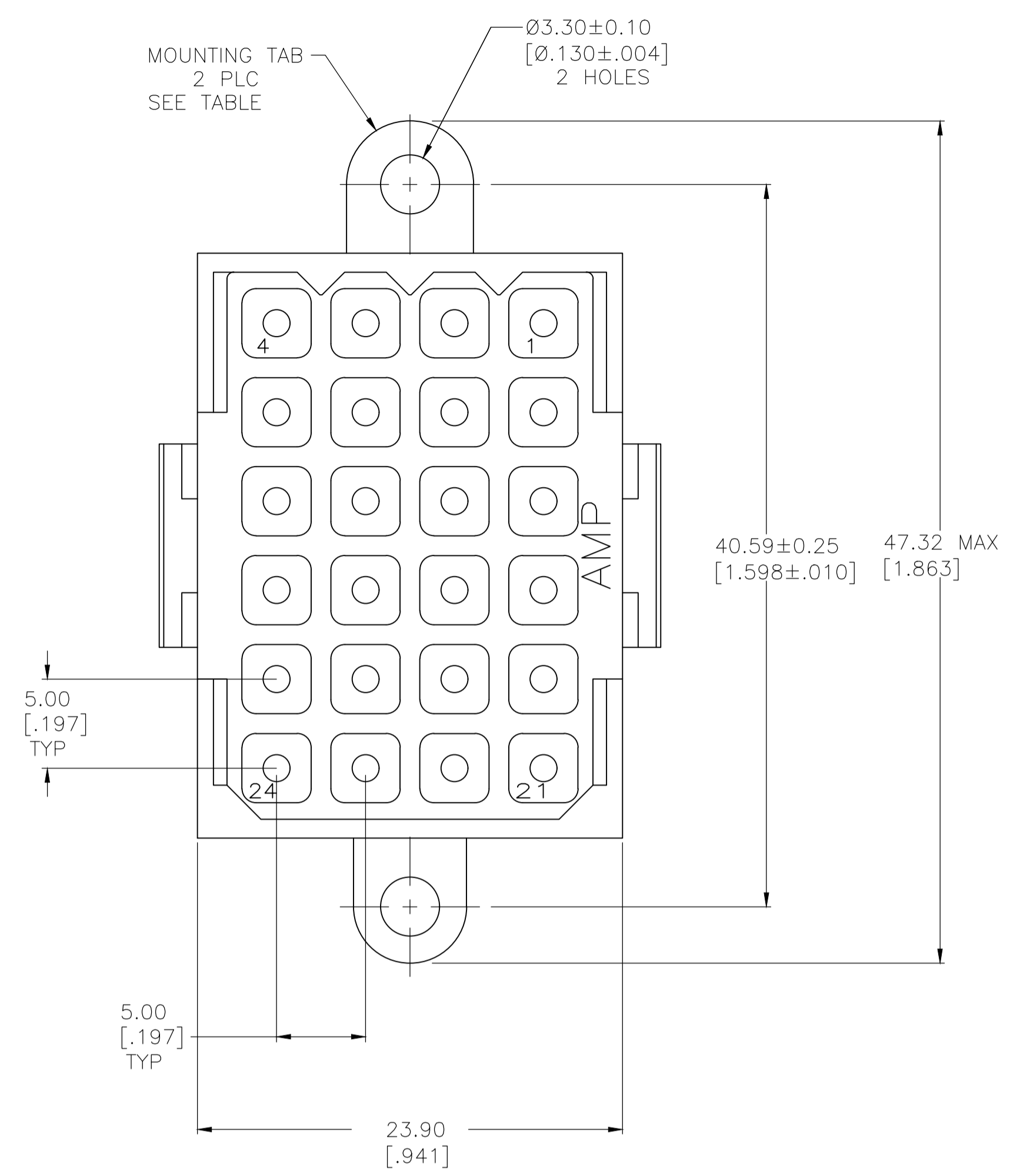
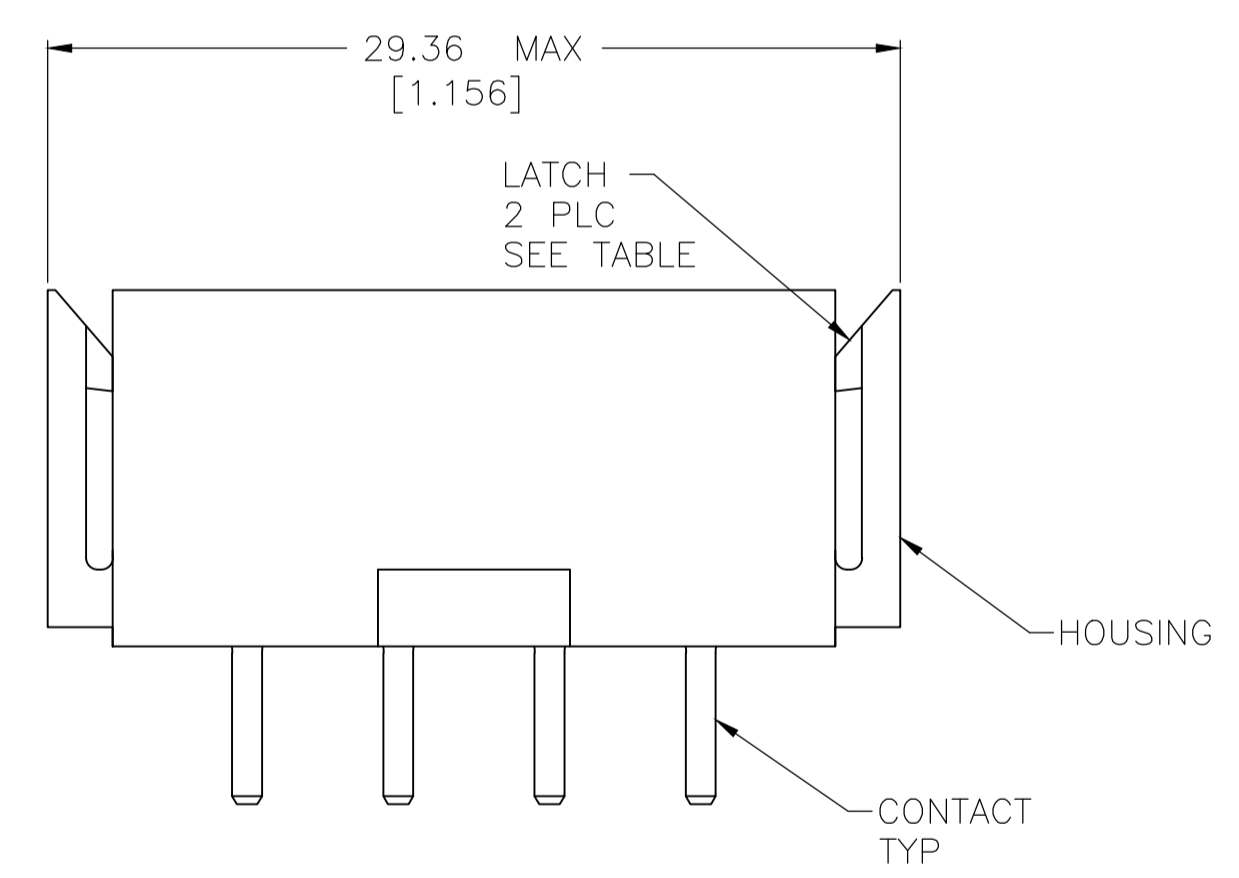


REVISIONS					
P	LTR	DESCRIPTION	DATE	DMN	APVD
AA		REVISED PER ECO-16-011265	12AUG2016	NK	MZ
AB		REV PER ECO-18-000441	23JAN2018	RS	MZ
AC		REVISED PER ECO-20-002045	13FEB2020	RK	MZ



RECOMMENDED PC BOARD LAYOUT



- 1 HOUSING MATERIAL: PA66, BLACK, UL 94 V-0 RATED
- 2 CONTACT MATERIAL: BRASS PER ASTM B36
- 3 3.81µm [0.000150] MIN TIN-LEAD OVER 2.54µm [0.000100] MIN COPPER OR 1.27µm [0.000050] MIN NICKEL.
- 4 0.76µm [0.000030] MIN GOLD FOR A LENGTH OF 5.08 [0.200] FROM MATING END, 3.81µm [0.000150] MIN TIN-LEAD FOR A LENGTH OF 4.83 [0.190] MIN FROM OPPOSITE END, BOTH OVER 1.27µm [0.000050] MIN NICKEL.
- 5 0.38µm [0.000015] MIN GOLD FOR A LENGTH OF 5.08 [0.200] FROM MATING END, 3.81µm [0.000150] MIN TIN-LEAD FOR A LENGTH OF 4.83 [0.190] MIN FROM OPPOSITE END, BOTH OVER 1.27µm [0.000050] MIN NICKEL.
- 6 .000150 MIN TIN OVER .000100 MIN COPPER OR .000050 MIN NICKEL.
- 7 0.76µm [0.000030] MIN GOLD FOR A LENGTH OF 5.08 [0.200] FROM MATING END, 3.81µm [0.000150] MIN TIN FOR A LENGTH OF 4.83 [0.190] MIN FROM OPPOSITE END, BOTH OVER 1.27µm [0.000050] MIN NICKEL.

	11.79[.464]	4.60±0.64[.181±.025]	YES	7	NO	1-206763-4
	11.79[.464]	4.60±0.64[.181±.025]	YES	7	YES	1-206763-3
	11.79[.464]	4.60±0.64[.181±.025]	YES	6	NO	1-206763-2
	11.79[.464]	4.60±0.64[.181±.025]	YES	6	YES	1-206763-1
OBSOLETE	11.79[.464]	4.60±0.64[.181±.025]	NO	5	YES	206763-9
OBSOLETE	13.31[.524]	4.60±0.64[.181±.025]	YES	3	NO	206763-8
OBSOLETE	11.79[.464]	4.60±0.64[.181±.025]	YES	4	NO	206763-4
OBSOLETE	11.79[.464]	4.60±0.64[.181±.025]	YES	4	YES	206763-3
OBSOLETE	11.79[.464]	4.60±0.64[.181±.025]	YES	3	NO	206763-2
OBSOLETE	11.79[.464]	4.60±0.64[.181±.025]	YES	3	YES	206763-1

THIS DRAWING IS A CONTROLLED DOCUMENT.

DIMENSIONS: mm [INCHES]	TOLERANCES UNLESS OTHERWISE SPECIFIED:	DIN L/SIDE 03/11/92	APVD R.STONE 3-17-92	NAME
0 PLC ± -	1 PLC ± -	2 PLC ± 0.13 [0.005]	3 PLC ± -	4 PLC ± -
CONTACT: SEE TABLE		TE Connectivity PIN HEADER ASSEMBLY, 24 POSITION, METRIMATE 108-10033 APPLICATION SPEC		
MATERIAL	FINISH	WEIGHT	SIZE	CAGE CODE
			A1	00779
CUSTOMER DRAWING		SCALE	SHEET	REV
		4:1	1 OF 1	AC

X-ON Electronics

Largest Supplier of Electrical and Electronic Components

Click to view similar products for [Headers & Wire Housings](#) category:

Click to view products by [TE Connectivity](#) manufacturer:

Other Similar products are found below :

[892-18-020-10-001101](#) [58102-G61-06LF](#) [582553-1](#) [0009485154](#) [009176003701906](#) [0050291907](#) [LY20-4P-DT1-P1E-BR](#) [02.125.8002.8](#)
[609-3404](#) [61062-3](#) [61082-181009](#) [622-3653LF](#) [63453-116](#) [636-1030](#) [636-1427](#) [636-3427](#) [636-4007](#) [641938-9](#) [641991-4](#) [644827-2](#) [65817-010LF](#) [65817-015LF](#) [65863-015LF](#) [66207-023LF](#) [67095-007LF](#) [67601157](#) [68645-018](#) [68648-049](#) [70.362.1628.0](#) [70-4210](#) [70-4226B](#) [70-4853B](#) [707-5020](#) [707-5028](#) [71.350.2428.0](#) [71918-208LF](#) [71961-016LF](#) [733-134](#) [733-162](#) [754199-000](#) [760-3052](#) [787-8014-00](#) [79531-3000](#)
[FCN-360C032-B](#) [FCN-367T-T012/H](#) [FCN-723D010/2](#) [80.063.4001.1](#) [800-90-001-10-001000](#) [800-90-010-10-002000](#) [801-43-002-10-013000](#)