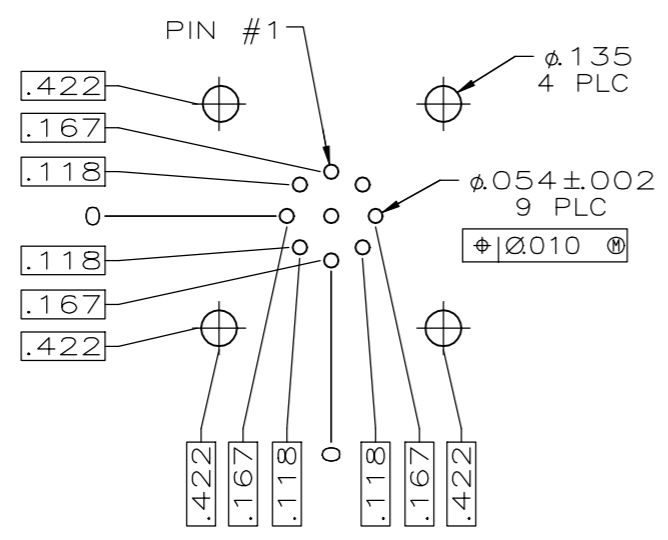
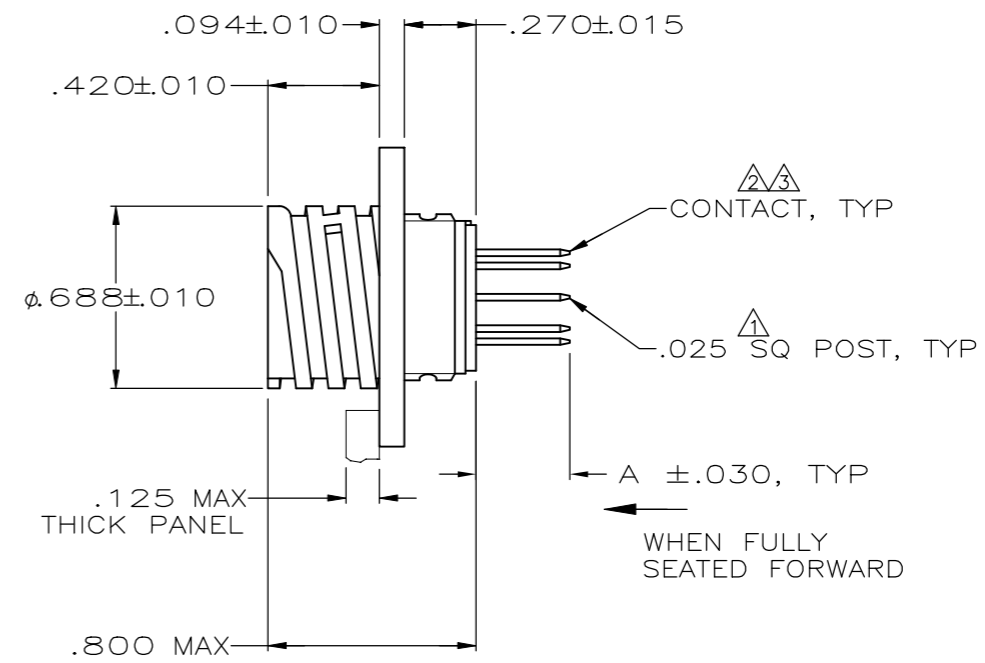
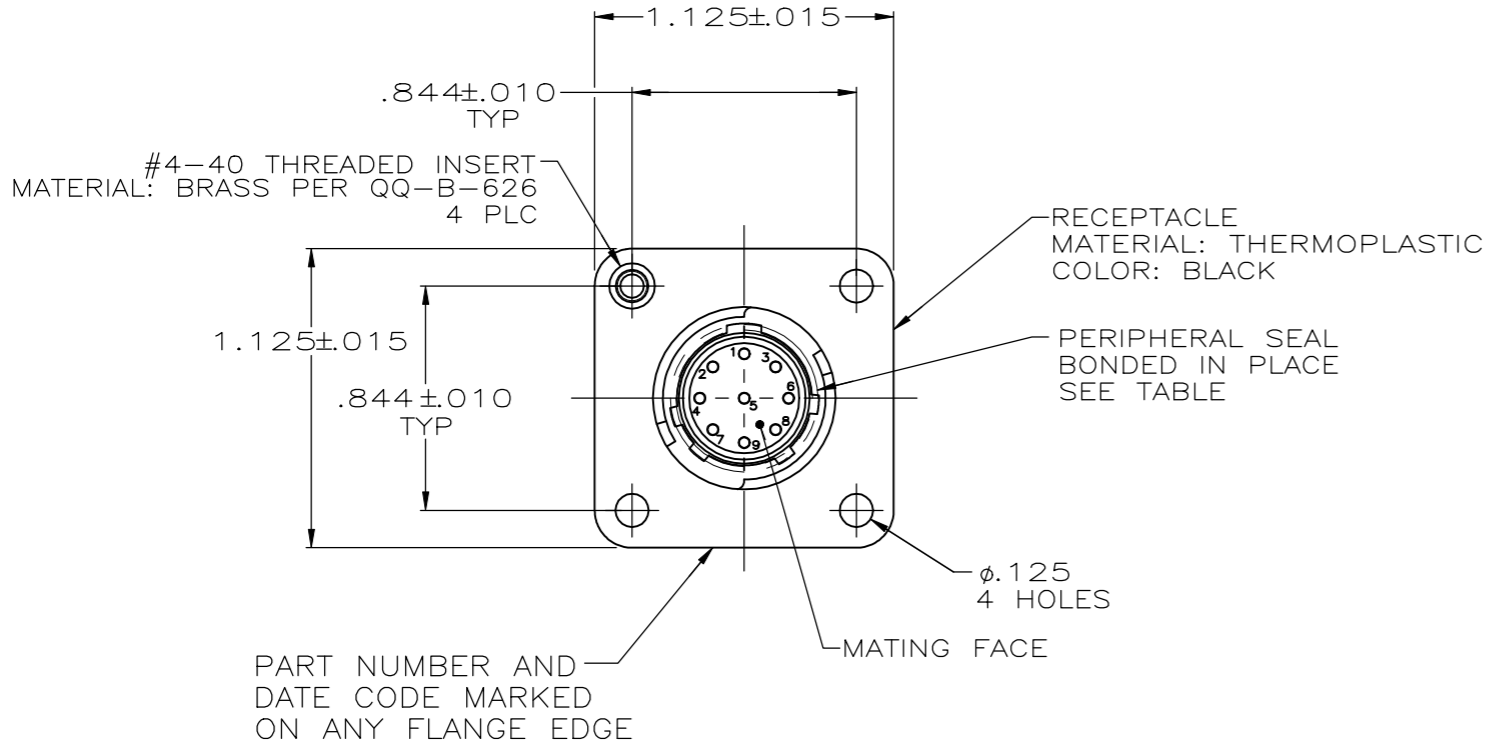


REVISIONS					
P	LTR	DESCRIPTION	DATE	DWN	APVD
T2		REVISED PER ECO-16-004800	12SEP2016	NK	MZ
U		REVISED PER ECO-17-004657	05APR2017	RS	MZ
U1		REVISED PER ECO-17-015159	16OCT2017	RS	MZ
V		REVISED PER ECO-18-015539	04OCT2018	RS	MZ

- 1 POSTS WILL BE ORIENTED WITH SEAM TOWARD INK STAMPED EDGE, OR ROTATED 180°.
- 2 .000030 MIN GOLD FOR A LENGTH OF .200 MIN FROM MATING END, .000100 MIN TIN-LEAD FOR A LENGTH OF DIMENSION 'A' FROM OPPOSITE END, ALL OVER .000050 MIN NICKEL.
- 3 .000030 MIN GOLD FOR A LENGTH OF .200 MIN FROM MATING END, .000100 MIN TIN FOR A LENGTH OF DIMENSION 'A' FROM OPPOSITE END, ALL OVER .000050 MIN NICKEL.



RECOMMENDED PC BOARD LAYOUT

	CONTACT FINISH	DIM A	PERIPHERAL SEAL	THREADED INSERTS	PART NUMBER
	3	.125	NO	NO	1-206852-2
	3	.352	NO	NO	1-206852-1
OBSOLETE	2	.125	YES	YES	1-206852-0
OBSOLETE	2	.796	YES	YES	206852-9
	-	-	NO	YES	206852-8
OBSOLETE	2	-	NO	NO	206852-7
OBSOLETE	2	-	NO	NO	206852-6
OBSOLETE	2	-	NO	NO	206852-5
OBSOLETE	2	.352	NO	NO	206852-4
OBSOLETE	2	.574	NO	NO	206852-3
	2	.125	NO	NO	206852-2
OBSOLETE	2	.352	NO	NO	206852-1

THIS DRAWING IS A CONTROLLED DOCUMENT.

DWN: J. GALLUCCI BG 5-22-91
 CHK: W.G. LENKER 4-13-92

APVD: W.G. LENKER

PRODUCT SPEC: 108-10024
 APPLICATION SPEC: -

MATERIAL: SEE CALLOUT
 FINISH: -

WEIGHT: -

CUSTOMER DRAWING

TE Connectivity
 RECEPTACLE ASSEMBLY, POSTED, STD SEX, SERIES 2, 11-9, CPC

SIZE: A2
 CAGE CODE: 00779
 DRAWING NO: C-206852

RESTRICTED TO: -

SCALE: 2:1
 SHEET: 1 of 1
 REV: V

206852

X-ON Electronics

Largest Supplier of Electrical and Electronic Components

Click to view similar products for [Standard Circular Connector](#) category:

Click to view products by [TE Connectivity](#) manufacturer:

Other Similar products are found below :

[5M2530B10P](#) [600259N006](#) [600273N007](#) [6134-336-13149](#) [6134-337-11149](#) [6134-337-2390](#) [6134-341-17149](#) [6280-4SG-516](#) [6280-7SG-3DC](#)
[6290](#) [6291A](#) [66200A-10](#) [680-SMG](#) [681-PMG](#) [CXS3102A14S2P](#) [CXS3102A181S](#) [7271-6SG-300](#) [7282-3PG-300-CH3](#) [75-474014-05S](#) [75-](#)
[474618-01S](#) [75-474618-04P](#) [75-474618-04S](#) [799539-000](#) [MI8-SE](#) [805-005-07NF11-19PC](#) [805-005-07NF15-7PA](#) [8280-4PG-516](#) [8280-7PG-](#)
[519](#) [8282-5PG-519](#) [836783-1](#) [MP-4102-25P-C](#) [862256-1](#) [864019-2](#) [866857-1](#) [867865-1](#) [PT01SP-14-18P](#) [PT08P-14-5S](#) [120-1833-000](#)
[QCM019PC2DC012B](#) [1-2069279-1](#) [121583-0217](#) [121667-0020](#) [129591AU](#) [1000B BULK](#) [RD10A16-19-P6CS051/1](#) [RD10A20-31-](#)
[P8CS051/1](#) [RD16A14-12-S6CS051/2](#) [1301240290](#) [1301240347](#) [1301860202](#) [1301240268](#)