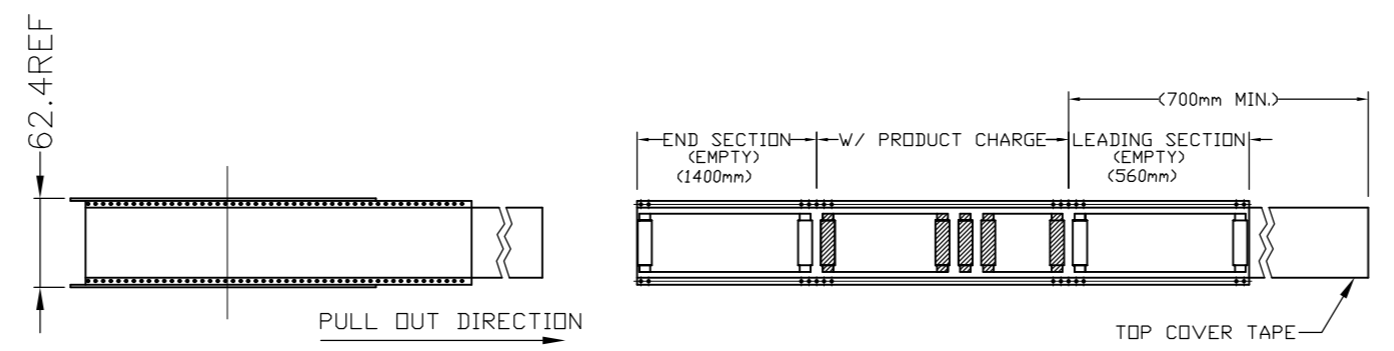
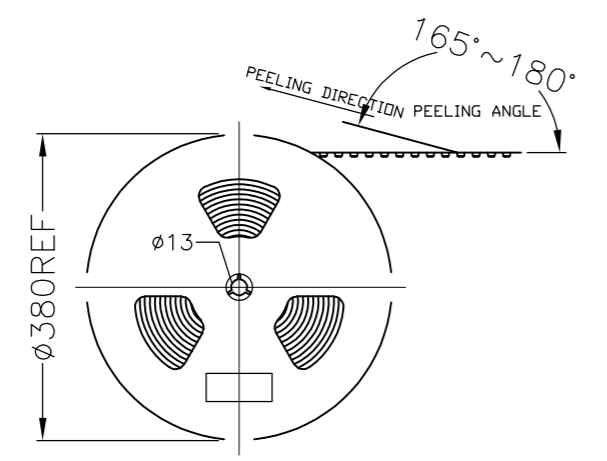
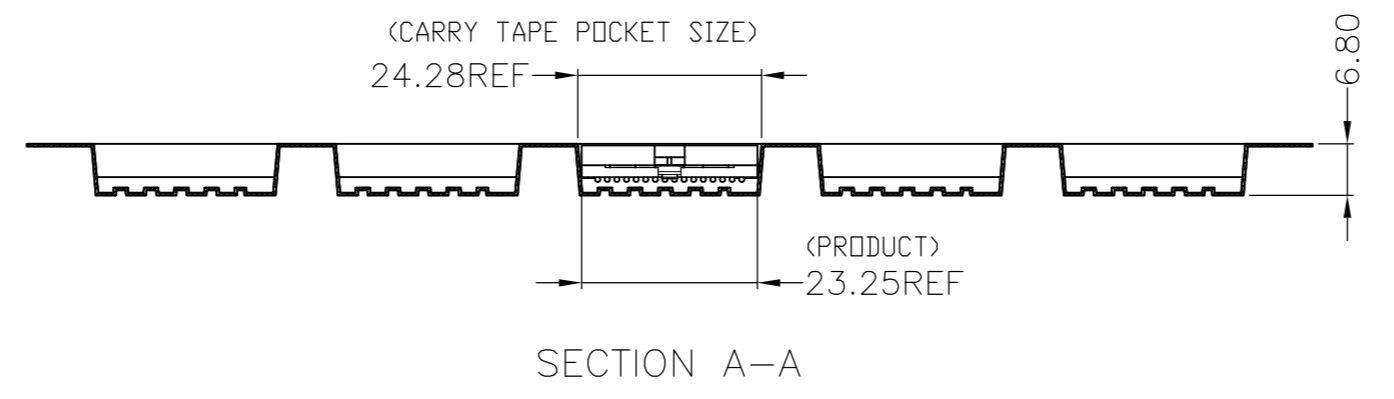
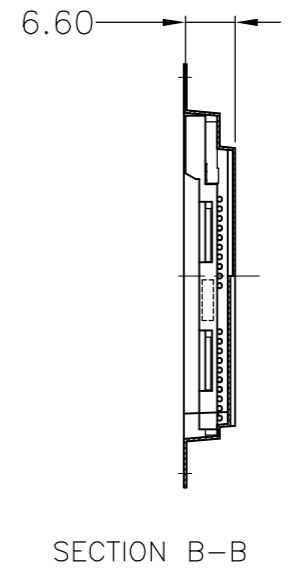
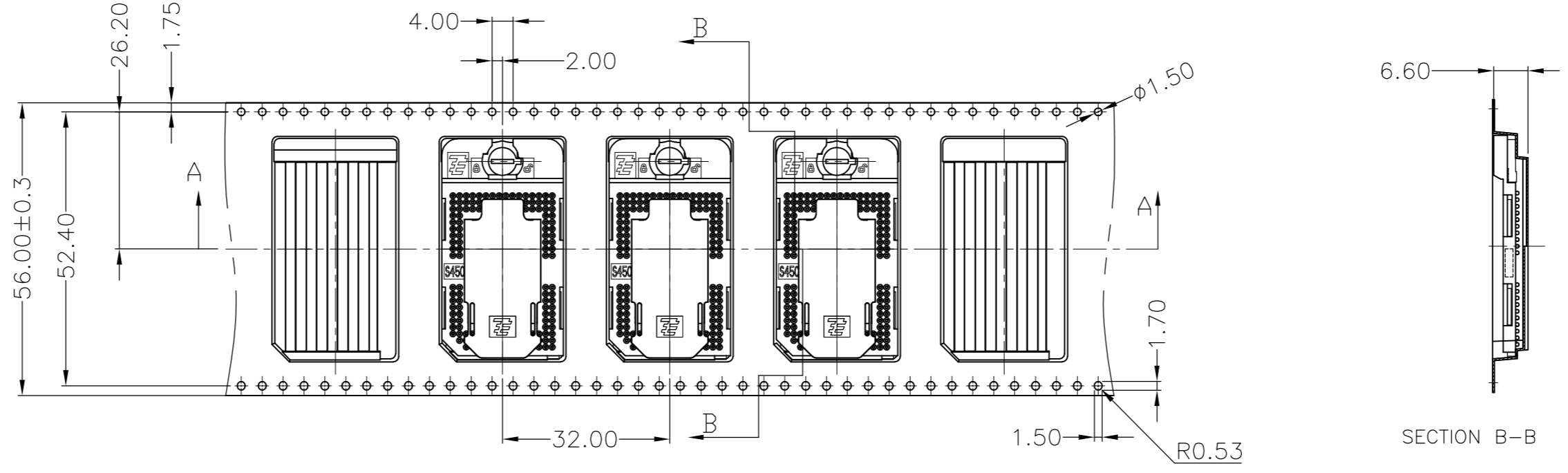


THIS DRAWING IS UNPUBLISHED. RELEASED FOR PUBLICATION  
 © COPYRIGHT - By - ALL RIGHTS RESERVED.

LOC		DIST		REVISIONS			
P	LTR	DESCRIPTION		DATE	DWN	APVD	
B4		REVISED		21MAR2013	M.L	C.W	

# TAPE & REEL PACKAGE:AS SHOWN



PRELIMINARY	1600	TAPE & REEL	Pb-FREE	400	0.25um	1-2069279-2
RELEASE	960	TRAY	Pb-FREE	24	0.25um	1-2069279-1
TOOLING STATUS	FINAL SHIPPING QTY PER CARTON BOX	PACKAGE TYPE	BALL TYPE	QTY PER PACKAGE	GOLD PL. TYPE	PART NO.

THIS DRAWING IS A CONTROLLED DOCUMENT.

DWN	C.DING	02JUL08
CHK	S.HASHIMOTO	02JUL08
APVD	H.SHIRAI	02JUL08
PRODUCT SPEC	108-115011	
APPLICATION SPEC		
TEST REPORT SPEC		

**TE** TE Connectivity

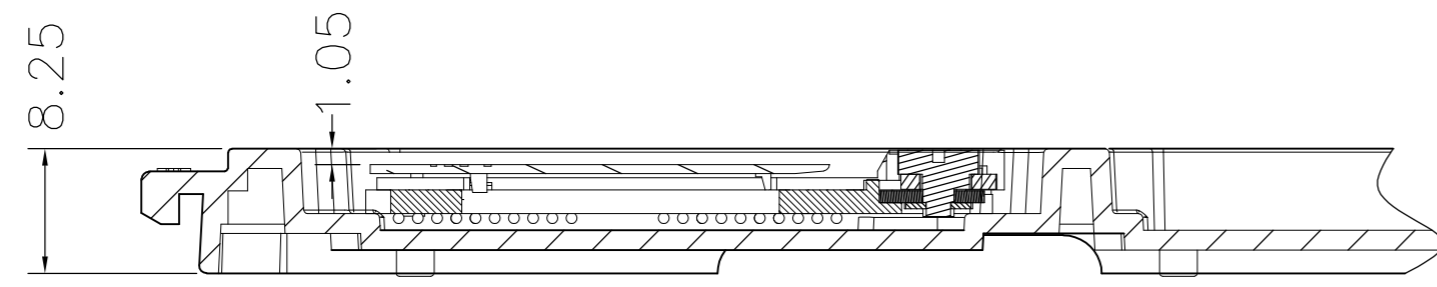
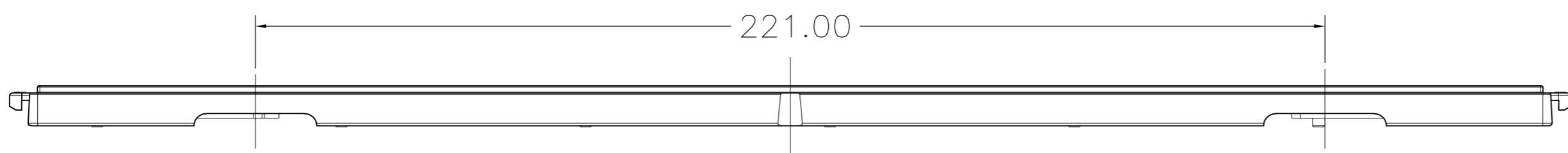
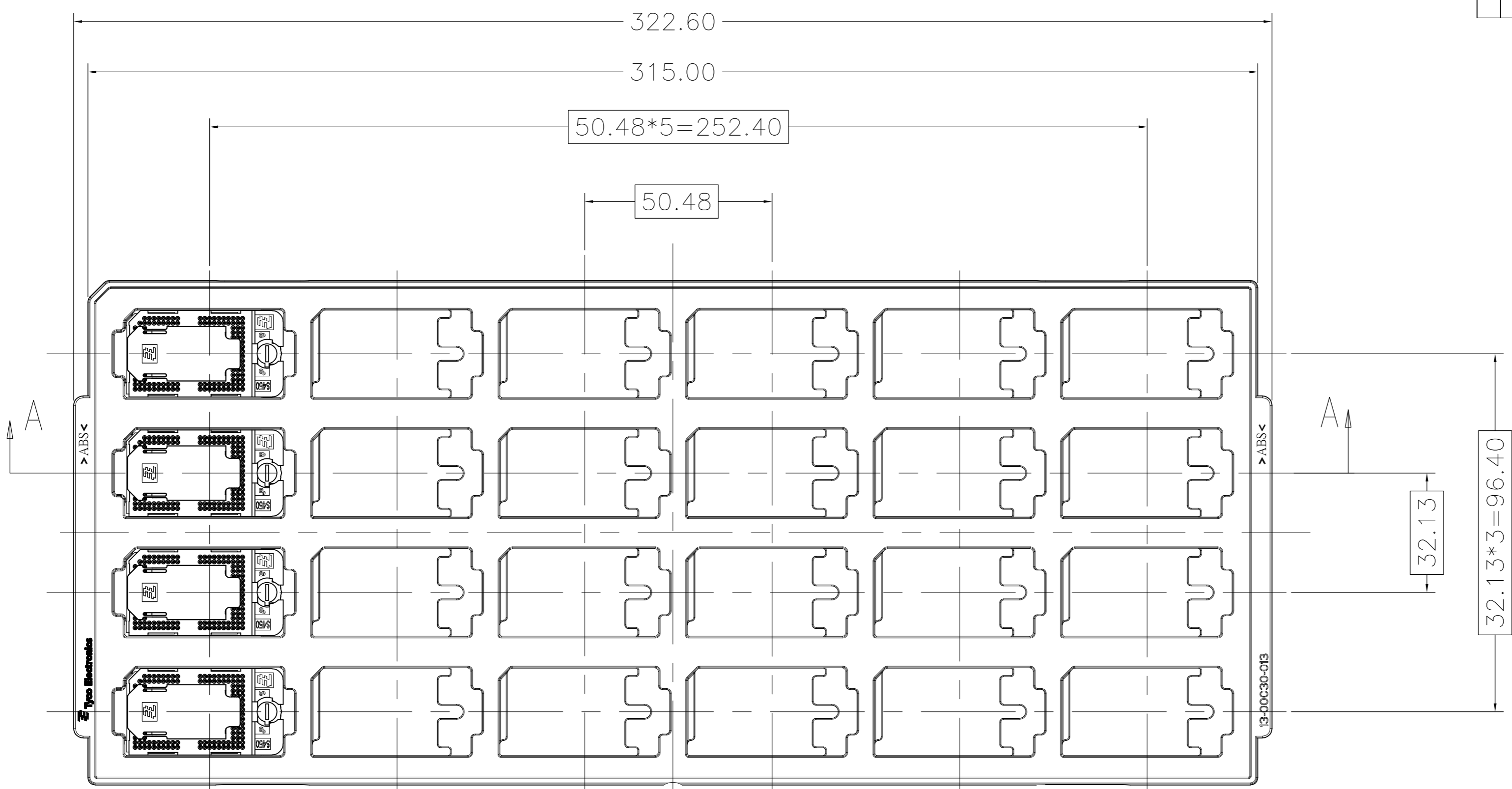
SOCKET ASS'Y WITH PACKAGE  
DMD 450 SOCKET

SIZE	A2	CAGE CODE	00779	DRAWING NO	C-2069279	RESTRICTED TO	-
SCALE	4:1	SHEET	1 of 4	REV	B4		

CUSTOMER DRAWING

THIS DRAWING IS UNPUBLISHED. RELEASED FOR PUBLICATION  
 © COPYRIGHT - By - ALL RIGHTS RESERVED.

LOC		DIST		REVISIONS			
P	LTR	DESCRIPTION	DATE	DWN	APVD		
-	-	SEE SHEET 1	-	-	-		



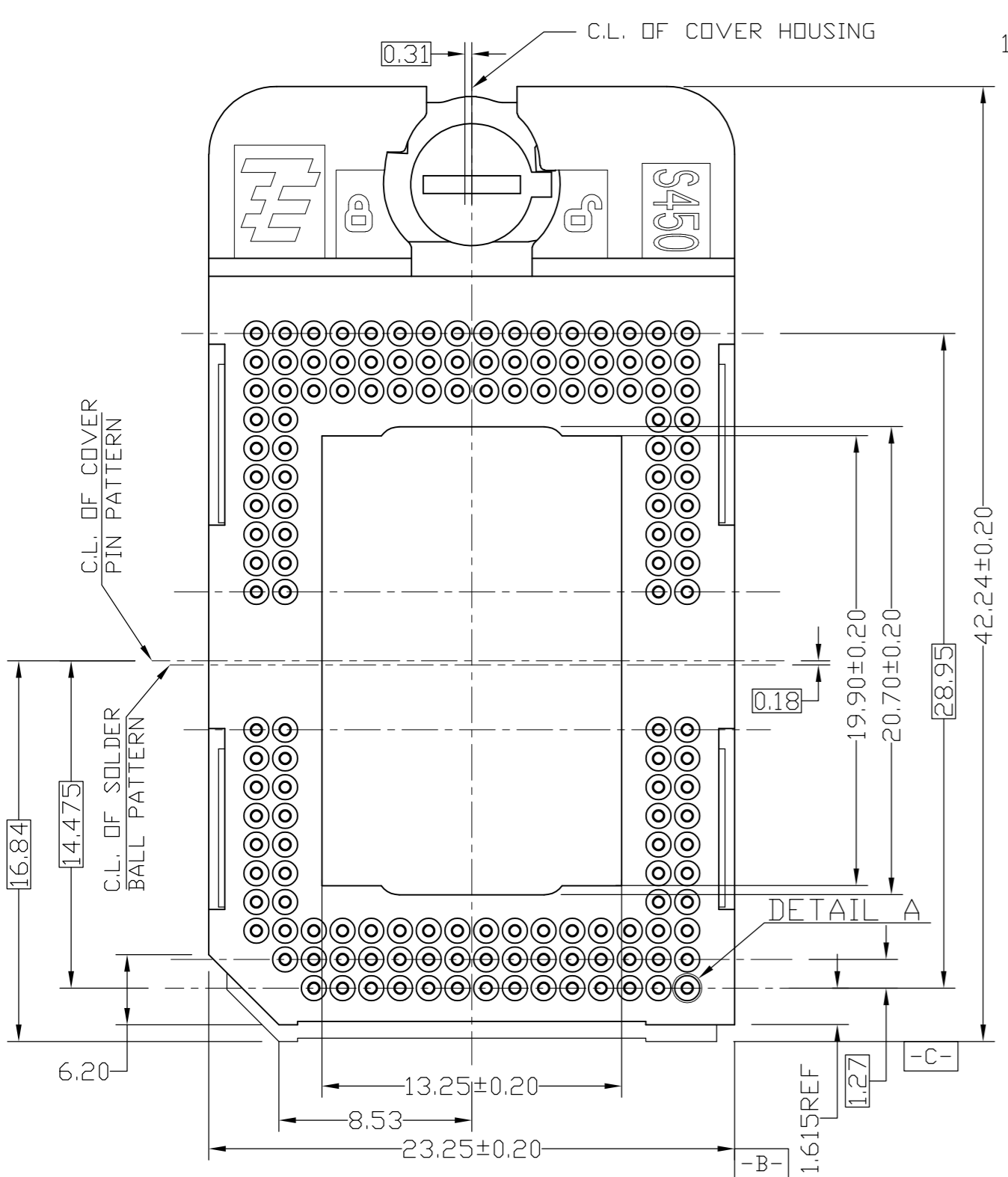
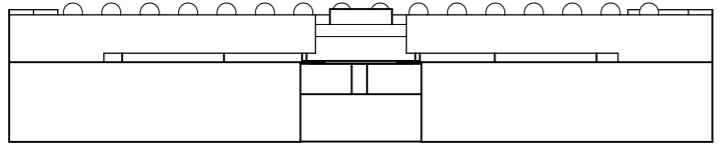
SECTION A-A

TRAY PACKAGE: AS SHOWN

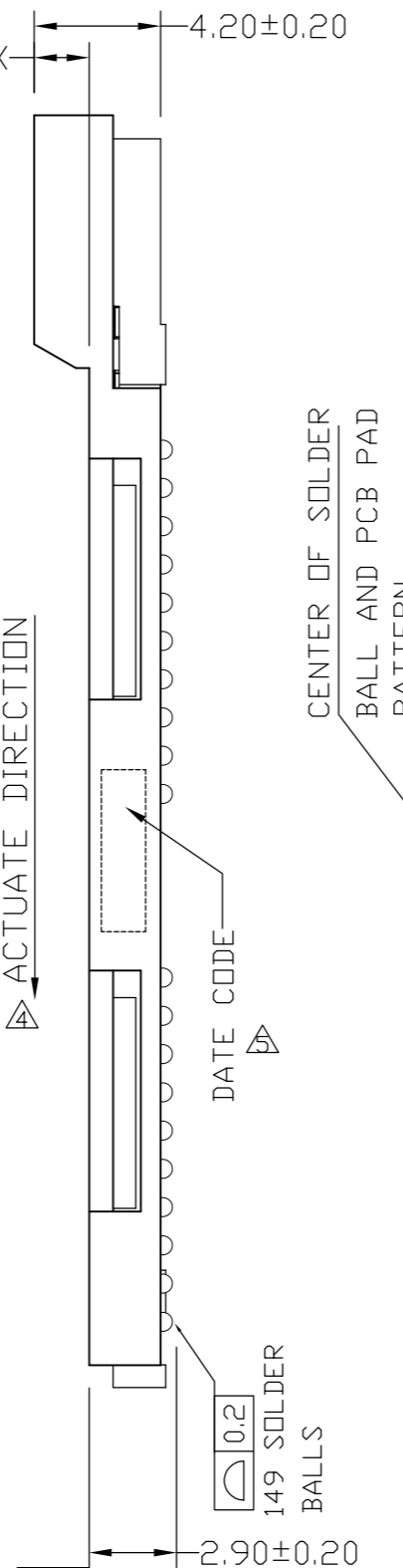
THIS DRAWING IS A CONTROLLED DOCUMENT.		DWN	C.DING	02JUL08		TE Connectivity			
DIMENSIONS: mm		CHK	S.HASHIMOTO	02JUL08		NAME			
TOLERANCES UNLESS OTHERWISE SPECIFIED:		APVD	H.SHIRAI	02JUL08		SOCKET ASS'Y WITH PACKAGE			
0 PLC ± 0.5 1 PLC ± 0.5 2 PLC ± 0.3 3 PLC ± - 4 PLC ± - ANGLES ± 3°		PRODUCT SPEC		DMD 450 SOCKET					
MATERIAL		APPLICATION SPEC		TEST REPORT SPEC		SIZE	CAGE CODE	DRAWING NO	RESTRICTED TO
FINISH		WEIGHT		-		A2	00779	C=2069279	-
1		2		CUSTOMER DRAWING		SCALE	4:1	SHEET	2 of 4
								REV	B4

THIS DRAWING IS UNPUBLISHED. RELEASED FOR PUBLICATION  
 © COPYRIGHT - By - ALL RIGHTS RESERVED.

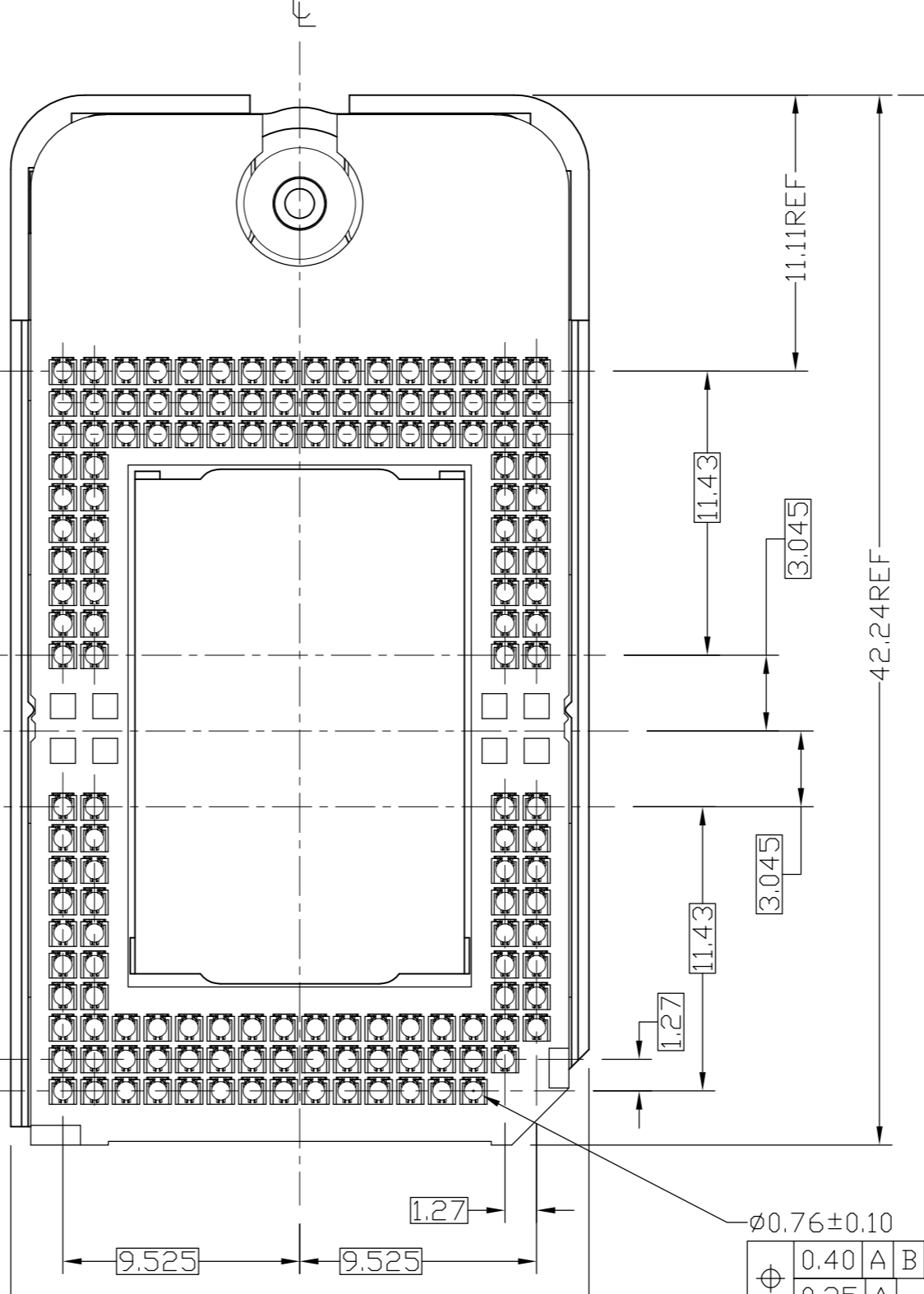
LOC		DIST		REVISIONS			
P	LTR	DESCRIPTION	DATE	DWN	APVD		
-	-	SEE SHEET 1	-	-	-	-	-



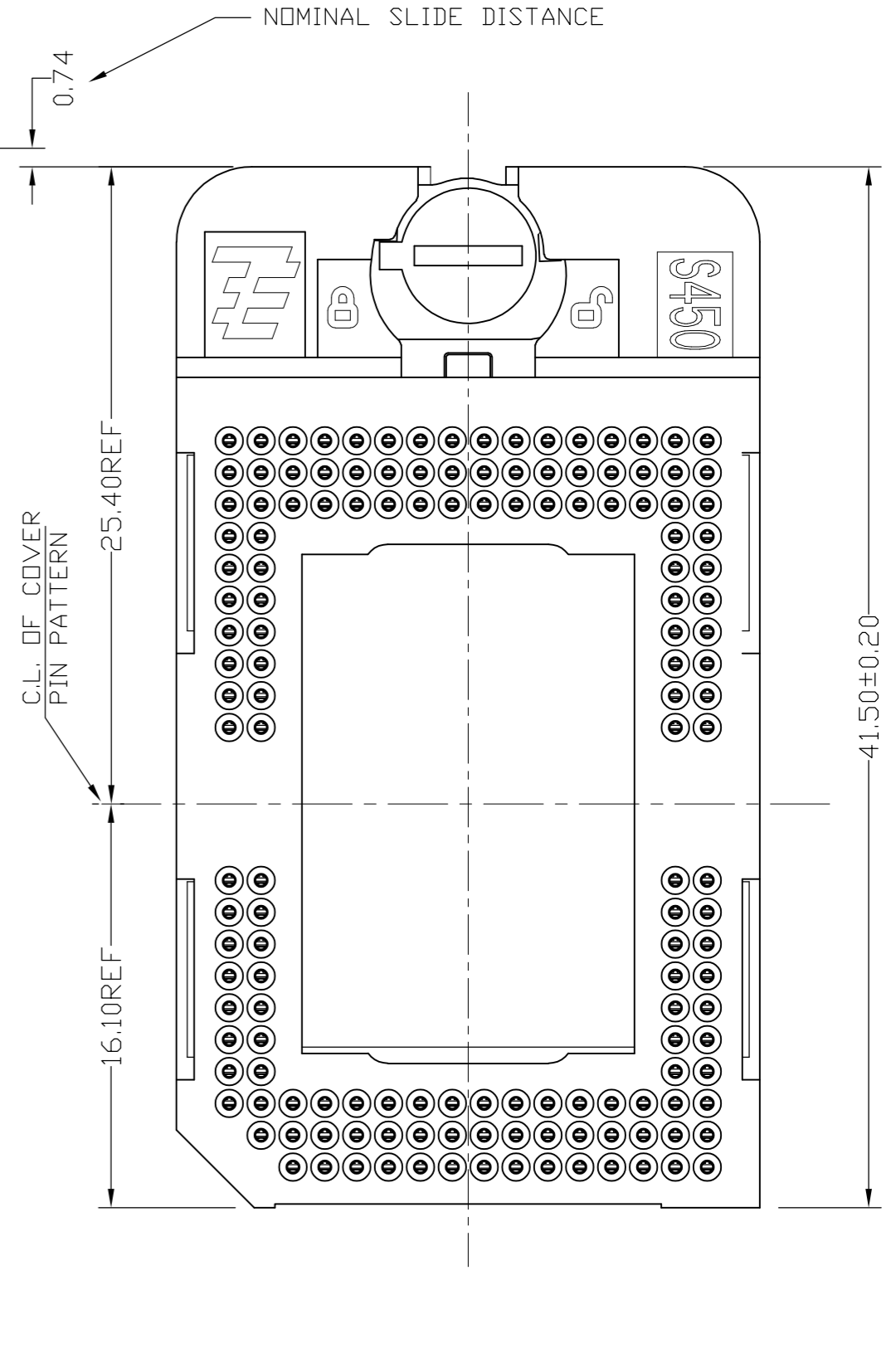
SHOW IN NON-ACTIVATED(OPEN) POSITION



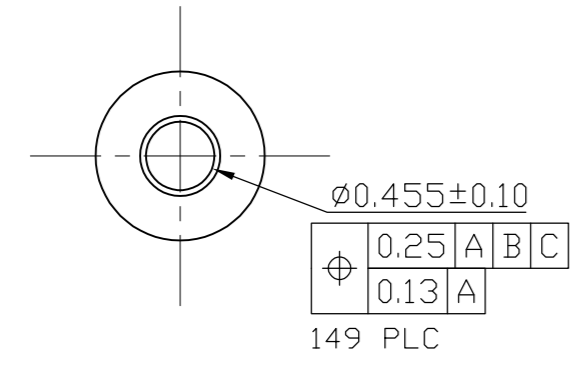
-A- BEFORE SOLDERING PROCESS, 2.70±0.20 AFTER SOLDERING PROCESS



SHOW IN NON-ACTIVATED(OPEN) POSITION



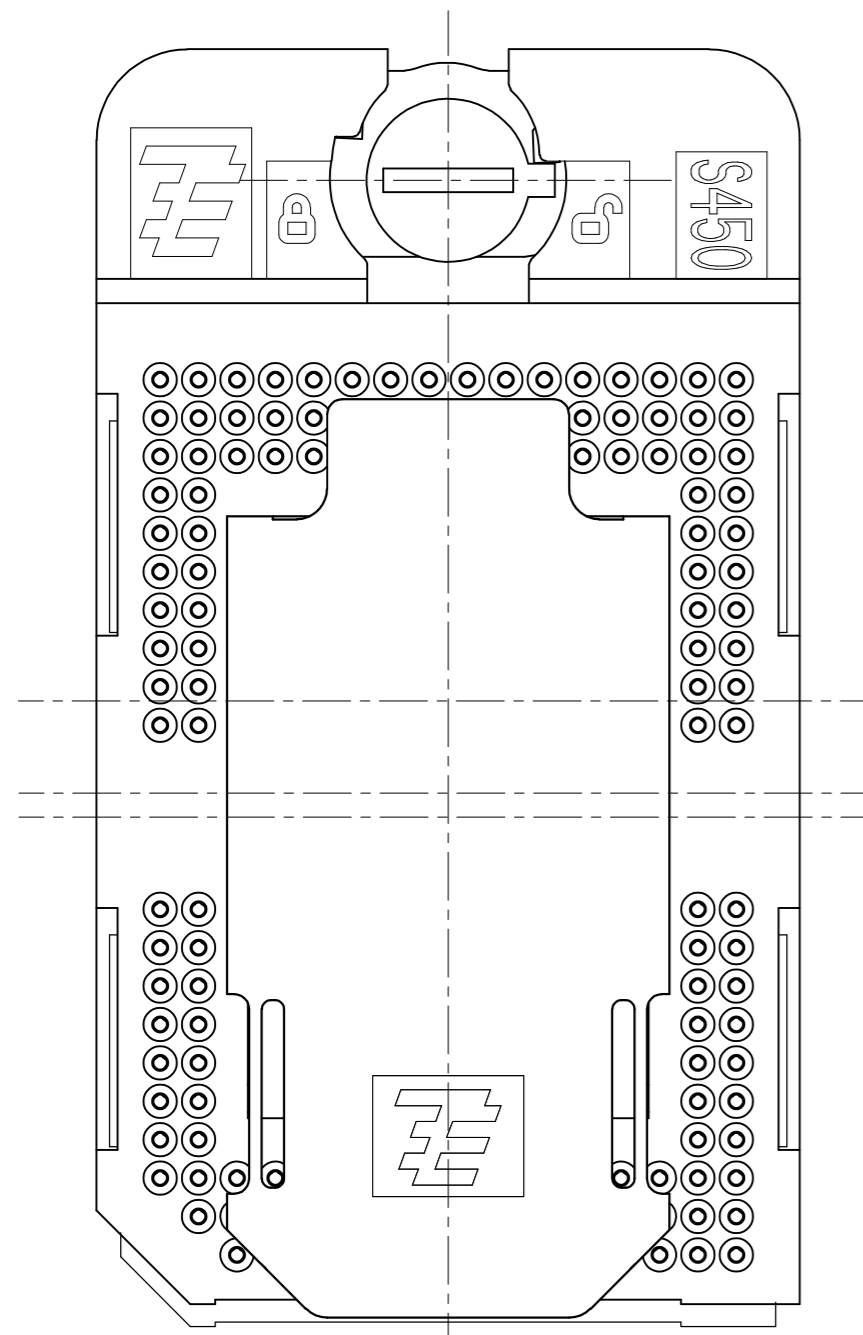
SHOW IN ACTIVATED(CLOSED) POSITION WITHOUT PACKAGE & PICK UP CAP



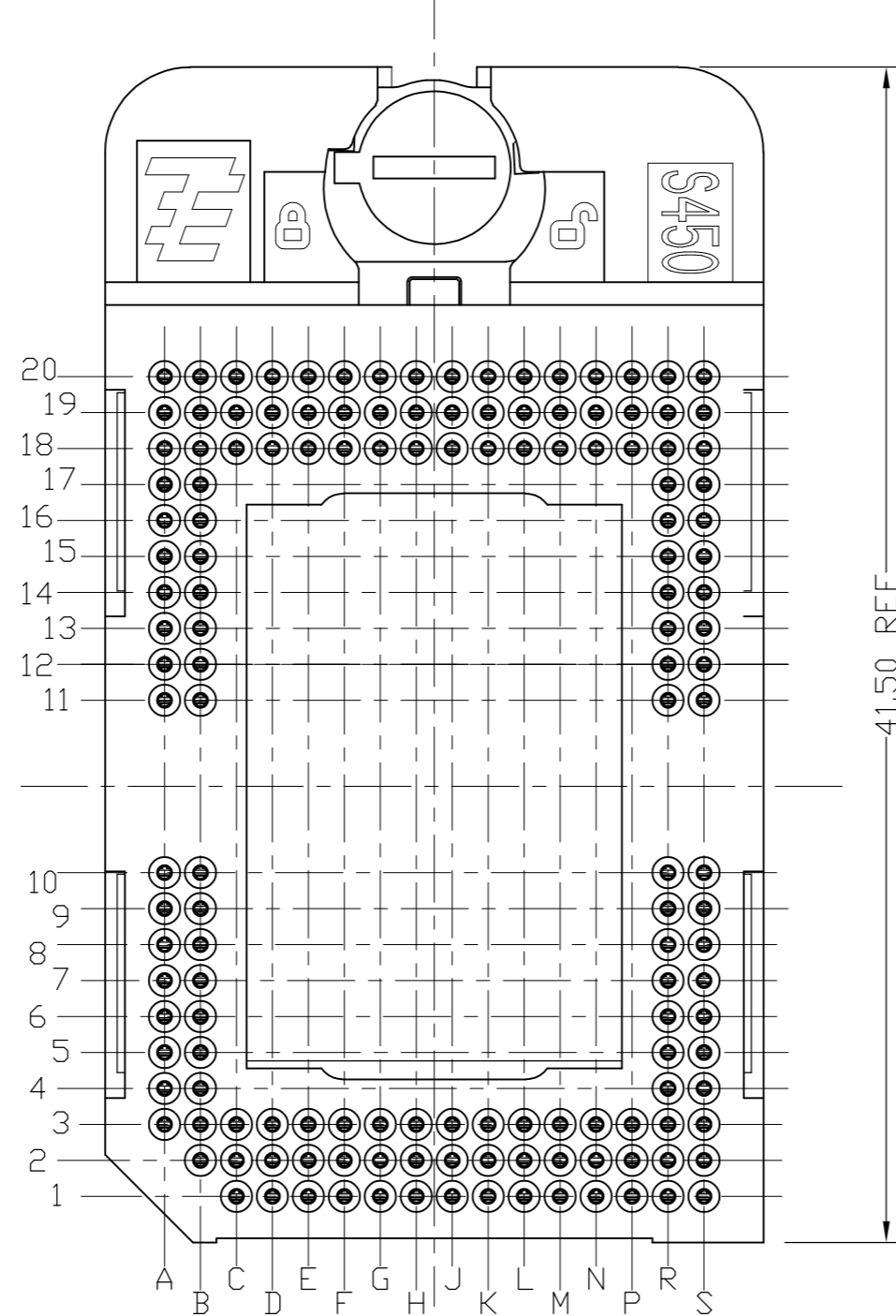
DETAIL A  
SCALE 10:1

THIS DRAWING IS A CONTROLLED DOCUMENT.		DWN	-			TE Connectivity	
DIMENSIONS: mm		CHK	-			NAME	
TOLERANCES UNLESS OTHERWISE SPECIFIED:		APVD	-	PRODUCT SPEC		SIZE	A2
0 PLC	± 0.3	APPLICATION SPEC		CAGE CODE	00779	DRAWING NO	C=2069279
1 PLC	± 0.3	MATERIAL		RESTRICTED TO	-	CUSTOMER DRAWING	
2 PLC	± 0.3	FINISH		SCALE	4:1	SHEET	3 OF 4
3 PLC	± 0.3	WEIGHT		REV	B4		
4 PLC	± -	CUSTOMER DRAWING					
ANGLES	± 3°						

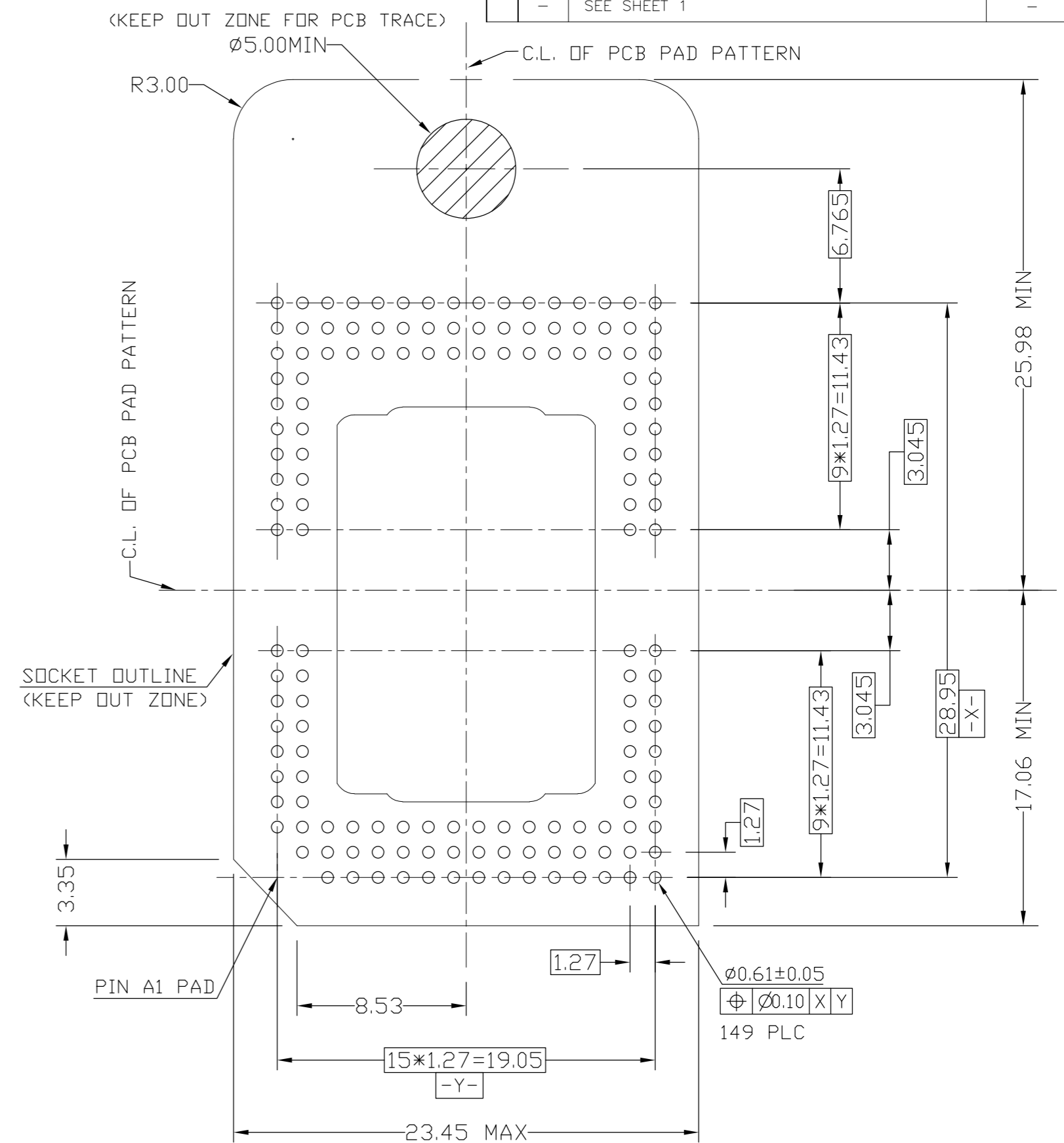
LOC		DIST		REVISIONS			
ES	-	P	LTR	DESCRIPTION	DATE	DWN	APVD
		-	-	SEE SHEET 1	-	-	-



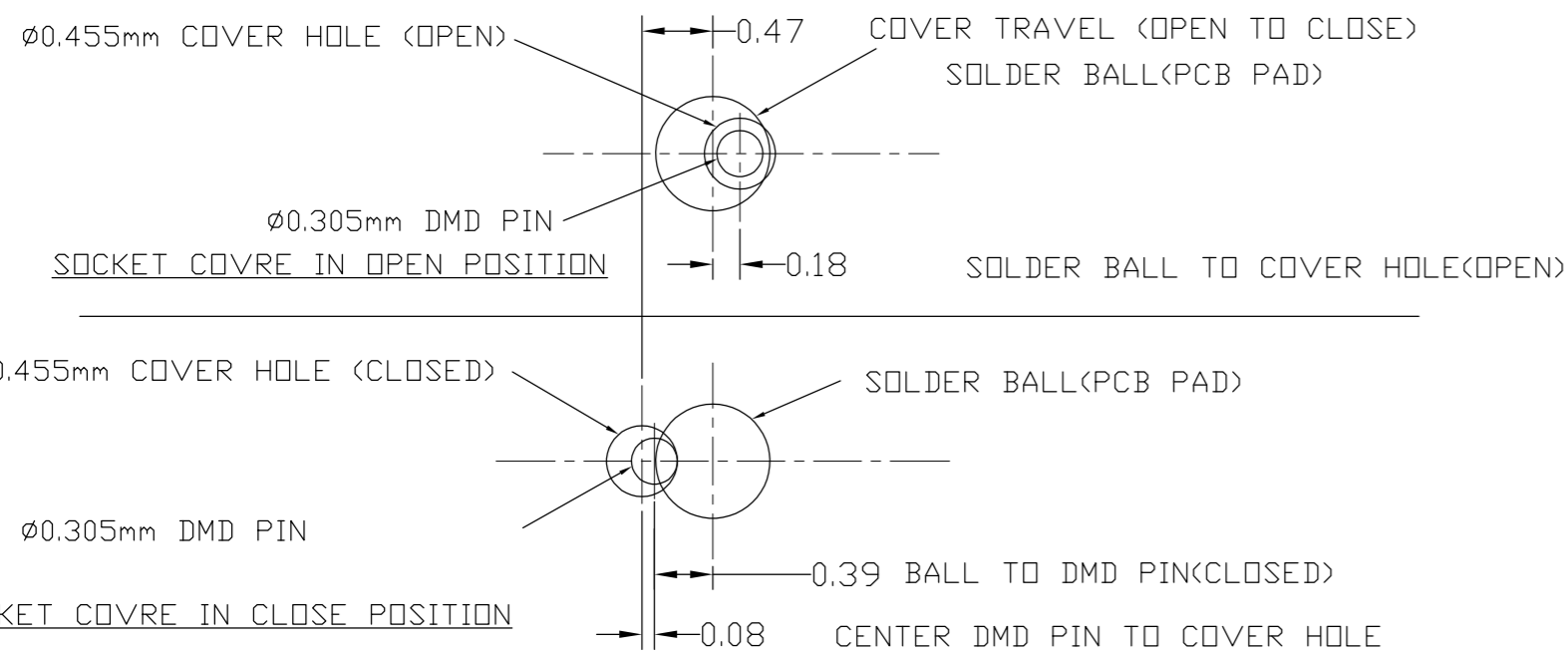
SHOW IN FINAL SHIPPING CONDITION  
(SOCKET WITH PICK UP CAP TYPE)



SHOW IN ACTIVATED (CLOSED) POSITION  
WITH CIRCUIT SYMBOLS



REFERENCE DIM. OF PC BOARD LAYOUT



SOCKET COVER & SOLDER BALL RELATED POSITION  
ON OPEN & CLOSE POSITION (WITH CPU PACKAGE)

NOTES:

⚠ MATERIAL:

- COVER HOUSING: HIGH TEMPERATURE THERMO-PLASTIC UL94V-0, COLOR: WHITE
- BASE HOUSING: HIGH TEMPERATURE THERMO-PLASTIC UL94V-0, COLOR: BLACK
- M-PGA-PICK UP CAP: HIGH TEMPERATURE THERMO-PLASTIC UL94V-0, COLOR: BLACK
- CONTACT: COPPER ALLOY
- COVER SUPPORT PLATE: STAINLESS STEEL
- BASE SUPPORT PLATE: STAINLESS STEEL
- CAM: STAINLESS STEEL
- WASHER: STAINLESS STEEL
- SOLDER BALL: Sn-Ag-Cu(Pb FREE), SPHERE:  $\phi 0.76 \pm 0.02$ mm.

⚠ FINISH:

GOLD PLATING AT PLATING AREA.

3. USER INTERFACE

- A) FLAT HEAD SCREW DRIVER TO ACTUATE
- B) CLOCKWISE TO "LOCK", COUNTER-CLOCKWISE TO "OPEN"
- C) 180 DEGREE BETWEEN "LOCK" AND "OPEN"
- ⚠ ACTUATION DIRECTION AS SHOWN.
- ⚠ DATE CODE AREA

THIS DRAWING IS A CONTROLLED DOCUMENT.		DWN	-	 TE Connectivity	NAME			RESTRICTED TO		
DIMENSIONS: mm		CHK	-		SOCKET ASS'Y WITH PACKAGE				A2	
TOLERANCES UNLESS OTHERWISE SPECIFIED:		APVD	-		DMD 450 SOCKET					00779
0 PLC ± 0.3		PRODUCT SPEC	-		DRAWING NO					
1 PLC ± 0.3		APPLICATION SPEC	-	SIZE	CAGE CODE	DRAWING NO	4:1			
2 PLC ± 0.3		WEIGHT	-	A2	00779	C=2069279		4 OF 4		
3 PLC ± 0.3		CUSTOMER DRAWING	-	SCALE	SHEET	REV			B4	
4 PLC ± -			-	4:1	4 OF 4	B4				
ANGLES ± 3°			-							
FINISH			-							

## X-ON Electronics

Largest Supplier of Electrical and Electronic Components

*Click to view similar products for [Standard Circular Connector](#) category:*

*Click to view products by [TE Connectivity](#) manufacturer:*

Other Similar products are found below :

[C015](#) [10F006](#) [001](#) [1](#) [5M2530B10P](#) [600247N007](#) [600259N006](#) [600273N007](#) [600432N009](#) [6280-2PG-519](#) [6280-3PG-311](#) [6280-3SG-311](#)  
[6280-7SG-3DC](#) [6280-7SG-522](#) [6282-5PG-311](#) [6282-6PG-519](#) [6282-8SG-311](#) [6283-11](#) [6283-15](#) [6290](#) [6293](#) [6382-2PG-311](#) [6382-2PG-3DC](#)  
[6382-2SG-321](#) [6382-2SG-3DC](#) [6382-4SG-516](#) [67-03E20-37P](#) [681-PMG](#) [CXC3106A1811S](#) [CXS3102A14S2P](#) [CXS3102A181S](#)  
[CXS3106A14S6S](#) [D38999/20FC8SA L/C](#) [MB12P-1](#) [MB12R-6](#) [7251-2PG-300](#) [7251-2SG-300](#) [7251-4PG-300](#) [7251-4SG-300](#) [7251-5PG-300](#)  
[7251-5SG-300](#) [7251-6SG-300](#) [7251-7PG-300](#) [7251-8PG-300](#) [7271-6SG-300](#) [7282-3PG-300-CH3](#) [73000005663](#) [75-190011-03P](#) [75-190216-08S](#) [75-190218-10P](#) [75-214636-52P](#) [75-474118-10P](#) [75-474211-03P](#)