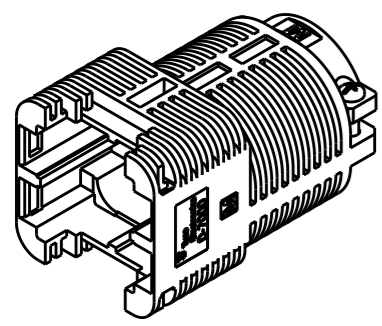


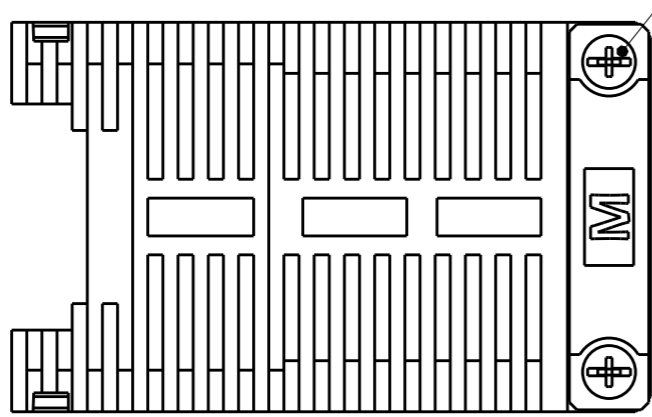
THIS DRAWING IS UNPUBLISHED. RELEASED FOR PUBLICATION 20  
 © COPYRIGHT 20 BY Tyco Electronics Japan G.K. ALL RIGHTS RESERVED.

LOC	DIST	REVISIONS					
		P	LTR	DESCRIPTION	DATE	DWN	APVD
J	-		D	REVISED	07JAN2013	H.U	N.Y

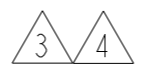
### CLAMP COVER ASSY



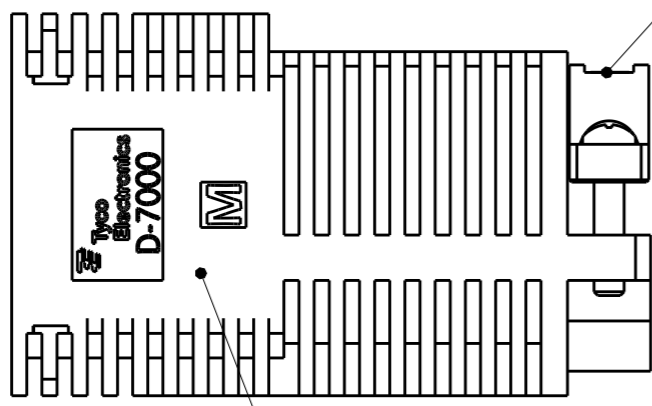
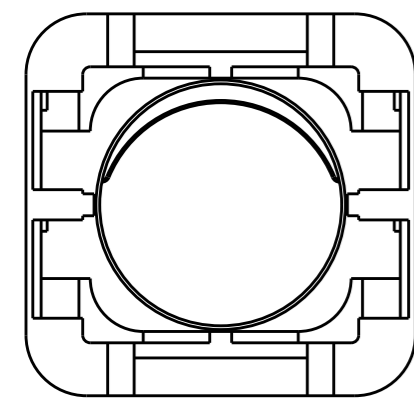
SCALE 1:2



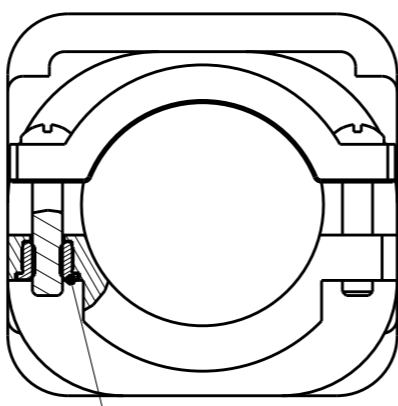
SCREW M4  
 STEEL (FINISH: BLACK OXIDE)



CLAMP SADDLE HSG  
 GF THERMOPLASTIC 94V-0



CLAMP COVER HSG  
 GF THERMOPLASTIC 94V-0



INSERT NUT M4  
 BRASS



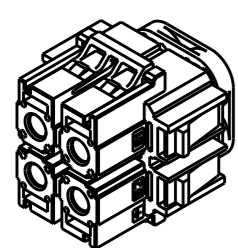
1. THE SHAPE, SIZE AND POSITION OF THE CHARACTER SHOW THE OUTLINE. THEY DON'T SHOW DETAILS.
  2. CONTACT OUR SALES ABOUT ANOTHER KEYING PRODUCT.
- △3 MATERIAL.  
 △4 FINISH.

AS SHOWN : 1-2069313-1

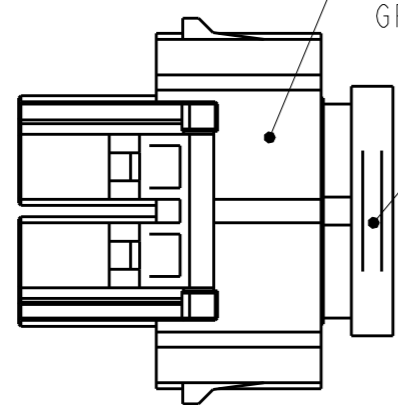
APPLICATED CABTIRE CABLE  
 INSULATION DIA  
 SIZE S : Ø19~25  
 SIZE M : Ø25~31

APPLICATED SOCKET CONTACTS  
 1871132-\*

### SOCKET HSG ASSY



SCALE 1:2

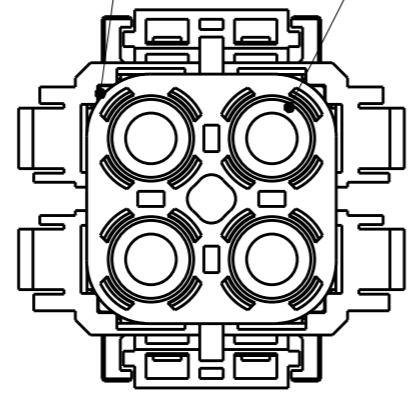
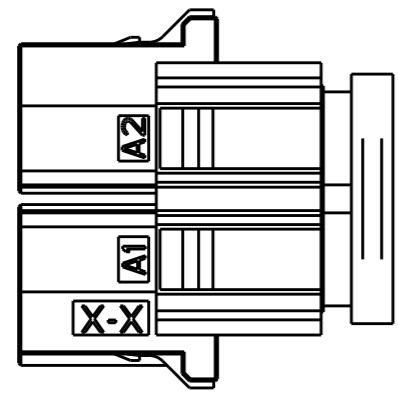
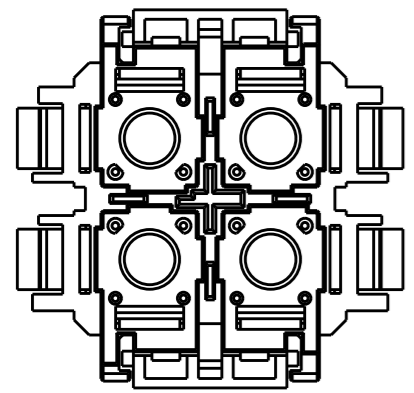


SOCKET BODY HSG  
 GF THERMOPLASTIC 94V-0

CYLINDER HSG  
 GF THERMOPLASTIC 94V-0

PLATE COVER HSG  
 GF THERMOPLASTIC 94V-0

RETENTION PLATE  
 STAINLESS STEEL



THIS DRAWING IS A CONTROLLED DOCUMENT.

DIMENSIONS: mm	TOLERANCES UNLESS OTHERWISE SPECIFIED: ±1.0, ±5°
	0-PLC ±
	1-PLC ±0.1
	2-PLC ±0.01
	3-PLC ±0.001
	4-PLC ±0.0001
	ANGLES ±
MATERIAL △3	FINISH △4

DWN	M. MAEBASHI	31JUL2010
CHK	N. YAMASAKI	31JUL2010
APVD	N. YAMASAKI	31JUL2010
PRODUCT SPEC	108-78470	
APPLICATION SPEC	114-5452	
WEIGHT	-	
CUSTOMER DRAWING		

XX	25~31	1-2069313-1
XX	19~25	2-2069313-1
KEY	APPLICATED INSULATION DIA	PART NO



NAME DYNAMIC D7000 SERIES DYNA-CLAMP KIT 7100 TYPE			
SIZE A3	CAGE CODE 00779	DRAWING NO C-2069313	RESTRICTED TO -
SCALE 1:1		SHEET 1 OF 2	REV D

THIS DRAWING IS UNPUBLISHED.

RELEASED FOR PUBLICATION

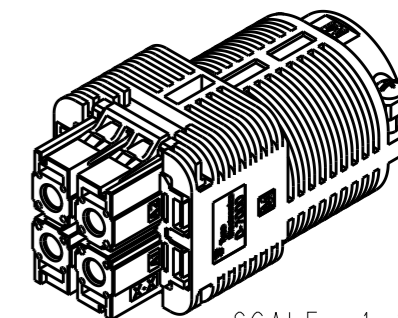
20

© COPYRIGHT 20 BY Tyco Electronics Japan G.K. ALL RIGHTS RESERVED.

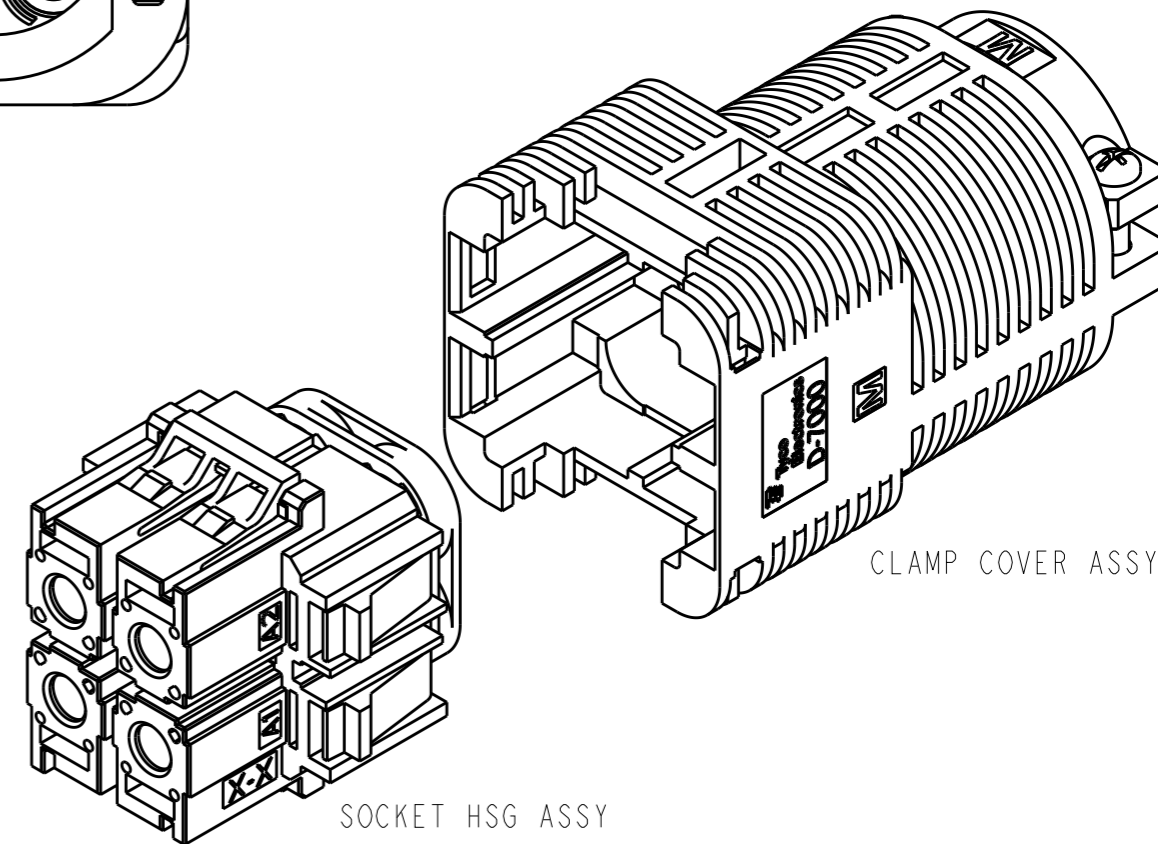
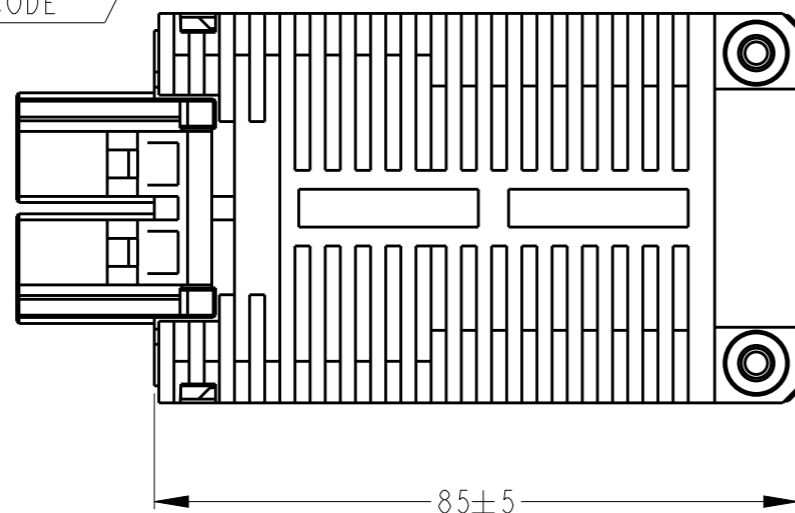
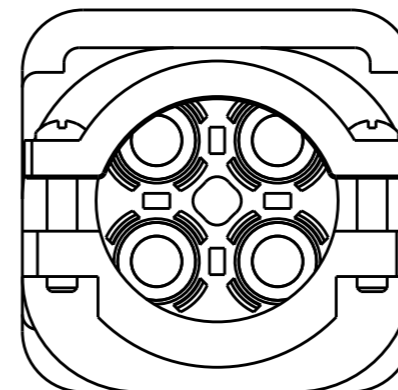
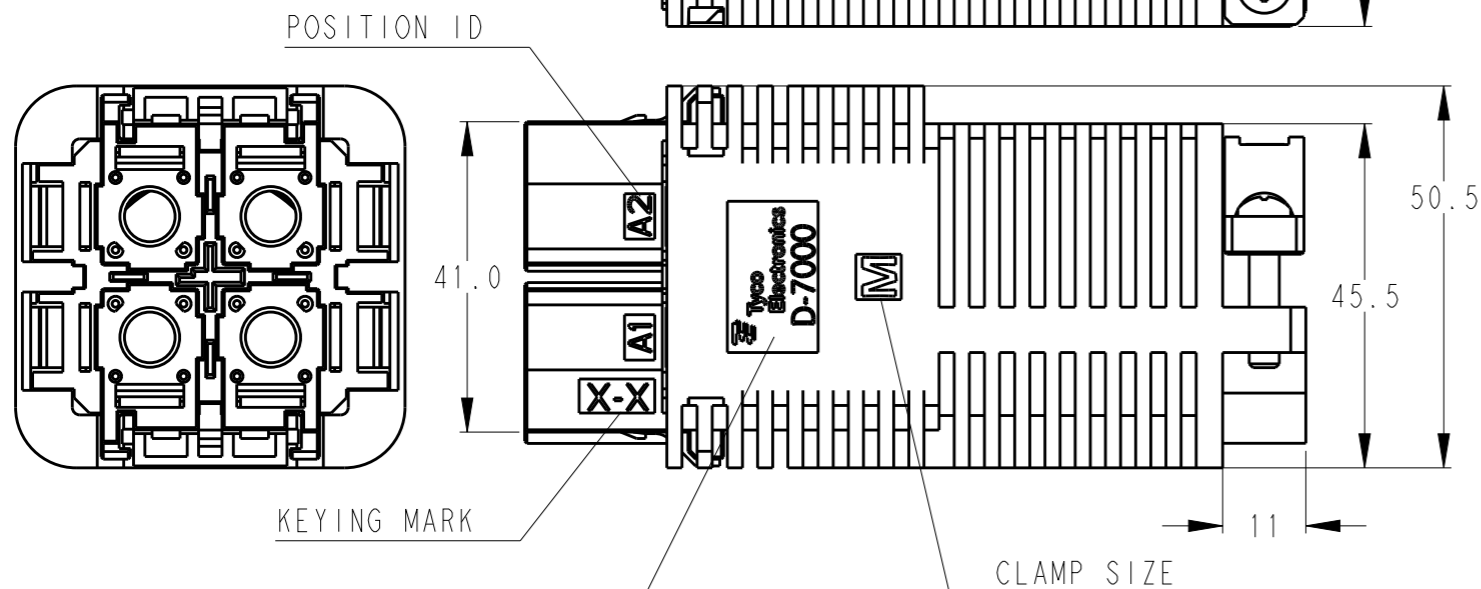
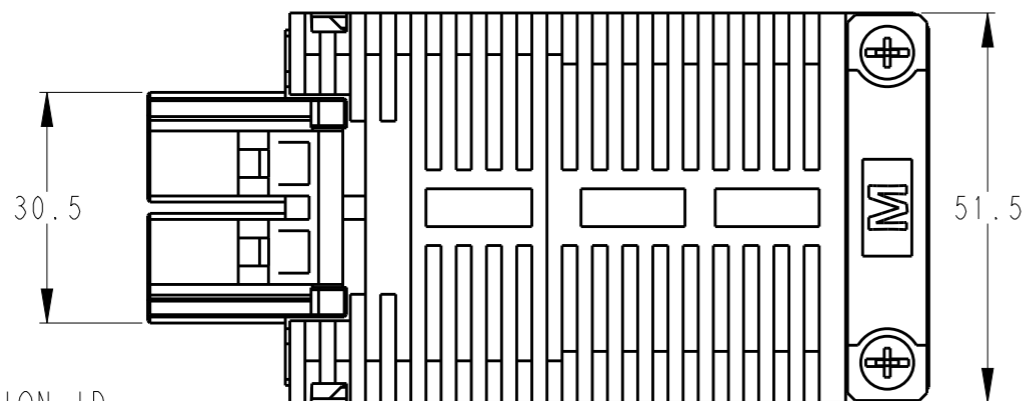
LOC	DIST	REVISIONS			
P	LTR	DESCRIPTION	DATE	DWN	APVD
J	-	SEE SHEET 1 OF 2			

AS SHOWN : 1-2069313-1

APPLICATED CABTIRE CABLE  
 INSULATION DIA  
 SIZE S :  $\varnothing 19\sim 25$   
 SIZE M :  $\varnothing 25\sim 31$




SCALE 1:2



SOCKET HSG ASSY

CLAMP COVER ASSY

THIS DRAWING IS A CONTROLLED DOCUMENT.		DWN M. MAEBASHI 31 JUL 2010	 TE Connectivity													
DIMENSIONS: mm		CHK N. YAMASAKI 31 JUL 2010														
TOLERANCES UNLESS OTHERWISE SPECIFIED: $\pm 1.0, \pm 5^\circ$		APVD N. YAMASAKI 31 JUL 2010	NAME DYNAMIC D7000 SERIES DYNA-CLAMP KIT 7100 TYPE													
<table border="1"> <tr><td>0-PLC</td><td>±</td></tr> <tr><td>1-PLC</td><td>±0.1</td></tr> <tr><td>2-PLC</td><td>±0.01</td></tr> <tr><td>3-PLC</td><td>±0.001</td></tr> <tr><td>4-PLC</td><td>±0.0001</td></tr> <tr><td>ANGLES</td><td>±</td></tr> </table>		0-PLC	±	1-PLC	±0.1	2-PLC	±0.01	3-PLC	±0.001	4-PLC	±0.0001	ANGLES	±	PRODUCT SPEC 108-78470	RESTRICTED TO	
0-PLC	±															
1-PLC	±0.1															
2-PLC	±0.01															
3-PLC	±0.001															
4-PLC	±0.0001															
ANGLES	±															
MATERIAL - SEE SHEET 1 OF 2		APPLICATION SPEC 114-5452	SIZE A3	CAGE CODE 00779	DRAWING NO C-2069313											
FINISH - SEE SHEET 1 OF 2		WEIGHT -	SCALE 1:1													
CUSTOMER DRAWING		SHEET 2 OF 2		REV D												

## X-ON Electronics

Largest Supplier of Electrical and Electronic Components

*Click to view similar products for [Heavy Duty Power Connectors](#) category:*

*Click to view products by [TE Connectivity](#) manufacturer:*

Other Similar products are found below :

[1424439](#) [1424438](#) [09330062652](#) [605601-1](#) [6340G1](#) [6341G1](#) [6360G1](#) [6373G1](#) [6374g2](#) [6396G1](#) [647757-1](#) [6643411-1](#) [6646058-2](#) [6646137-1](#)  
[6646138-1](#) [6646348-1](#) [6646479-1](#) [6646608-1](#) [6646786-1](#) [6646940-1](#) [6651525-1](#) [6651529-1](#) [6651778-1](#) [6651788-1](#) [696465-1](#) [696475-1](#)  
[73000005059](#) [73000005349](#) [73000005642](#) [73080965046](#) [765-15-0080A](#) [765-16-0080B](#) [789.700-44](#) [789.700-54](#) [80-1010](#) [80-9](#) [827381-1](#)  
[829992-1](#) [902-77-02113](#) [PL00U-301-10D10](#) [PM103MOOLOO](#) [PM212MOOLOO](#) [PM309FOOLOO](#) [PM324FOOLCH](#) [PMHPAF11S03](#)  
[PMHPAF14S01](#) [PMHPAM14P05](#) [PMHPAS06](#) [PMHPBF14S01](#) [PP45PC12S](#)