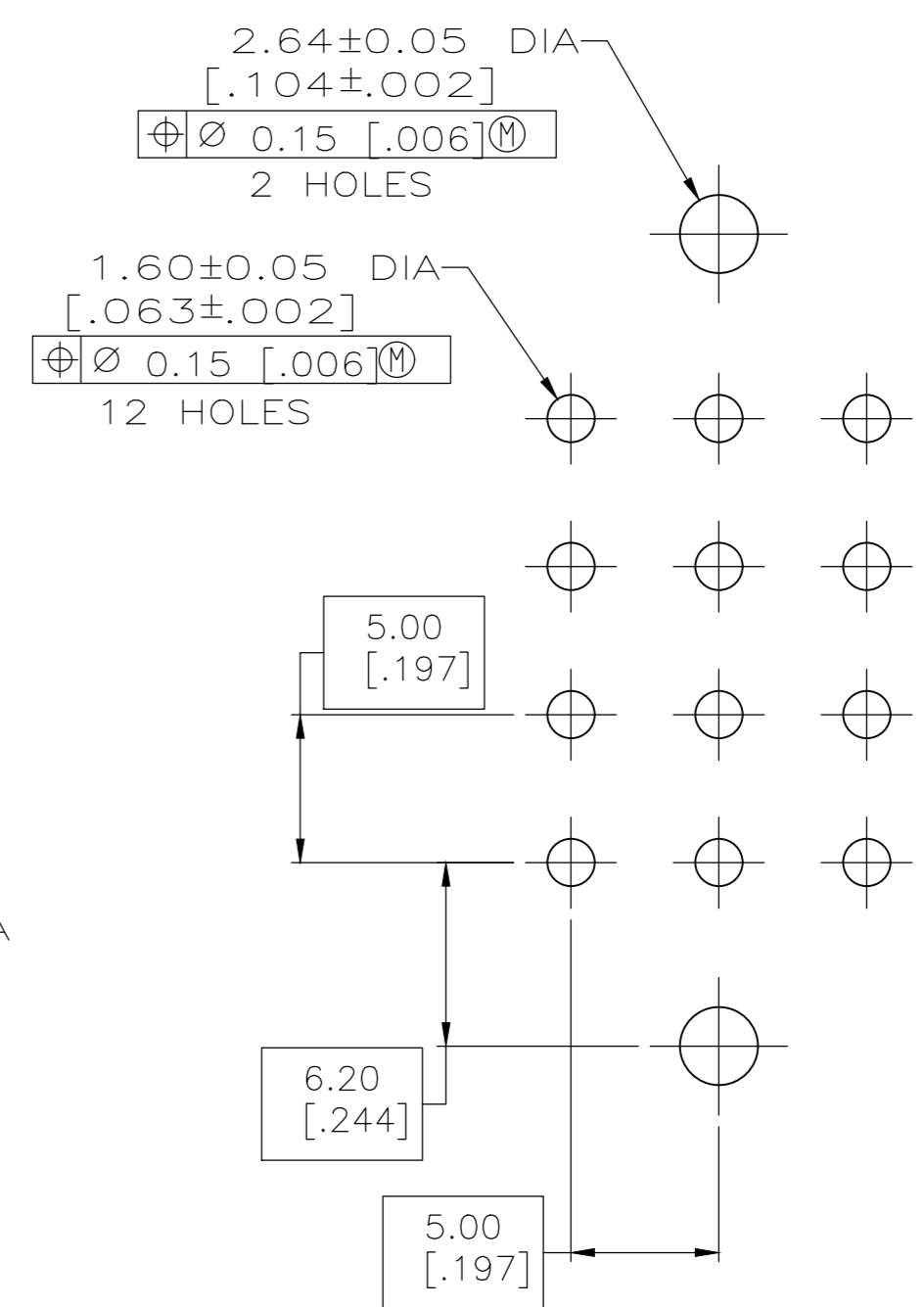
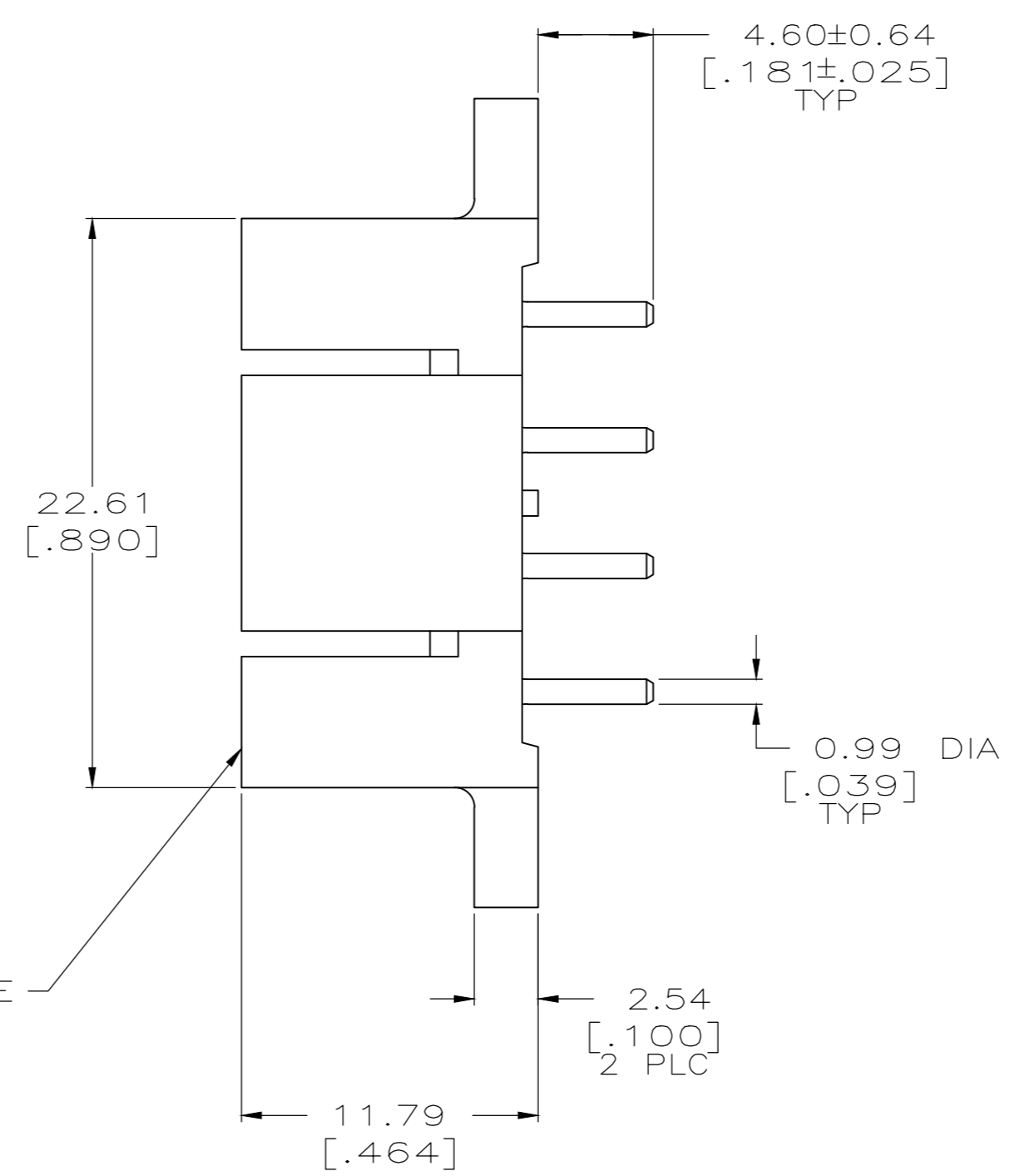
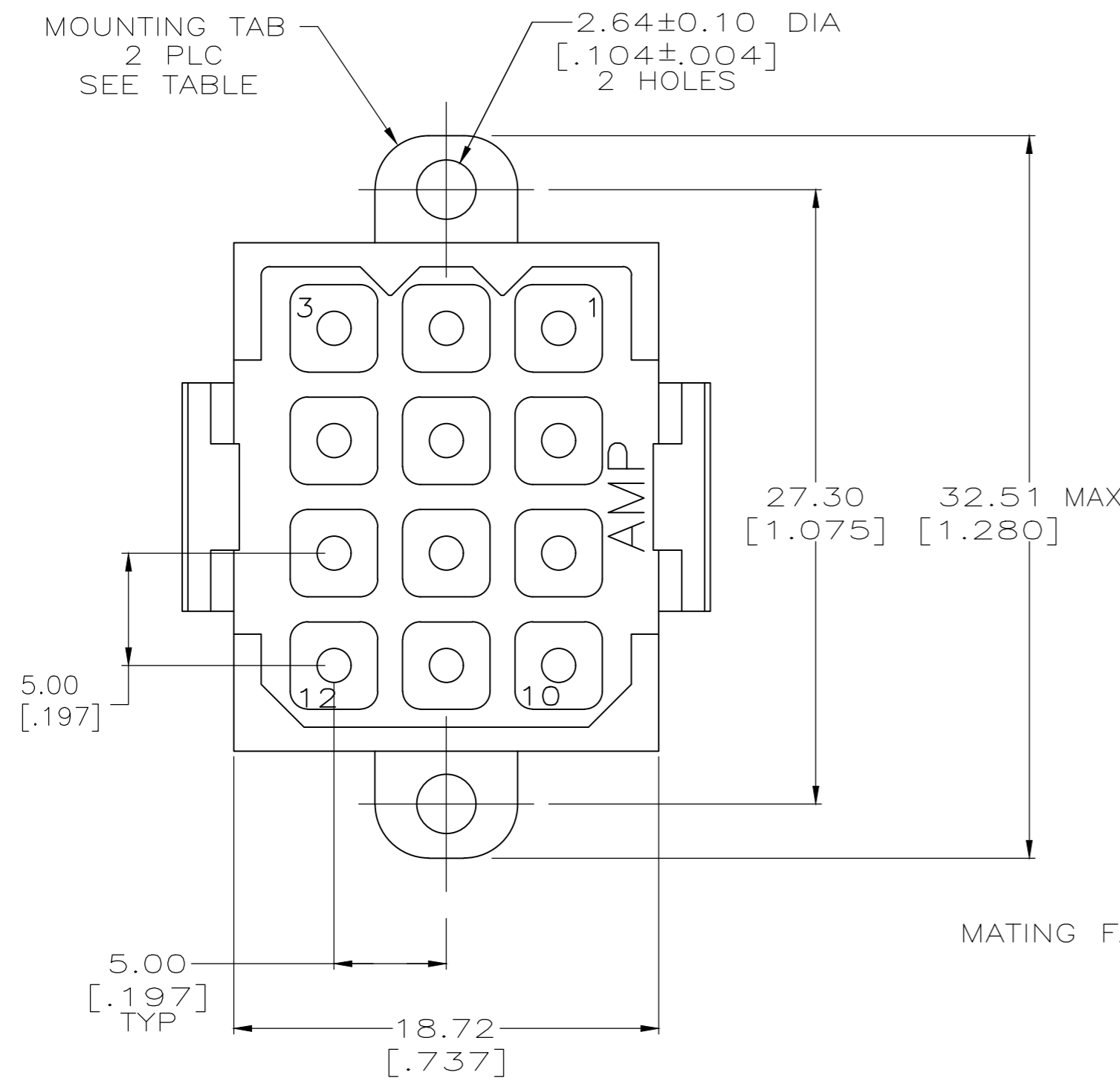
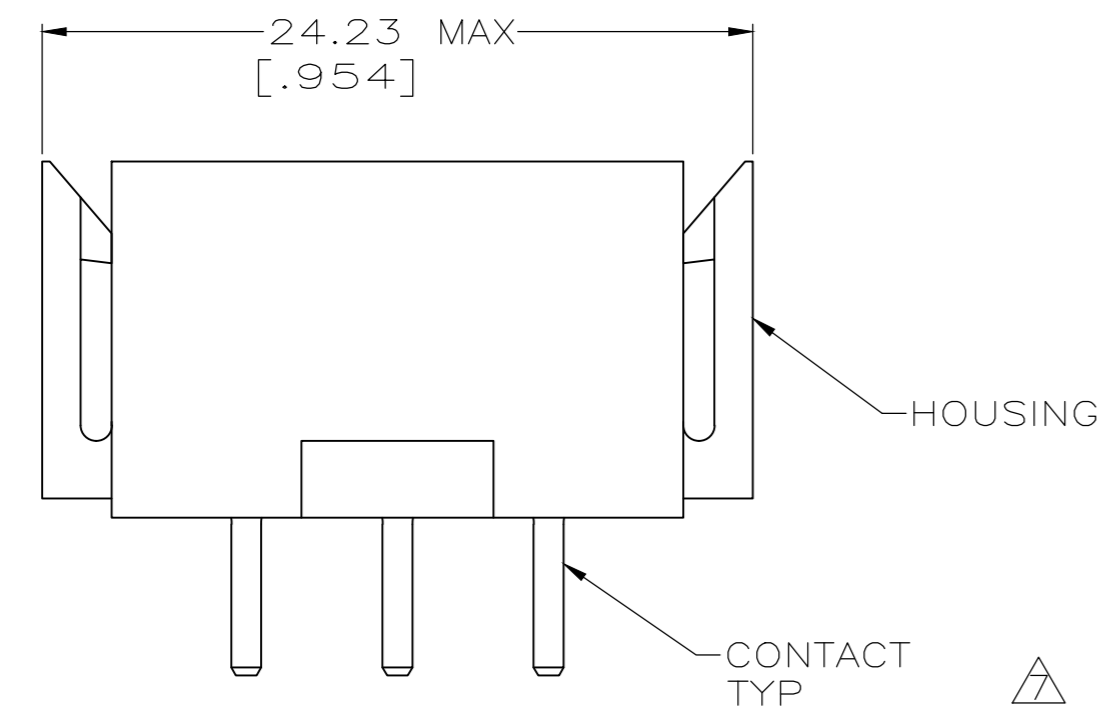


REVISIONS					
P	LTR	DESCRIPTION	DATE	DWN	APVD
T		REVISED PER ECO-18-000441	23JAN2018	RS	MZ
U		REVISED PER ECO-20-002045	13FEB2020	RK	MZ



RECOMMENDED PC BOARD LAYOUT



- ① HOUSING MATERIAL: PA66, BLACK, UL 94 V-0 RATED.
- ② CONTACT MATERIAL: BRASS PER ASTM B36
- ③ 3.81µm [.000150] MIN TIN OVER 2.54µm [.000100] MIN COPPER.
- ④ 0.76µm [.000030] MIN GOLD FOR A LENGTH OF 5.08 [.200] FROM MATING END, 3.81µm [.000150] MIN TIN-LEAD FOR A LENGTH OF 4.83 [.190] MIN FROM OPPOSITE END, BOTH OVER 1.27µm [.000050] MIN NICKEL.
- ⑤ SELECTIVELY LOADED CONTACTS IN POSITIONS 1 THRU 5, 7 THRU 12.
- ⑥ 3.81µm [.000150] MIN TIN OVER 2.54µm [.000100] MIN COPPER.

- ⑧ SUPERSEDED BY 1-207120-2
- ⑦ 0.76µm [.000030] MIN GOLD FOR A LENGTH OF 5.08 [.200] FROM MATING END, 3.81µm [.000150] MIN TIN FOR A LENGTH OF 4.83 [.190] MIN FROM OPPOSITE END, BOTH OVER 1.27µm [.000050] MIN NICKEL.
- ⑥ OBSELETE PARTS: OBSELETE CIS STREAMLINING PER D.RENAUD/D.SINISI

CONTACT FINISH	MOUNTING TABS	PART NUMBER
⑥ YES		⑤ 1-207120-2
⑦ NO		1-207120-1
⑥ NO		1-207120-0
⑥ YES		207120-9
⑦ YES		207120-8
③ YES		⑤ 207120-7
④ NO		207120-4
④ YES		207120-3
③ NO		207120-2
③ YES		207120-1

THIS DRAWING IS A CONTROLLED DOCUMENT.

DIMENSIONS: mm [INCHES]	TOLERANCES UNLESS OTHERWISE SPECIFIED:	DWN L.SIPE 03/11/92	CHK R.STONE 3-17-92	APVD -	NAME
0 PLC ± -	1 PLC ± -	PRODUCT SPEC	108-10033	SIZE	A2
2 PLC ± 0.25 [.010]	3 PLC ± -	APPLICATION SPEC	-	CAGE CODE	00779
4 PLC ± -	ANGLES ± -	WEIGHT	-	DRAWING NO	C=207120
MATERIAL	FINISH	CONTACT: SEE TABLE	CUSTOMER DRAWING	SCALE	4:1

TE Connectivity
PIN HEADER ASSEMBLY, 12 POSITION, METRIMATE

RESTRICTED TO
SHEET 1 of 1
REV U

X-ON Electronics

Largest Supplier of Electrical and Electronic Components

Click to view similar products for [Headers & Wire Housings](#) category:

Click to view products by [TE Connectivity](#) manufacturer:

Other Similar products are found below :

[892-18-020-10-001101](#) [58102-G61-06LF](#) [582553-1](#) [0009485154](#) [009176003701906](#) [0050291907](#) [LY20-4P-DT1-P1E-BR](#) [02.125.8002.8](#)
[609-3404](#) [61062-3](#) [61082-181009](#) [622-3653LF](#) [63453-116](#) [636-1030](#) [636-1427](#) [636-3427](#) [636-4007](#) [641938-9](#) [641991-4](#) [644827-2](#) [65817-010LF](#) [65817-015LF](#) [65863-015LF](#) [66207-023LF](#) [67095-007LF](#) [67601157](#) [68645-018](#) [68648-049](#) [70.362.1628.0](#) [70-4210](#) [70-4226B](#) [70-4853B](#) [707-5020](#) [707-5028](#) [71.350.2428.0](#) [71918-208LF](#) [71961-016LF](#) [733-134](#) [733-162](#) [754199-000](#) [760-3052](#) [787-8014-00](#) [79531-3000](#)
[FCN-360C032-B](#) [FCN-367T-T012/H](#) [FCN-723D010/2](#) [80.063.4001.1](#) [800-90-001-10-001000](#) [800-90-010-10-002000](#) [801-43-002-10-013000](#)