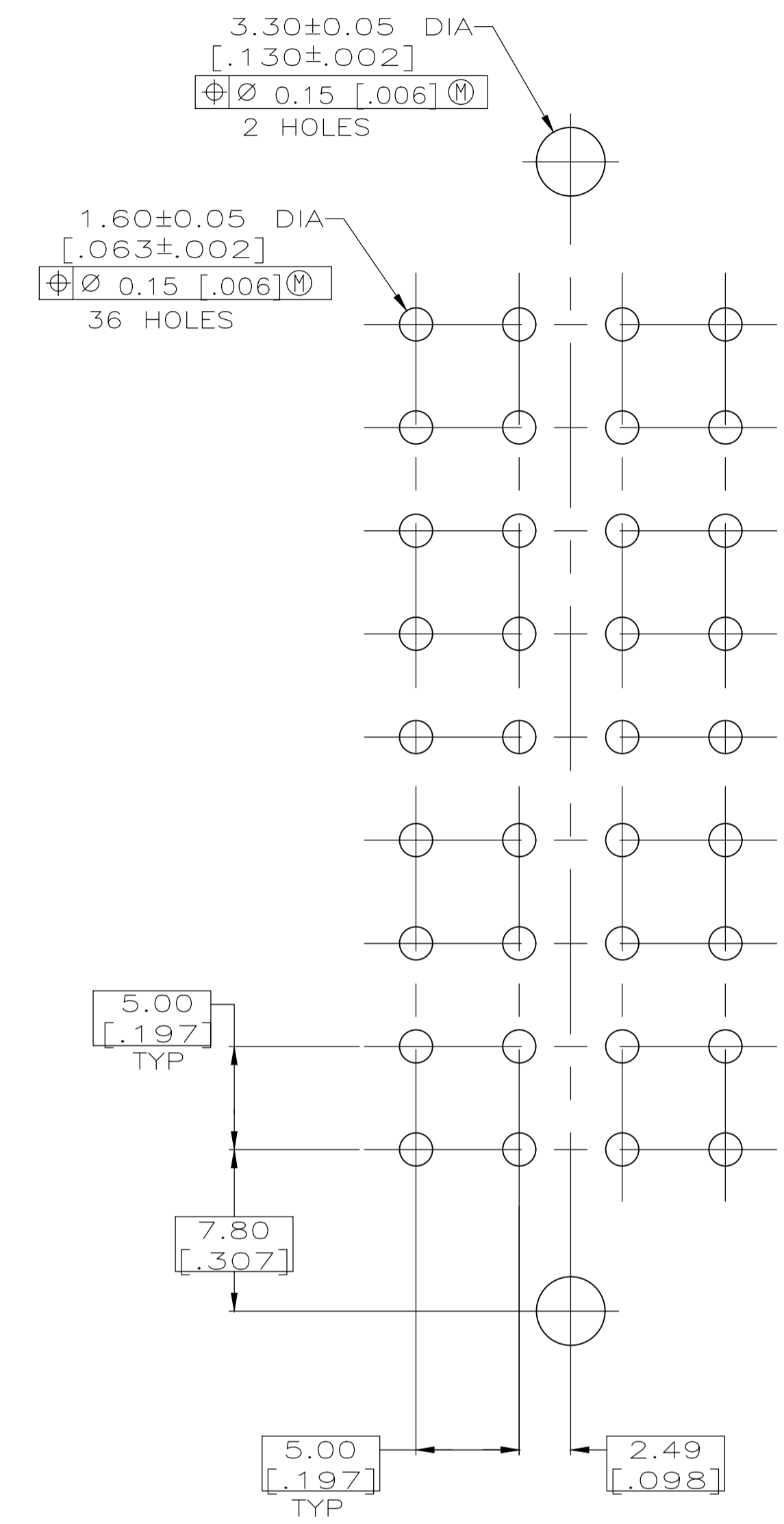
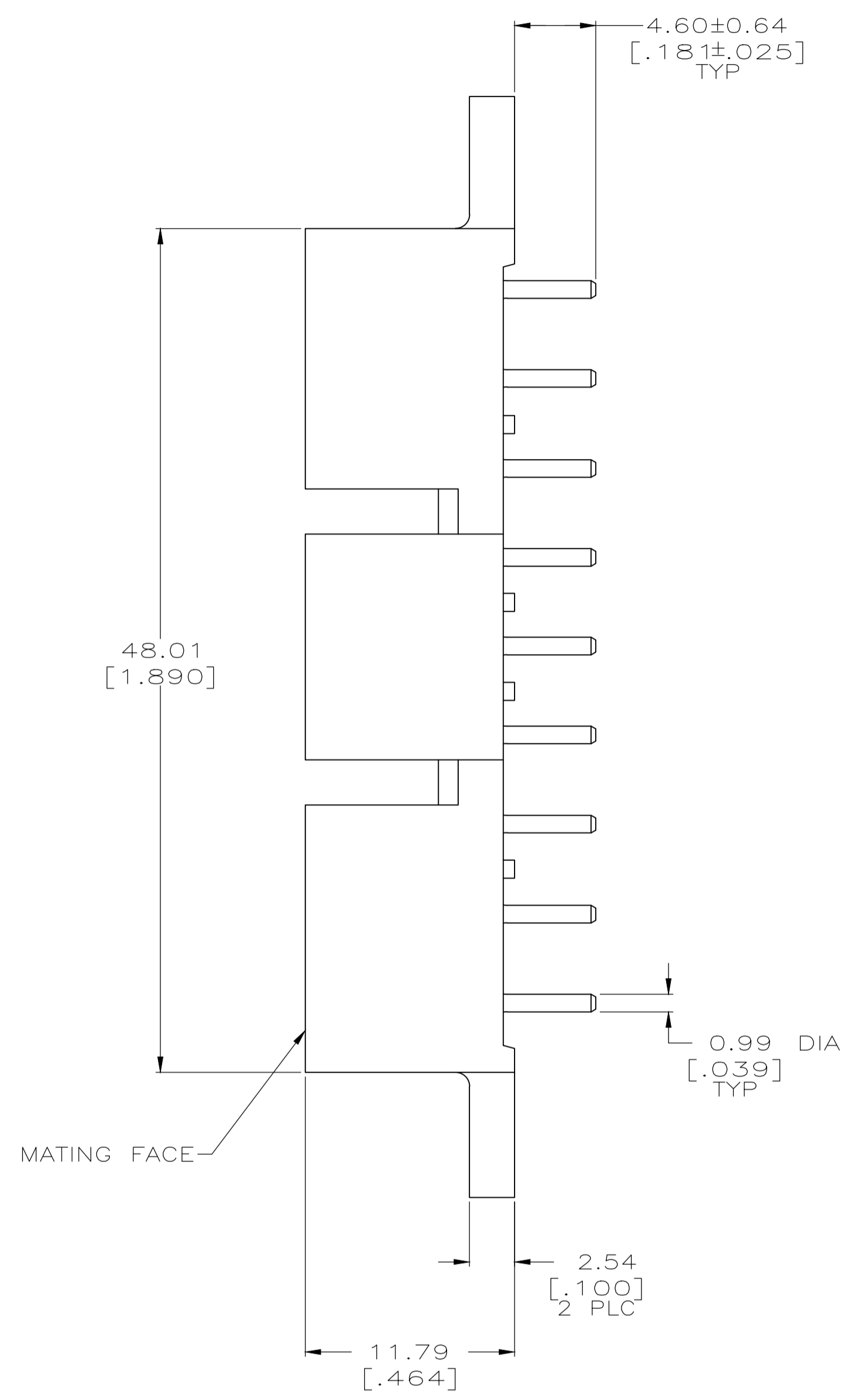
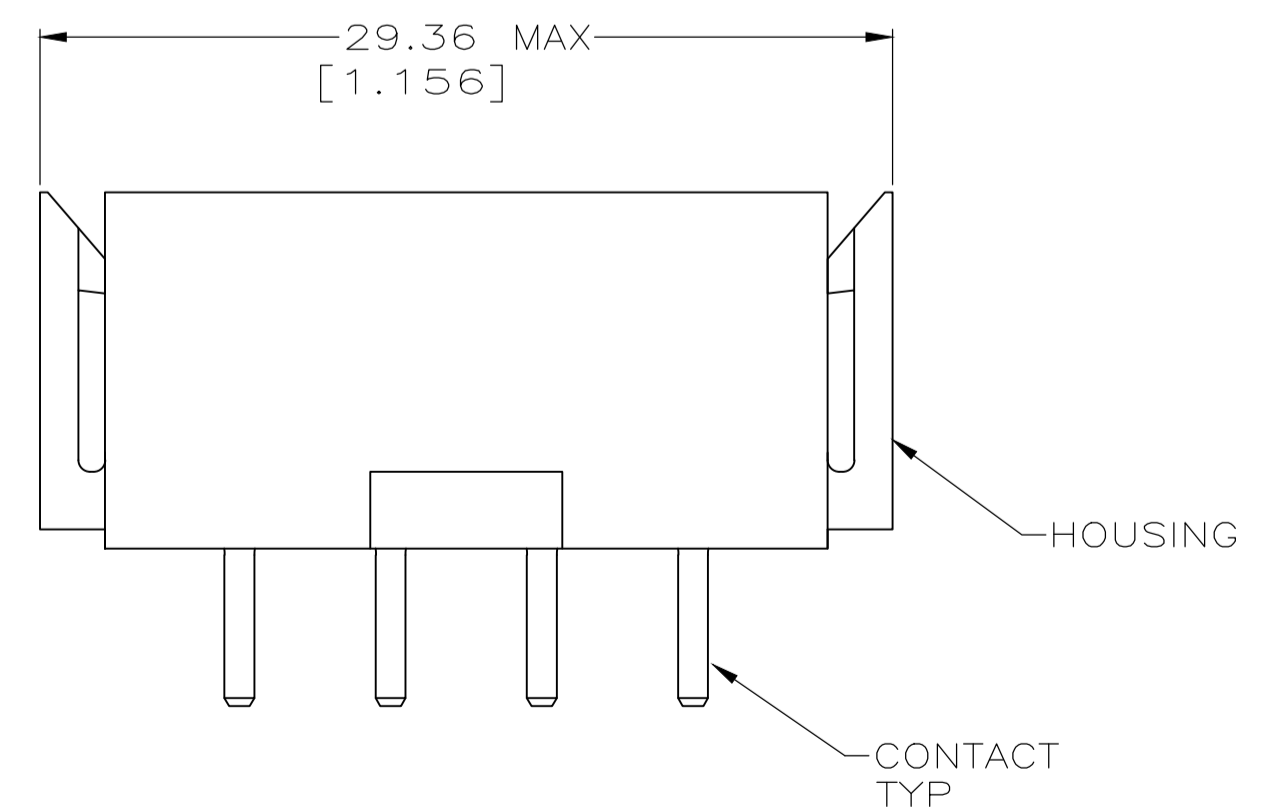
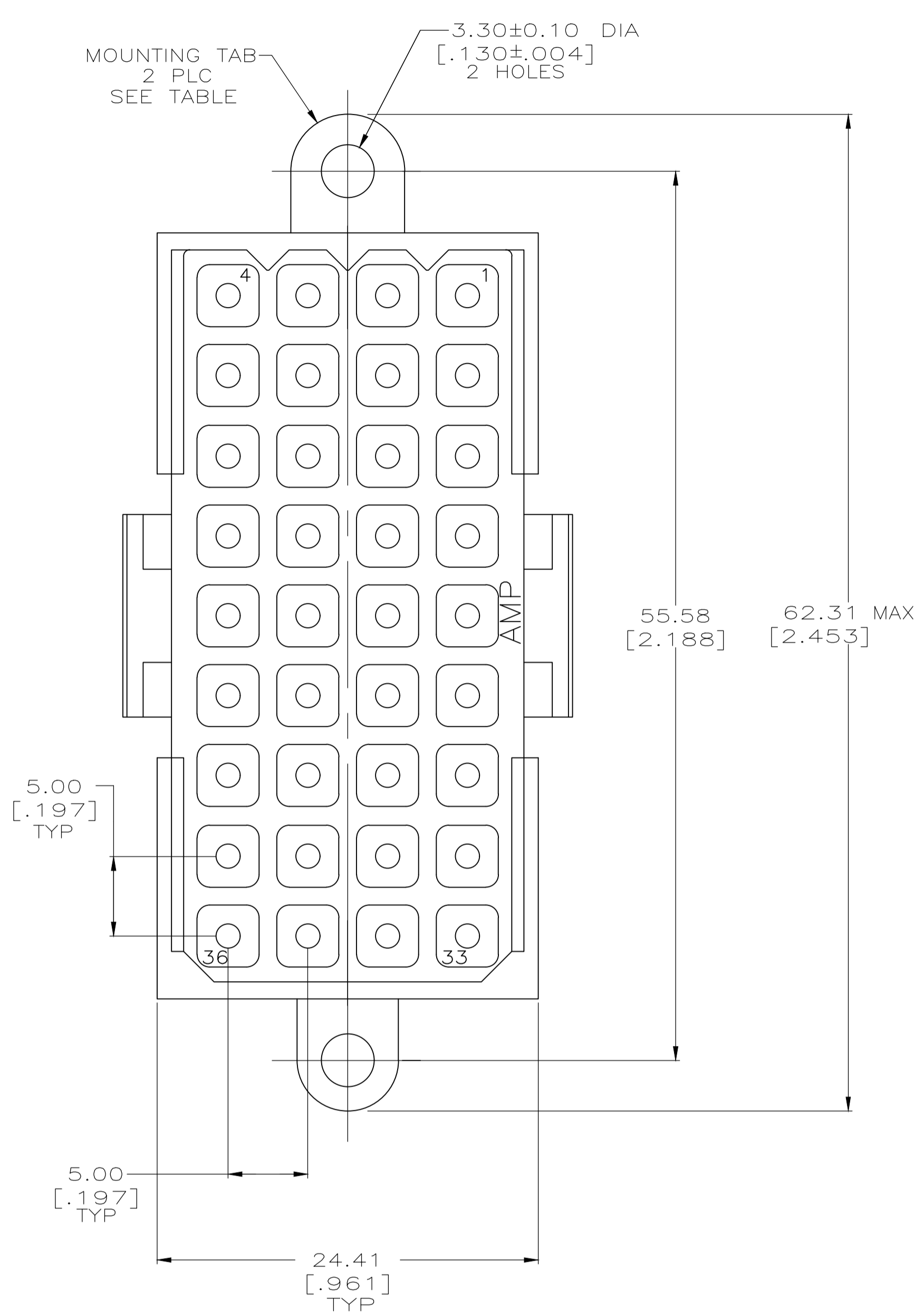


REVISIONS					
REV	DATE	DESCRIPTION	BY	CHK	APPV
Z	24JAN2018	REVISED PER ECO-12-007055	RS		MZ
AA	13FEB2020	REVISED PER ECO-20-002045	RK		MZ



RECOMMENDED PC BOARD LAYOUT

- ① HOUSING MATERIAL: PA66, BLACK, UL 94 V-0 RATED.
- ② CONTACT MATERIAL: BRASS PER ASTM B36.
- ③ 3.81um [.000150] MIN TIN OVER 2.54um [.000100] MIN COPPER.
- ④ 0.76um [.000030] MIN GOLD FOR A LENGTH OF 5.08 [.200] FROM MATING END, 3.81um [.000150] MIN TIN-LEAD FOR A LENGTH OF 4.83 [.190] MIN FROM OPPOSITE END, BOTH OVER 1.27um [.000050] MIN NICKEL.
- ⑤ .000150 MIN TIN OVER .000100 MIN CU, OR .000050 MIN NICKEL.
- ⑥ 0.76um [.000030] MIN GOLD FOR A LENGTH OF 5.08 [.200] FROM MATING END, 3.81um [.000150] MIN TIN FOR A LENGTH OF 4.83 [.190] MIN FROM OPPOSITE END, BOTH OVER 1.27um [.000050] MIN NICKEL.

REV	DATE	DESCRIPTION	BY	CHK	APPV
6		NO			1-207121-0
6		YES			207121-9
5		YES			207121-8
4		NO			207121-4
4		YES			207121-3
3		NO			207121-2
3		YES			207121-1

THIS DRAWING IS A CONTROLLED DOCUMENT.		DIN L/SIPE 03/12/92	TE Connectivity Ltd.	
DIMENSIONS: INCHES		3-17-92	R.STONE	
TOLERANCES UNLESS OTHERWISE SPECIFIED:		3-17-92	A. TRAVIS	
0 PLC ± -	1 PLC ± -	PRODUCT SPEC	NAME	
2 PLC ± 0.13 [.005]	3 PLC ± -	108-10033	PIN HEADER ASSEMBLY, 36 POSITION, METRIMATE	
4 PLC ± -	ANGLES ± -	APPLICATION SPEC	SIZE CASE CODE DRAWING NO	
MATERIAL	FINISH CONTACT: SEE TABLE	WEIGHT	A1 00779	207121
CUSTOMER DRAWING		SCALE 4:1	SHEET 1 OF 1	REV AA

X-ON Electronics

Largest Supplier of Electrical and Electronic Components

Click to view similar products for [Headers & Wire Housings](#) category:

Click to view products by [TE Connectivity](#) manufacturer:

Other Similar products are found below :

[892-18-020-10-001101](#) [58102-G61-06LF](#) [582553-1](#) [0009485154](#) [009176003701906](#) [0050291907](#) [LY20-4P-DT1-P1E-BR](#) [02.125.8002.8](#)
[609-3404](#) [61062-3](#) [61082-181009](#) [622-3653LF](#) [63453-116](#) [636-1030](#) [636-1427](#) [636-3427](#) [636-4007](#) [641938-9](#) [641991-4](#) [644827-2](#) [65817-](#)
[010LF](#) [65817-015LF](#) [65863-015LF](#) [66207-023LF](#) [67095-007LF](#) [67601157](#) [68645-018](#) [68648-049](#) [70.362.1628.0](#) [70-4210](#) [70-4226B](#) [70-](#)
[4853B](#) [707-5020](#) [707-5028](#) [71.350.2428.0](#) [71918-208LF](#) [71961-016LF](#) [733-134](#) [733-162](#) [754199-000](#) [760-3052](#) [79531-3000](#) [FCN-](#)
[360C032-B](#) [FCN-367T-T012/H](#) [FCN-723D010/2](#) [80.063.4001.1](#) [800-90-010-10-002000](#) [801-43-002-10-013000](#) [801-43-006-10-002000](#)
[801-93-011-10-001000](#)