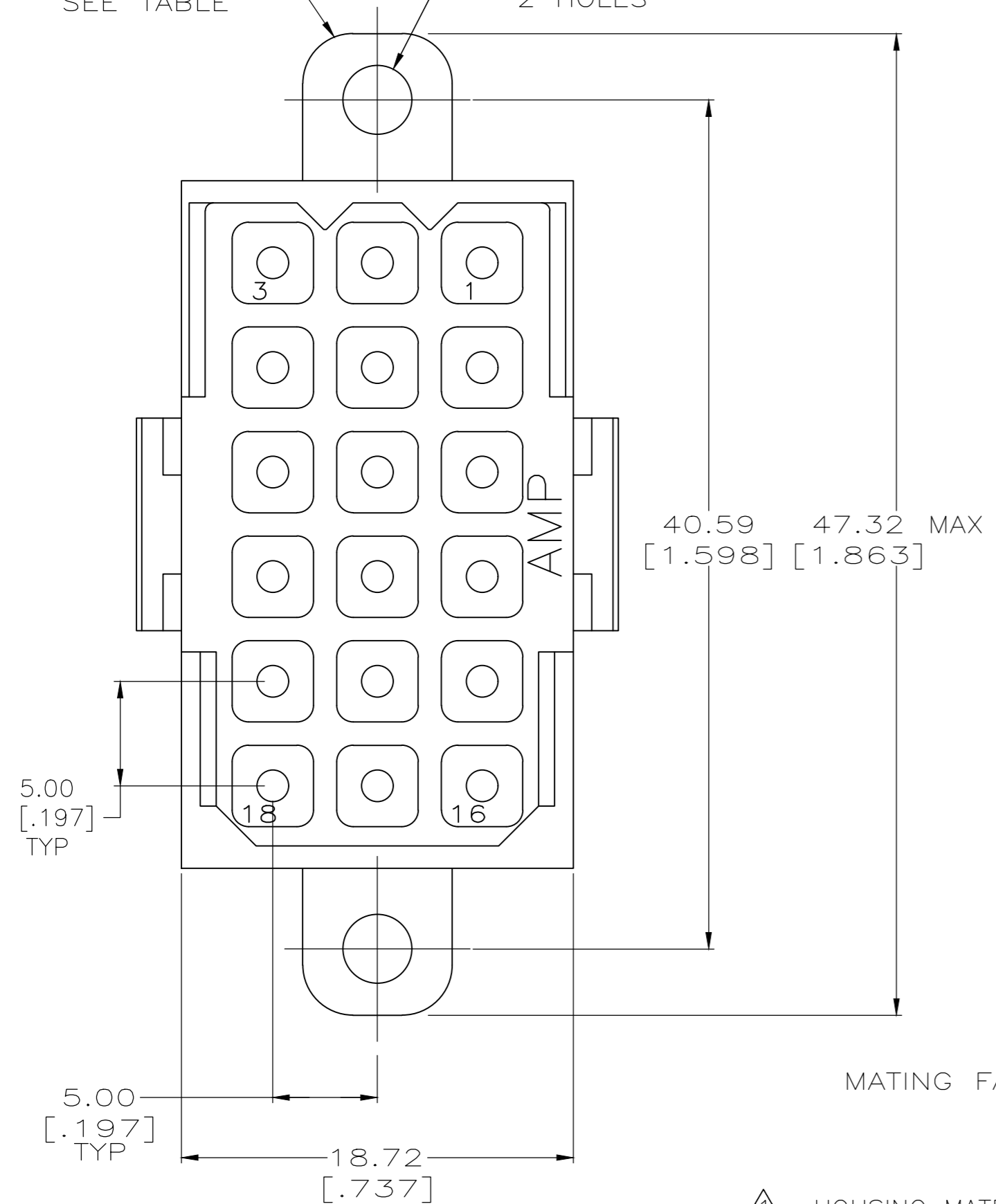


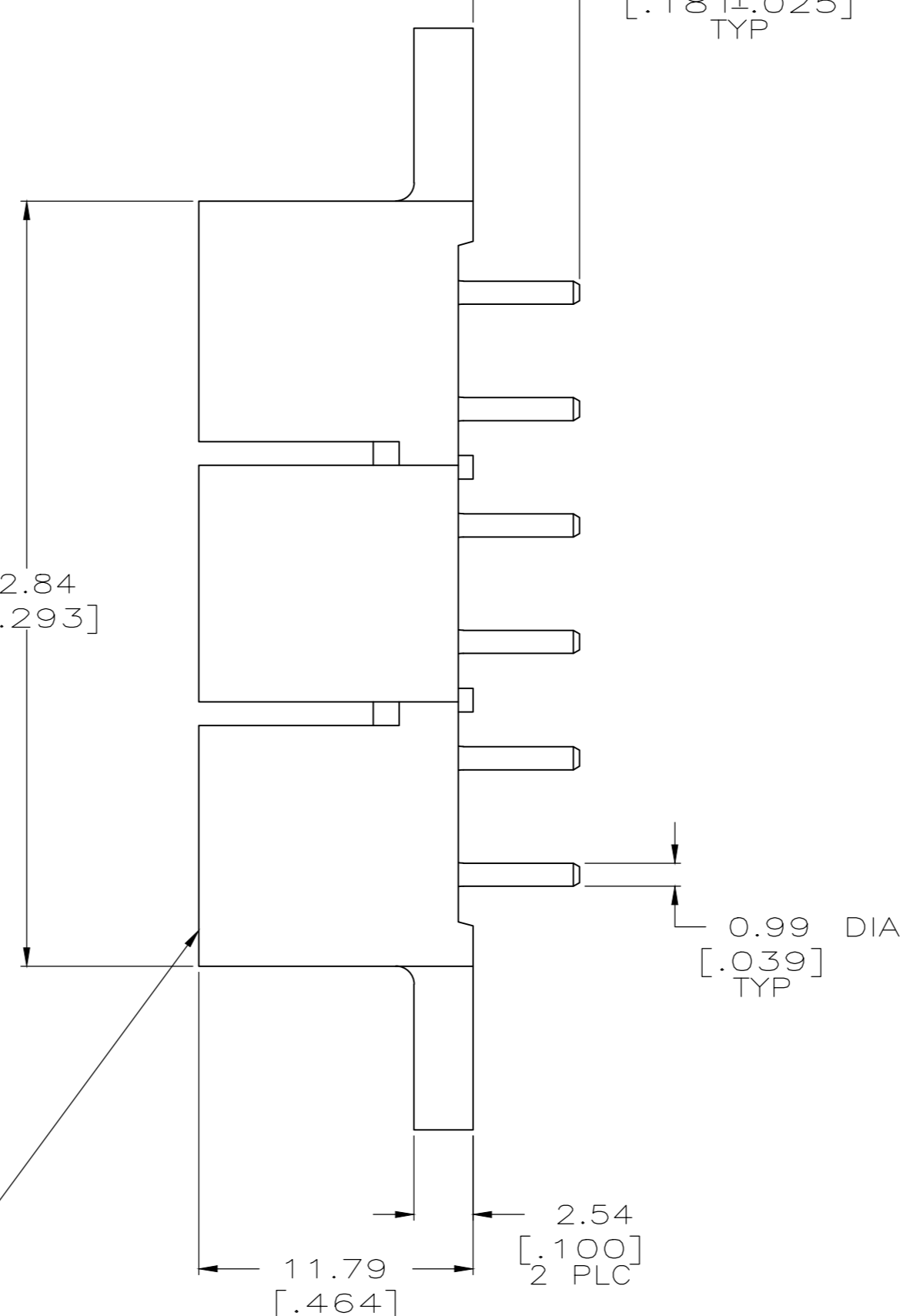
REVISIONS					
P	LTR	DESCRIPTION	DATE	DWN	APVD
M		REVISED PER 0G3B-0164-05	23JAN2018	RS	MZ
N		REVISED PER ECO-20-002045	13FEB2020	RK	MZ

MOUNTING TAB
2 PLC
SEE TABLE

3.30±0.10 DIA
[.130±.004]
2 HOLES

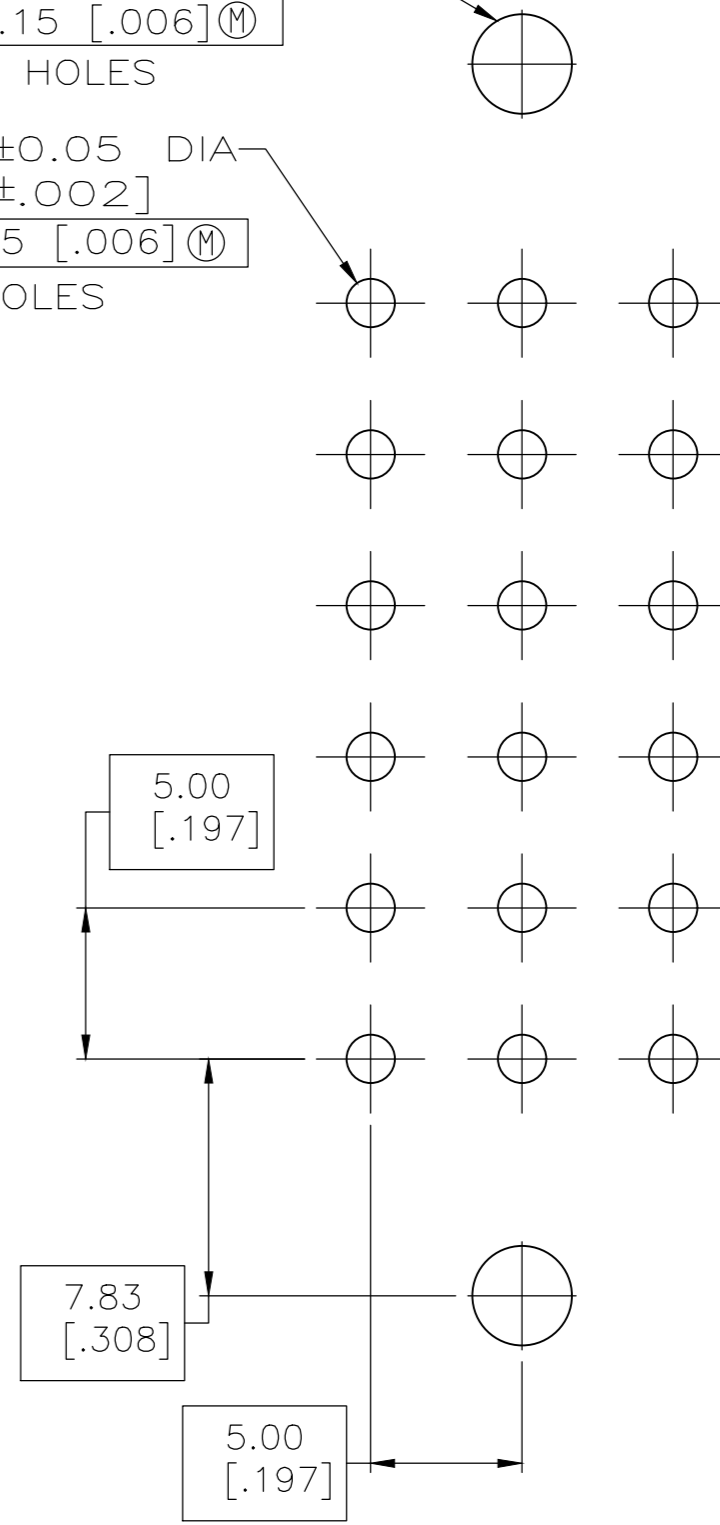


4.60±0.64
[.181±.025]
TYP



3.30±0.05 DIA
[.130±.002]
⊕ Ø 0.15 [.006] (M)
2 HOLES

1.60±0.05 DIA
[.063±.002]
⊕ Ø 0.15 [.006] (M)
18 HOLES



5.00 [.197] TYP

18.72 [.737]

MATING FACE

0.99 DIA
[.039]
TYP

2.54 [.100]
2 PLC

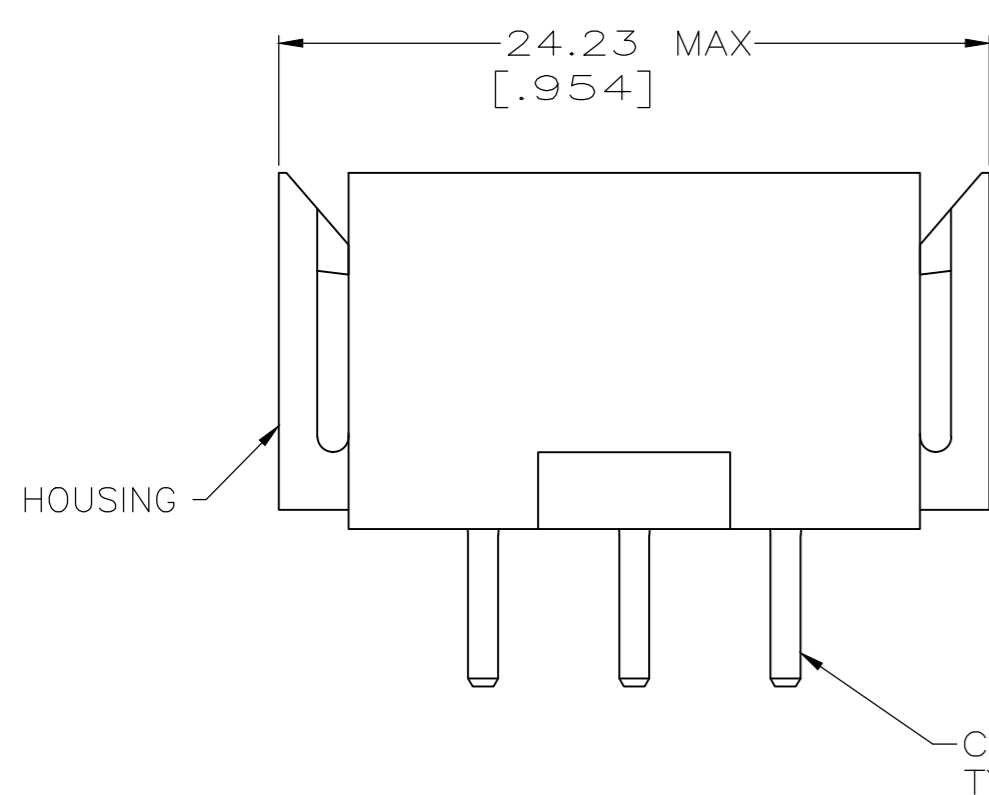
11.79 [.464]

RECOMMENDED PC BOARD LAYOUT

- ① HOUSING MATERIAL: PA66, BLACK, UL 94 V-0 RATED
- ② CONTACT MATERIAL: BRASS PER ASTM B36
- ③ 3.81µm [.000150] MIN TIN OVER 2.54µm [.000100] MIN COPPER.
- ④ 0.76µm [.000030] MIN GOLD FOR A LENGTH OF 5.08 [.200] FROM MATING END, 3.81µm [.000150] MIN TIN-LEAD FOR A LENGTH OF 4.83 [.190] MIN FROM OPPOSITE END, BOTH OVER 1.27µm [.000050] MIN NICKEL.
- ⑤ 0.76µm [.000030] MIN GOLD FOR A LENGTH OF 5.08 [.200] FROM MATING END, 3.81µm [.000150] MIN LEAD FREE TIN FOR A LENGTH OF 4.83 [.190] MIN FROM OPPOSITE END, BOTH OVER 1.27µm [.000050] MIN NICKEL.
- ⑥ 3.81µm [.000150] MIN LEAD FREE TIN OVER 2.54µm [.000100] MIN COPPER.

OBSOLETE
OBSOLETE
OBSOLETE
OBSOLETE

REV	DESCRIPTION	DATE	BY	CHK
5	NO	1-207444-1		
6	NO	1-207444-0		
6	YES	207444-9		
5	YES	207444-8		
4	NO	207444-4		
4	YES	207444-3		
3	NO	207444-2		
3	YES	207444-1		



THIS DRAWING IS A CONTROLLED DOCUMENT.		DWN	03/11/92	TE Connectivity	
DIMENSIONS: mm [INCHES]		L.SIPE	3-17-92		
TOLERANCES UNLESS OTHERWISE SPECIFIED:		CHK	R.STONE	NAME	
0 PLC ± -		APVD	A.TRAVIS	PIN HEADER ASSEMBLY, 18 POSITION, METRIMATE	
1 PLC ± -		PRODUCT SPEC	108-10033	SIZE	A2
2 PLC ± 0.25 [.010]		APPLICATION SPEC	-	CAGE CODE	00779
3 PLC ± -		FINISH	CONTACT: SEE TABLE	DRAWING NO	C=207444
4 PLC ± -		WEIGHT	0.000000	RESTRICTED TO	-
ANGLES ± -		CUSTOMER DRAWING	SCALE	4:1	SHEET
MATERIAL				1 OF 1	REV
FINISH				N	

X-ON Electronics

Largest Supplier of Electrical and Electronic Components

Click to view similar products for [Pin & Socket Connectors](#) category:

Click to view products by [TE Connectivity](#) manufacturer:

Other Similar products are found below :

[6450822-1](#) [770392-1](#) [794042-1](#) [796885-1](#) [8-794535-1](#) [881459-2](#) [R929993003](#) [1-350779-3](#) [1403611-1](#) [1-480349-5](#) [1586092-1](#) [1586129-1](#)
[1586487-1](#) [1586681-4](#) [1586700-1](#) [1586065-1](#) [1586077-1](#) [1586368-1](#) [1586380-1](#) [1586680-5](#) [1586681-2](#) [1604996-1](#) [16-06-0038](#) [164164-5](#) [1-](#)
[6609930-1](#) [172296-1](#) [1-794714-6](#) [19-09-2035](#) [1969804-1](#) [200503-1](#) [200788-2](#) [201046-7](#) [202648-4](#) [2029076-2](#) [2029090-4](#) [2029095-4](#) [2-](#)
[66102-6](#) [925061-7](#) [926681-1](#) [293734-4](#) [293737-2](#) [1-765362-4](#) [1-794606-3](#) [1871534-1](#) [1969795-1](#) [1969798-1](#) [1969800-1](#) [200833-4](#)
[2008625-2](#) [2029027-2](#)