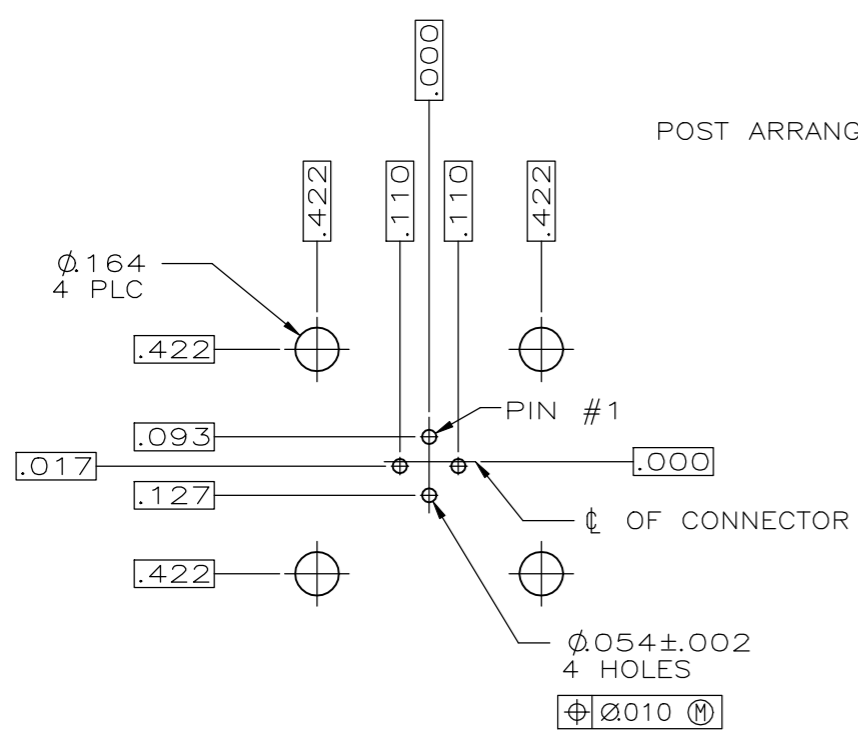
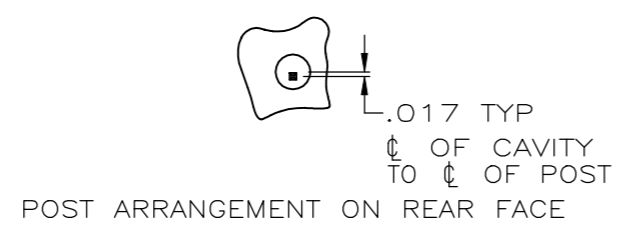
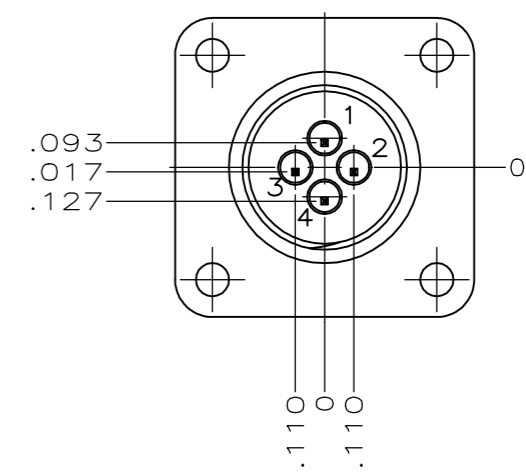
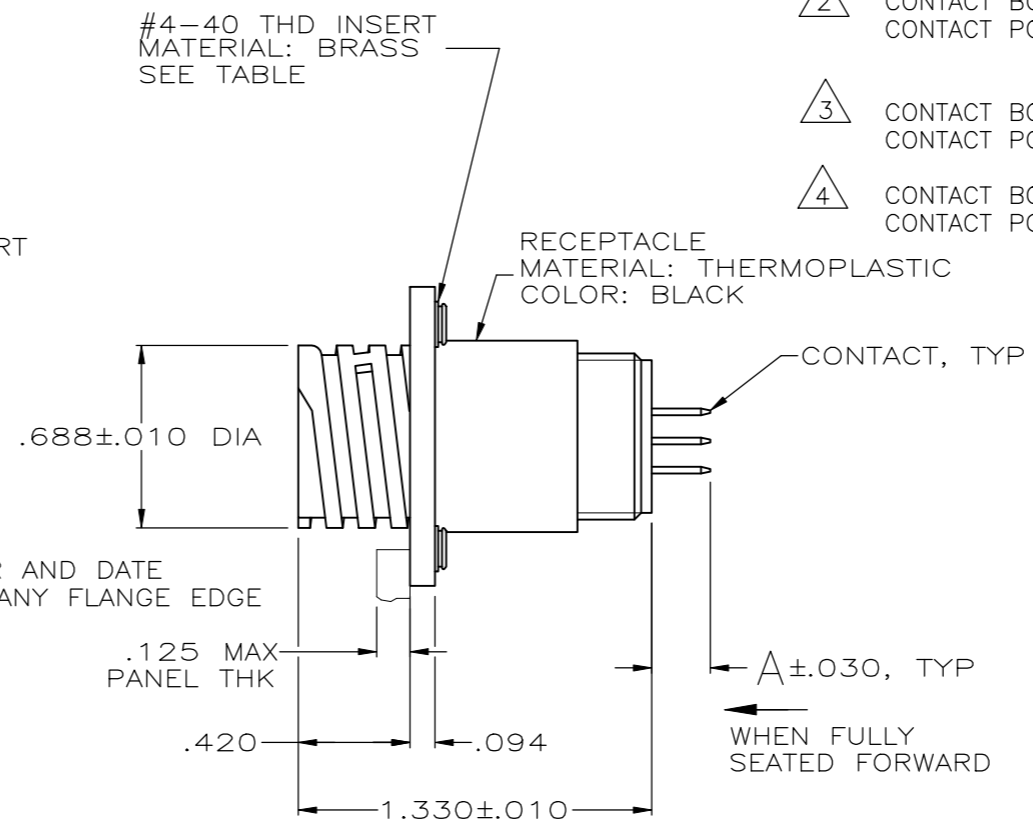
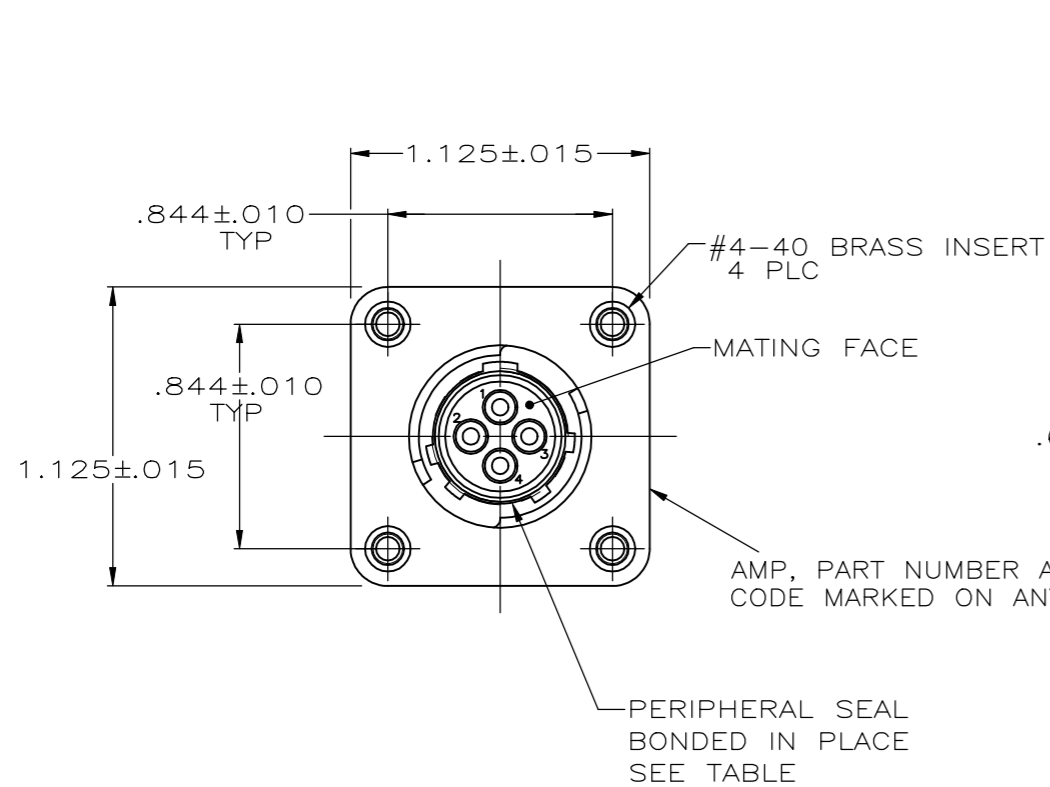


THIS DRAWING IS UNPUBLISHED. RELEASED FOR PUBLICATION. ALL RIGHTS RESERVED.

REVISIONS				
P	LTR	DESCRIPTION	DATE	APVD
T		REVISED PER ECO-18-007248	17MAY2018	KH MZ
T1		REVISED PER ECO-18-016525	22OCT2018	RS MZ

- 1 RECEPTACLE IS LOADED WITH 4 TYPE III+ POSTED PIN CONTACTS.
- △2 CONTACT BODY: GOLD PER MIL-G-45204 OVER NICKEL PER QQ-N-290. CONTACT POST: TIN-LEAD PER MIL-T-10727 OVER COPPER PER MIL-C-14550A.
- △3 CONTACT BODY: GOLD PER MIL-G-45204 OVER NICKEL PER QQ-N-290. CONTACT POST: TIN OVER COPPER PER MIL-C-14550A.
- △4 CONTACT BODY: TIN OVER NICKEL PER MIL-C-14550A. CONTACT POST: TIN OVER NICKEL PER MIL-C-14550A.



CONTACT FINISH	PERIPHERAL SEAL	THREADED INSERTS	PART NUMBER
△3	△4	.220	YES NO 1-207825-5
△3	△4	.429	YES YES 1-207825-4
△3	△4	.119	NO NO 1-207825-2
△3	△4	.618	NO YES 1-207825-1
△3	△3	.119	YES YES 1-207825-0
△2	△3	.119	NO YES 207825-9
△2	△2	.220	YES NO 207825-8
△2	△2	.429	YES YES 207825-7
△2	△2	.119	NO NO 207825-6
△2	△2	.119	NO NO 207825-5
△2	△2	.618	NO YES 207825-4
△2	△2	.119	YES YES 207825-3
△2	△2	.220	NO YES 207825-2
△2	△2	.119	NO YES 207825-1

THIS DRAWING IS A CONTROLLED DOCUMENT. DWN R.LEE BG 7-1-91. CHK W.G.LENKER 4-14-92. APVD - NAME -

TE Connectivity

RECEPTACLE ASSEMBLY, POSTED, STD SEX, SERIES 1, 11-4, CPC

PRODUCT SPEC 108-10024

APPLICATION SPEC -

SIZE A2 CAGE CODE 00779 DRAWING NO C=207825 RESTRICTED TO -

MATERIAL - FINISH - WEIGHT - SCALE 2:1 SHEET 1 of 1 REV T1

CONTACT: △2 CUSTOMER DRAWING

X-ON Electronics

Largest Supplier of Electrical and Electronic Components

Click to view similar products for [Standard Circular Connector](#) category:

Click to view products by [TE Connectivity](#) manufacturer:

Other Similar products are found below :

[5M2530B10P](#) [600259N006](#) [600273N007](#) [6134-336-13149](#) [6134-337-11149](#) [6134-337-2390](#) [6134-341-17149](#) [6280-4SG-516](#) [6280-7SG-3DC](#)
[6290](#) [6291A](#) [66200A-10](#) [680-SMG](#) [681-PMG](#) [CXS3102A14S2P](#) [CXS3102A181S](#) [7251-5SG-300](#) [7271-6SG-300](#) [7282-3PG-300-CH3](#) [75-](#)
[474618-01S](#) [75-474618-04P](#) [75-474618-04S](#) [799539-000](#) [MI8-SE](#) [805-005-07NF11-19PC](#) [805-005-07NF15-7PA](#) [8280-4PG-516](#) [8280-7PG-](#)
[519](#) [8282-5PG-519](#) [836783-1](#) [MP-4102-25P-C](#) [862256-1](#) [864019-2](#) [866857-1](#) [867865-1](#) [PT01SP-14-18P](#) [PT08P-14-5S](#) [PTSF06SE-14-12S](#)
[120-1833-000](#) [QCM019PC2DC012B](#) [1-2069279-1](#) [121583-0217](#) [121667-0020](#) [129591AU](#) [1000B BULK](#) [RD10A16-19-P6CS051/1](#)
[RD10A20-31-P8CS051/1](#) [RD16A14-12-S6CS051/2](#) [1301240290](#) [1301240347](#) [1301860202](#)