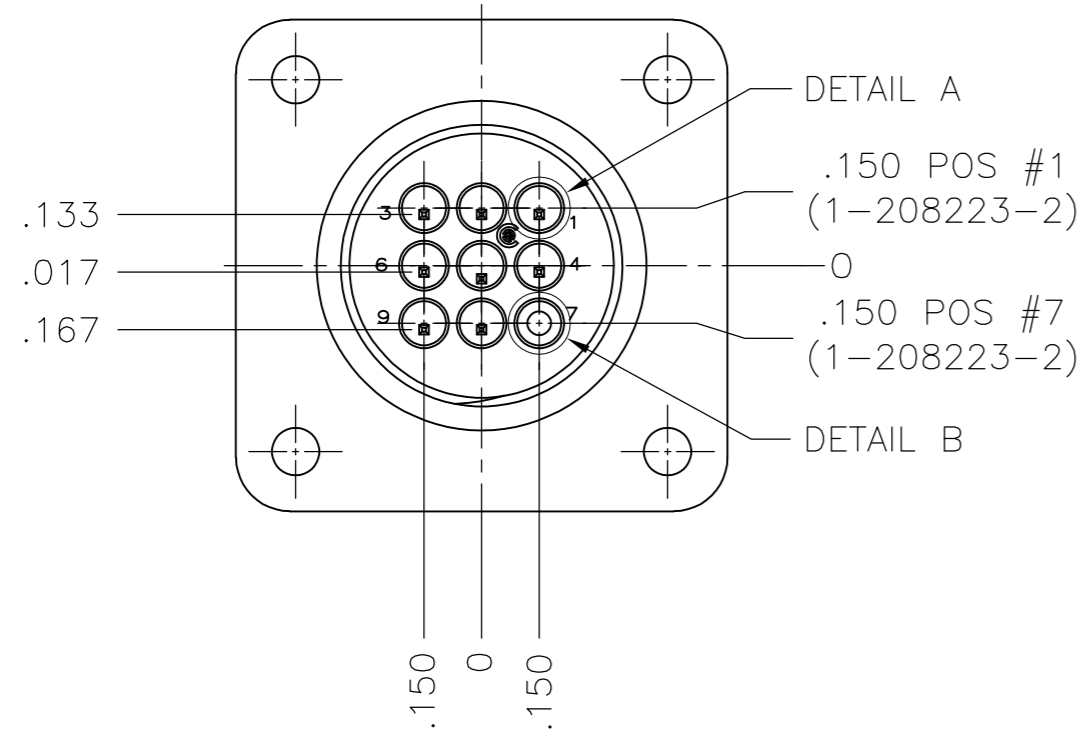
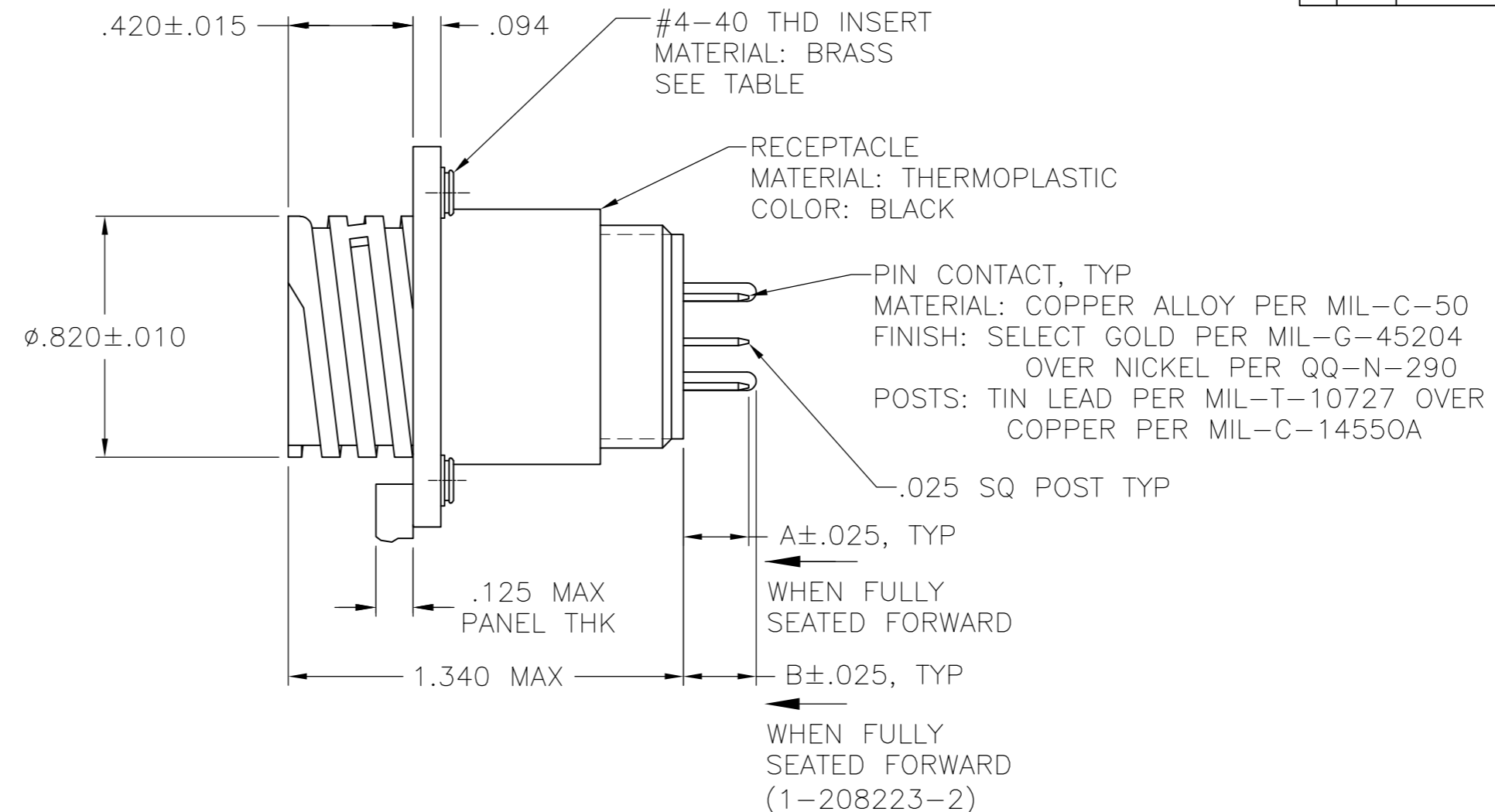
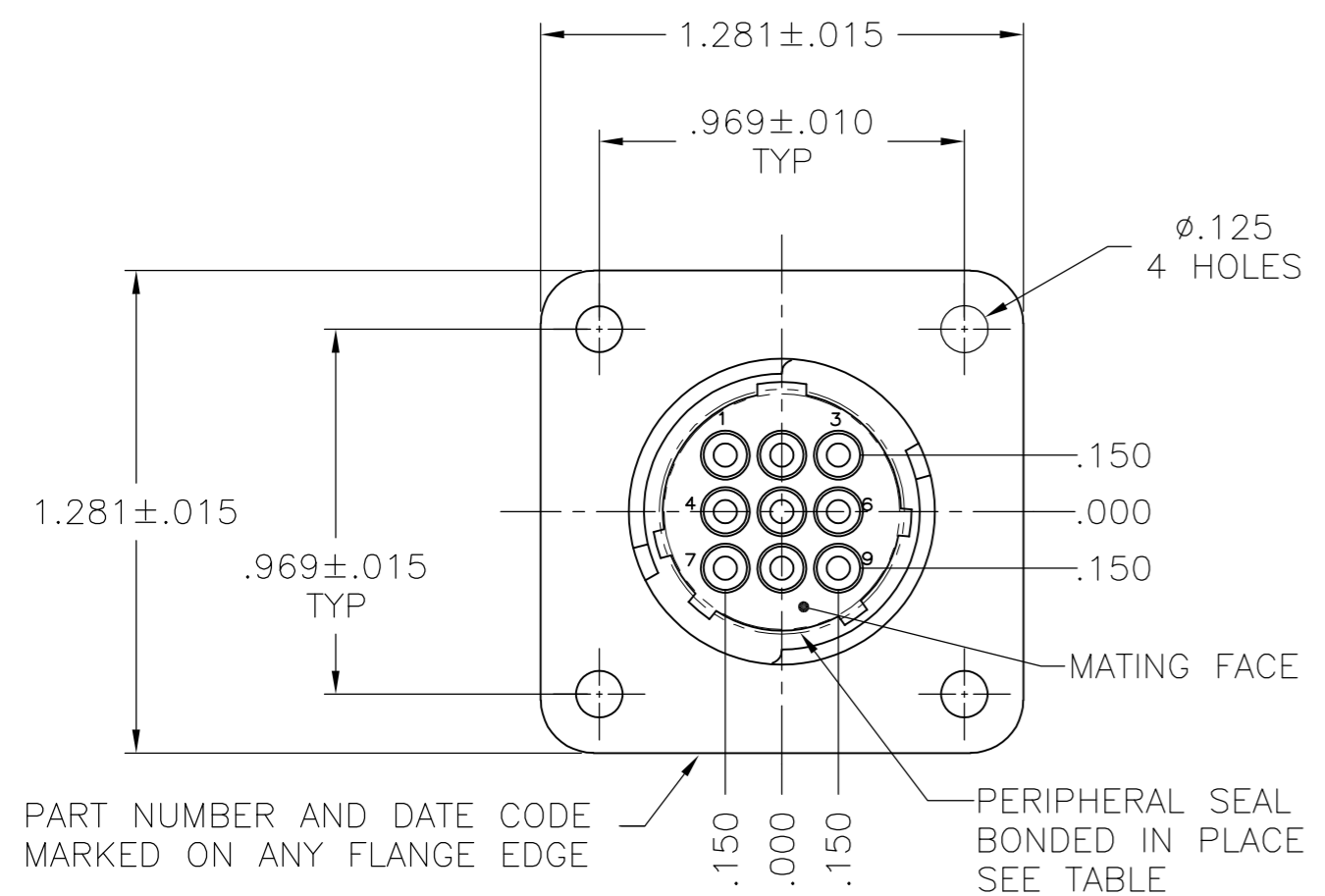
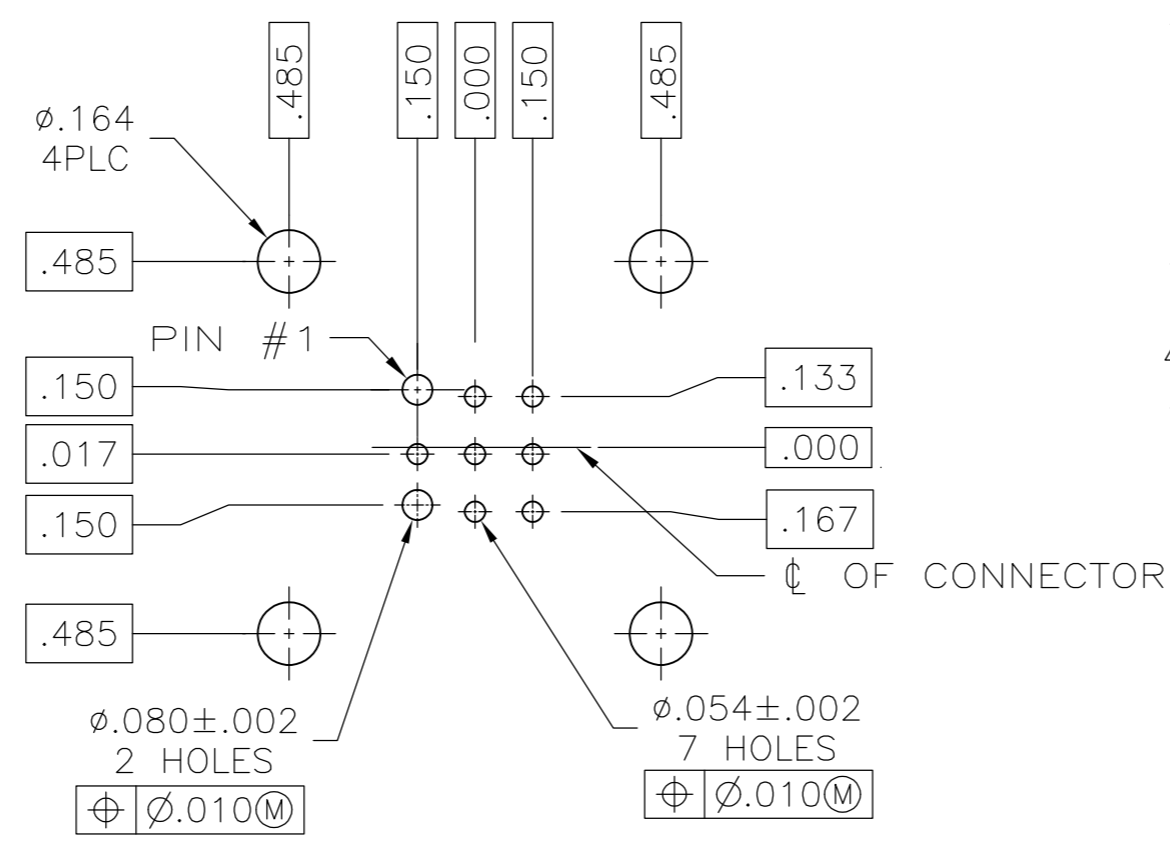
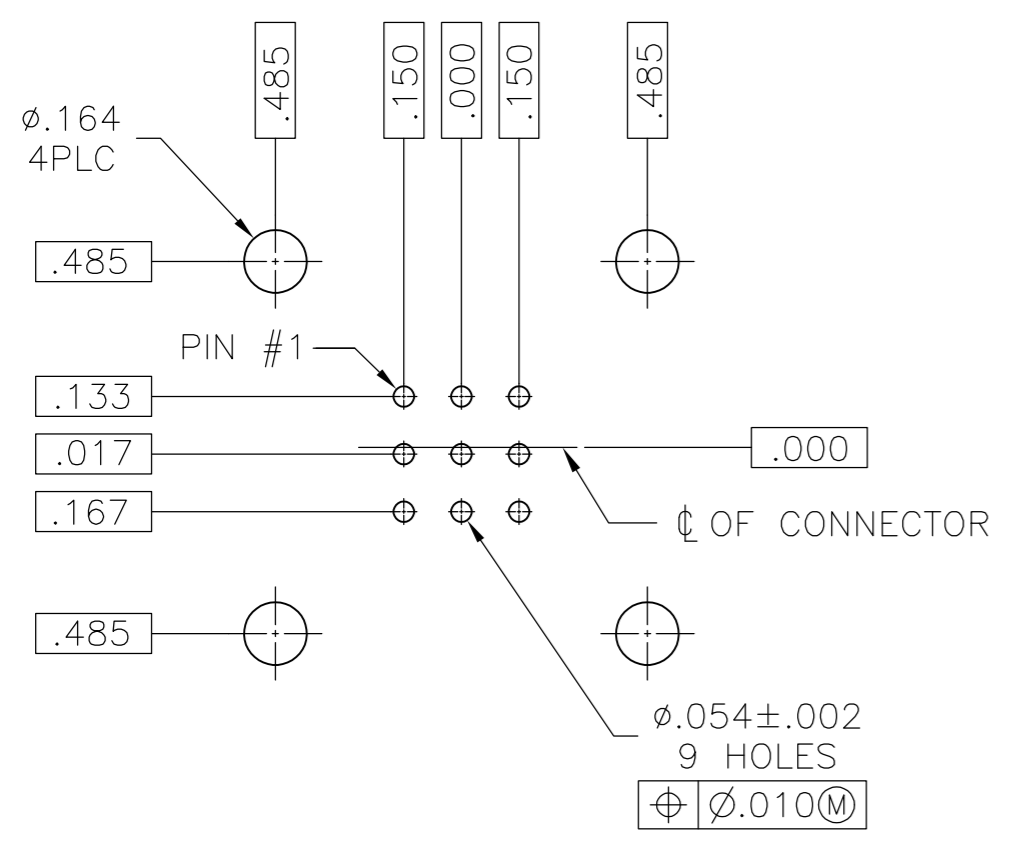


THIS DRAWING IS UNPUBLISHED. RELEASED FOR PUBLICATION
 © COPYRIGHT - By - ALL RIGHTS RESERVED.

REVISIONS				
P	LTR	DESCRIPTION	DATE	APVD
U		REVISED PER ECO-16-009792	2JUL2016	NK MZ
V		REVISED PER ECO-17-004657	06APR2017	BDA MZ



- 1 1-66460-0 WILL BE SELECTIVELY LOADED INTO POSITIONS 2, 4, 6, 7, 9 AND 66464-3 WILL BE LOADED INTO POSITIONS 1, 3, 5, 8 OF THE HOUSING.
- 2 LOAD ALL POSITIONS EXCEPT POSITION NUMBER 4.
- 3 TIN PLATED CONTACTS.
- 4 194264-1 LOADED INTO POSITIONS 1 & 7.
- 5 OBSOLETE PARTS: OBSOLETE CIS STREAMLINING PER D.RENAUD/D.SINISI.



4	3	3	3	2	5	1				
OBSOLETE		.130	YES	YES			1-208223-3			
OBSOLETE		.245	NO	YES			1-208223-2			
	3		YES	YES			1-208223-1			
	3		NO	YES			1-208223-0			
	3		NO	NO			208223-9			
OBSOLETE		.220	YES	NO			208223-8			
OBSOLETE		.220	NO	NO			208223-7			
OBSOLETE		.618	NO	YES			208223-6			
OBSOLETE		.220	YES	YES			208223-5			
OBSOLETE		.220	NO	NO			208223-4			
			NO	YES			208223-3			
OBSOLETE		.429	NO	NO			208223-2			
			NO	NO			208223-1			
								B	A	PERIPHERAL SEAL
										THREADED INSERTS
										PART NUMBER

THIS DRAWING IS A CONTROLLED DOCUMENT. DWN R.LEE BG 6-22-91
 CHK W.G.LENKER 4-14-92
 APVD -
 PRODUCT SPEC 108-10024
 APPLICATION SPEC -
 MATERIAL SEE CALLOUT FINISH SEE CALLOUT
 WEIGHT -
 CUSTOMER DRAWING SCALE 2:1 SHEET 1 of 1 REV V

TE TE Connectivity
 RECEPTACLE ASSEMBLY, POSTED, STD SEX, SERIES 1, 13-9, CPC
 SIZE A2 CAGE CODE 00779 DRAWING NO C=208223 RESTRICTED TO -

X-ON Electronics

Largest Supplier of Electrical and Electronic Components

Click to view similar products for [Standard Circular Connector](#) category:

Click to view products by [TE Connectivity](#) manufacturer:

Other Similar products are found below :

[5M2530B10P](#) [600259N006](#) [600273N007](#) [6134-336-13149](#) [6134-337-11149](#) [6134-337-2390](#) [6134-341-17149](#) [6280-4SG-516](#) [6280-7SG-3DC](#)
[6290](#) [6291A](#) [66200A-10](#) [680-SMG](#) [681-PMG](#) [CXS3102A14S2P](#) [CXS3102A181S](#) [7251-5SG-300](#) [7271-6SG-300](#) [7282-3PG-300-CH3](#) [75-](#)
[474618-01S](#) [75-474618-04P](#) [75-474618-04S](#) [799539-000](#) [MI8-SE](#) [805-005-07NF11-19PC](#) [805-005-07NF15-7PA](#) [8280-4PG-516](#) [8280-7PG-](#)
[519](#) [8282-5PG-519](#) [836783-1](#) [MP-4102-25P-C](#) [862256-1](#) [864019-2](#) [866857-1](#) [867865-1](#) [PT01SP-14-18P](#) [PT08P-14-5S](#) [PTSF06SE-14-12S](#)
[120-1833-000](#) [QCM019PC2DC012B](#) [1-2069279-1](#) [121583-0217](#) [121667-0020](#) [129591AU](#) [1000B BULK](#) [RD10A16-19-P6CS051/1](#)
[RD10A20-31-P8CS051/1](#) [RD16A14-12-S6CS051/2](#) [1301240290](#) [1301240347](#) [1301860202](#)