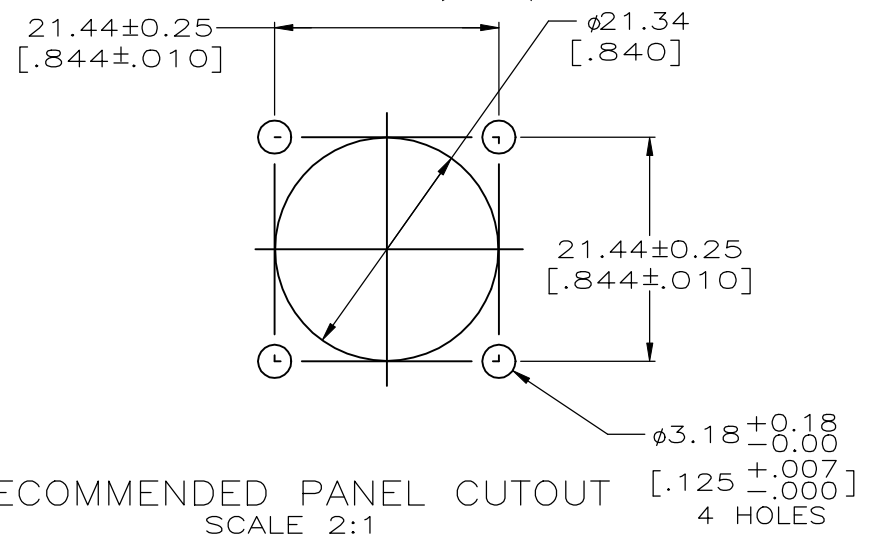
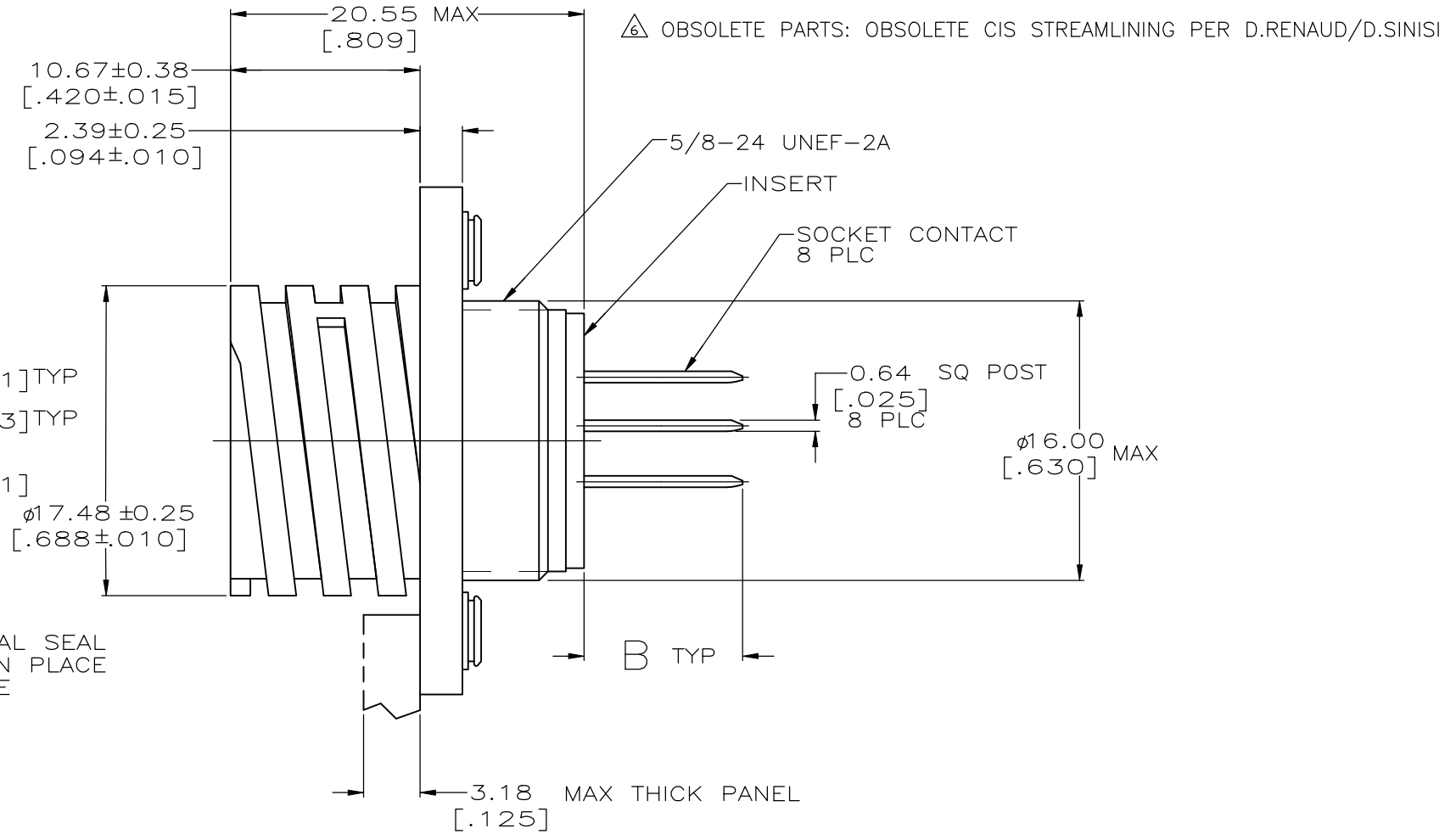
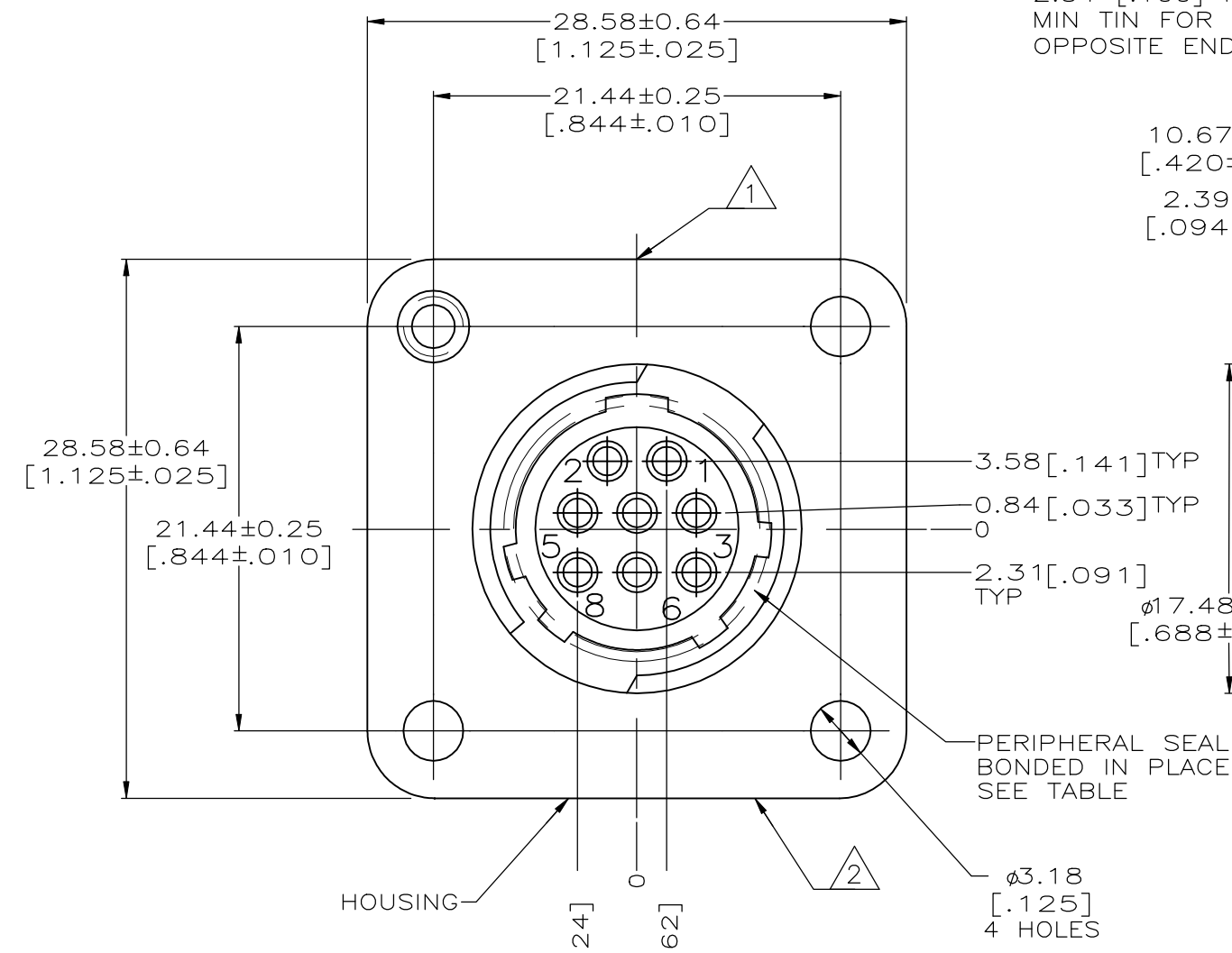


REVISIONS				
P	LTR	DESCRIPTION	DATE	APVD
	H1	REVISED PER ECO-09-021510	11SEP09	KK AEG
	J	REVISED PER ECO-17-004657	05APR2017	RS MZ
	K	REVISED PER ECO-19-001927	07FEB2019	RS MZ

- 1 AMP MOLDED ON THIS SURFACE.
- 2 PART NUMBER AND DATE CODE MARKED ON THIS SURFACE.
- 3 NYLON, GLASS FILLED, FLAME RETARDANT, BLACK.
- 4 0.76um [.000030] MIN GOLD FOR A LENGTH OF 2.54 [.100] MIN FROM MATING END, 2.54um [.000100] MIN TIN-LEAD FOR A LENGTH OF 9.70 [.382] MIN FROM OPPOSITE END, BOTH OVER 1.27um [.000050] MIN NICKEL.
- 5 0.76um [.000030] MIN GOLD FOR A LENGTH OF 2.54 [.100] MIN FROM MATING END, 2.54um [.000100] MIN TIN FOR A LENGTH OF 9.70 [.382] MIN FROM OPPOSITE END, BOTH OVER 1.27um [.000050] MIN NICKEL.



FINISH	PERIPHERAL SEAL	THREADED INSERT	DIM B	PART NUMBER
5	NO	NO	8.94±0.76 [.352±.030]	1-208657-1
5	NO	YES	14.58±0.76 [.574±.030]	1-208657-0
5	NO	NO	12.17±0.76 [.479±.030]	208657-9
4	NO	NO	12.17±0.76 [.479±.030]	208657-8
4	YES	YES	14.58±0.76 [.574±.030]	208657-7
4	NO	NO	8.94±0.76 [.352±.030]	208657-6
4	NO	YES	14.58±0.76 [.574±.030]	208657-5
4	NO	YES		208657-4
4	NO	NO		208657-3
4	NO	NO	8.94±0.76 [.352±.030]	208657-2
4	NO	NO	8.94±0.76 [.352±.030]	208657-1

THIS DRAWING IS A CONTROLLED DOCUMENT.

DWN: L. SIPE 05/16/90	 TE Connectivity
CHK: J. McCLINTON 5/30/90	
APVD: M. KAPEZYNSKI 5/30/90	NAME: POSTED RECEPTACLE ASSEMBLY, ARRANGEMENT 11-8, TYPE 20 DF CONTACTS, CPC
PRODUCT SPEC: 108-10024	SIZE: A2 CAGE CODE: 00779 DRAWING NO: 208657
APPLICATION SPEC: -	RESTRICTED TO: -
MATERIAL: #40 THREADED INSERTS: BRASS; HOUSING AND INSERT: NYLON; SOCKET CONTACTS: PHOSPHOR BRONZE	WEIGHT: -
TOLERANCES UNLESS OTHERWISE SPECIFIED: 0 PLC ± -; 1 PLC ± -; 2 PLC ± 0.13 [.005]; 3 PLC ± -; 4 PLC ± -; ANGLES ± -	CUSTOMER DRAWING
FINISH: -	SCALE: 4:1 SHEET: 1 OF 1 REV: K

X-ON Electronics

Largest Supplier of Electrical and Electronic Components

Click to view similar products for [Standard Circular Connector](#) category:

Click to view products by [TE Connectivity](#) manufacturer:

Other Similar products are found below :

[5M2530B10P](#) [600259N006](#) [600273N007](#) [6134-336-13149](#) [6134-337-11149](#) [6134-337-2390](#) [6134-341-17149](#) [6280-4SG-516](#) [6280-7SG-3DC](#)
[6290](#) [6291A](#) [66200A-10](#) [680-SMG](#) [681-PMG](#) [CXS3102A14S2P](#) [CXS3102A181S](#) [7271-6SG-300](#) [7282-3PG-300-CH3](#) [75-474618-01S](#) [75-](#)
[474618-04P](#) [75-474618-04S](#) [799539-000](#) [MI8-SE](#) [805-005-07NF11-19PC](#) [805-005-07NF15-7PA](#) [8280-4PG-516](#) [8280-7PG-519](#) [8282-5PG-](#)
[519](#) [836783-1](#) [MP-4102-25P-C](#) [862256-1](#) [864019-2](#) [866857-1](#) [867865-1](#) [PT01SP-14-18P](#) [PT08P-14-5S](#) [120-1833-000](#)
[QCM019PC2DC012B](#) [1-2069279-1](#) [121583-0217](#) [121667-0020](#) [129591AU](#) [1000B BULK](#) [RD10A16-19-P6CS051/1](#) [RD10A20-31-](#)
[P8CS051/1](#) [RD16A14-12-S6CS051/2](#) [1301240290](#) [1301240347](#) [1301860202](#) [1301240268](#) [1301240275](#)