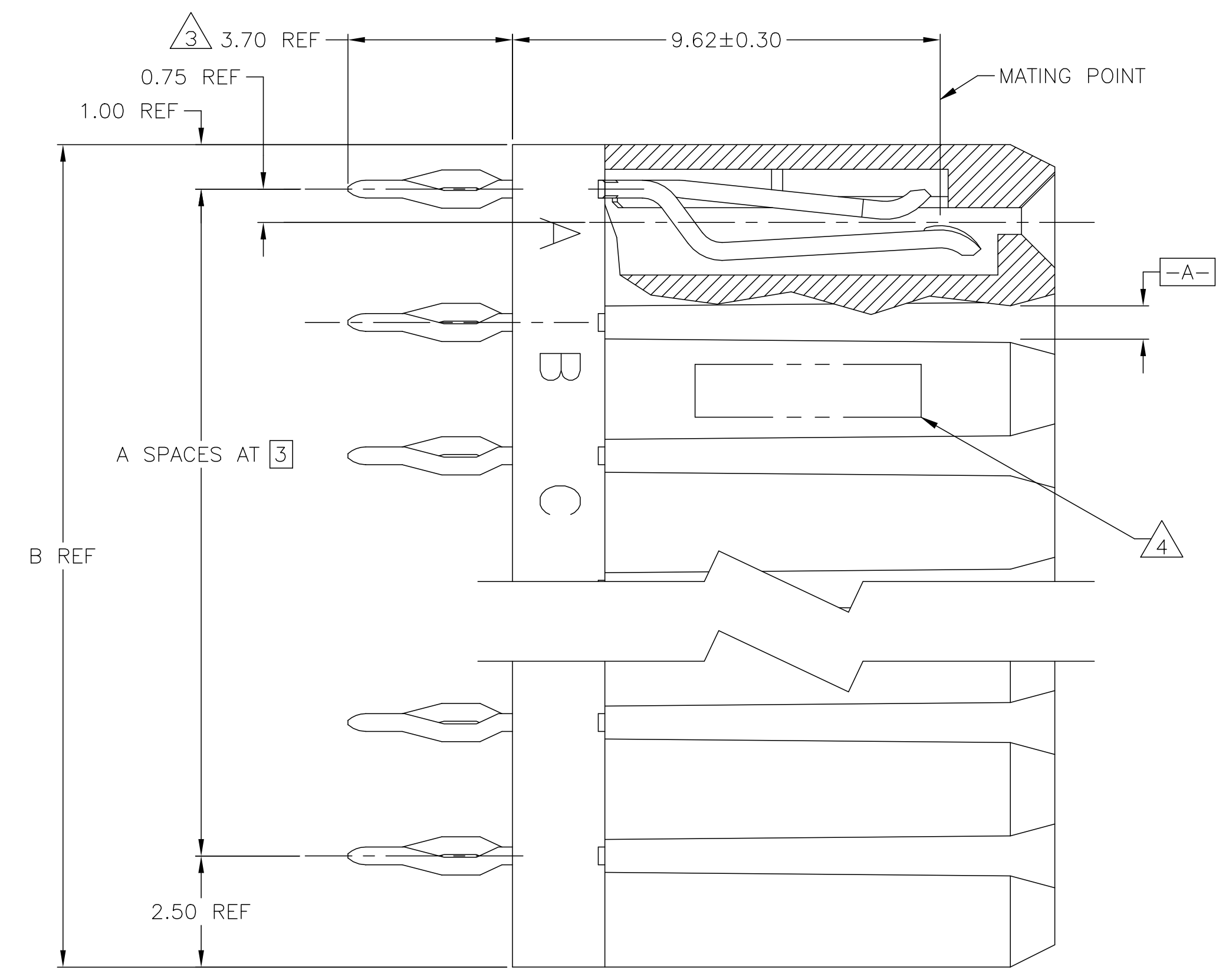
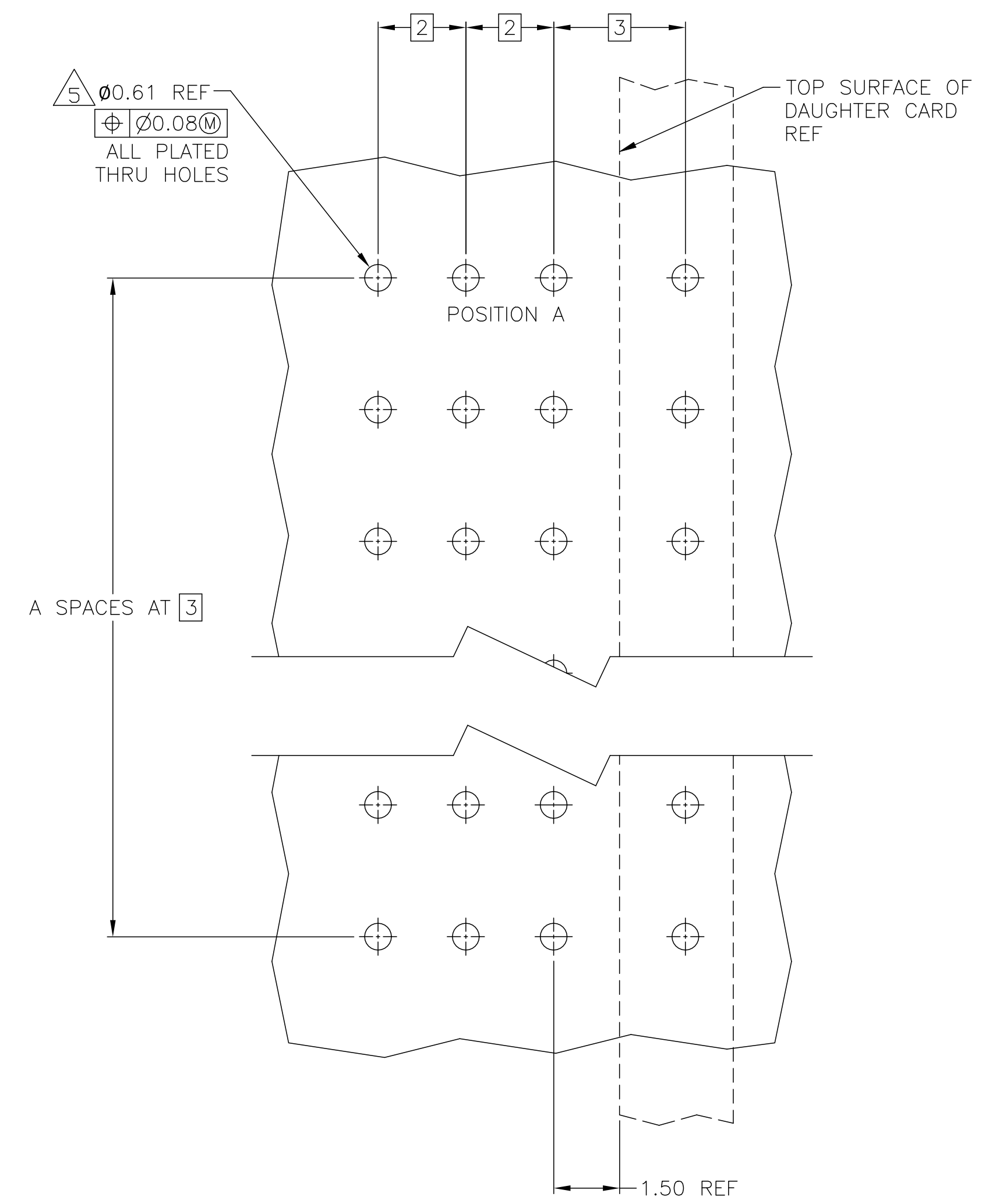
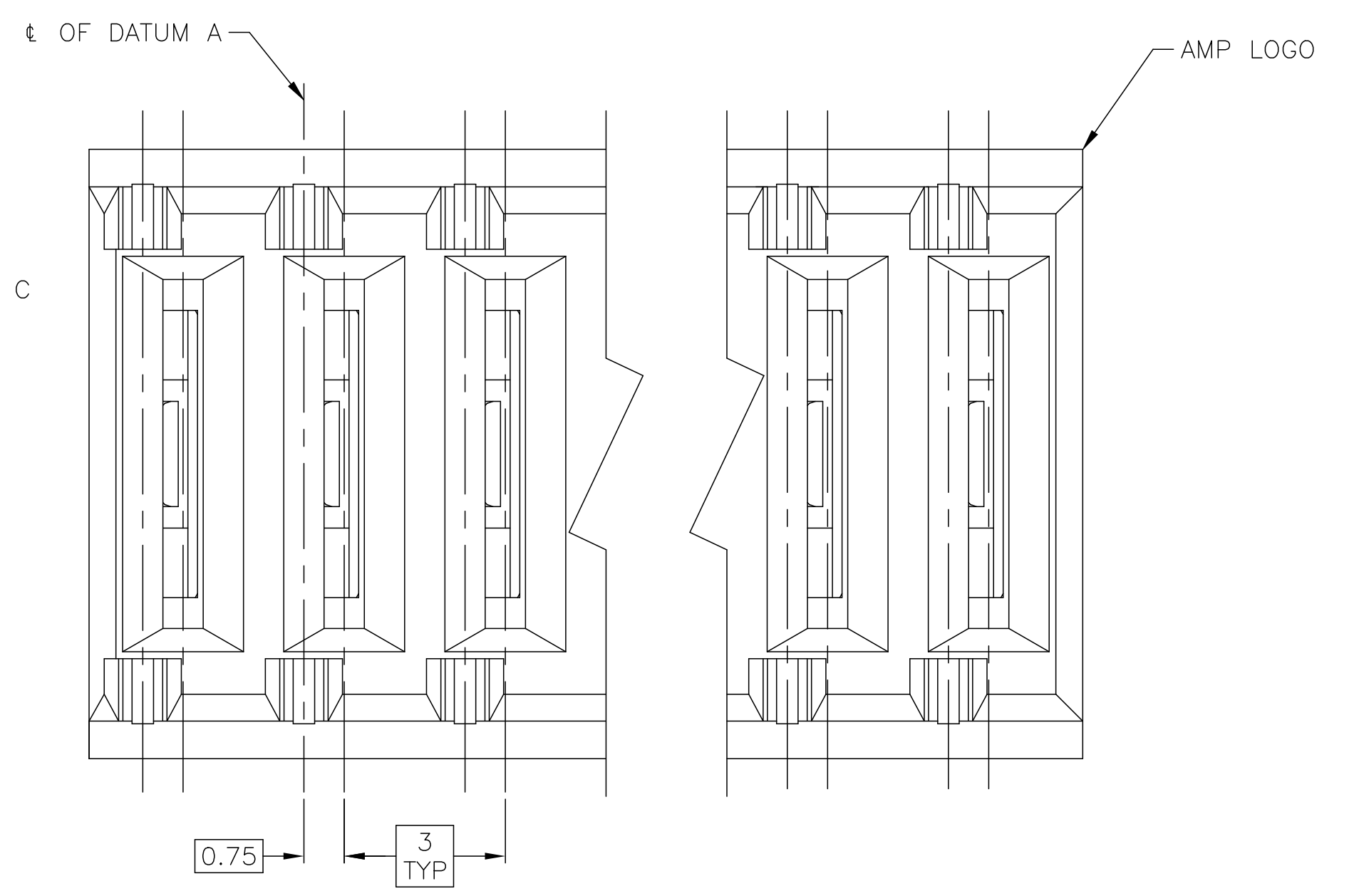
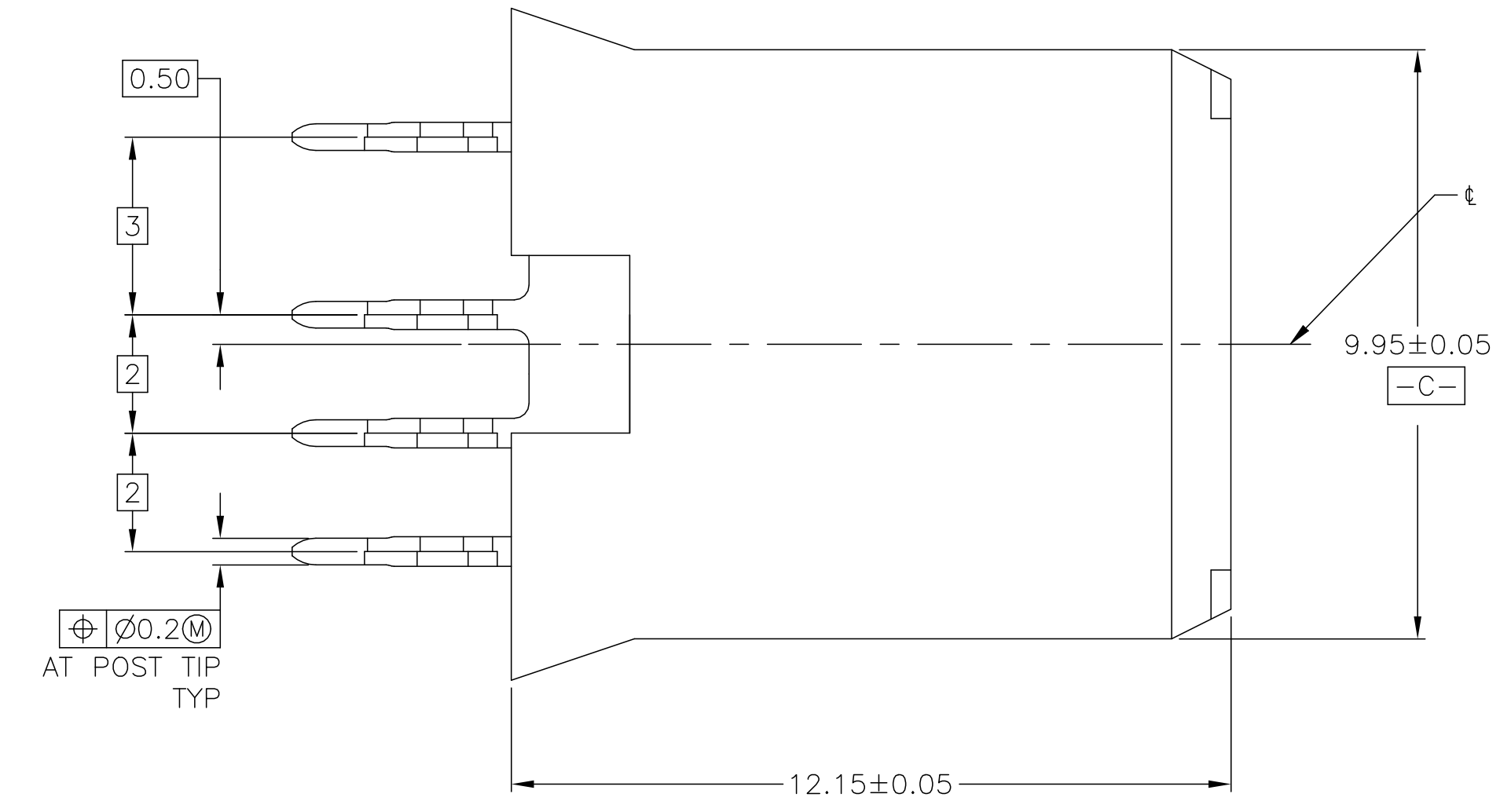
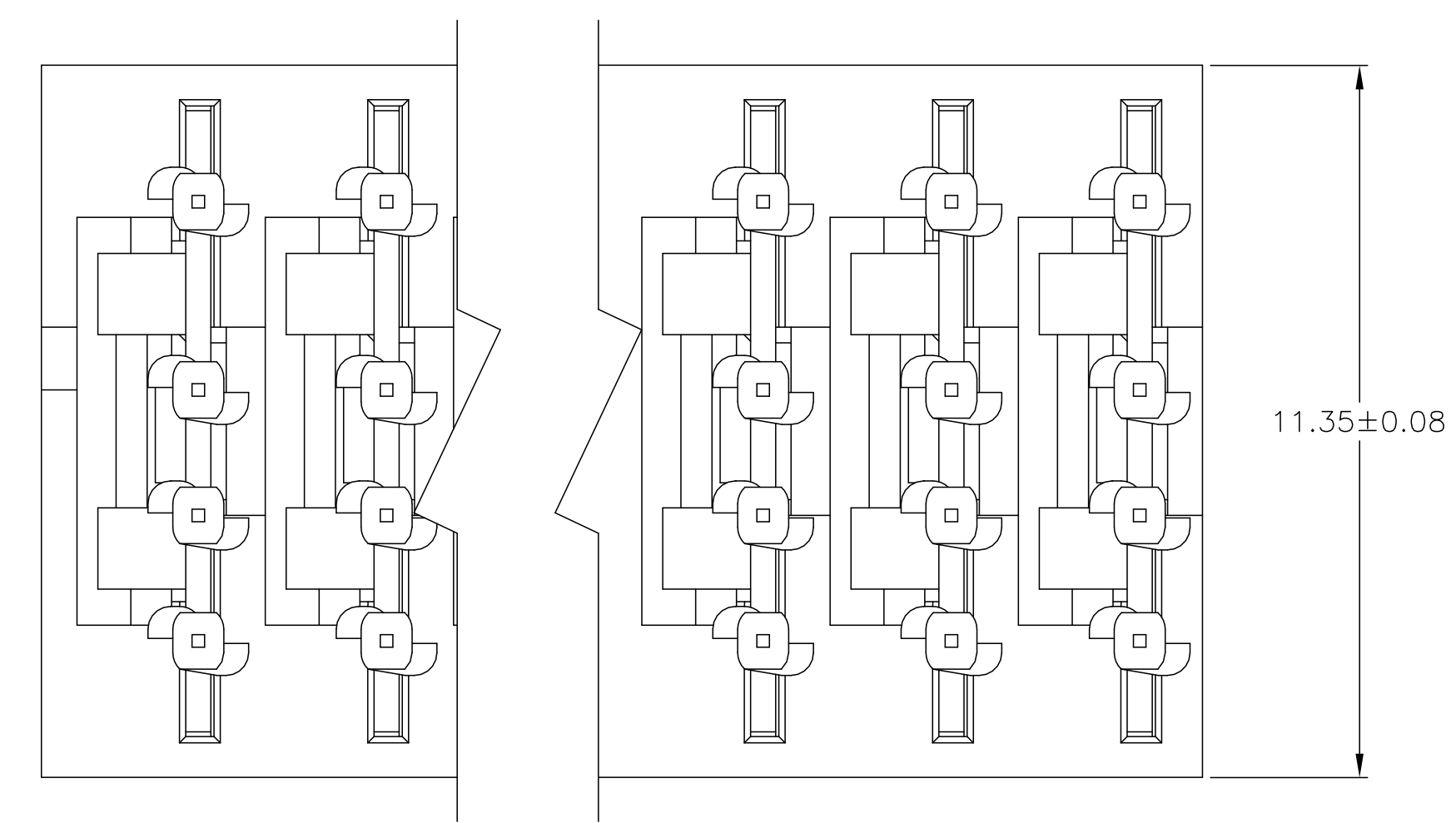


LOC		DIST		REVISIONS			
P	LTR	DESCRIPTION	DATE	OWN	APVD		
B3		REVISED PER ECO-20-004668	08MAY2020	ML	SZ		

- 1 MATERIAL: HOUSING : POLYESTER, GRAY. UL 94V-0. CONTACT: HIGH CURRENT COPPER ALLOY.
- 2 FINISH: IN ACCORDANCE WITH PRODUCT SPECIFICATION 108-1651, GOLD PLATING OR EQUIVALENT PLATING ON PRODUCT CONTACT MATING AREA, AND MATTE TIN PLATING ON COMPLIANT PIN AREA, ALL OVER MATTE NICKEL UNDERPLATED. DETAIL PLEASE REFER TO PRODUCT SPECIFICATION 108-1651.
- 3 TOLERANCE TO BE  $\pm 0.28$  AFTER CONNECTOR IS APPLIED TO PC BOARD.
- 4 DATE CODE THIS APPROXIMATE AREA, OPPOSITE SIDE.
- 5 REFERENCE APPLICATION SPEC 114-1103 FOR RECOMMENDED PLATED THRU HOLE DIAMETER AND PLATING THICKNESS.
- 6 CURRENT RATING 16A/CONTACT PER PRODUCT SPEC 108-1651.
- 7 FINISH: CONTACT LUBRICATION WITH BELLCORE APPROVED LUBRICANT. TECHNICAL REFERENCE: GR-1217-CORE ISSUE 1, NOVEMBER 1995.



RECOMMENDED PCB HOLE LAYOUT

NOTE	PLATING	POSITION	B REF	A	PART NUMBER
NOTE 2	12	36.5	11	120953-9	
NOTE 2	11	33.5	10	120953-8	
NOTE 2	10	30.5	9	120953-7	
NOTE 2	9	27.5	8	120953-6	
NOTE 2	8	24.5	7	120953-5	
NOTE 2	7	21.5	6	120953-4	
NOTE 2	6	18.5	5	120953-3	
NOTE 2	5	15.5	4	120953-2	
NOTE 2	4	12.5	3	120953-1	

THIS DRAWING IS A CONTROLLED DOCUMENT.

DMN: B. CARBO 130CT04  
 CHK: R. PATTERSON 130CT04  
 APVD: R. PATTERSON 130CT04

TE Connectivity

VERTICAL RECEPTACLE ASSEMBLY  
 UNIVERSAL POWER MODULE HC

PRODUCT SPEC: 108-1651  
 APPLICATION SPEC: 114-1103

SIZE: A1 CAGE CODE: 00779 DRAWING NO: 120953  
 WEIGHT: -

CUSTOMER DRAWING SCALE: 10:1 SHEET: 1 OF 1 REV: B3

## X-ON Electronics

Largest Supplier of Electrical and Electronic Components

*Click to view similar products for [Power to the Board](#) category:*

*Click to view products by [TE Connectivity](#) manufacturer:*

Other Similar products are found below :

[6450171-4](#) [6450552-7](#) [6600323-8](#) [6643429-1](#) [6646040-2](#) [6651939-1](#) [6766604-1](#) [120959-1](#) [1393557-2](#) [1393532-2](#) [1393532-3](#) [1393532-4](#)  
[1393557-1](#) [1600812-5](#) [1-6450861-2](#) [1744132-7](#) [1761122-1](#) [1766250-1](#) [1892109-1](#) [2-6450860-5](#) [2-6450870-0](#) [1-6450161-4](#) [1-6450850-6](#) [1-](#)  
[6450869-6](#) [1645526-2](#) [1-6600130-0](#) [2005243-2](#) [377-0020-11130](#) [TE34-12-16P-F0](#) [51700-10201602AALF](#) [5-6450830-6](#) [5646956-4](#) [377-](#)  
[0080-11131A](#) [4-6450830-9](#) [4-6600333-3](#) [10125416-4050LF](#) [10130248-005LF](#) [6600320-3](#) [3-6450860-5](#) [1888123-2](#) [6450166-1](#) [6643978-1](#)  
[6766605-1](#) [701-15-02109](#) [N11444](#) [6651938-1](#) [6450810-7](#) [46437-1112](#) [1-1589677-8](#) [5646956-5](#)