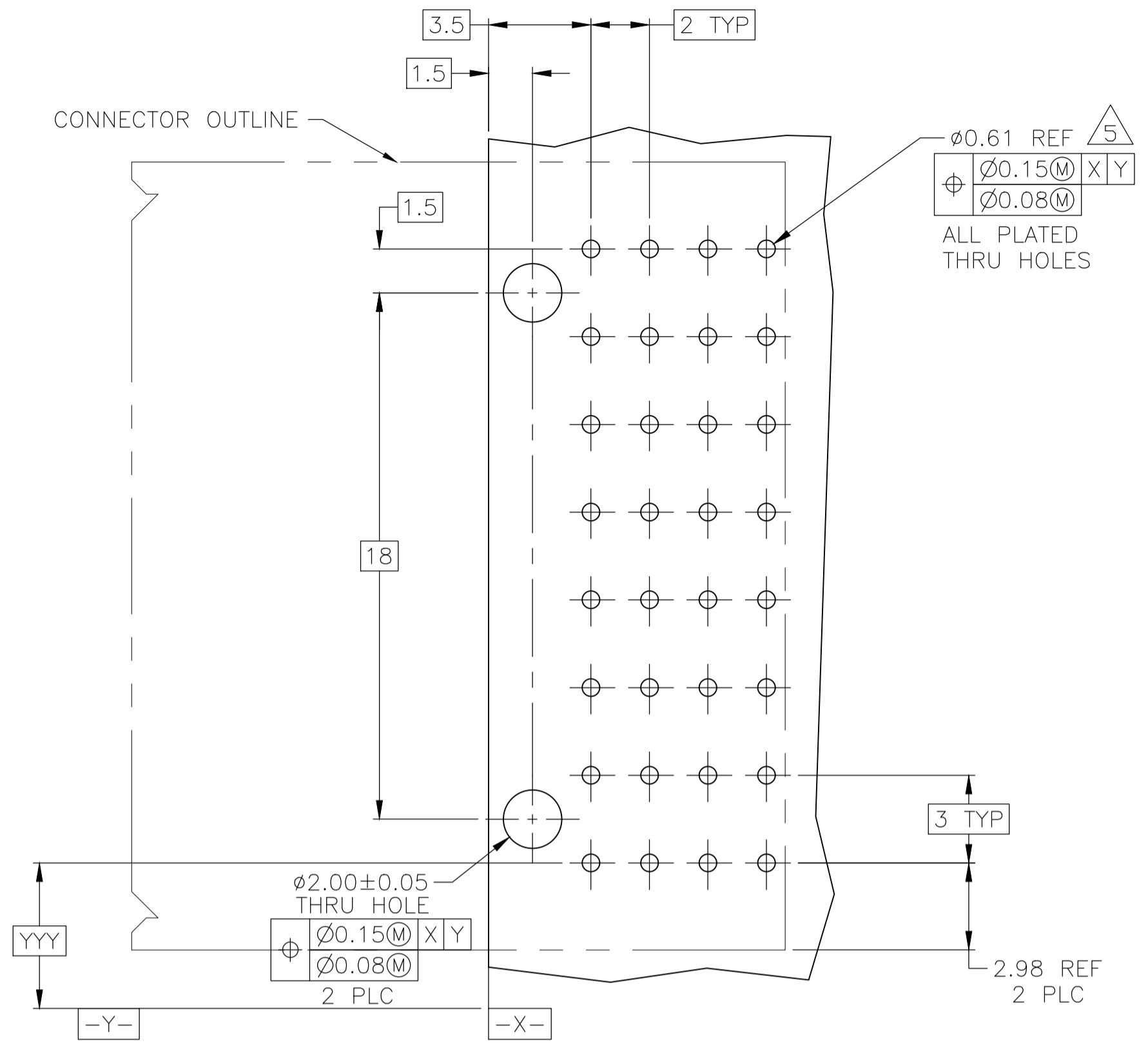
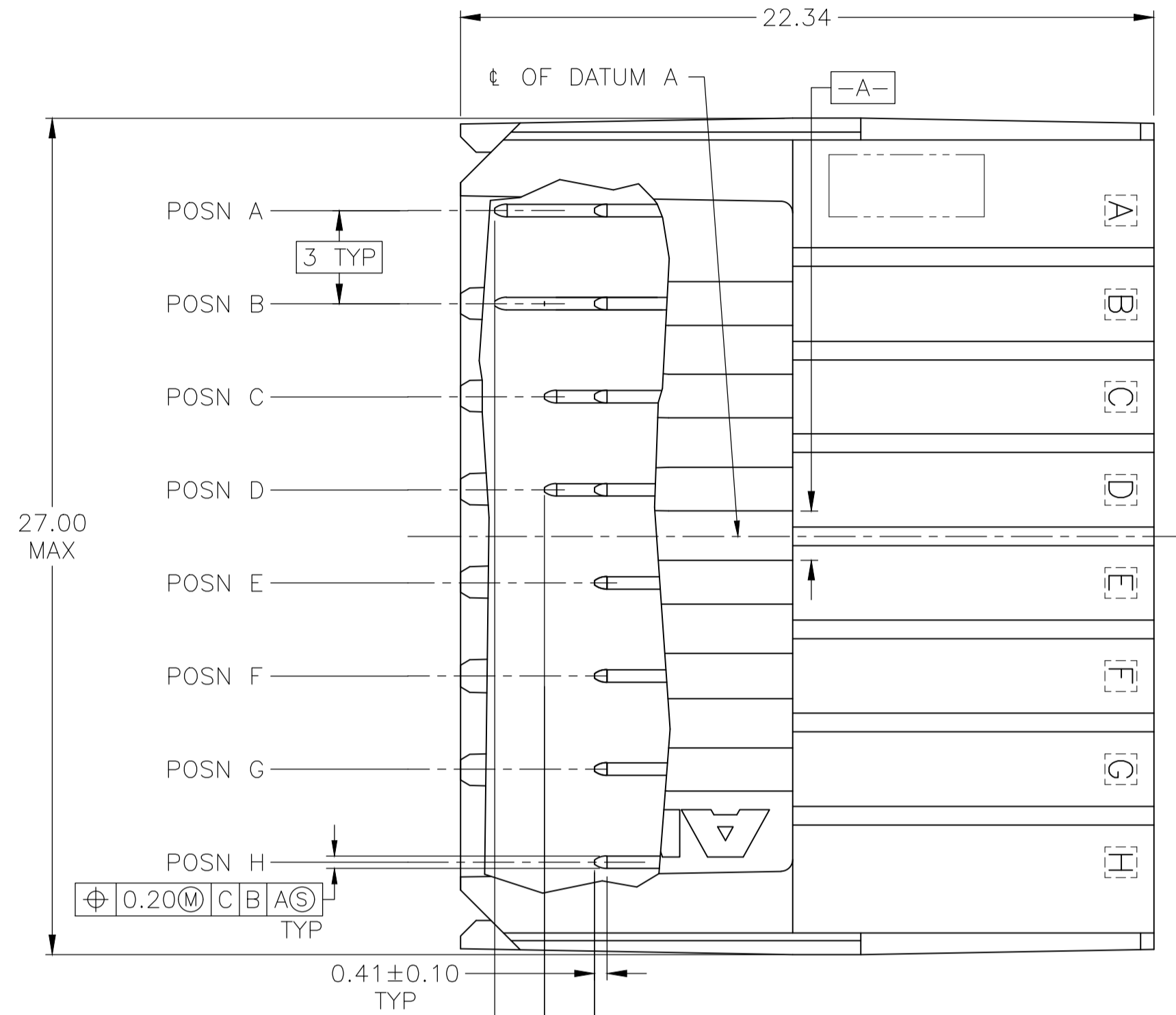


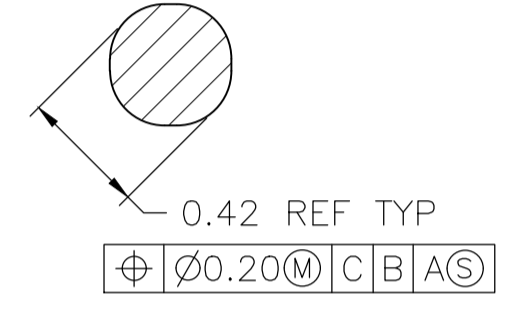
| REVISIONS |         |               |         |       |
|-----------|---------|---------------|---------|-------|
| P         | LTR     | DESCRIPTION   | DATE    | APP'D |
| E1        | REV PER | ECO-20-004668 | 04JAN11 | ML SZ |



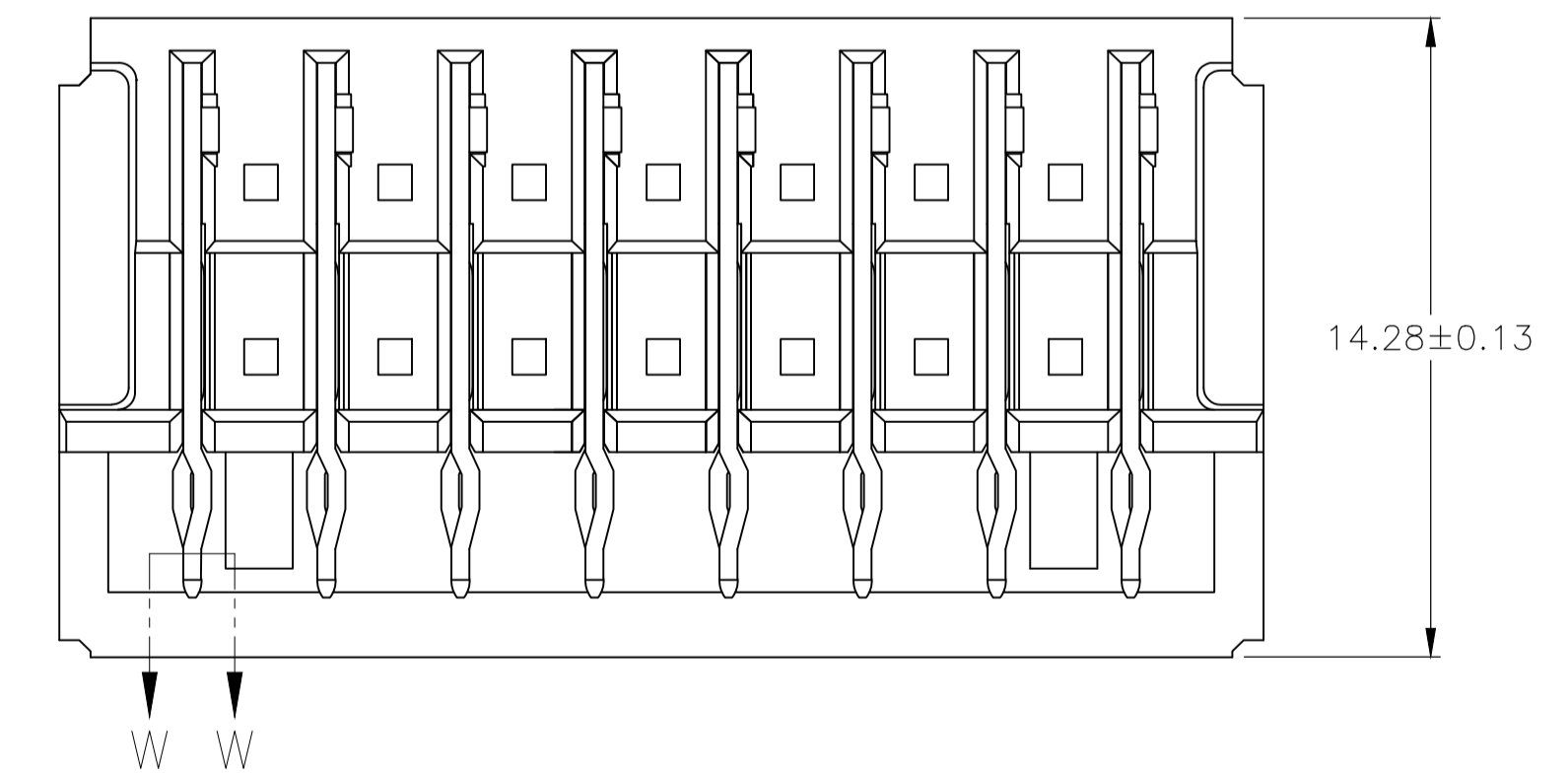
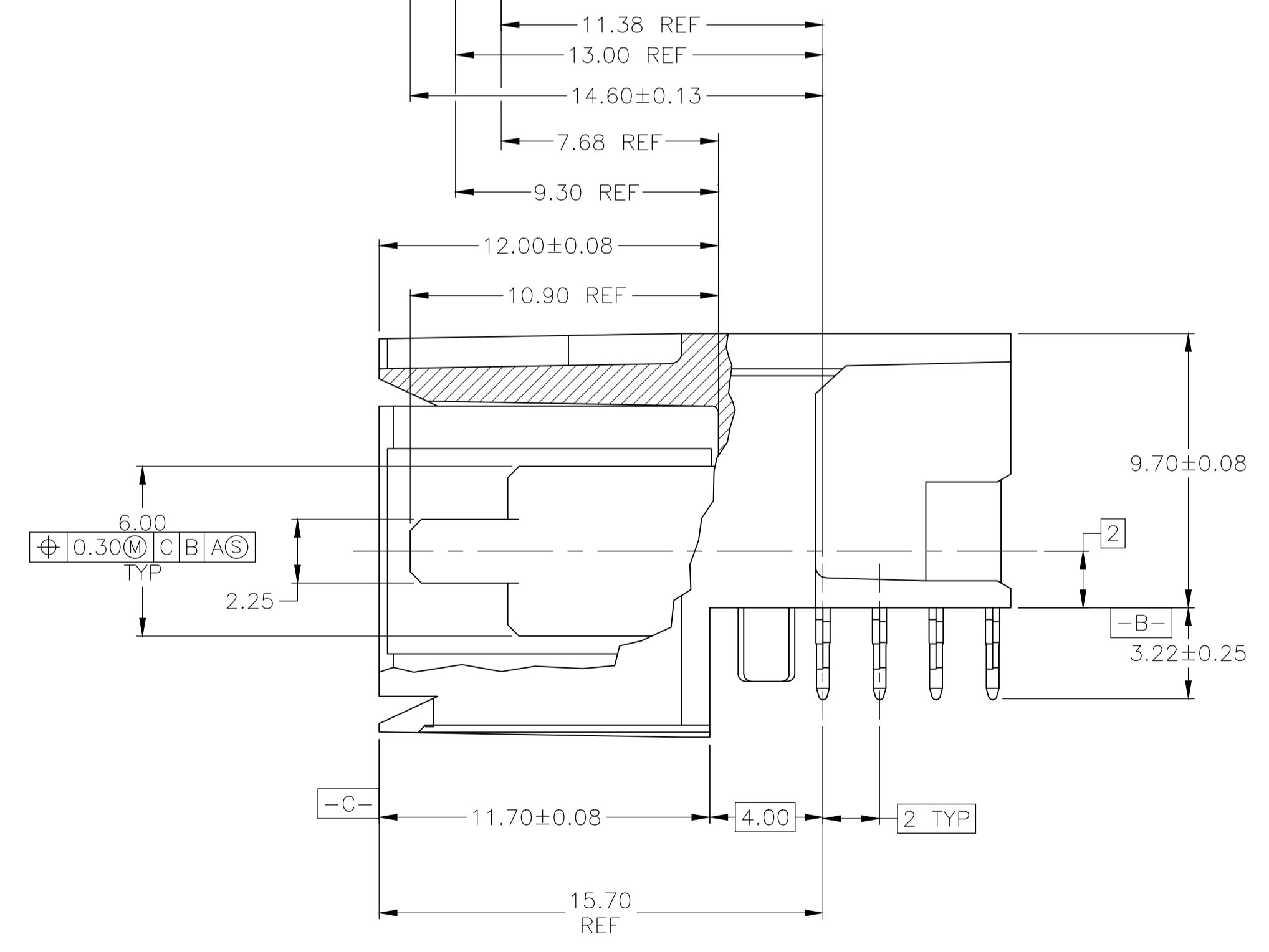
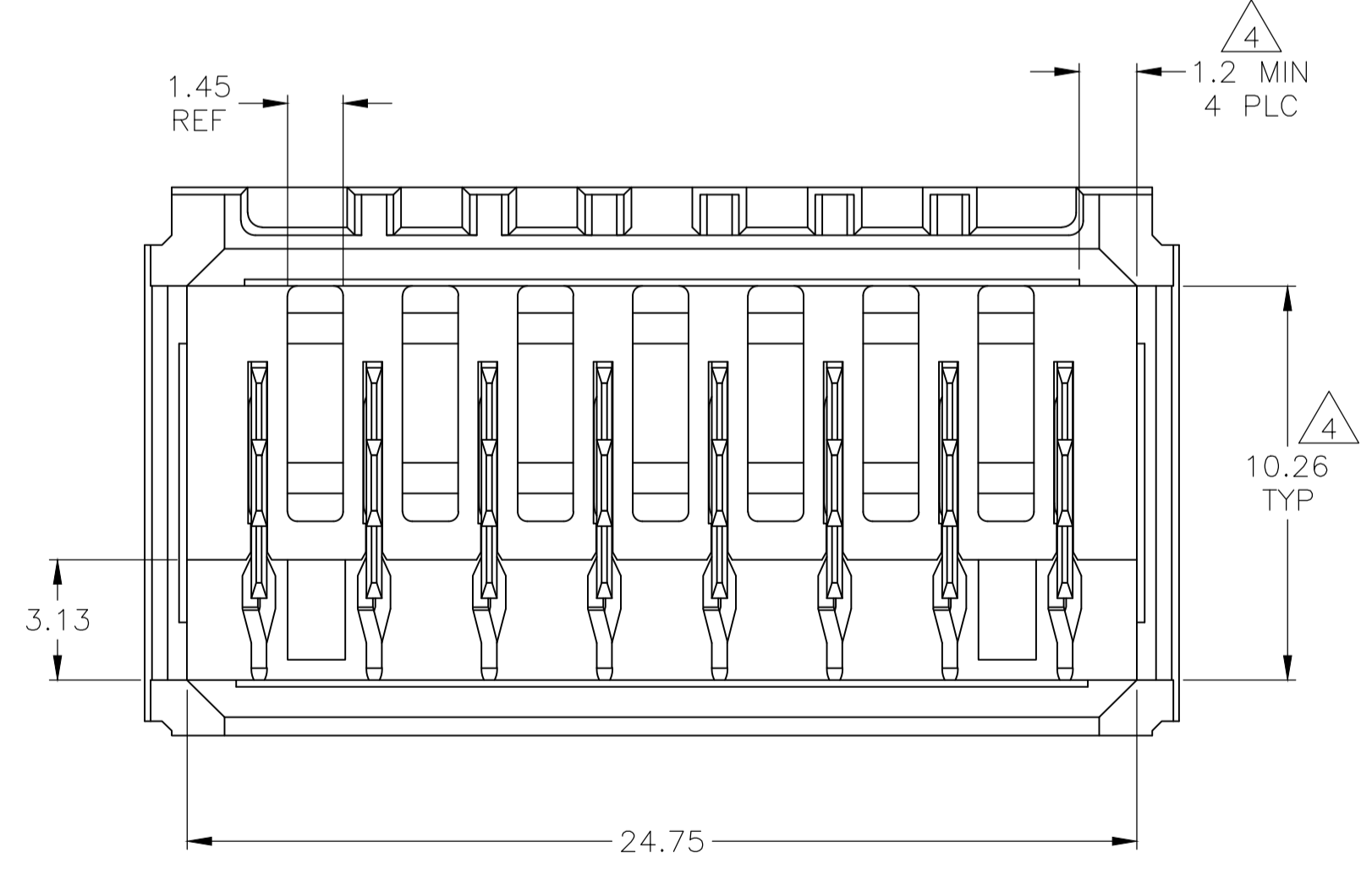
RECOMMENDED PCB HOLE LAYOUT



- 1 MATERIAL: HOUSING: POLYESTER, GRAY. UL 94V-0. CONTACT: HIGH CURRENT COPPER ALLOY.
- 2 FINISH: IN ACCORDANCE WITH PRODUCT SPECIFICATION 108-1651, GOLD PLATING OR EQUIVALENT PLATING ON PRODUCT CONTACT MATING AREA, AND MATTE TIN PLATING ON COMPLIANT PIN AREA, ALL OVER MATTE NICKEL UNDERPLATED. DETAIL PLEASE REFER TO PRODUCT SPECIFICATION 108-1651.
- 3 FINISH: CONTACT LUBRICATION WITH BELLCORE APPROVED LUBRICANT. TECHNICAL REFERENCE: GR-1217-CORE, ISSUE 1, NOVEMBER 1995.
- 4 THE 10.26±0.13 DIMENSION APPLIES IN THIS AREA.
- 5 REFERENCE APPLICATION SPEC 114-1103 FOR RECOMMENDED PLATED THRU HOLE DIAMETER AND PLATING THICKNESSES.
- 6. CURRENT RATING 16A/CONTACT PER PRODUCT SPEC 108-1651.



SECTION W-W  
SCALE 40:1



| A  | B  | C,D,E,F,G,H   | 8                            | 120958-2       |
|--|--|---|------------------------------|----------------|
| A,B,C,D,E,F,G,H  | -  | -   | 8                            | 120958-1       |
| POSITIONS LOADED WITH<br>10.90 REF CONTACTS  | POSITIONS LOADED WITH<br>9.30 REF CONTACTS | POSITIONS LOADED WITH<br>7.68 REF CONTACTS  | NO OF<br>LOADED<br>POSITIONS | PART<br>NUMBER |
| THIS DRAWING IS A CONTROLLED DOCUMENT.   |  | DIN B CARBO 11OCT04<br>CIK R PATTERSON 11OCT04<br>APVD R PATTERSON 11OCT04<br>NAME<br>PRODUCT SPEC<br>108-1651<br>APPLICATION SPEC<br>114-1103<br>WEIGHT 0.000000<br>CUSTOMER DRAWING |                              |                |
| DIMENSIONS:<br>mm<br>TOLERANCES UNLESS<br>OTHERWISE SPECIFIED:<br>0 PLC ± -<br>1 PLC ± ±<br>2 PLC ± ± 0.13<br>3 PLC ± ±<br>4 PLC ± ±<br>ANGLES ± ± |  | STE TE Connectivity<br>RIGHT ANGLE HEADER ASSY<br>W/ RETENTION PEGS<br>UNIVERSAL POWER MODULE<br>SIZE CAGE CODE DRAWING NO<br>A1 00779 C=120958<br>SCALE 6:1 SHEET 1 OF 1 REV E1      |                              |                |

## X-ON Electronics

Largest Supplier of Electrical and Electronic Components

*Click to view similar products for [High Speed/Modular Connectors](#) category:*

*Click to view products by [TE Connectivity](#) manufacturer:*

Other Similar products are found below :

[650827-1](#) [74040-1346](#) [1410191-1](#) [1410368-3](#) [1410964-2](#) [1410326-3](#) [1410367-3](#) [1410971-4](#) [1467833-1](#) [2000877-1](#) [2000878-1](#) [2041314-1](#)  
[2065387-1](#) [2187307-1](#) [163P](#) [1934290-1](#) [2000875-1](#) [2065917-1](#) [2102736-2](#) [FSR-40](#) [2169868-2](#) [22354-8](#) [437-5040-000](#) [5-1393565-0](#) [039-](#)  
[0246-000](#) [0761601016](#) [0784461022](#) [10123159-12ELF](#) [030-2415-003/100 PK](#) [030-7380-004](#) [030-2494-001](#) [532939-1](#) [5532901-3](#) [3-1469268-](#)  
[7](#) [74748-102LF](#) [73670-0247](#) [10041743-101LF](#) [10066670-100002LF](#) [1-533915-1](#) [249-4515-000](#) [7-1469373-3](#) [DL2-2J/S](#) [2000713-8](#)  
[2000713-7](#) [10124313-101LF](#) [3011-21](#) [757105208](#) [EBTF-4-10-2.0-S-RA-1](#) [430305-001](#) [4395800100](#)