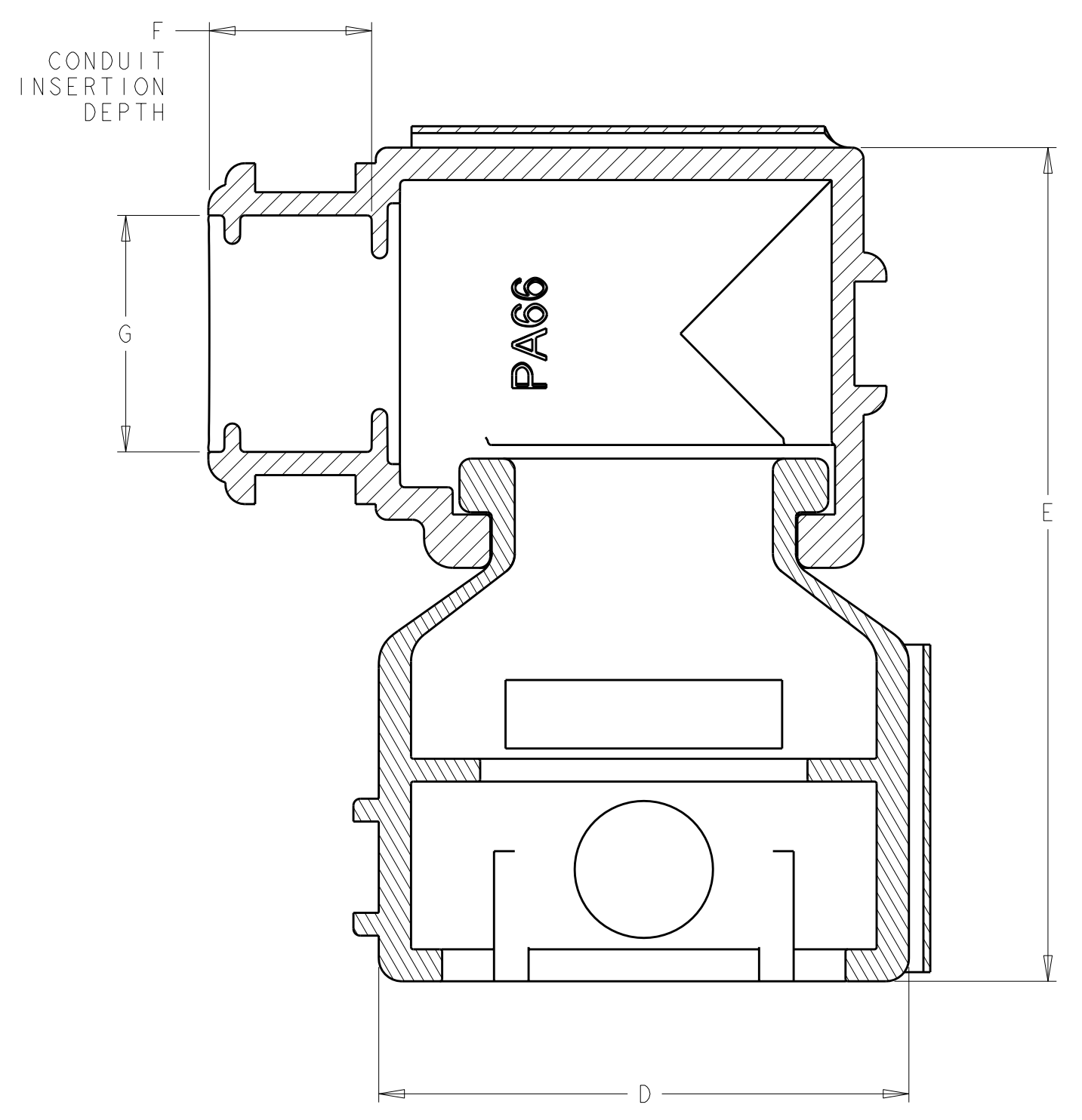
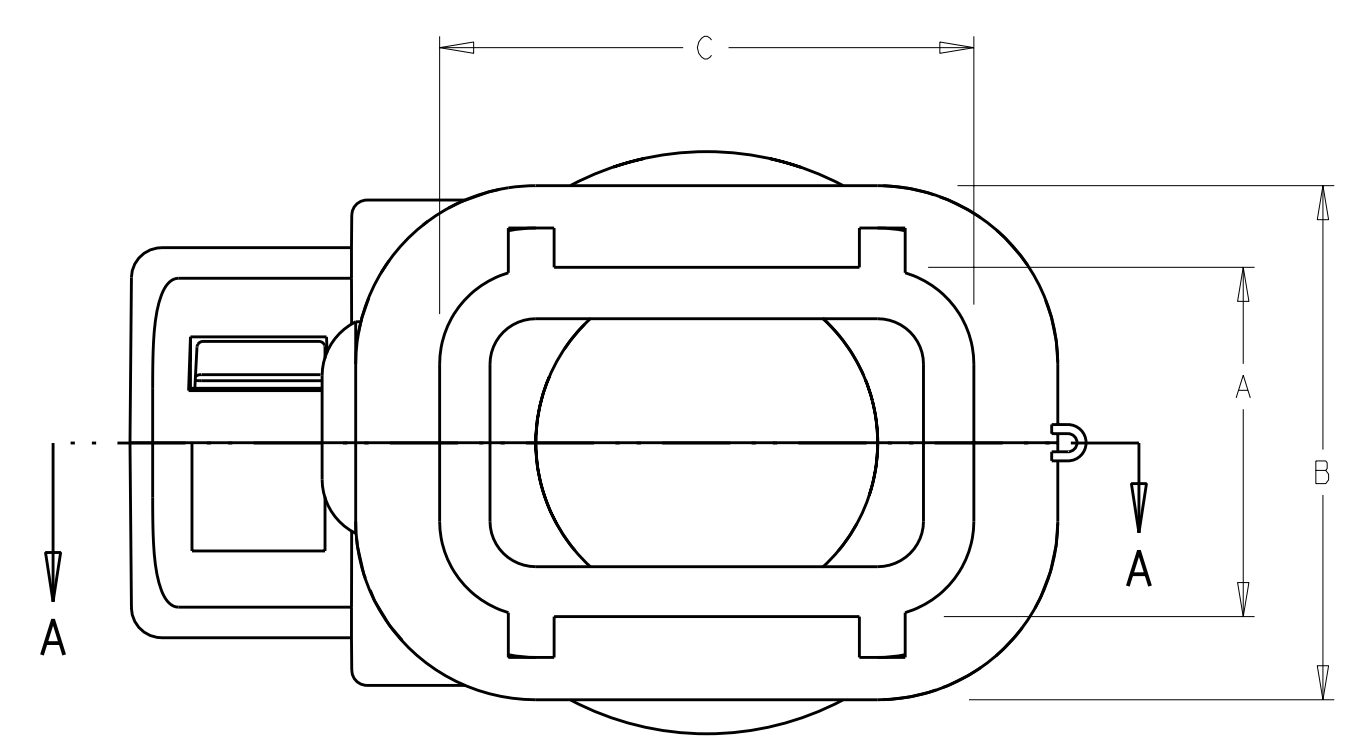
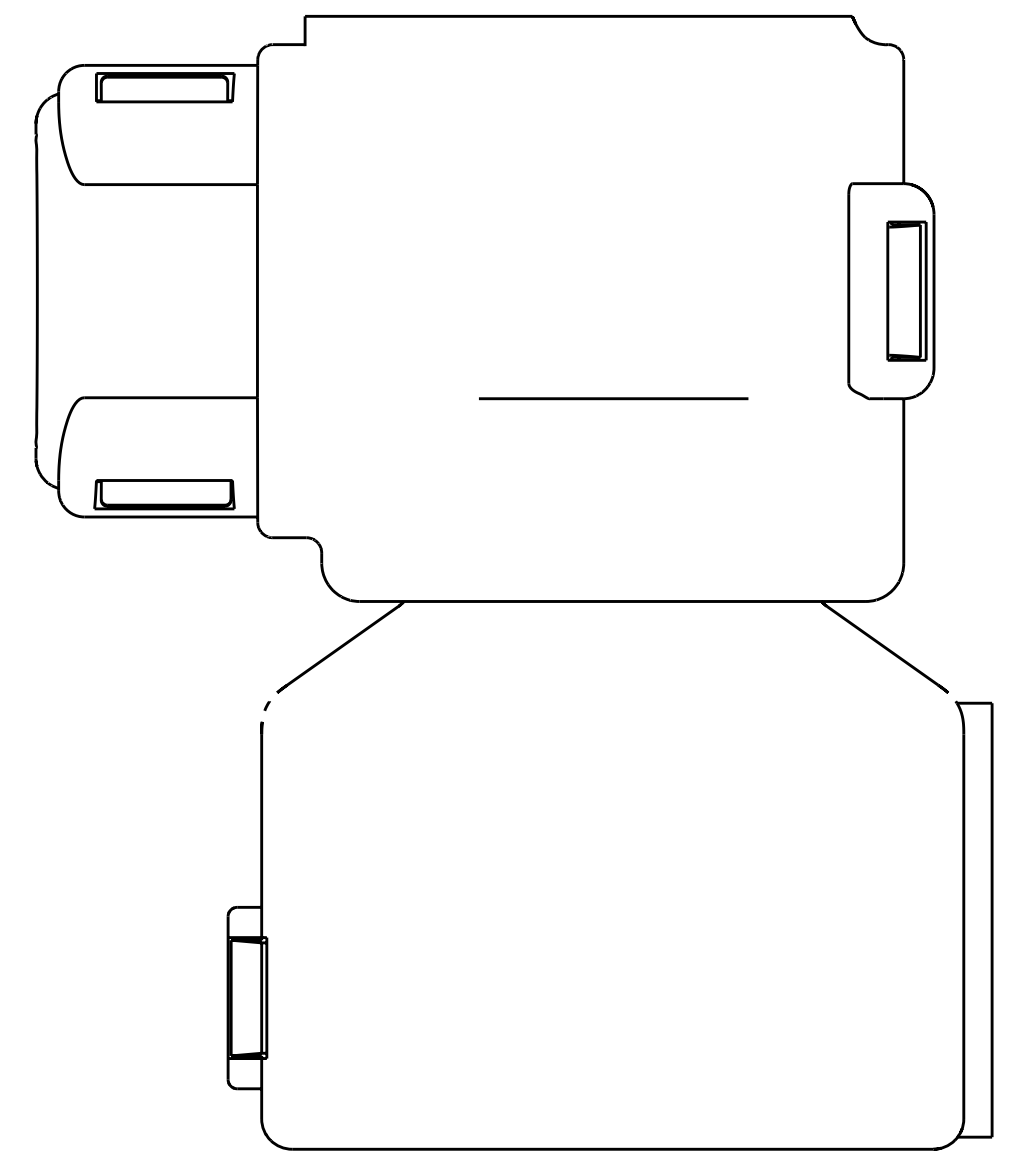
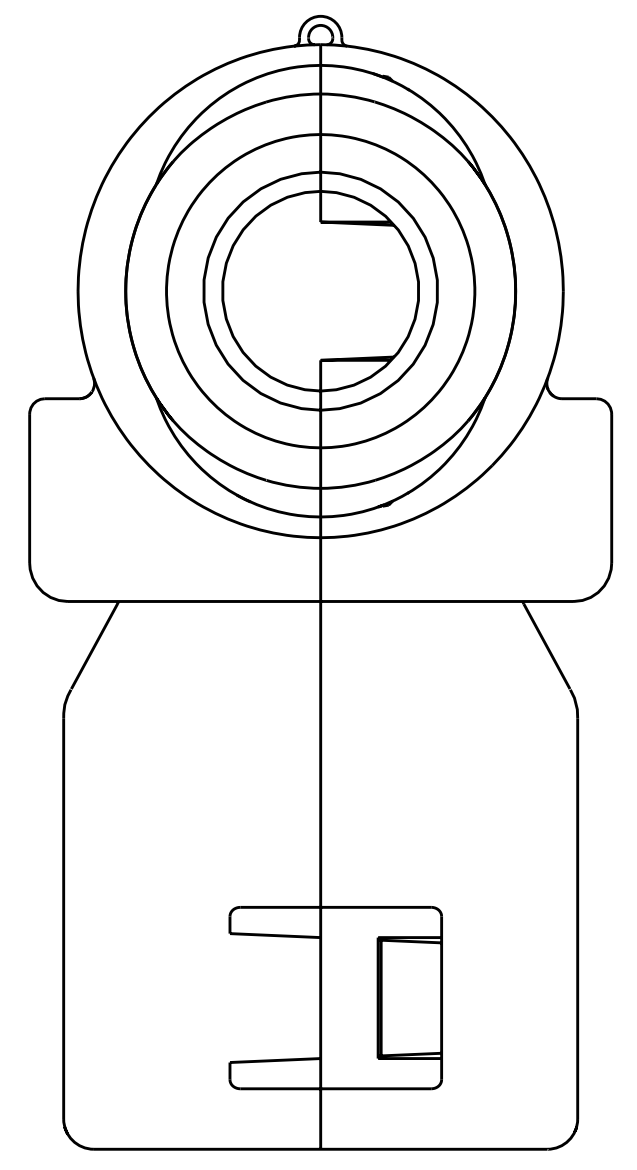
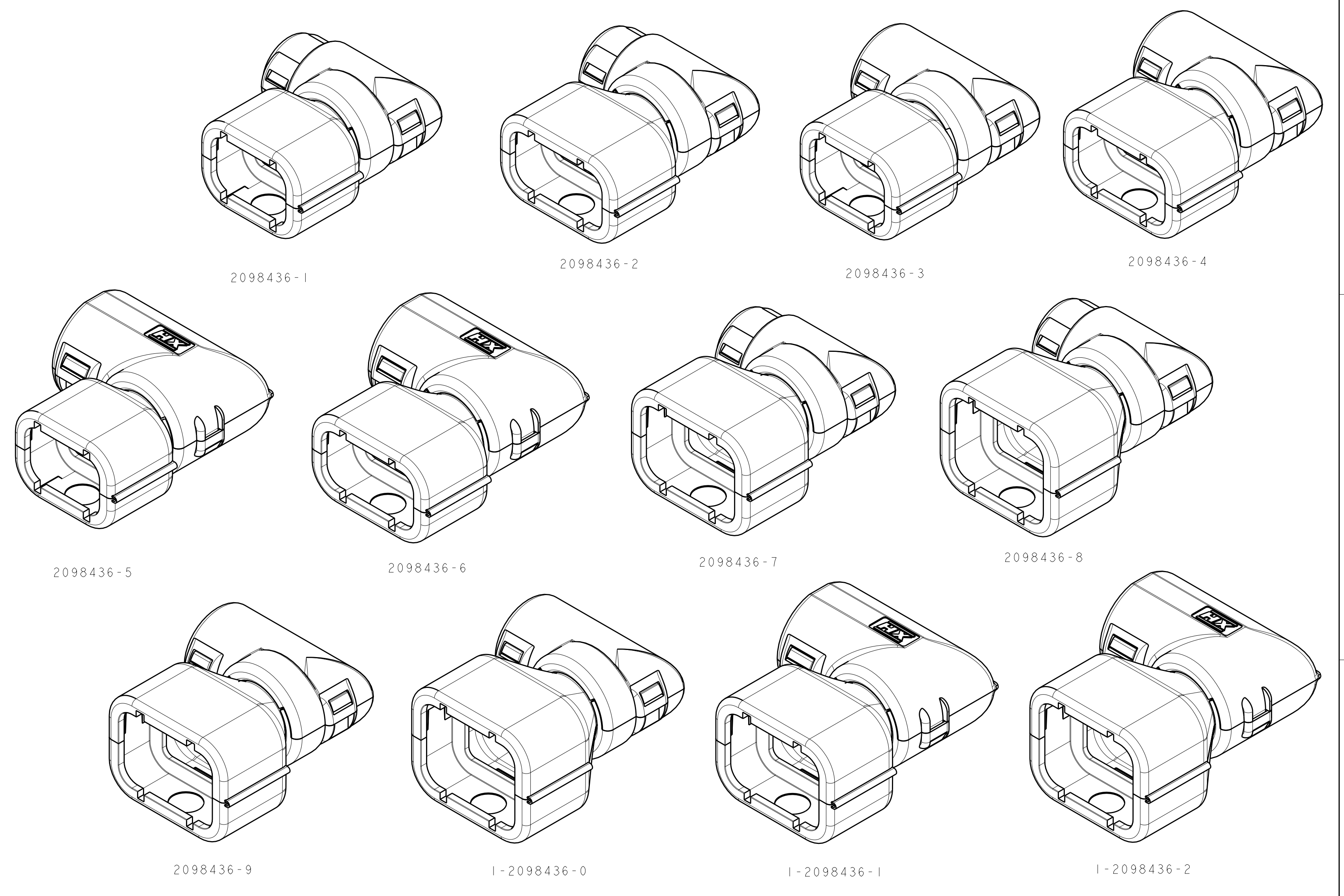


| LOC | DIST | REVISIONS | | | |
|-----|------|----------------------------|-------------|-----|------|
| P | LTN | DESCRIPTION | DATE | DWN | APVD |
| | | | | | |
| I | | PROPOSED | 11 JUN 2009 | RW | RB |
| A | | RELEASED PER ECO-09-017979 | 03 AUG 2009 | DD | RB |



SECTION A-A



1. ELBOW DESIGN ALLOWS FOR 360° EXIT ROTATION

| G | F | E | D | C | B | A | NW CONDUIT SIZE | NC CONDUIT SIZE | CONNECTOR POSITIONS | TYCO ELECTRONICS PART NO. |
|------|------|------|------|------|------|------|-----------------|-----------------|---------------------|---------------------------|
| 16.5 | 10.6 | 45.8 | 27.7 | 22.2 | 22.5 | 17.0 | 13 | 16 | 6 | 1-2098436-2 |
| 16.5 | 10.6 | 43.8 | 27.7 | 22.2 | 20.6 | 15.1 | 13 | 16 | 4 | 1-2098436-1 |
| 13.5 | 7.2 | 42.1 | 27.7 | 22.2 | 22.5 | 17.0 | 10 | 12 | 6 | 1-2098436-0 |
| 13.5 | 7.2 | 40.1 | 27.7 | 22.2 | 20.6 | 15.1 | 10 | 12 | 4 | 2098436-9 |
| 10.4 | 7.2 | 42.1 | 27.7 | 22.2 | 22.5 | 17.0 | 7.5 | 08 | 6 | 2098436-8 |
| 10.4 | 7.2 | 40.1 | 27.7 | 22.2 | 20.6 | 15.1 | 7.5 | 08 | 4 | 2098436-7 |
| 16.5 | 10.6 | 42.7 | 27.3 | 21.6 | 17.1 | 11.6 | 13 | 16 | 3 | 2098436-6 |
| 16.5 | 10.6 | 40.2 | 23.2 | 17.5 | 17.0 | 11.6 | 13 | 16 | 2 | 2098436-5 |
| 13.5 | 7.2 | 39.0 | 27.3 | 21.6 | 17.1 | 11.6 | 10 | 12 | 3 | 2098436-4 |
| 13.5 | 7.2 | 36.5 | 23.2 | 17.5 | 17.0 | 11.6 | 10 | 12 | 2 | 2098436-3 |
| 10.4 | 7.2 | 39.0 | 27.3 | 21.6 | 17.1 | 11.6 | 7.5 | 08 | 3 | 2098436-2 |
| 10.4 | 7.2 | 36.5 | 23.2 | 17.5 | 17.0 | 11.6 | 7.5 | 08 | 2 | 2098436-1 |

| | | | | | | | |
|-----------------------|--|--|--|--|--|--|--|
| DIMENSIONS: mm | | TOLERANCES UNLESS OTHERWISE SPECIFIED: 9 PLC ±0.5 5 PLC ±0.25 4 PLC ±0.15 ANGLES ±1° FINISH - | | DWN: RUSTY WORTHINGTON CHK: ROGER BALTER APVD: ROGER BALTER DATE: 11 JUN 2009 NAME: BACKSHELL, RIGHT-ANGLE, LOW PROFILE CAP CONNECTOR, NW/NC CONDUIT AMPSEAL 16 PRODUCT SPEC: APPLICATION SPEC: WEIGHT: CUSTOMER DRAWING | | Tyco Electronics Harrisburg, PA 17105-3608 SCALE: 2:1 SHEET: 1 OF 1 REV: A | |
|-----------------------|--|--|--|--|--|--|--|

X-ON Electronics

Largest Supplier of Electrical and Electronic Components

Click to view similar products for [Automotive Connectors](#) category:

Click to view products by [TE Connectivity](#) manufacturer:

Other Similar products are found below :

[003-018-000](#) [60403001](#) [60993906-B](#) [M902-2131](#) [M902-2161](#) [M902-2344](#) [72.330.1035.1](#) [73.353.4028.0](#) [F119300-B](#) [F166900](#) [F258300-B](#)
[F358300-B](#) [F407400](#) [F444110](#) [F487000](#) [F509500B-B](#) [827153-1](#) [8N1515-32-24P](#) [9-1326729-8](#) [925474-1](#) [928905-1](#) [964562-4](#) [968782-1](#)
[GT17SA-8DS-HU](#) [98891-1012](#) [98947-1016](#) [12004147](#) [12004475-L](#) [12010290](#) [12015454](#) [12020219-B](#) [12041318-B](#) [12052225-L](#) [12052466](#)
[12064869](#) [12004327-B](#) [12015308](#) [12015384](#) [12015909](#) [1-21030-1](#) [12041254](#) [12041318](#) [12047946-B](#) [12047957](#) [12047957-L](#) [12059473](#)
[12066261](#) [12110546](#) [12110546-B](#) [12131792](#)