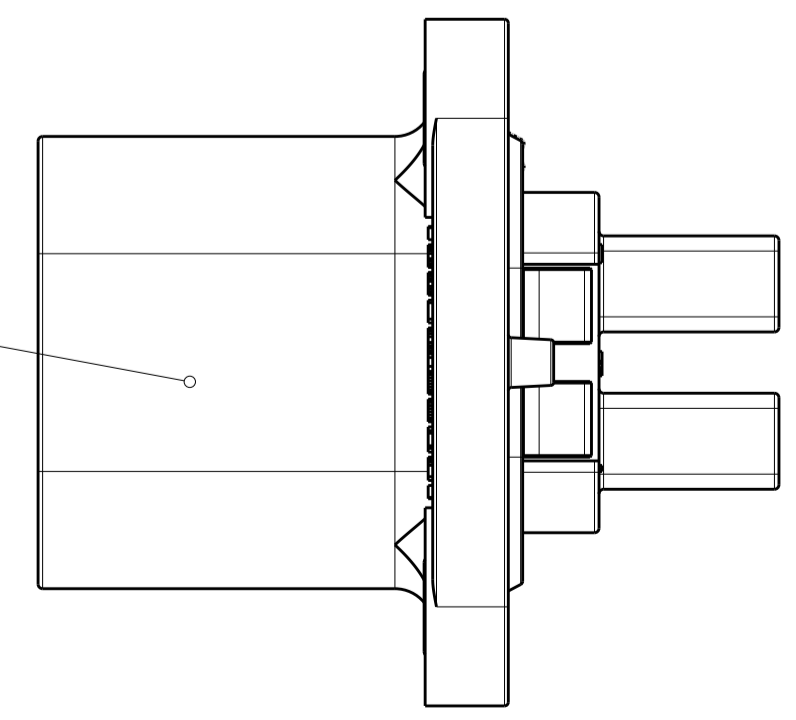
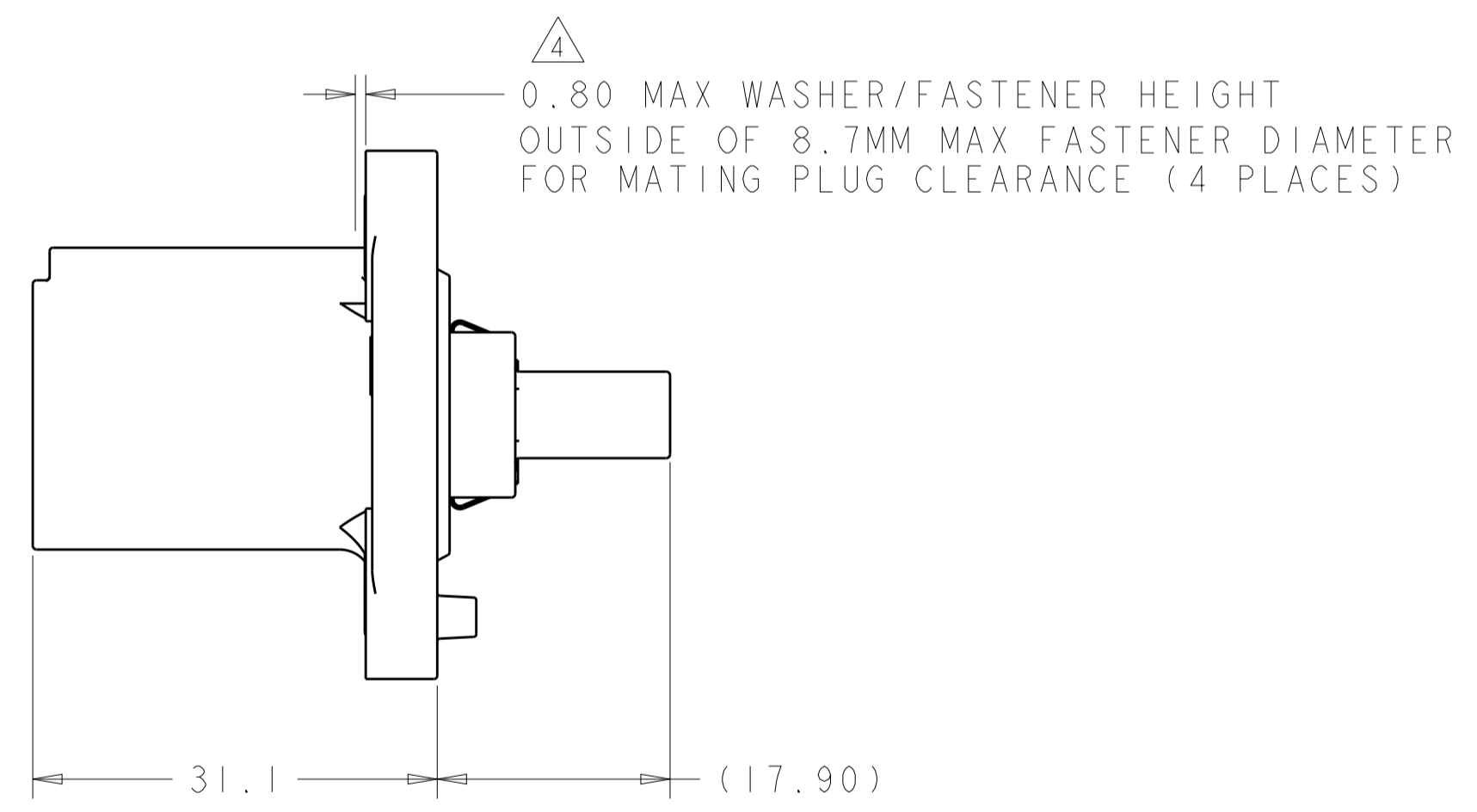
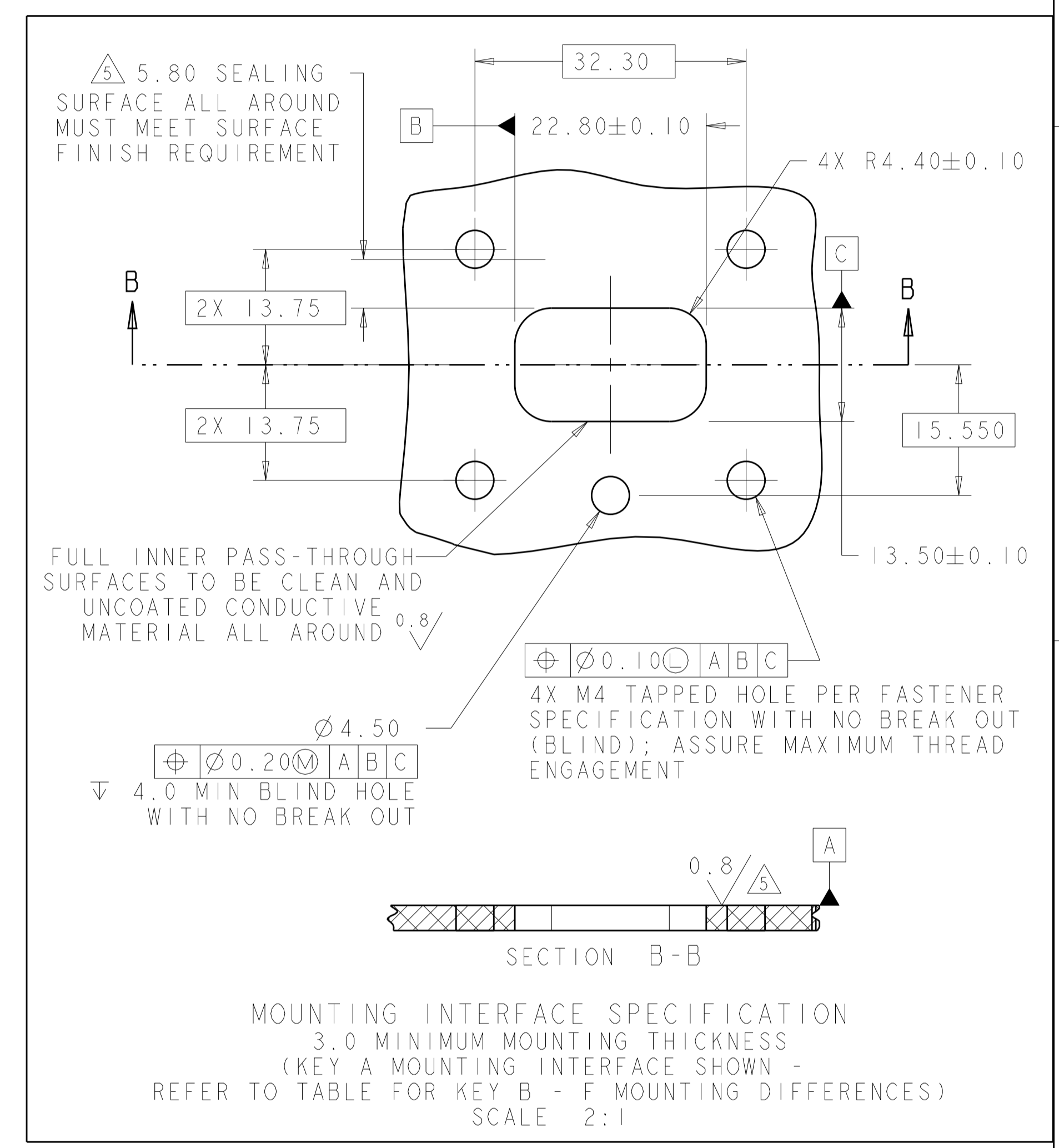
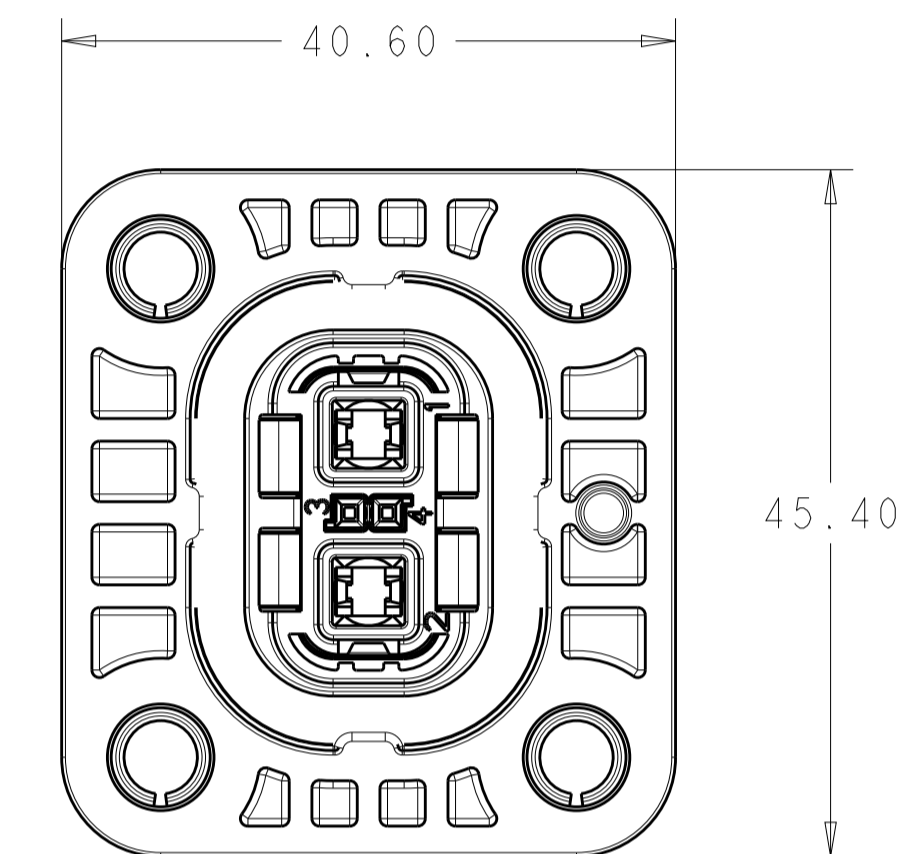
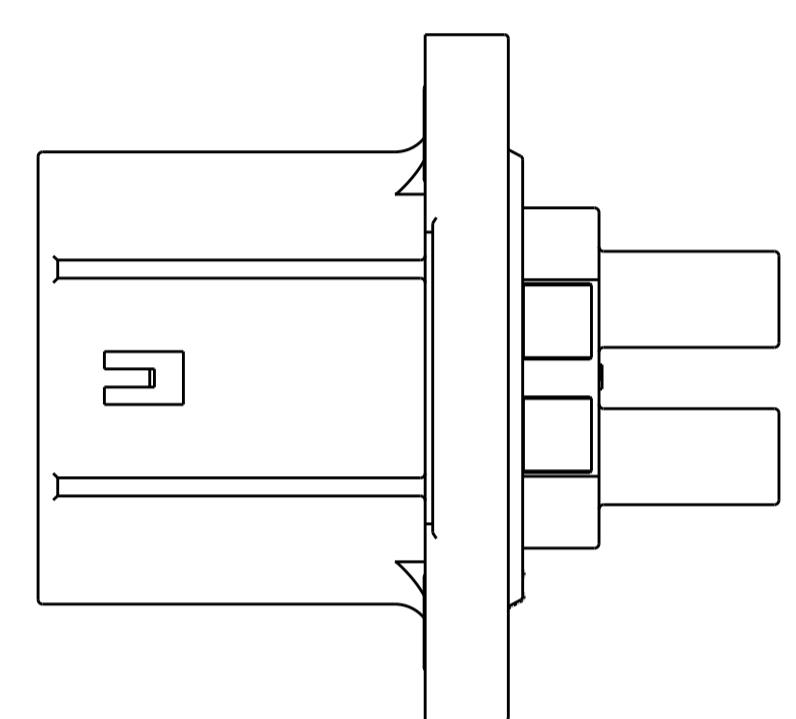
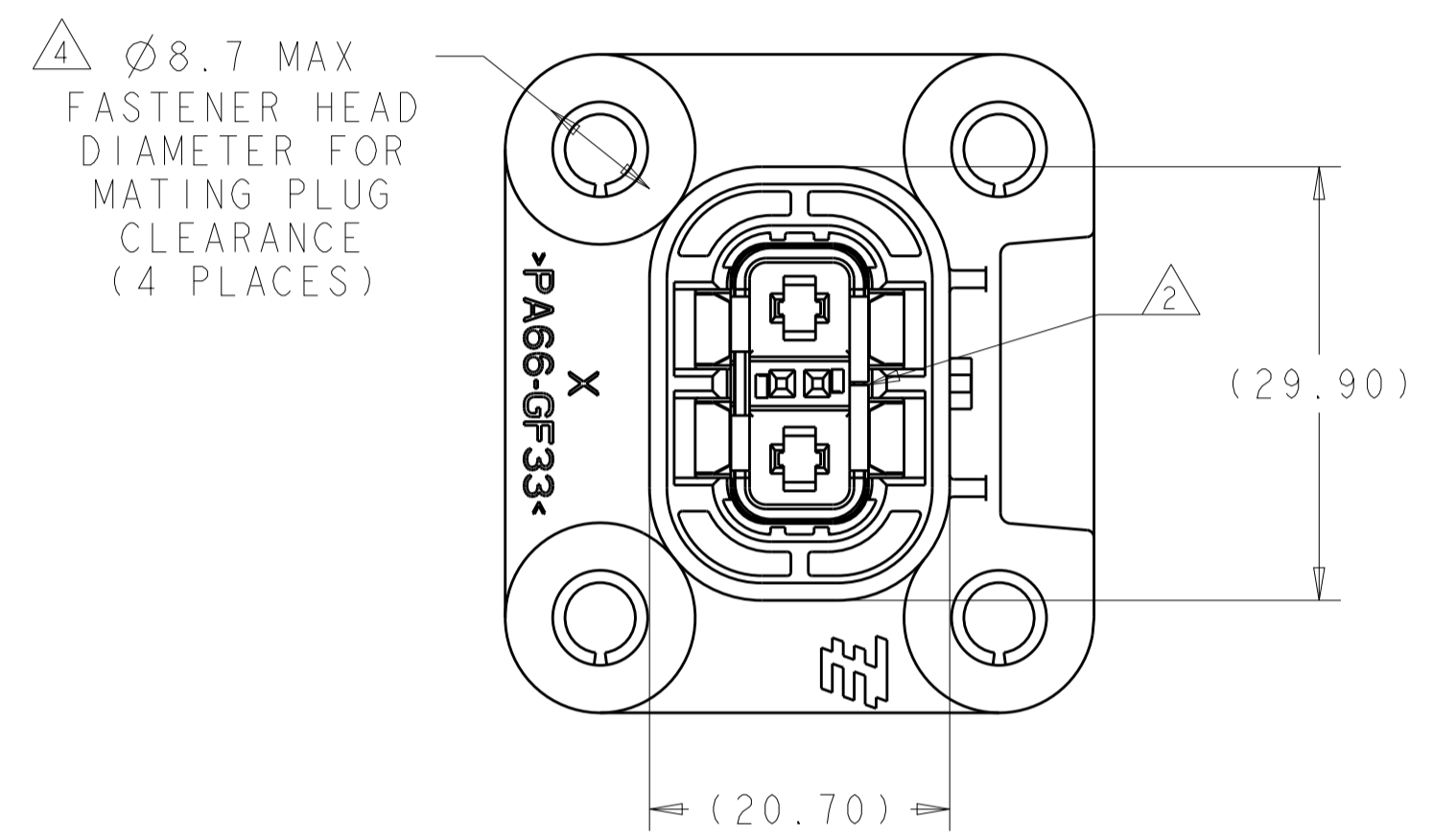
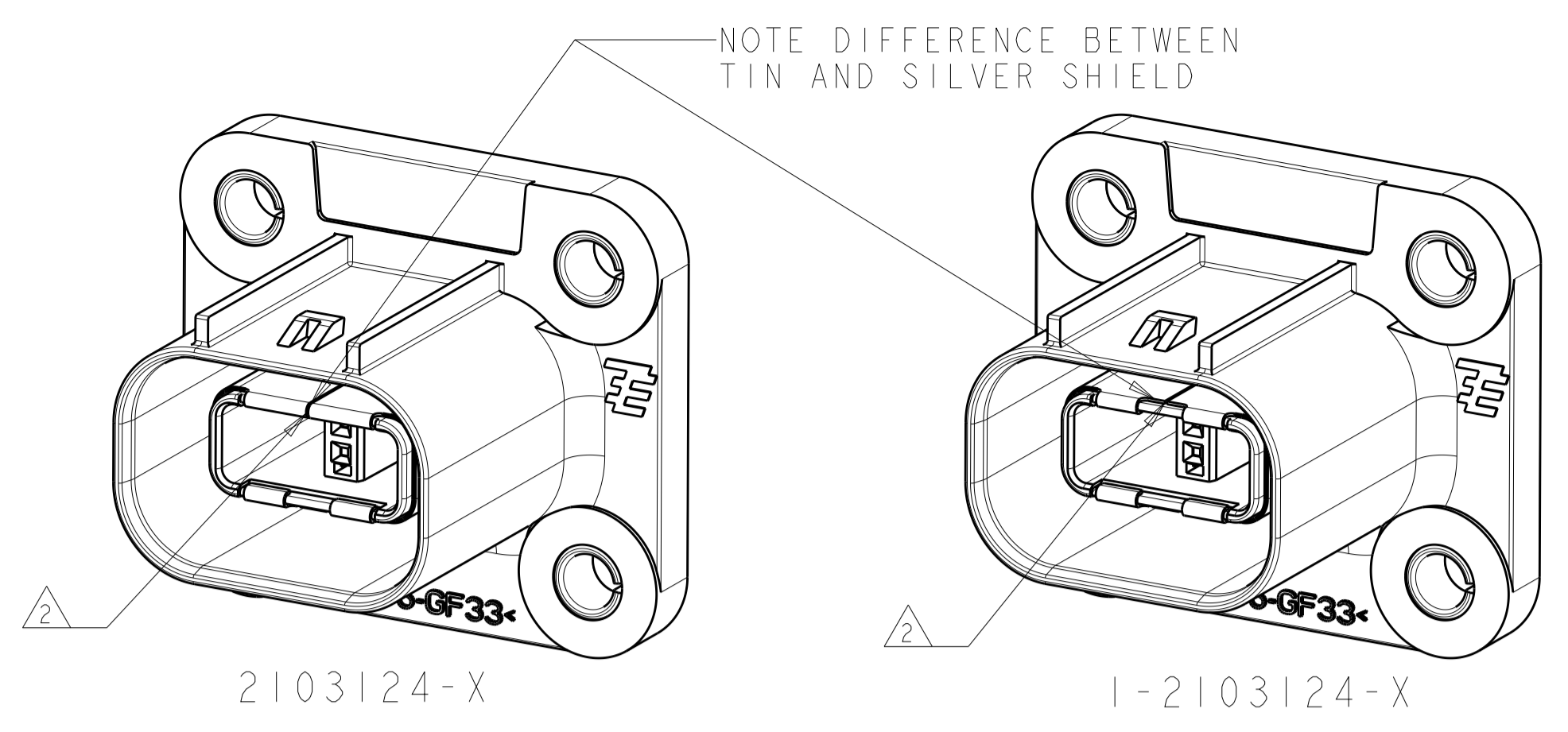
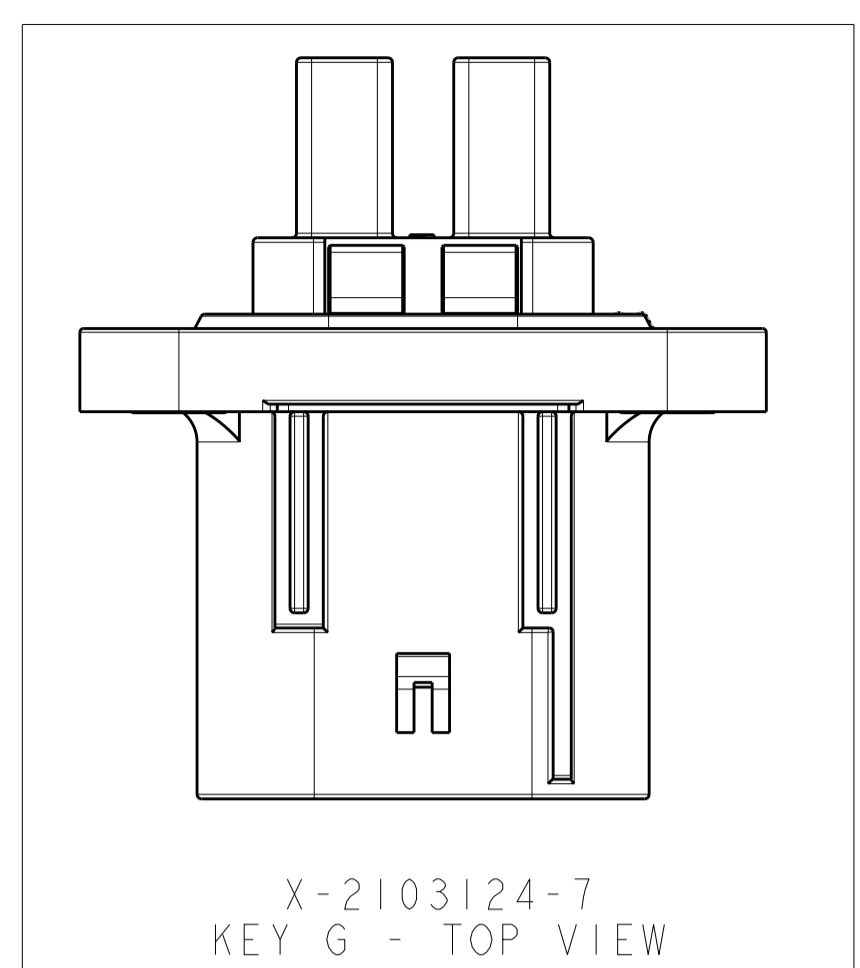


| REVISIONS | | | | |
|-----------|---------------|-------------|-----------|----------|
| P. | LTN | DESCRIPTION | DATE | OWN APVD |
| B2 | ECO-14-008515 | | 06JUN2014 | YS TD |



- IDENTIFICATION MARKING ON THIS SURFACE CONTAINS ASSEMBLY P/N AND DATE CODE (YYDD). TEXT ORIENTATION, SIZE, AND LOCATION CAN VARY AS LONG AS TEXT IS ON SURFACE SHOWN AND READABLE.
- SHIELD SEAM CAN BE POSITIONED AS SHOWN OR ROTATED 180° FROM POSITION SHOWN.
- DELETED
- THESE DIMENSIONS DEFINE FASTENER SIZE LIMITS FOR PROPER COMPONENT FUNCTIONALITY. END USER MUST ENSURE FASTENER AND/OR WASHER DIAMETER IS 8.6 MM MIN FOR PROPER RETENTION. THESE ARE NOT PRODUCT FEATURES - NO INSPECTION REQUIRED FOR THESE ITEMS.
- SURFACE FINISH APPLIES TO AREAS SHOWN IN MOUNTING INTERFACE SPECIFICATION
- 6. USE WITH 2.8MM BLADE TERMINAL P/N:
 2-2141598-2 FOR 1.0 - 2.5MM² WIRE
 2-2141600-2 FOR >2.5 - 4.0MM² WIRE
- 7. USE WITH MOS RECEPTACLE P/N:
 963715-6, 963715-5, 928999-6 OR 928999-5,
 DEPENDING ON WIRE SIZE AND MATING PLUG USED
- 8. NOTE DELETED
- NOTE DELETED

2103124-1 SHOWN IN ALL VIEWS UNLESS NOTED
 REFER TO SHEET 2 FOR ADDITIONAL PART NUMBER VIEWS

| SHIELD FINISH | INDEX | PART NO |
|---------------|-------|-------------|
| SILVER | G | 1-2103124-7 |
| SILVER | F | 1-2103124-6 |
| SILVER | E | 1-2103124-5 |
| SILVER | D | 1-2103124-4 |
| SILVER | B | 1-2103124-2 |
| SILVER | A | 1-2103124-1 |
| TIN | G | 2103124-7 |
| TIN | F | 2103124-6 |
| TIN | E | 2103124-5 |
| TIN | D | 2103124-4 |
| TIN | B | 2103124-2 |
| TIN | A | 2103124-1 |

THIS DRAWING IS A CONTROLLED DOCUMENT.

OWN: T. DEWILTE 30SEP2010
 CHK: T. DEWILTE 30SEP2010
 APVD: T. DEWILTE 15APR2011

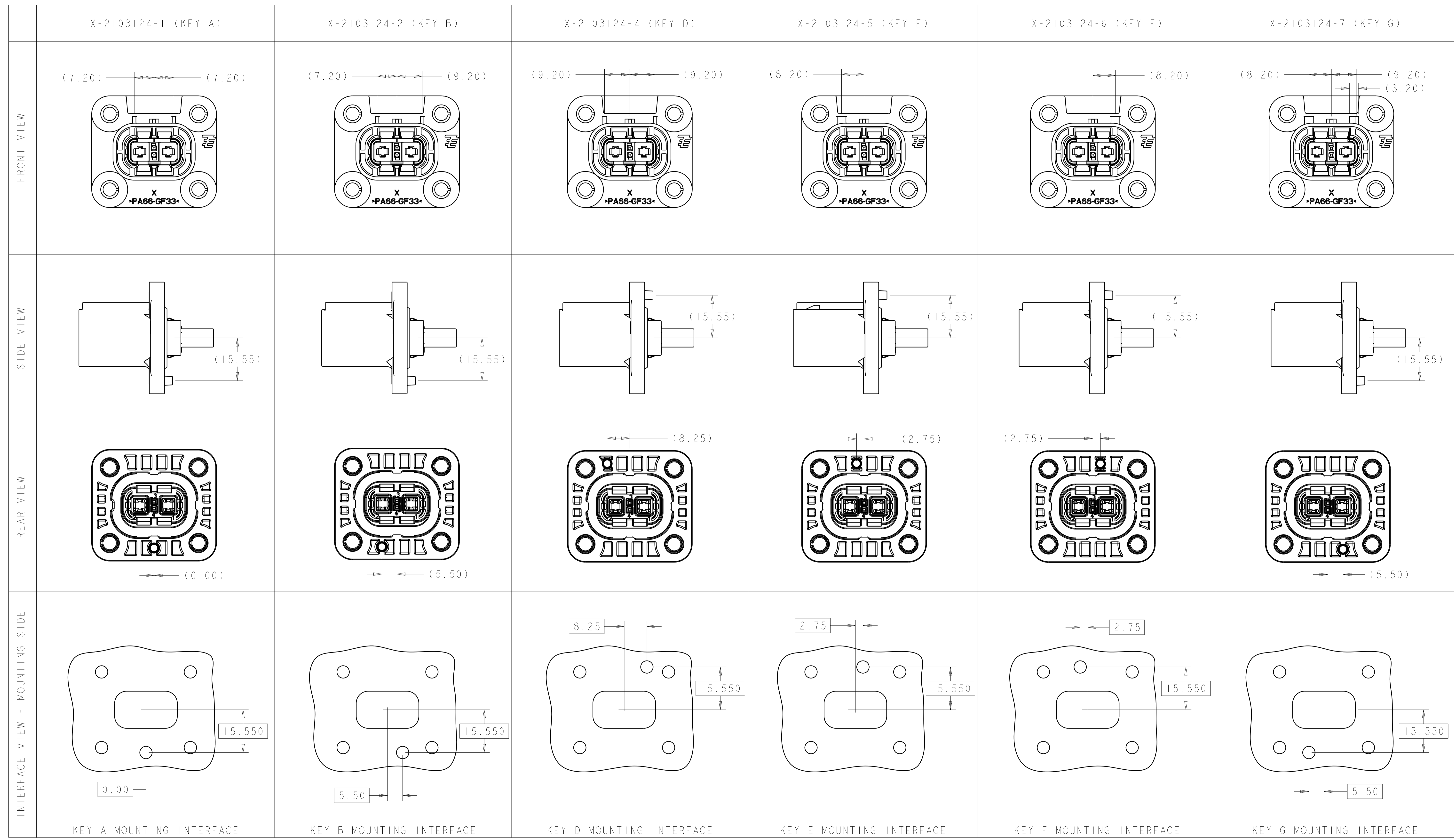
TE Connectivity

HVA280 2P HEADER ASSY
 W/HVIL - PLASTIC 1 PIECE
 CHART DRAWING

SIZE: 408-10441
 WEIGHT: 22.7 g
 CUSTOMER DRAWING

SCALE: 2:1 SHEET 1 OF 2 REV: B2

| REVISIONS | | | | |
|-----------|-----|-------------|------|------|
| P. | LTN | DESCRIPTION | DATE | APVD |
| - | - | SEE SHEET 1 | - | - |
| | | | | |
| | | | | |



| | | | |
|--------------------------------------------------------------------------------------|--|----------------------------|---------------------------------------------------------------------------------------------------------------------------------------------------------------------------|
| THIS DRAWING IS A CONTROLLED DOCUMENT. | | OWN: T. DEWILTE 30SEP2010 | STE TE Connectivity |
| DIMENSIONS: mm | | CHK: T. DEWILTE 30SEP2010 | |
| TOLERANCES UNLESS OTHERWISE SPECIFIED: | | APVD: T. DEWILTE 15APR2011 | NAME: HVA280 2P HEADER ASSY W/HVIL - PLASTIC 1 PIECE CHART DRAWING SIZE: A1 CAGE CODE: 408-10441 DRAWING NO: 2103124 WEIGHT: 22.7 g CUSTOMER DRAWING |
| 0 PLC ±0.50 1 PLC ±0.50 2 PLC ±0.15 3 PLC ±0.05 4 PLC ±0.05 ANGLES ±° | | PRODUCT SPEC: - | |
| MATERIAL: - | | APPLICATION SPEC: - | |
| FINISH: - | | SCALE: 2:1 | |
| SHEET 2 OF 2 | | | REV: B2 |

X-ON Electronics

Largest Supplier of Electrical and Electronic Components

Click to view similar products for [Automotive Connectors](#) category:

Click to view products by [TE Connectivity](#) manufacturer:

Other Similar products are found below :

[003-018-000](#) [60403001](#) [60993906-B](#) [M902-2131](#) [M902-2161](#) [M902-2344](#) [72.330.1035.1](#) [73.353.4028.0](#) [F119300-B](#) [F166900](#) [F258300-B](#)
[F358300-B](#) [F407400](#) [F444110](#) [F487000](#) [F509500B-B](#) [827153-1](#) [8N1515-32-24P](#) [9-1326729-8](#) [925474-1](#) [928905-1](#) [964562-4](#) [968782-1](#)
[GT17SA-8DS-HU](#) [98891-1012](#) [98947-1016](#) [12004147](#) [12004475-L](#) [12010290](#) [12015454](#) [12020219-B](#) [12041318-B](#) [12052225-L](#) [12052466](#)
[12064869](#) [12004327-B](#) [12015308](#) [12015384](#) [12015909](#) [1-21030-1](#) [12041254](#) [12041318](#) [12047946-B](#) [12047957](#) [12047957-L](#) [12059473](#)
[12066261](#) [12110546](#) [12110546-B](#) [12131792](#)