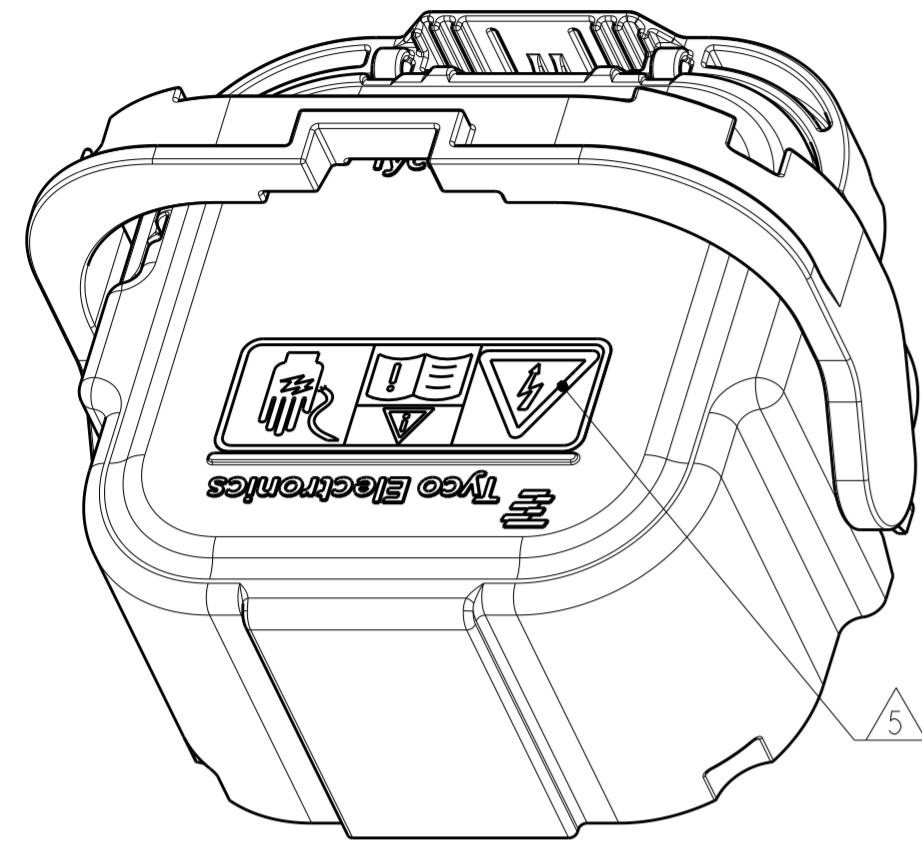
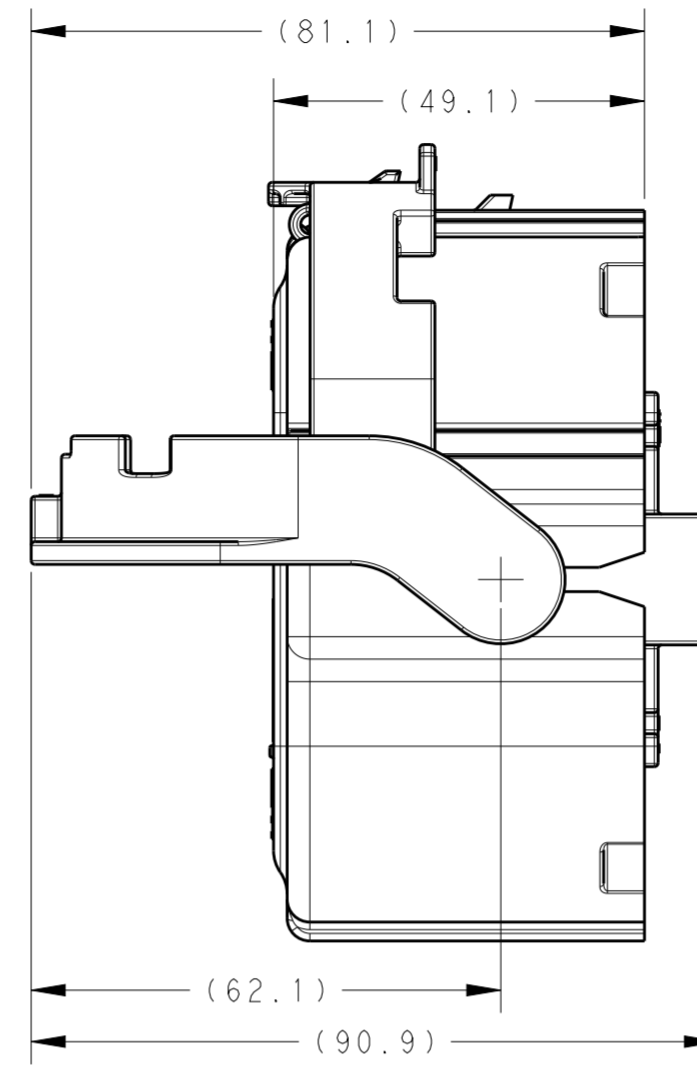
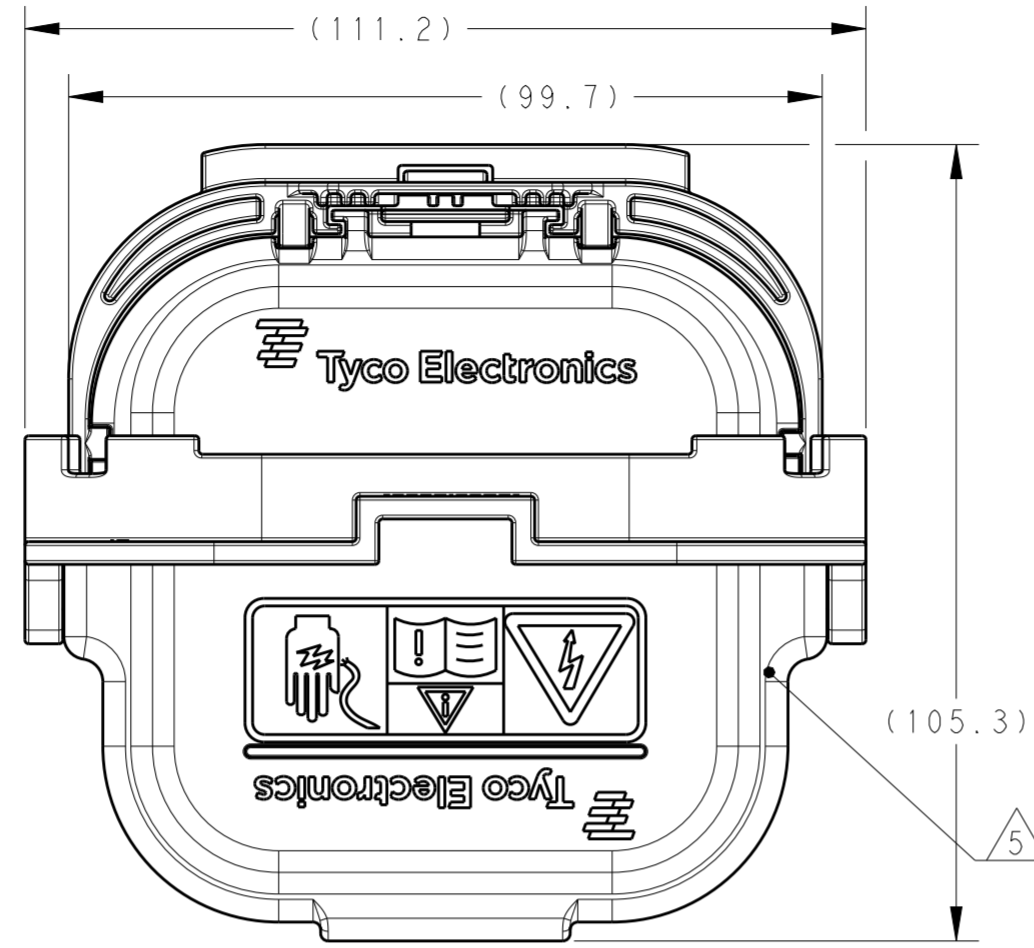


| REVISIONS | | | | |
|-----------|-----|---------------------------|-----------|-------|
| P | LTR | DESCRIPTION | DATE | APVD |
| D | | REVISED PER ECO-13-011781 | 22JUL2013 | DD JS |
| E | | REVISED PER ECO-13-017499 | 21FEB2014 | DD JS |

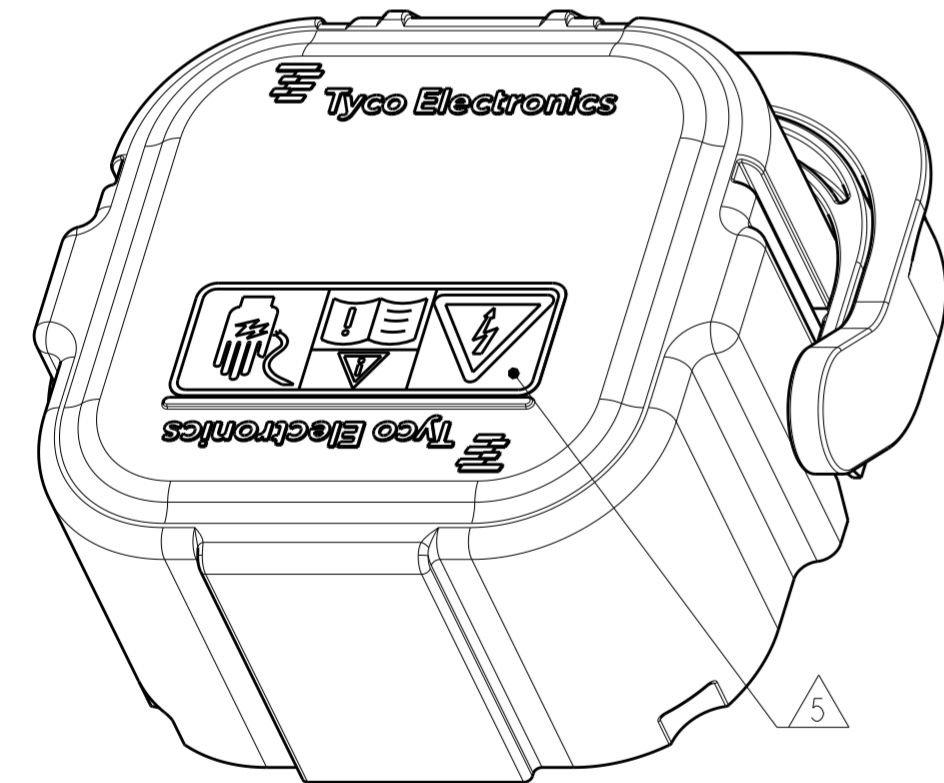
LEVER IN PRE-STAGE POSITION



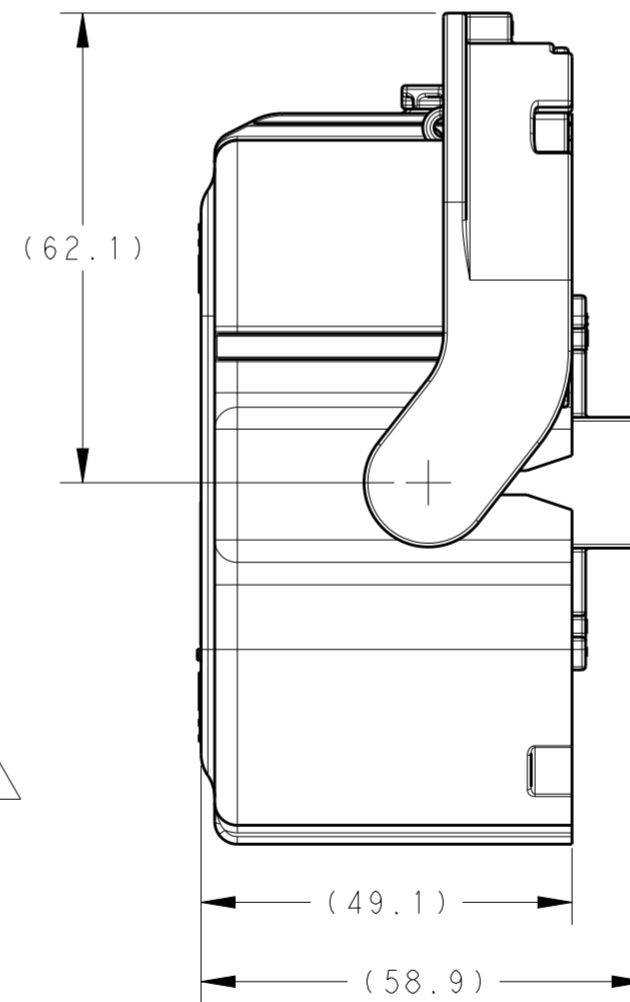
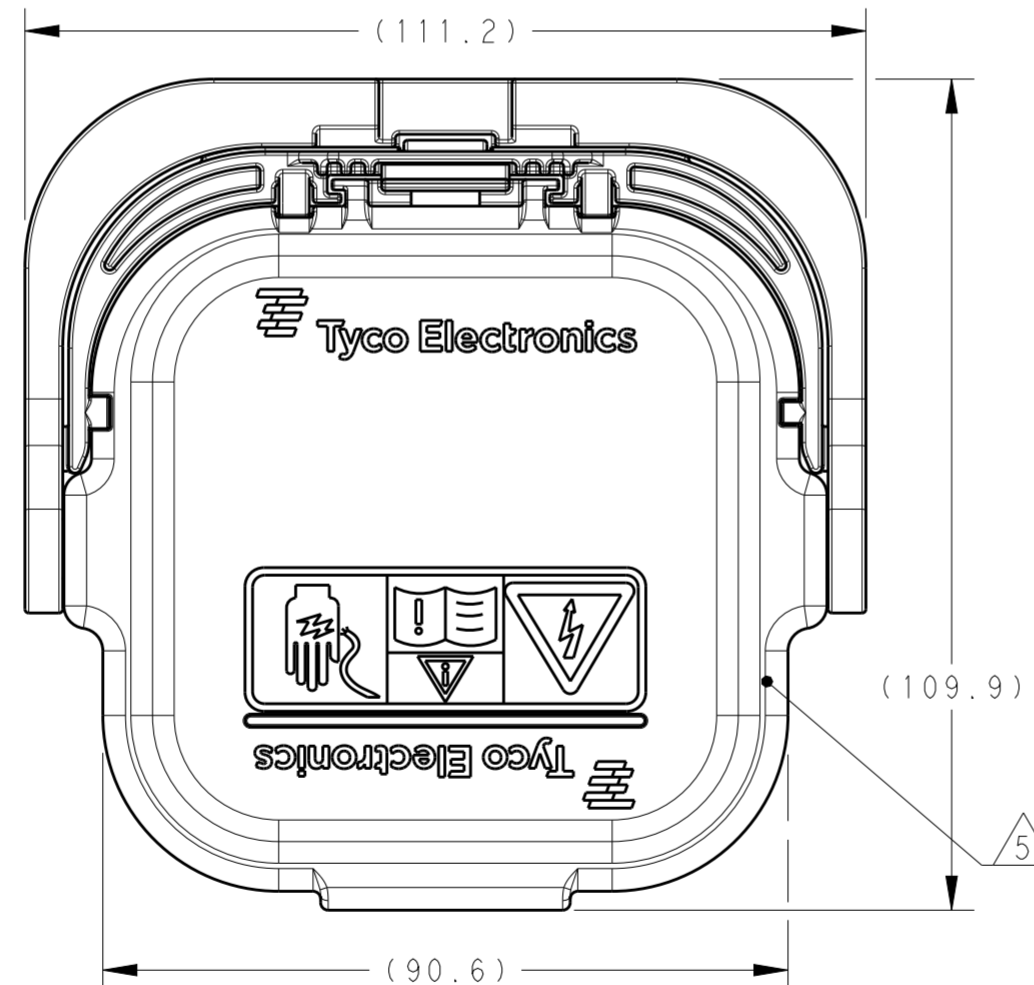
ISOMETRIC VIEW
SCALE 1:1



LEVER IN LOCKED POSITION



ISOMETRIC VIEW
SCALE 1:1

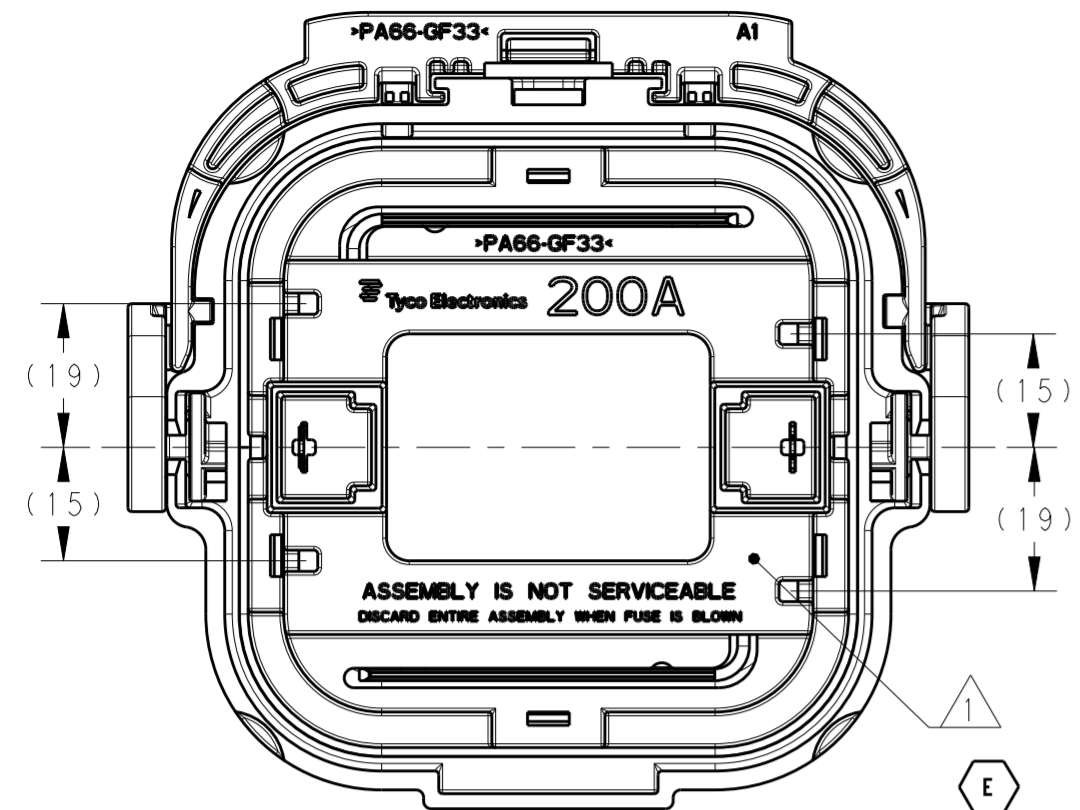


| | | | | |
|-------------------|-------------------|----------------|-------------|-------------|
| E | NATURAL/OFF-WHITE | 525.60 | 250A (EV) | 2-2103172-9 |
| E | NATURAL/OFF-WHITE | 525.60 | 200A (EV) | 2-2103172-8 |
| | NATURAL/OFF-WHITE | 261.25 | SHUNT | 2-2103172-7 |
| E | NATURAL/OFF-WHITE | 525.60 | 350A (EV) | 2-2103172-2 |
| | NATURAL/OFF-WHITE | 525.60 | 250A | 1-2103172-9 |
| | NATURAL/OFF-WHITE | 525.60 | 200A | 1-2103172-8 |
| | BLACK | 261.25 | SHUNT | 1-2103172-7 |
| | NATURAL/OFF-WHITE | 525.60 | 350A | 1-2103172-2 |
| | BLACK | 525.60 | 350A | 1-2103172-1 |
| | BLACK | 525.60 | 250A | 2103172-9 |
| | BLACK | 525.60 | 200A | 2103172-8 |
| INNER LEVER COLOR | | PART WEIGHT(g) | FUSE RATING | PART NUMBER |

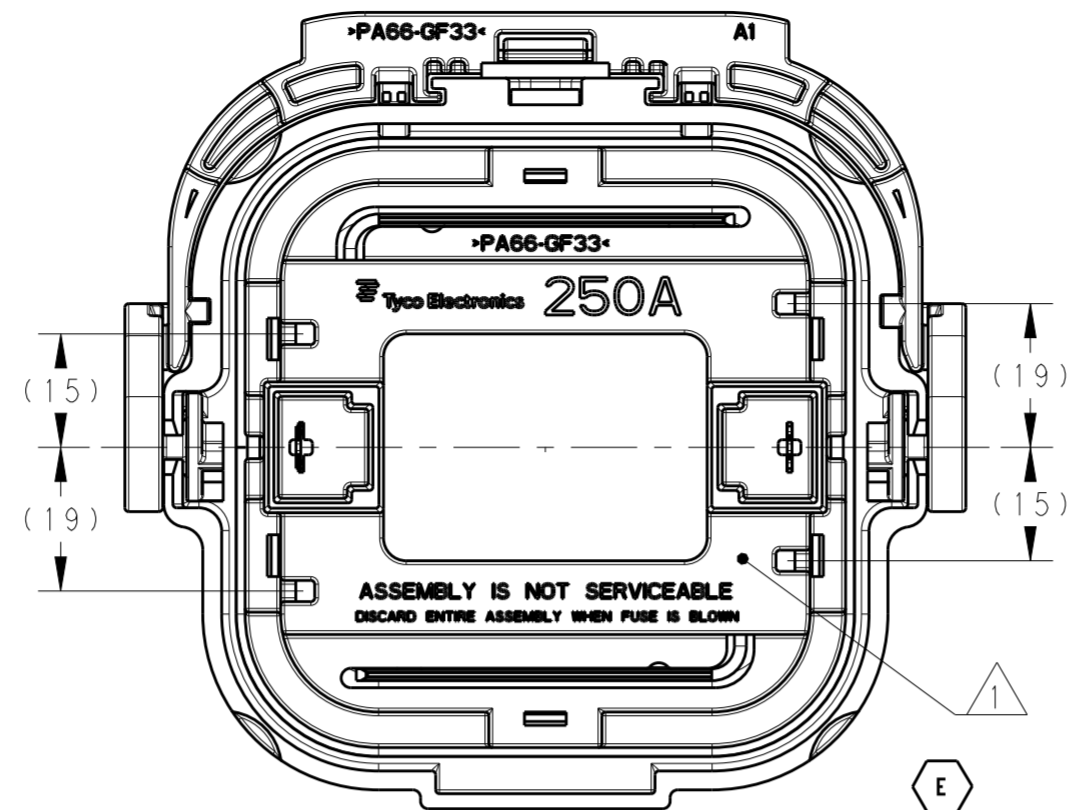
- 1 INNER HOUSING MAY BE ASSEMBLED ROTATED 180° FROM AS SHOWN
- 2 ASSEMBLY / WORK INSTRUCTIONS: 408-10432
- 3 NOTE DELETED
- 4 SEE SHEET 2 FOR FUSE RATING MARKINGS AND KEYING CONFIGURATIONS
- 5 IMAGE FOR REFERENCE ONLY, SHOWS ORIENTATION

| | | | | |
|--|--|------------------------------|--|--|
| THIS DRAWING IS A CONTROLLED DOCUMENT. DIMENSIONING AND TOLERANCING PER ASME Y14.5M-2009 | | DWN A BOYER 04JAN2011 | TE Connectivity | |
| DIMENSIONS: mm | | CHK A BOYER 04JAN2011 | | |
| TOLERANCES UNLESS OTHERWISE SPECIFIED: | | APVD J BOLEWITZ 04JAN2011 | NAME PLUG ASSEMBLY MANUAL SERVICE DISCONNECT | |
| 0 PLC ± | | PRODUCT SPEC 108-127000 | SIZE CAGE CODE DRAWING NO RESTRICTED TO | |
| 1 PLC ± | | APPLICATION SPEC | A200779 C-2103172 | |
| 2 PLC ± | | WEIGHT SEE TABLE | SCALE 1:1 SHEET 1 OF 2 REV E | |
| 3 PLC ± | | Customer Drawing | | |
| 4 PLC ± | | | | |
| ANGLES ± | | | | |
| FINISH | | | | |

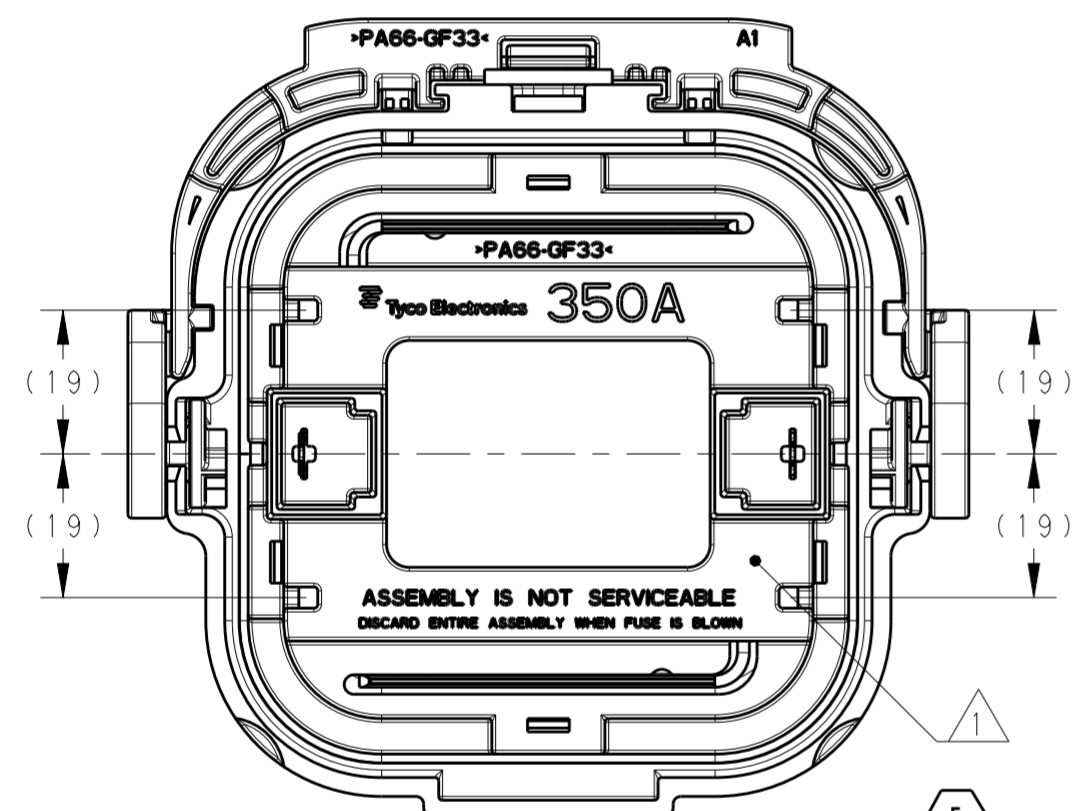
| REVISIONS | | | | |
|-----------|-----|-------------|------|------|
| P | LTR | DESCRIPTION | DATE | APVD |
| - | - | SEE SHEET 1 | - | - |



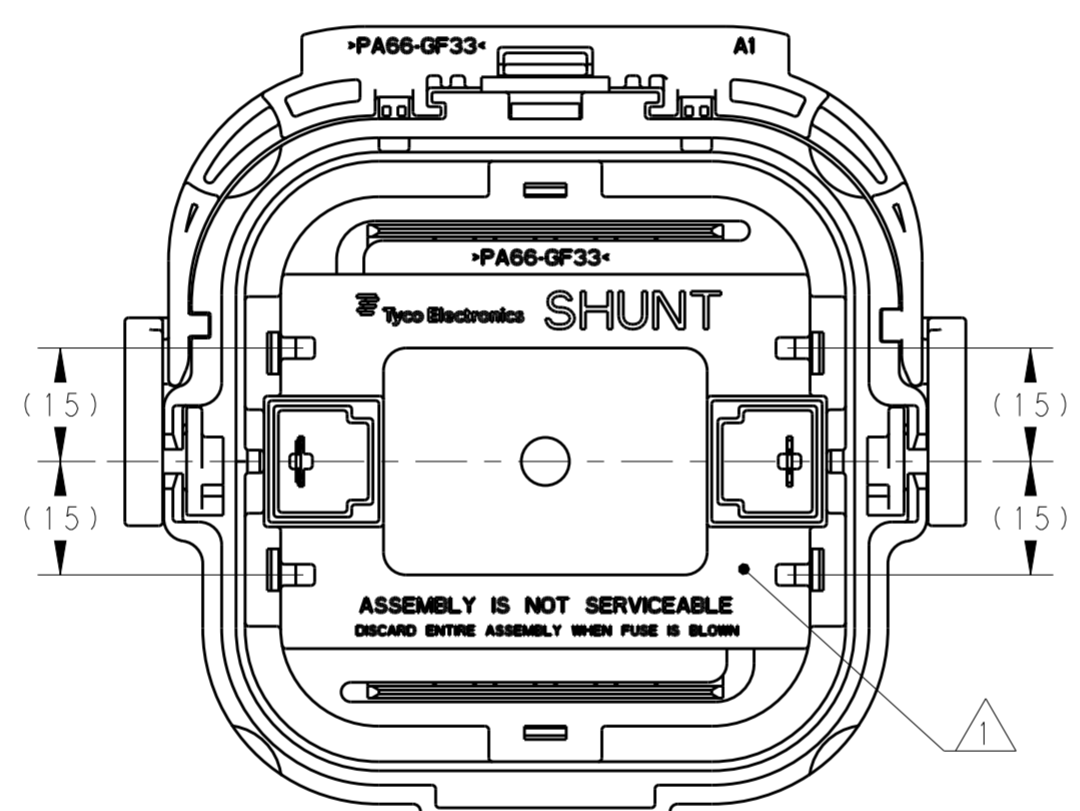
2103172-8, 1-2103172-8 & 2-2103172-8
 FUSE RATING: 200A




2103172-9, 1-2103172-9 & 2-2103172-9
 FUSE RATING: 250A



1-2103172-1, 1-2103172-2 & 2-2103172-2
 FUSE RATING: 350A



1-2103172-7 & 2-2103172-7
 SHUNT

| | | | | |
|--|--|------------------------------|---|-------------------------|
| THIS DRAWING IS A CONTROLLED DOCUMENT. DIMENSIONING AND TOLERANCING PER ASME Y14.5M-2009 | | DWN A BOYER 04JAN2011 |  TE Connectivity | |
| DIMENSIONS: mm | | CHK A BOYER 04JAN2011 | | |
| TOLERANCES UNLESS OTHERWISE SPECIFIED: | | APVD J BOLEWITZ 04JAN2011 | NAME PLUG ASSEMBLY MANUAL SERVICE DISCONNECT | |
| 0 PLC ± 1 PLC ± 2 PLC ± 3 PLC ± 4 PLC ± ANGLES ± FINISH - | | PRODUCT SPEC 108-127000 | RESTRICTED TO | |
| MATERIAL | | APPLICATION SPEC 2 | SIZE A200779 | DRAWING NO C-2103172 |
| - | | WEIGHT SEE TABLE | SCALE 1:1 | SHEET 2 OF 2 |
| - | | Customer Drawing | REV E | |

X-ON Electronics

Largest Supplier of Electrical and Electronic Components

Click to view similar products for [Heavy Duty Power Connectors](#) category:

Click to view products by [TE Connectivity](#) manufacturer:

Other Similar products are found below :

[647757-1](#) [6643411-1](#) [6646058-2](#) [6646137-1](#) [6646138-1](#) [6646479-1](#) [6646608-1](#) [6646786-1](#) [6646940-1](#) [6651091-1](#) [6651525-1](#) [6651529-1](#)
[6651788-1](#) [696475-1](#) [702-32-01109](#) [703-25-02205](#) [73000005059](#) [73000005642](#) [73080255059](#) [73080965046](#) [765-15-0080A](#) [765-16-0080B](#)
[765-18-0080D](#) [829992-1](#) [902-77-02113](#) [PS00/A0620/6300](#) [PS25/A0420/63](#) [129-1J](#) [1409400](#) [AN0024023](#) [E6374G1](#) [e6389g2](#) [157-43GW8](#)
[MS3117-14AC](#) [1643543-1](#) [1650540-1](#) [1651811-2](#) [1766260-1](#) [1766282-1](#) [1766966-1](#) [1791340000](#) [NLDFT-3-BL-L-S120-M40A](#) [NLDFT-N-](#)
[W-L-C240-M40B](#) [NLS-2-R-C240-M40B](#) [NLS-N-W-C240-M40B](#) [NPS-3-BL-T6](#) [1986615-1](#) [2-1589900-8](#) [2199314-1](#) [KA8102](#)