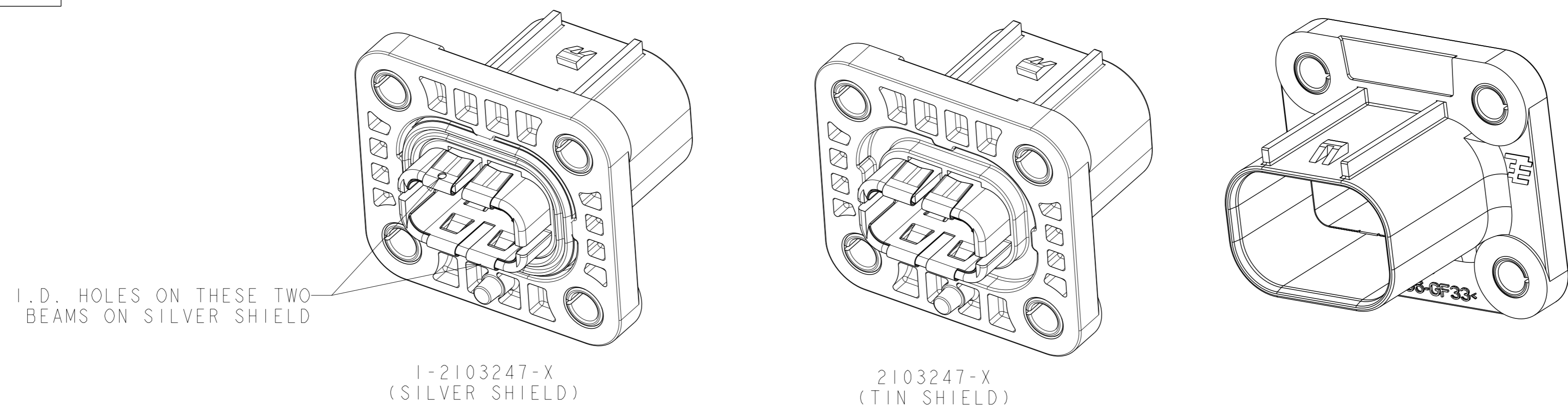


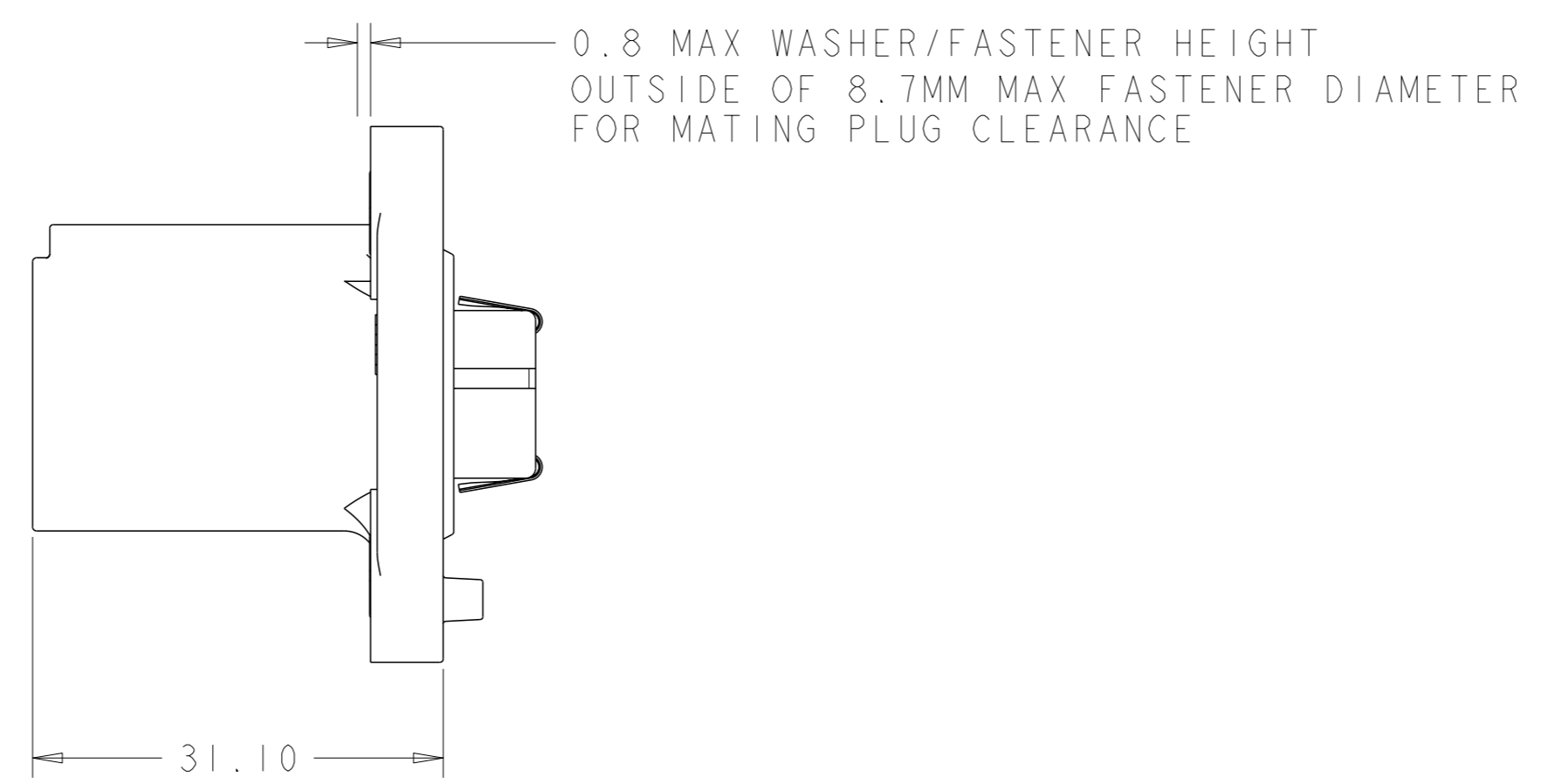
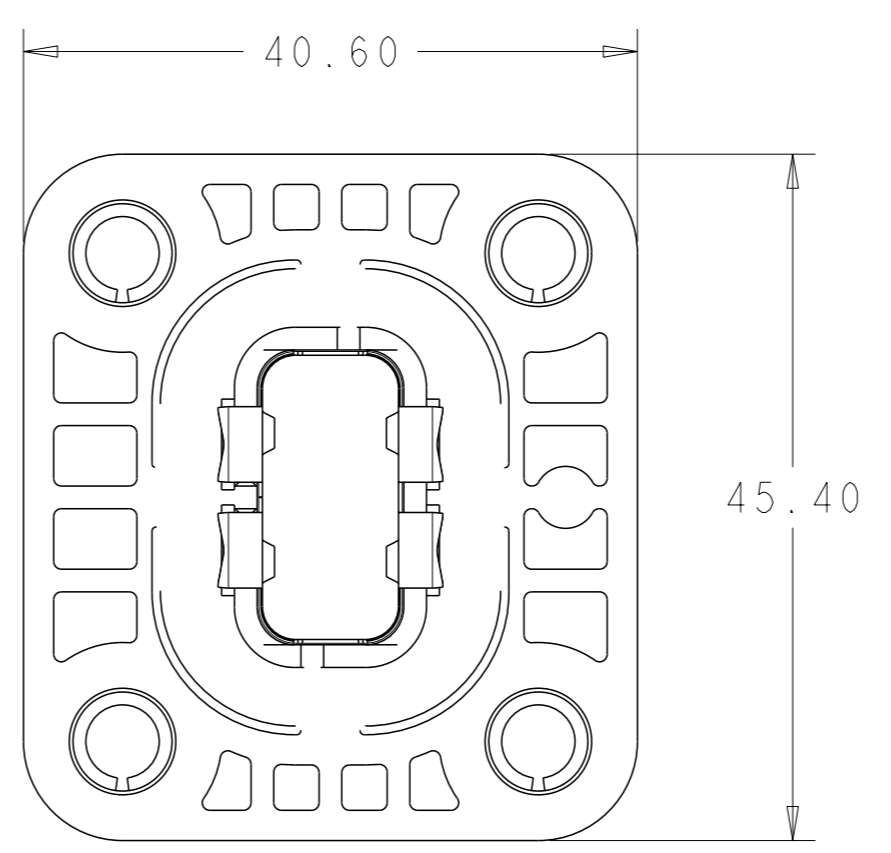
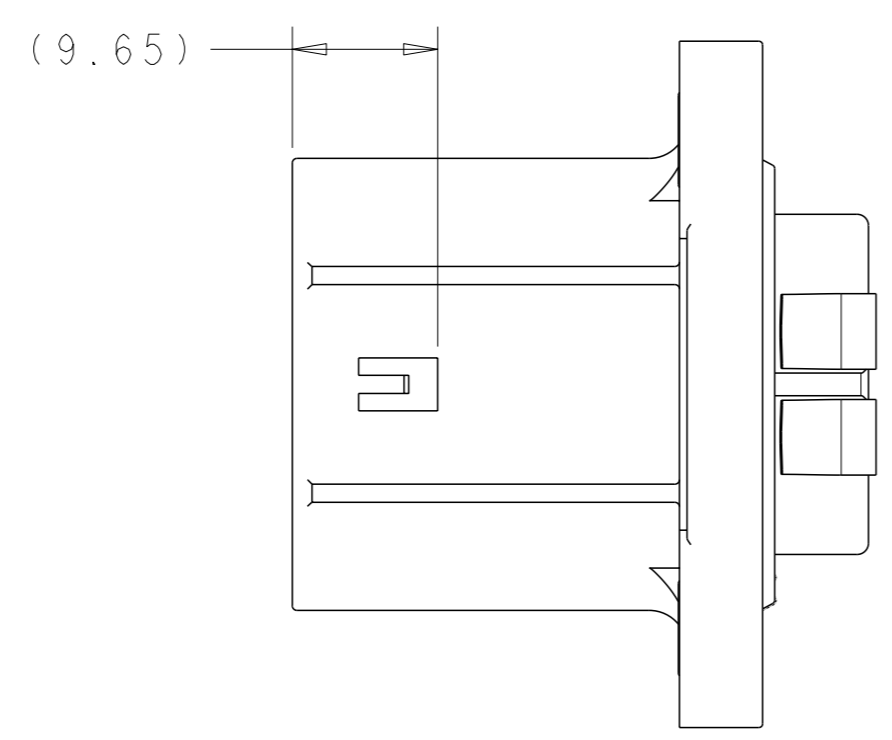
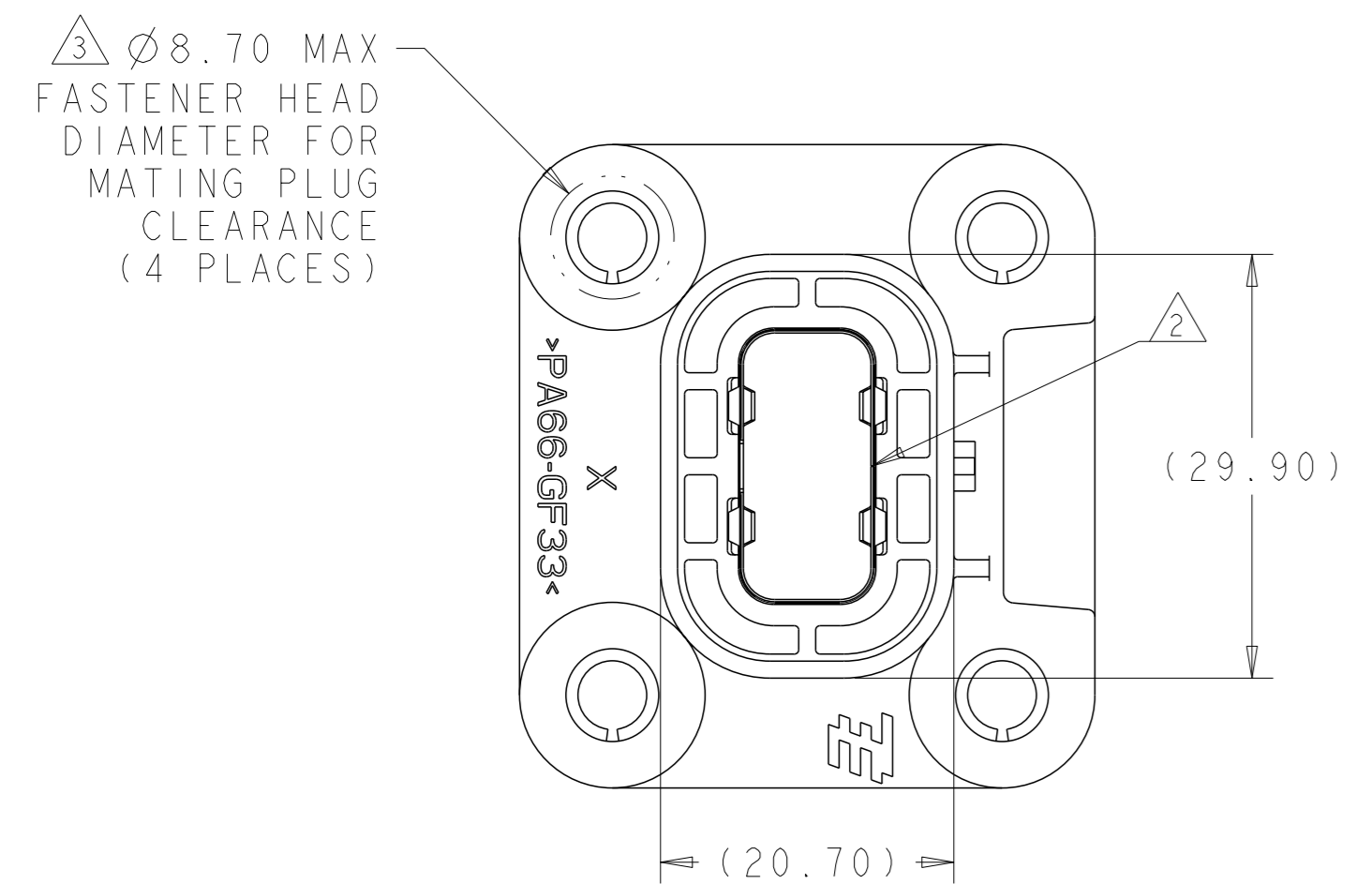
REVISIONS				
P	LYR	DESCRIPTION	DATE	OWN APVD
A1		ECR-13-012661	08AUG2013	TD TD
A2		ECO-15-016378	12NOV2015	DS YS



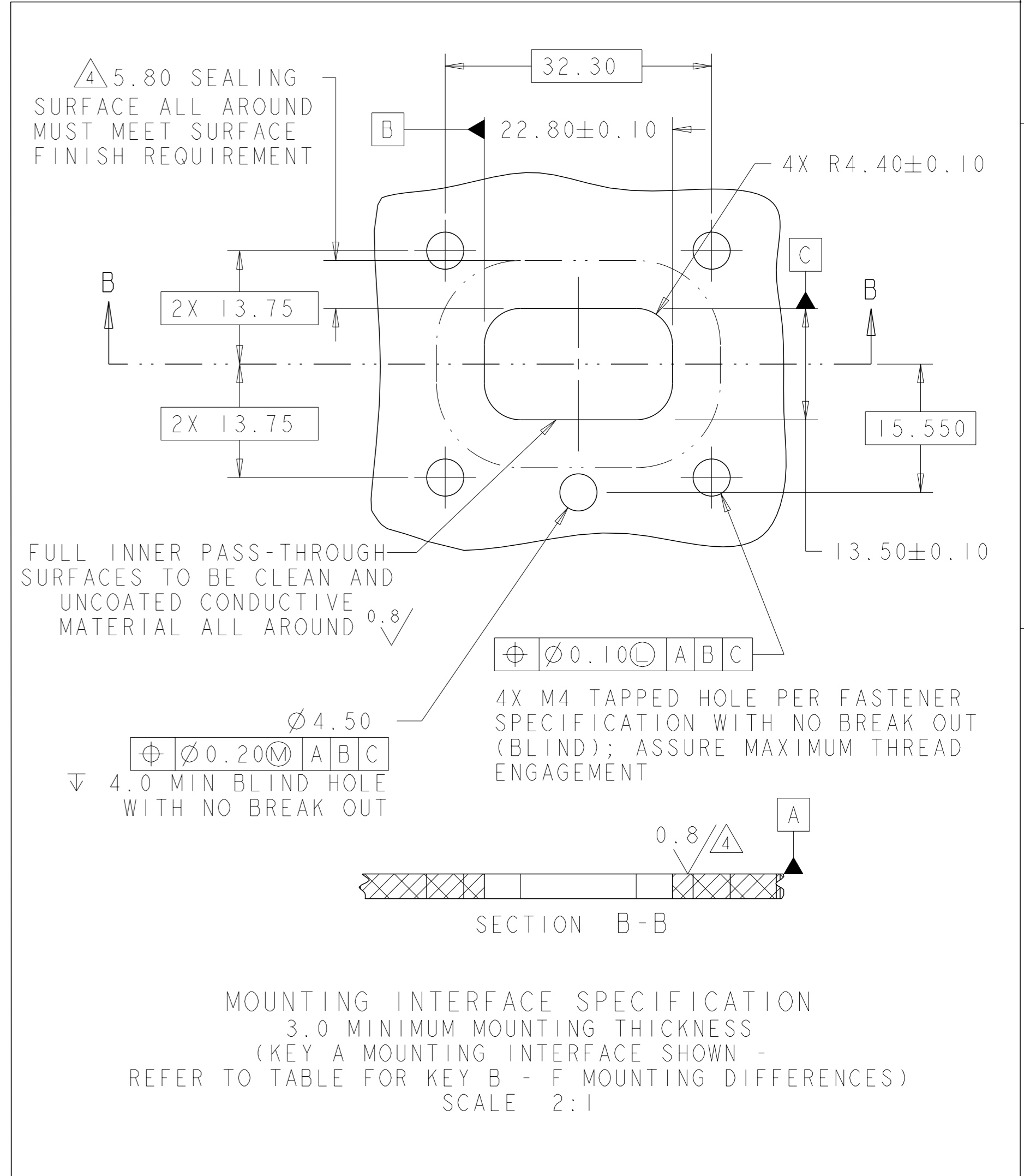
I.D. HOLES ON THESE TWO BEAMS ON SILVER SHIELD

1-2103247-X (SILVER SHIELD)

2103247-X (TIN SHIELD)



- 1 IDENTIFICATION MARKING ON THIS SURFACE CONTAINS ASSEMBLY P/N AND DATE CODE (YYDD). TEXT ORIENTATION, SIZE, AND LOCATION CAN VARY AS LONG AS TEXT IS ON SURFACE SHOWN AND READABLE.
- 2 SHIELD SEAM CAN BE POSITIONED AS SHOWN OR ROTATED 180° FROM POSITION SHOWN.
- 3 THESE DIMENSIONS DEFINE FASTENER SIZE LIMITS FOR PROPER COMPONENT FUNCTIONALITY. END USER MUST ENSURE FASTENER AND/OR WASHER DIAMETER IS 8.6 MM MIN FOR PROPER RETENTION. THESE ARE NOT PRODUCT FEATURES - NO INSPECTION REQUIRED FOR THESE ITEMS.
- 4 SURFACE FINISH APPLIES IN THIS AREA
- 5 NOTE DELETED



SHIELD FINISH	INDEX	PART NO
SILVER	F	1-2103247-6
SILVER	E	1-2103247-5
SILVER	D	1-2103247-4
SILVER	B	1-2103247-2
SILVER	A	1-2103247-1
TIN	F	2103247-6
TIN	E	2103247-5
TIN	D	2103247-4
TIN	B	2103247-2
TIN	A	2103247-1

THIS DRAWING IS A CONTROLLED DOCUMENT.

OWN: A DEHAZAL ZOMAR2012
 CHK: A DEHAZAL ZOMAR2012
 APVD: A DEHAZAL ZOMAR2012

TOLERANCES UNLESS OTHERWISE SPECIFIED:
 0 PLC ±0.50
 1 PLC ±0.50
 2 PLC ±0.15
 3 PLC ±0.05
 4 PLC ±
 ANGLES FINISH ±3

MATERIAL: -
 WEIGHT: -

CUSTOMER DRAWING

NAME: SPLIT HEADER ASSY, HVA 280 2P W/HVIL - PLASTIC CHART DRAWING

SIZE: A1
 CAGE CODE: 00779
 DRAWING NO: 2103247

RESTRICTED TO: -

SCALE: 2:1 SHEET 1 OF 2 REV: A2

REVISIONS				
#	DATE	DESCRIPTION	DATE	APPV
-	-	SEE SHEET 1	-	-

	X-2103247-1 (KEY A)	X-2103247-2 (KEY B)	X-2103247-4 (KEY D)	X-2103247-5 (KEY E)	X-2103247-6 (KEY F)
FRONT VIEW					
SIDE VIEW					
REAR VIEW					
INTERFACE VIEW - MOUNTING SIDE					
	KEY A MOUNTING INTERFACE	KEY B MOUNTING INTERFACE	KEY D MOUNTING INTERFACE	KEY E MOUNTING INTERFACE	KEY F MOUNTING INTERFACE

THIS DRAWING IS A CONTROLLED DOCUMENT.

OWN: A DEHAZAL	ZOMAR2012	TE Connectivity NAME: SPLIT HEADER ASSY, HVA 280 2P W/HVIL - PLASTIC CHART DRAWING
CHK: A DEHAZAL	ZOMAR2012	
APPV: A DEHAZAL	ZOMAR2012	
PRODUCT SPEC:		
MATERIAL:		RESTRICTED TO:
APPLICATION SPEC:		SCALE: 2:1
WEIGHT:		SHEET 2 OF 2
CUSTOMER DRAWING:		REV: A2

DIMENSIONS: mm
 TOLERANCES UNLESS OTHERWISE SPECIFIED:
 0 PLC ±0.50
 1 PLC ±0.50
 2 PLC ±0.15
 3 PLC ±0.05
 4 PLC ±
 ANGLES FINISH #3

SIZE: A1
 CAGE CODE: 100779
 DRAWING NO: 2103247
 SCALE: 2:1
 SHEET 2 OF 2
 REV: A2

X-ON Electronics

Largest Supplier of Electrical and Electronic Components

Click to view similar products for [Automotive Connectors](#) category:

Click to view products by [TE Connectivity](#) manufacturer:

Other Similar products are found below :

[003-018-000](#) [60403001](#) [60993906-B](#) [M902-2131](#) [M902-2161](#) [72.330.1035.1](#) [73.353.4028.0](#) [F119300-B](#) [F166900](#) [F258300-B](#) [F358300-B](#)
[F407400](#) [F444110](#) [F487000](#) [F509500B-B](#) [827153-1](#) [8N1515-32-24P](#) [9-1326729-8](#) [925474-1](#) [928905-1](#) [964562-4](#) [968782-1](#) [GT17SA-8DS-](#)
[HU](#) [98891-1012](#) [98947-1016](#) [12004147](#) [12004475-L](#) [12010290](#) [12010309-B](#) [12015454](#) [12020219-B](#) [12020308](#) [12041318-B](#) [12052225-L](#)
[12052466](#) [12059125](#) [12064869](#) [12004327-B](#) [12010503-B](#) [12015308](#) [12015384](#) [12015909](#) [1-21030-1](#) [12041254](#) [12041318](#) [12047946-B](#)
[12047957](#) [12047957-L](#) [12059473](#) [12066261](#)