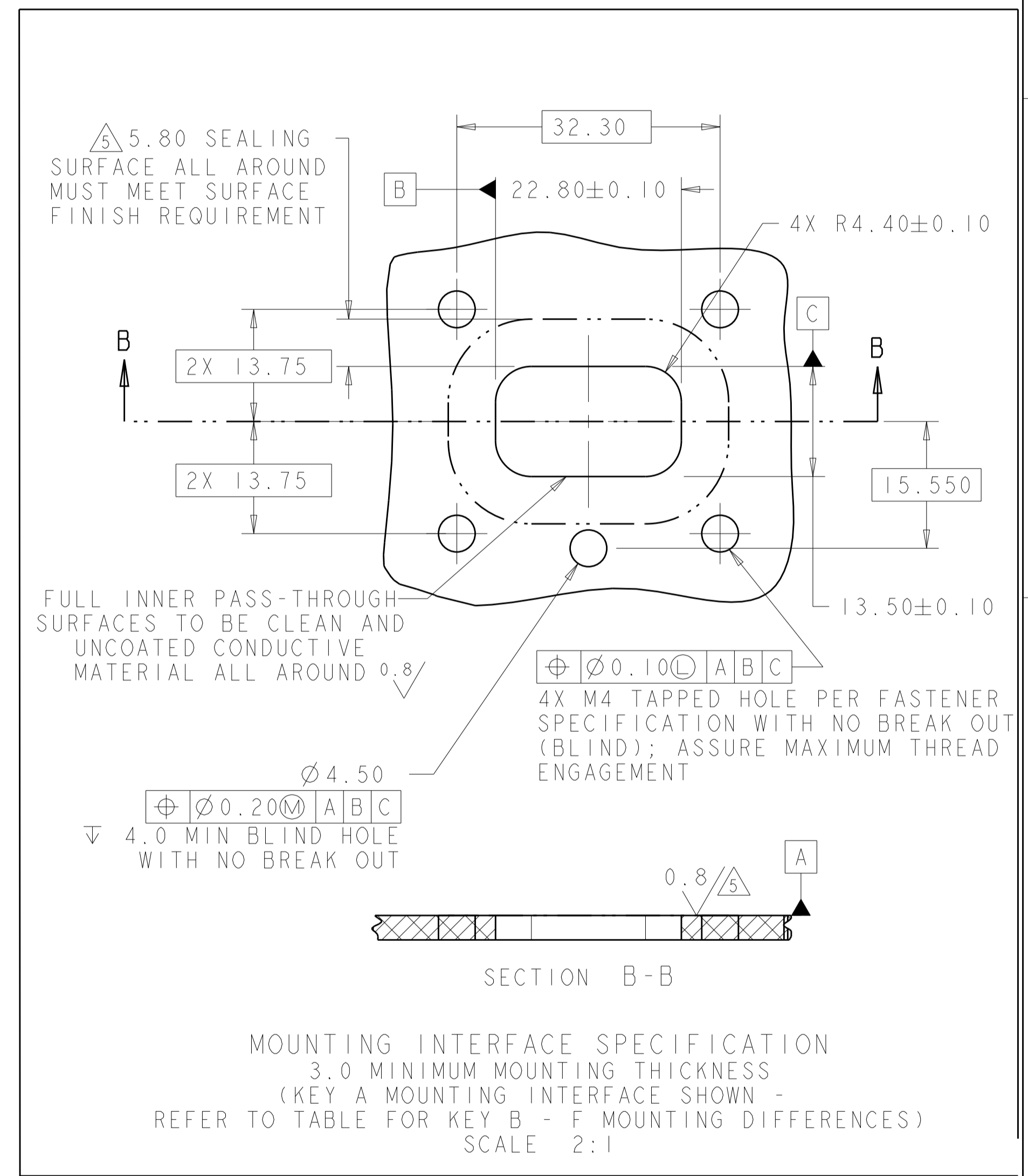
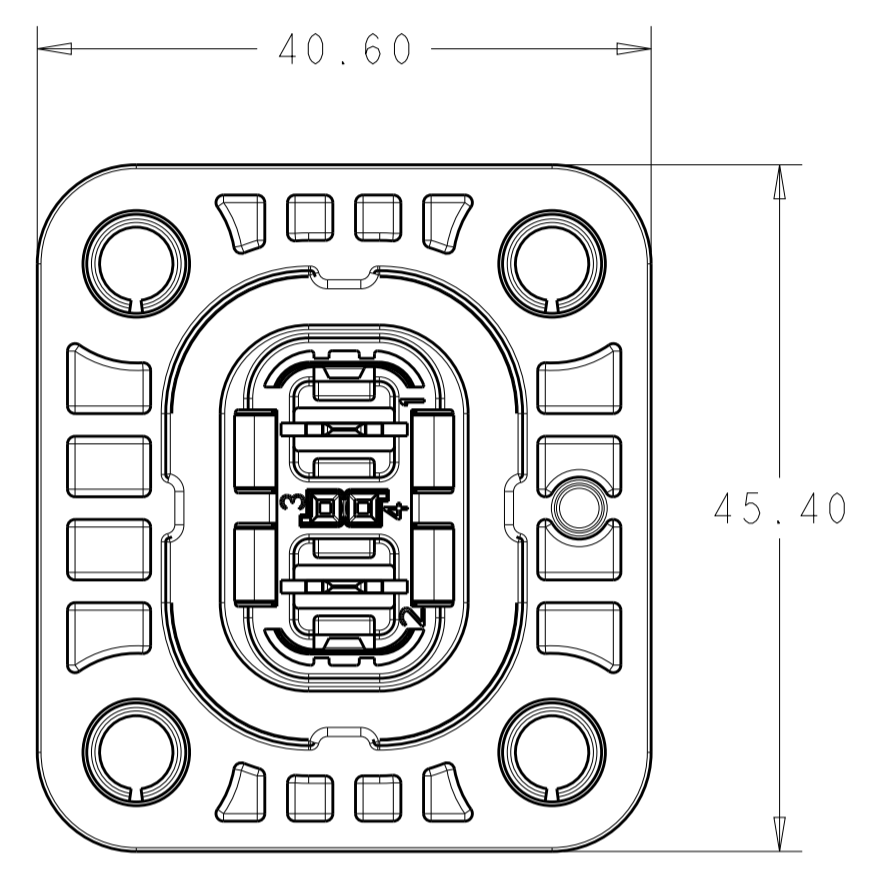
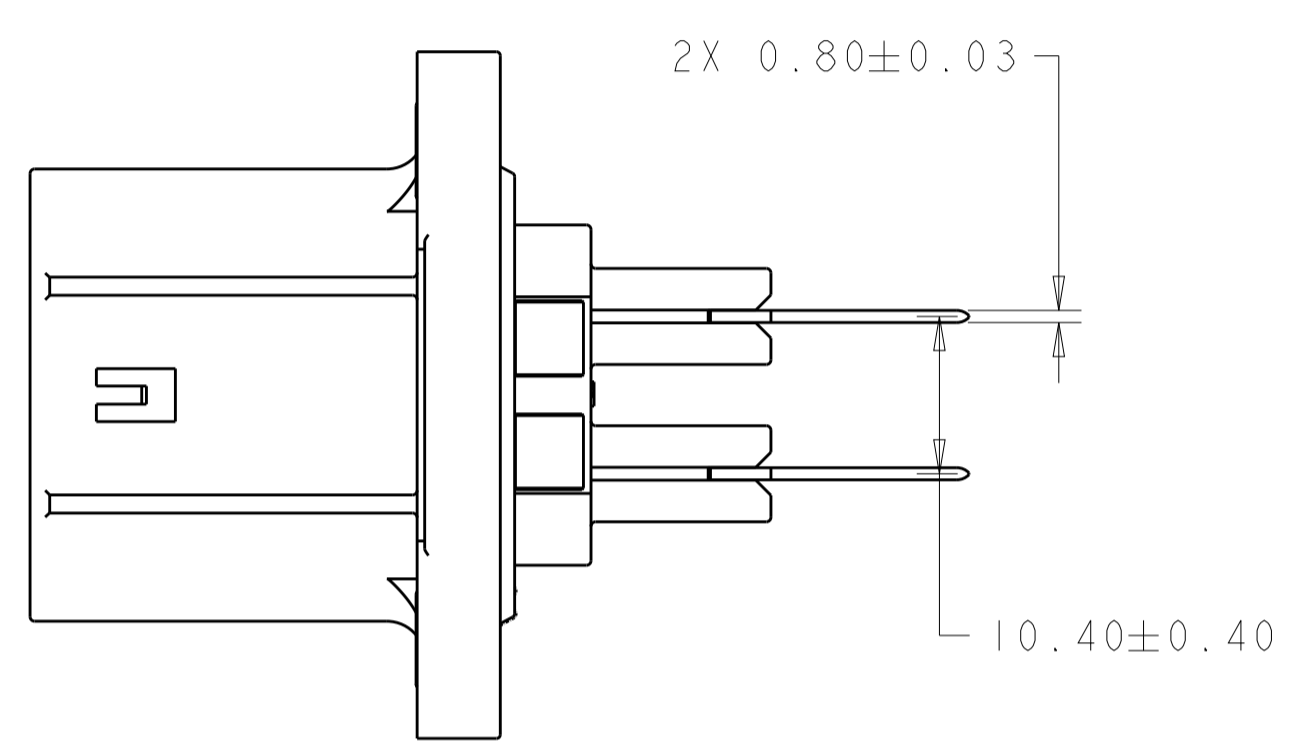
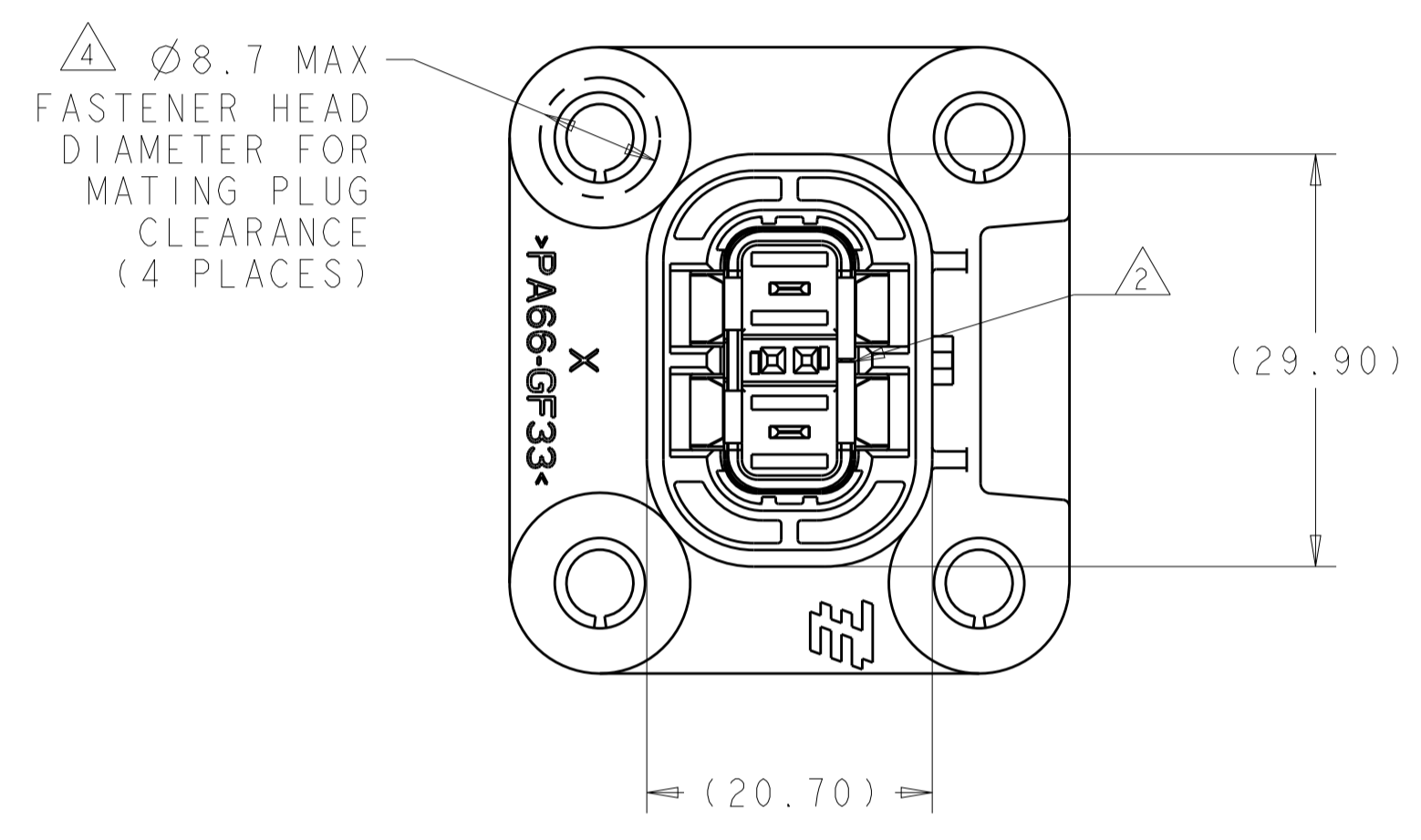
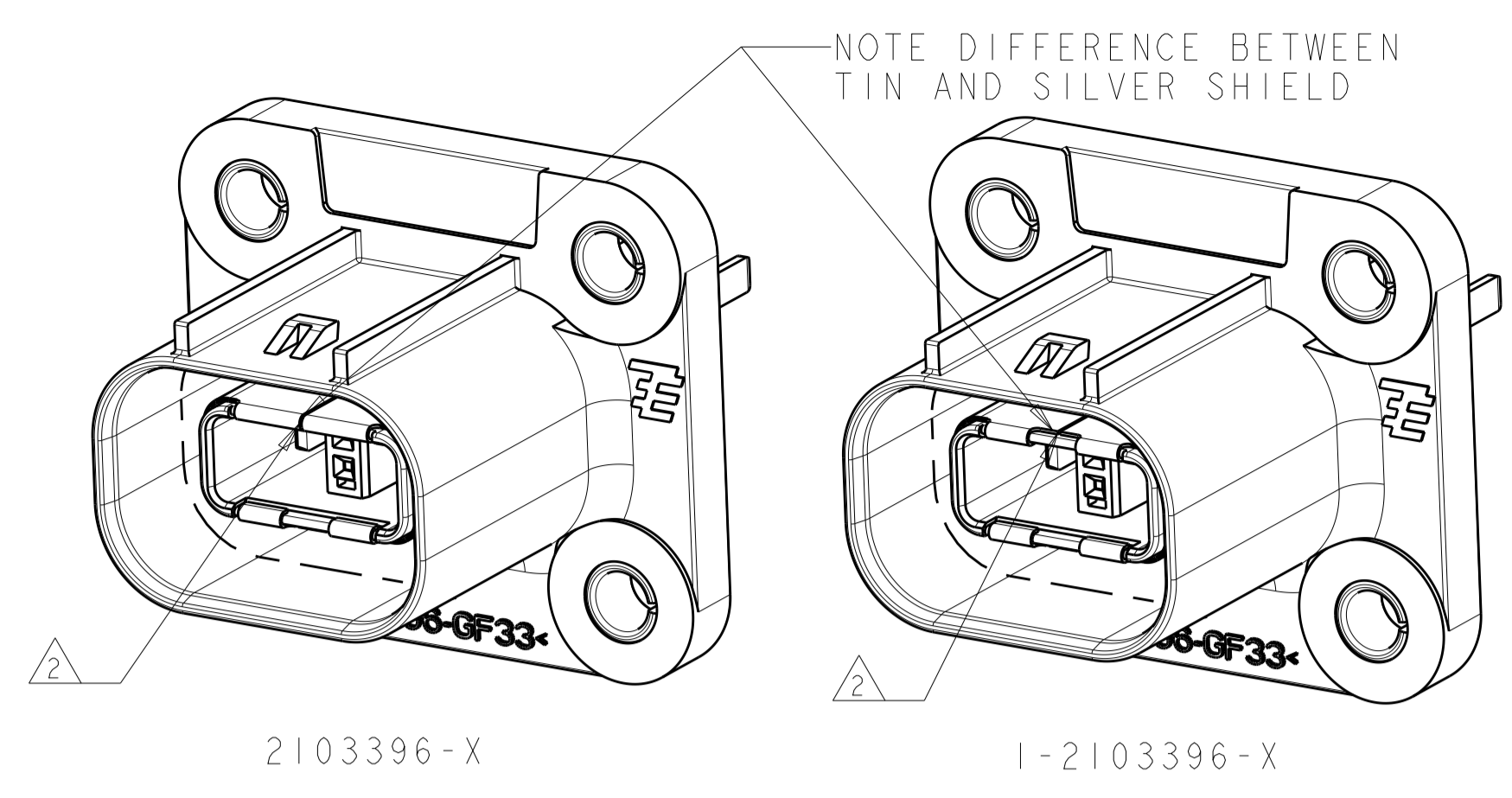
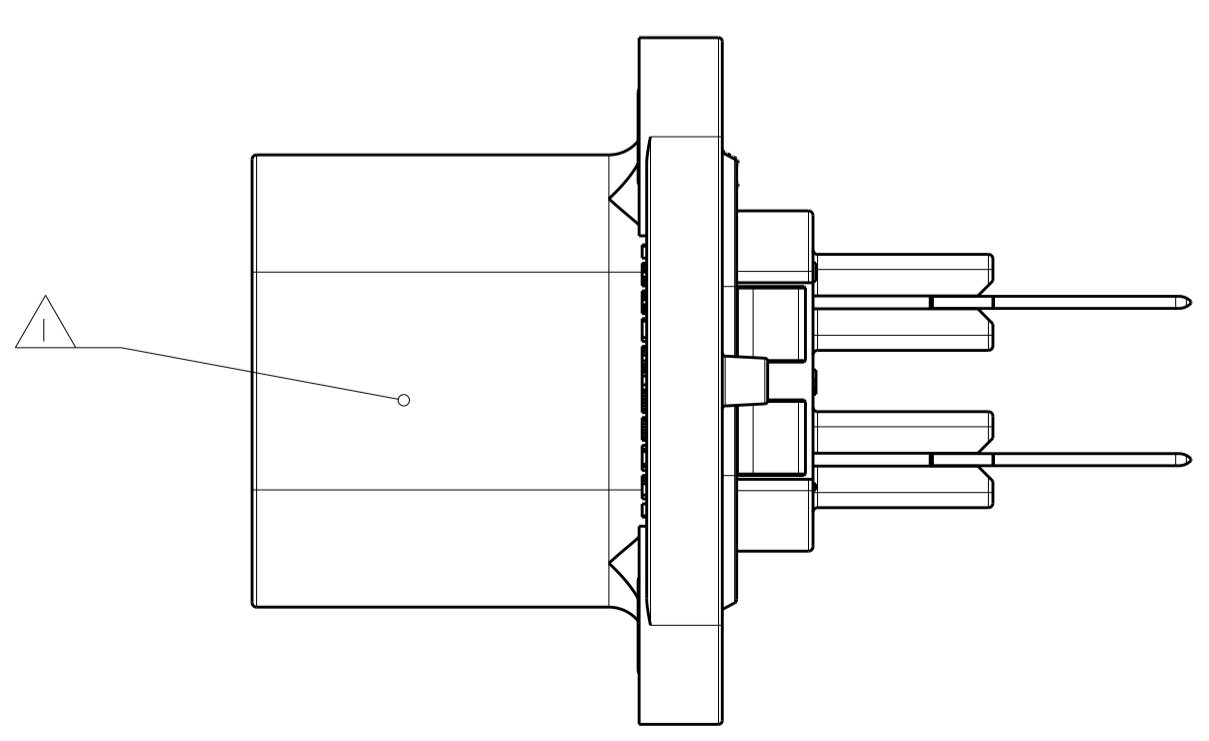
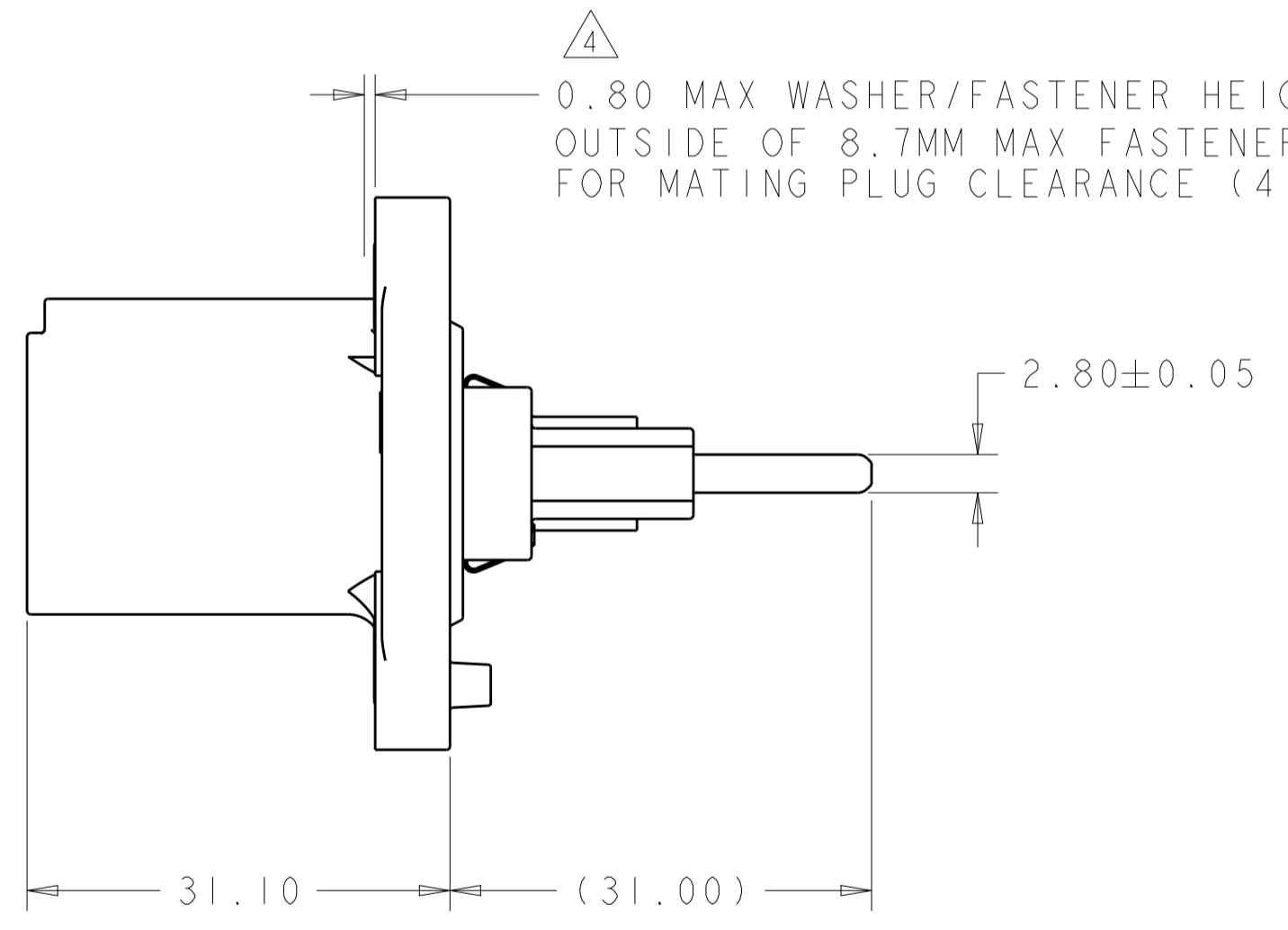


REVISIONS					
P.	LTN	DESCRIPTION	DATE	DMN	APVD
A	ECO-14-011664		28JUL2014	YS	TD



- 1. IDENTIFICATION MARKING ON THIS SURFACE CONTAINS ASSEMBLY P/N AND DATE CODE (YYDD). TEXT ORIENTATION, SIZE, AND LOCATION CAN VARY AS LONG AS TEXT IS ON SURFACE SHOWN AND READABLE.
- 2. SHIELD SEAM CAN BE POSITIONED AS SHOWN OR ROTATED 180° FROM POSITION SHOWN.
- 3. NOTE DELETED
- 4. THESE DIMENSIONS DEFINE FASTENER SIZE LIMITS FOR PROPER COMPONENT FUNCTIONALITY. END USER MUST ENSURE FASTENER AND/OR WASHER DIAMETER IS 8.6 MM MIN FOR PROPER RETENTION. THESE ARE NOT PRODUCT FEATURES - NO INSPECTION REQUIRED FOR THESE ITEMS.
- 5. SURFACE FINISH APPLIES TO AREAS SHOWN IN MOUNTING INTERFACE SPECIFICATION
- 6. USE WITH MQS RECEPTACLE P/N: 963715-6, 963715-5, 928999-6 OR 928999-5, DEPENDING ON WIRE SIZE AND MATING PLUG USED



SHIELD FINISH	INDEX	PART NO
SILVER	F	1-2103396-6
SILVER	E	1-2103396-5
SILVER	D	1-2103396-4
SILVER	B	1-2103396-2
SILVER	A	1-2103396-1
TIN	F	2103396-6
TIN	E	2103396-5
TIN	D	2103396-4
TIN	B	2103396-2
TIN	A	2103396-1

THIS DRAWING IS A CONTROLLED DOCUMENT.

DMN T. DEWILTE 27SEP2012  
 CHK T. DEWILTE 28SEP2012  
 APVD T. DEWILTE 28SEP2012

DIMENSIONS: mm

TOLERANCES UNLESS OTHERWISE SPECIFIED:

0 PLC	±0.50
1 PLC	±0.50
2 PLC	±0.15
3 PLC	±0.05
4 PLC	±0.05
ANGLES	±0.3
FINISH	

MATERIAL: -

WEIGHT: -

Customer Drawing

NAME: HVA280 2P HEADER ASSY W/HVIL - PLASTIC STITCHED CHART DRAWING

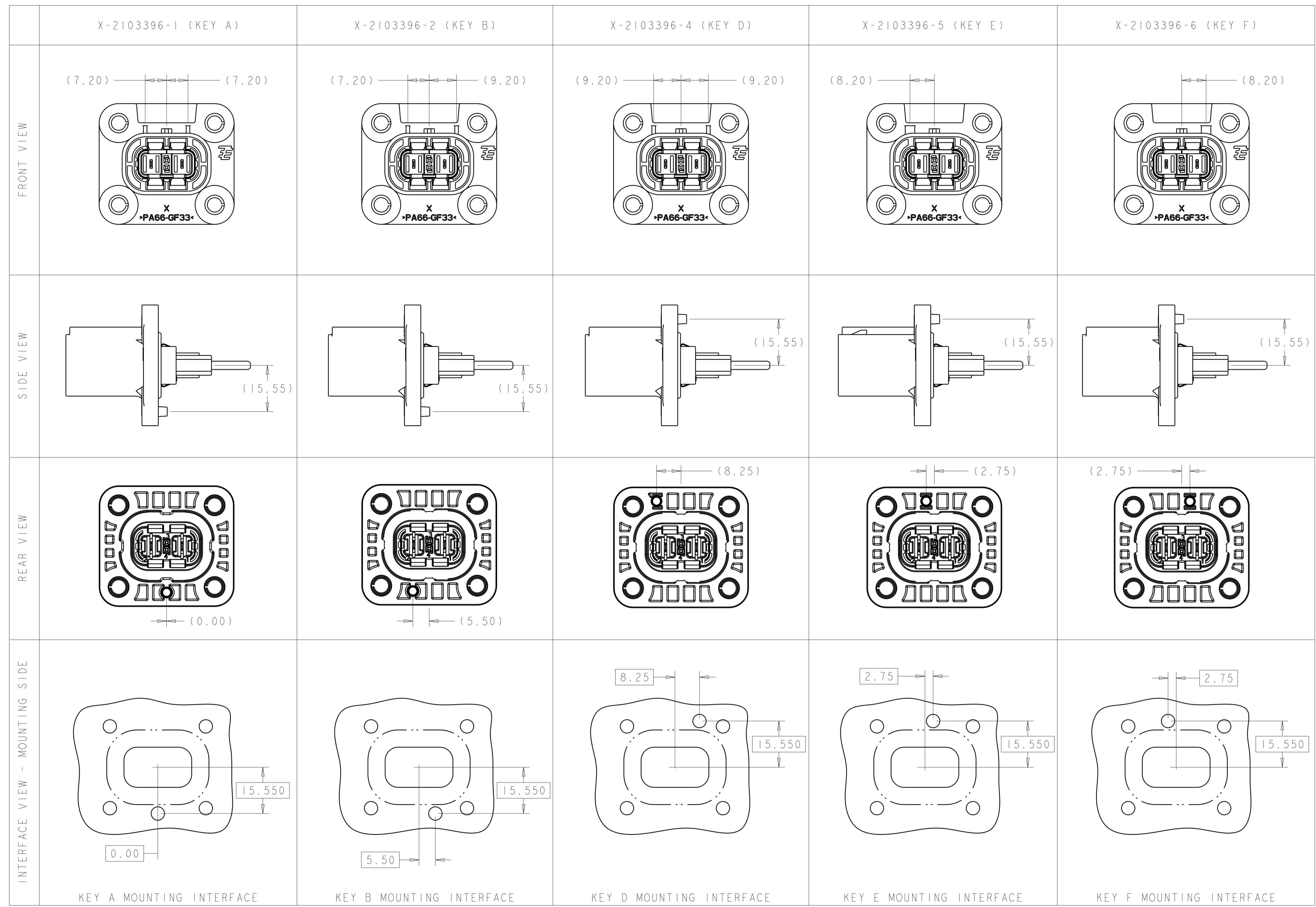
SIZE: A1

SCALE: 2:1

SHEET 1 OF 2

REV A

REVISIONS				
P.	LTN	DESCRIPTION	DATE	APVD
-	-	SEE SHEET 1	-	-



THIS DRAWING IS A CONTROLLED DOCUMENT.		OWN: T. DEWILITE 27SEP2012	TE Connectivity NAME: HVA280 2P HEADER ASSY W/HVIL - PLASTIC STITCHED CHART DRAWING
DIMENSIONS:		CHK: T. DEWILITE 28SEP2012	
TOLERANCES UNLESS OTHERWISE SPECIFIED:		APVD: T. DEWILITE 28SEP2012	
0 PLC ±0.50 1 PLC ±0.50 2 PLC ±0.15 3 PLC ±0.05 4 PLC ±0.05 ANGLES ±° FINISH ±μm		PRODUCT SPEC: APPLICATION SPEC: WEIGHT: Customer Drawing	
MATERIAL:		SIZE: A100779C=2103396	RESTRICTED TO:
SCALE: 2:1			SHEET 2 OF 2 REV A

## X-ON Electronics

Largest Supplier of Electrical and Electronic Components

*Click to view similar products for [Automotive Connectors](#) category:*

*Click to view products by [TE Connectivity](#) manufacturer:*

Other Similar products are found below :

[003-018-000](#) [60993906-B](#) [M902-2131](#) [M902-2161](#) [M902-2344](#) [72.330.1035.1](#) [73.353.4028.0](#) [F166900](#) [F358300-B](#) [F407400](#) [776880-1](#)  
[827153-1](#) [8N1515-32-24P](#) [9-1326729-8](#) [925474-1](#) [928905-1](#) [964562-4](#) [968782-1](#) [98891-1012](#) [12004475-L](#) [12020308](#) [12041318-B](#)  
[12052466](#) [12064869](#) [12015909](#) [1-21030-1](#) [12041254](#) [12041318](#) [12047946-B](#) [12110546-B](#) [12131792](#) [12084688](#) [12092346](#) [HD34-18-14PT](#)  
[HD46-24-23SN-059](#) [HDB36-24-16PN-059](#) [HDP26-24-9SE-L015](#) [12185280](#) [12185550](#) [12336-12](#) [12191172-B](#) [12S](#) [13545280](#) [13577943](#)  
[13681974](#) [13737722-B](#) [13830674](#) [13832576](#) [13849772](#) [13542772](#)