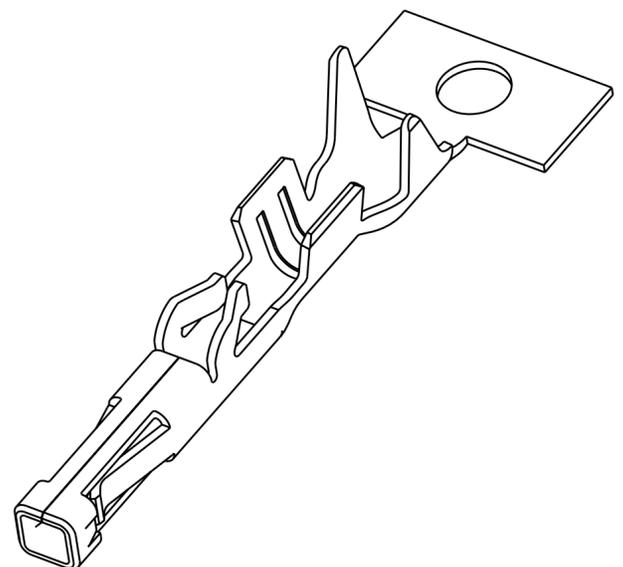
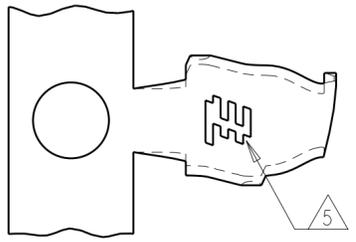
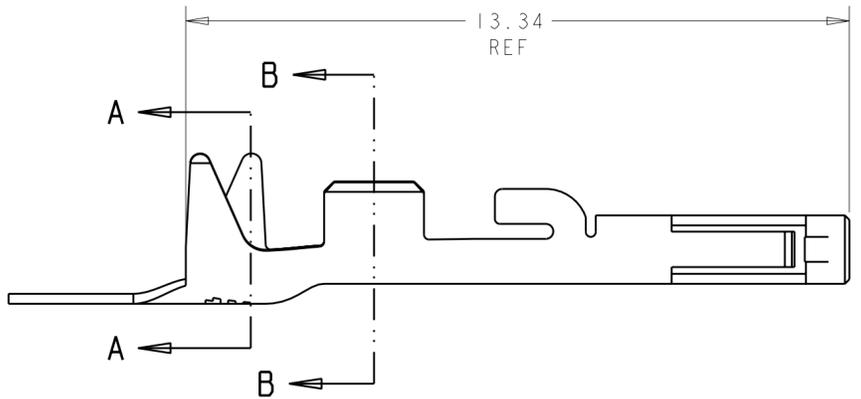
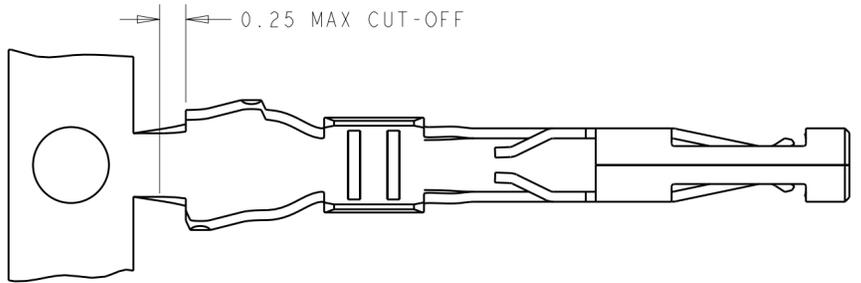
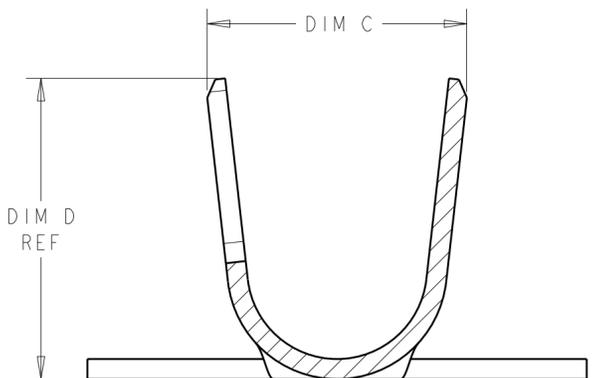


THIS DRAWING IS UNPUBLISHED. RELEASED FOR PUBLICATION 20
 © COPYRIGHT 20 ALL RIGHTS RESERVED.

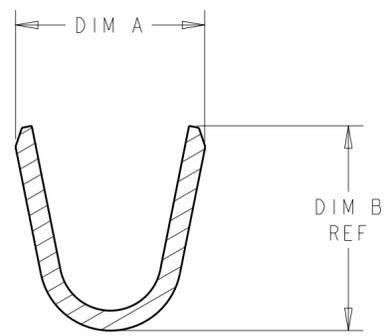
LOC		DIST		REVISIONS			
P	LTR	DESCRIPTION	DATE	DWN	APVD		
A2		REVISED PER ECR-11-014651	20JUL2011	RK	DD		
A3		REVISED PER ECR-11-016987	5SEP2011	RS	DD		



- 1 COPPER ALLOY, 0.20 THK. REF
- 2 NICKEL UNDERPLATE OVER ALL
- 3 0.00254 MIN THK BRIGHT TIN, LUBRICATED, OVER NICKEL UNDERPLATE
- 4 0.000381 THK GOLD STRIPE
- 5 TE CONNECTIVITY LOGO LOCATED APPROXIMATELY AS SHOWN
- 6 0.000762 THK GOLD STRIPE



SECTION A-A
SCALE 20:1



SECTION B-B
SCALE 20:1

DIM D	DIM C	DIM B	DIM A	INSULATION DIA	WIRE RANGE	REMARKS	FINISH	PART NO
2.40	2.60 2.20	1.55	1.96 1.57	1.30 - 1.60	22-24 AWG	ON REEL	6	1-2106123-6
2.40	2.60 2.20	1.55	1.96 1.57	1.30 - 1.60	22-24 AWG	ON REEL	4	1-2106123-3
2.40	2.60 2.20	1.55	1.96 1.57	1.30 - 1.60	22-24 AWG	LOOSE PIECE	2 3	1-2106123-2
2.40	2.60 2.20	1.55	1.96 1.57	1.30 - 1.60	22-24 AWG	ON REEL	2 3	1-2106123-1
3.01	2.80 2.40	2.05	2.32 1.92	1.70 - 2.10	18-20 AWG	ON REEL	4	2106123-3
3.01	2.80 2.40	2.05	2.32 1.92	1.70 - 2.10	18-20 AWG	LOOSE PIECE	2 3	2106123-2
3.01	2.80 2.40	2.05	2.32 1.92	1.70 - 2.10	18-20 AWG	ON REEL	2 3	2106123-1

THIS DRAWING IS A CONTROLLED DOCUMENT.

DWN R BROWN 04MAR2009
 CHK A BUCHER 04MAR2009
 APVD -

STE TE Connectivity

NAME CONTACT, RECEPTACLE, CRIMP SNAP-IN SLIM SEAL SSL

PRODUCT SPEC 108-2391
 APPLICATION SPEC 114-13261

SIZE A2 CAGE CODE 00779 DRAWING NO C-2106123 RESTRICTED TO -

MATERIAL SEE TABLE WEIGHT -

CUSTOMER DRAWING SCALE 10:1 SHEET 1 OF 1 REV A3

X-ON Electronics

Largest Supplier of Electrical and Electronic Components

Click to view similar products for [Lighting Connectors](#) category:

Click to view products by [TE Connectivity](#) manufacturer:

Other Similar products are found below :

[293300-7](#) [293660-5](#) [CNX_H03_NTP](#) [30-9767-BU](#) [3605](#) [3-21030-1](#) [ZCH-110-RGB-I](#) [503471-0290](#) [ZCH-110-RGB-J](#) [217-0716-200](#)
[1954563-1](#) [1-293657-2](#) [2834036-1](#) [2834037-1](#) [1-2213222-4](#) [2-2213222-4](#) [2213222-4](#) [2834122-3](#) [2834122-5](#) [2834135-2](#) [FLA-R4142-30](#)
[FLA-R4162-30](#) [FLA-R2142-30](#) [FLA-R2141-30](#) [FLA-R2162-30](#) [FLA-R2161-30](#) [FLA-R0161-30](#) [FLA-R0141-30](#) [FLA-R0142-30](#) [FLA-](#)
[R0162-30](#) [FLA-C00-00](#) [DGA00010553](#) [CNXV04NTP](#) [104128-0610](#) [503485-0000 \(Cut Strip\)](#) [503485-0000 \(Loose Piece\)](#) [503485-0000](#)
[\(MINI Reel\)](#) [1-2834074-2](#) [1-2834074-3](#) [1357-AC PLUG W2C \(CHINA\)](#) [1357-AC PLUG W2 \(USA\)](#) [104266-0110](#) [2106212-1](#) [2-2834074-2](#)
[104266-0210](#) [293470-1](#) [293651-2](#) [293651-4](#) [1-2834006-2](#) [293651-1](#)