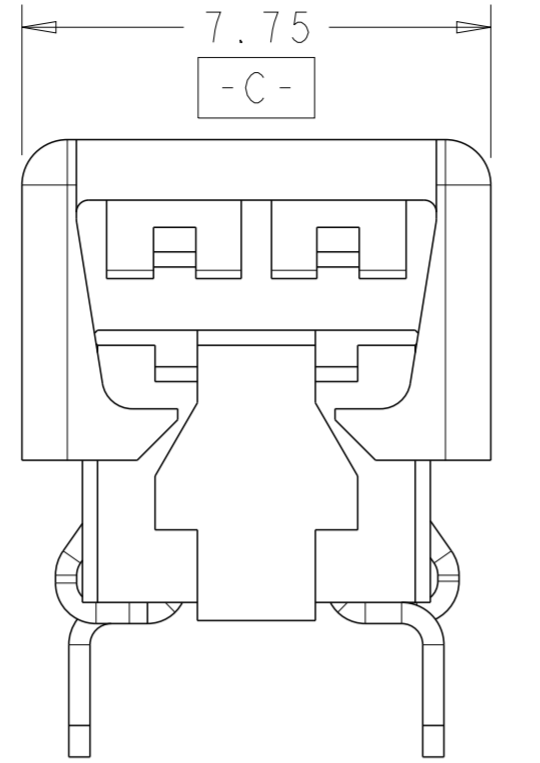
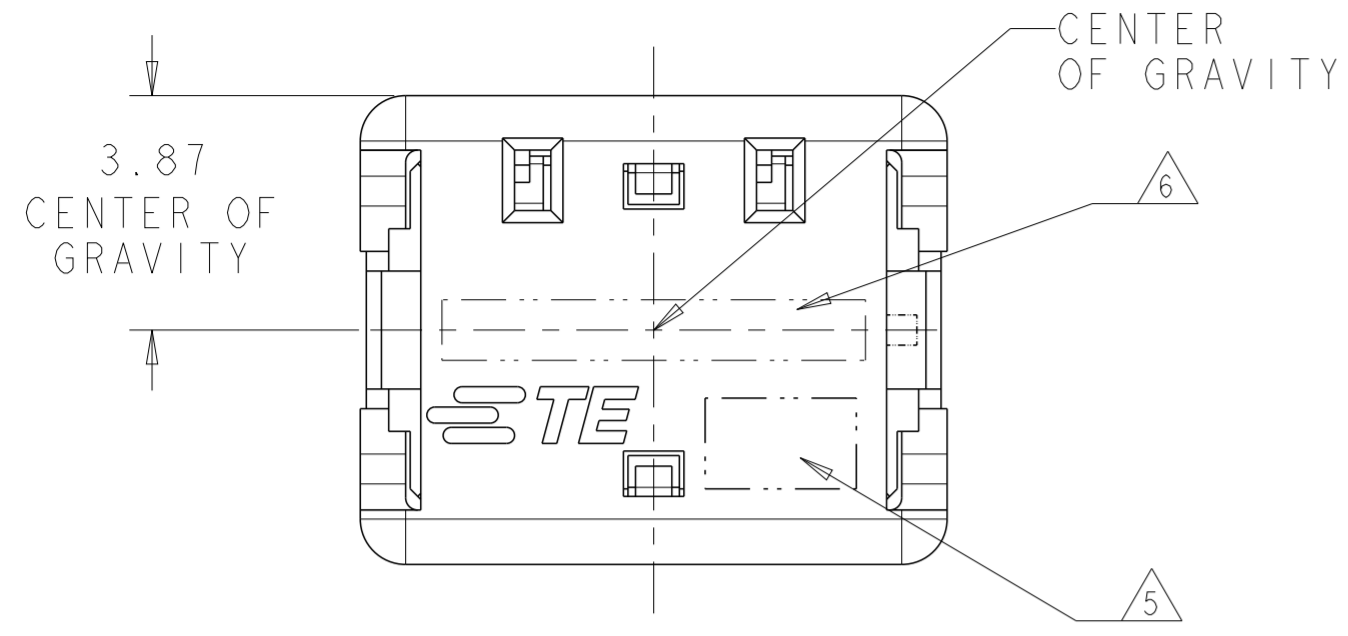
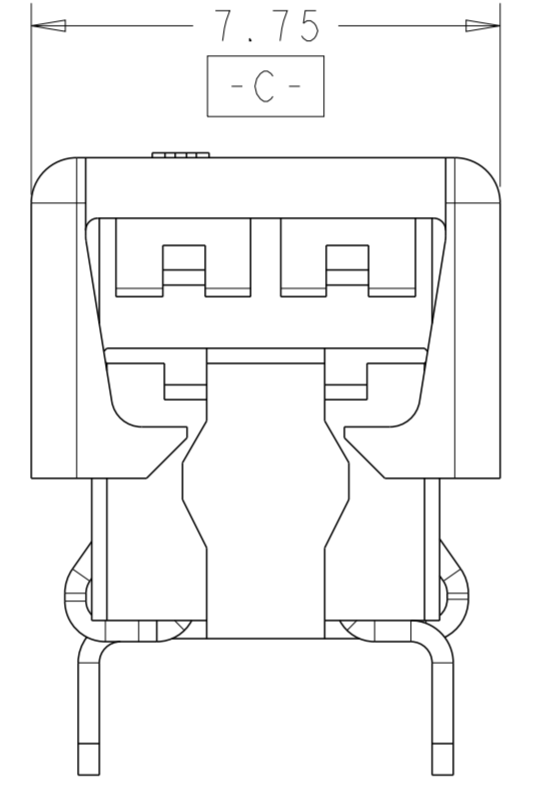
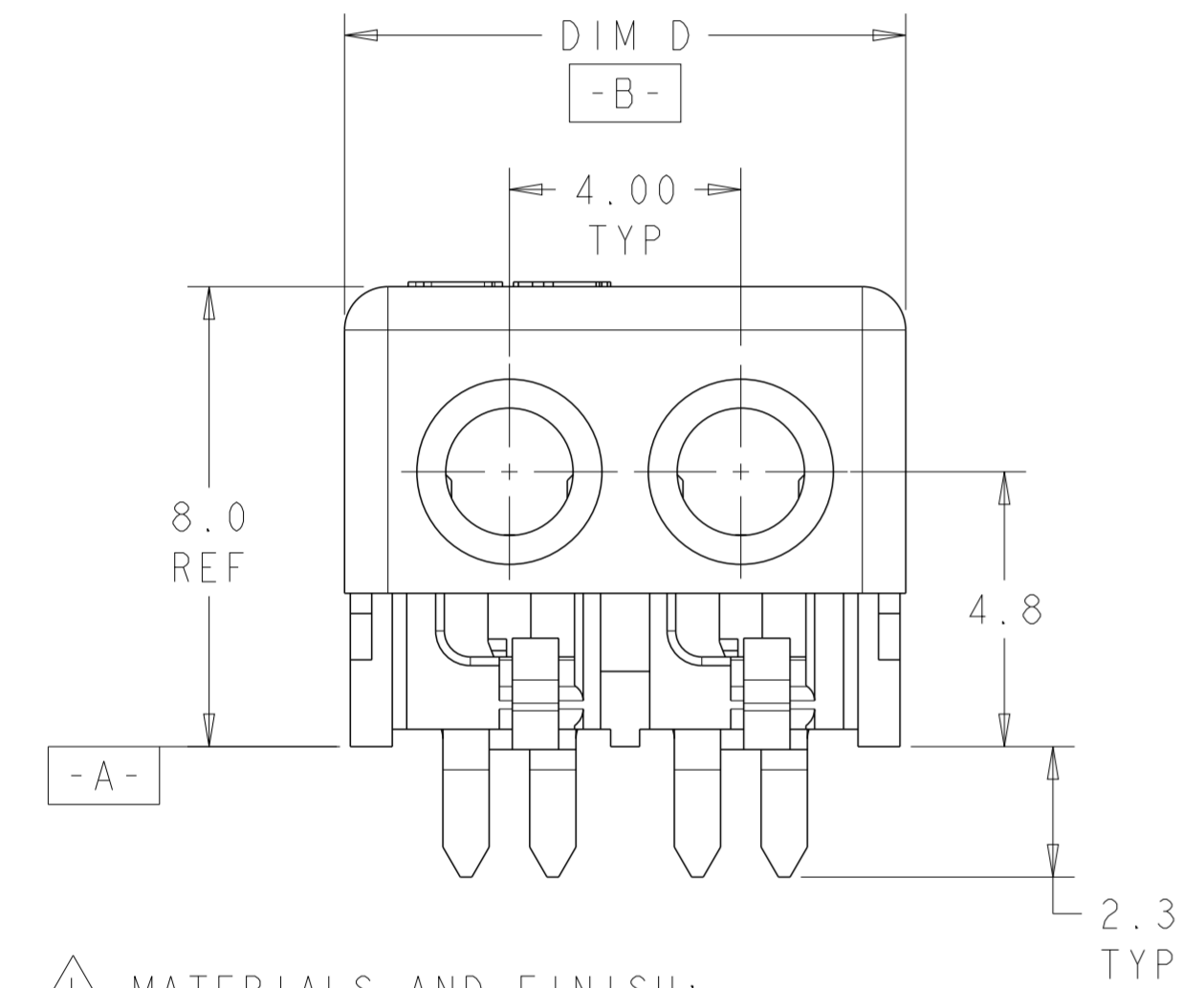


THIS DRAWING IS UNPUBLISHED. RELEASED FOR PUBLICATION 20  
 © COPYRIGHT 20 BY - ALL RIGHTS RESERVED.

LOC	DIST	REVISIONS					
CM	00	P	LTR	DESCRIPTION	DATE	DWN	APVD
		A1		REVISED PER ECR-12-003555	19APR2012	RS	DD
		A2		REVISED PER ECR-12-016877	20OCT2012	RS	DD
		B		REVISED PER ECR-15-004054	28JUL2015	RS	DD
		C		REVISED PER ECR-15-017995	18DEC2015	RS	DD

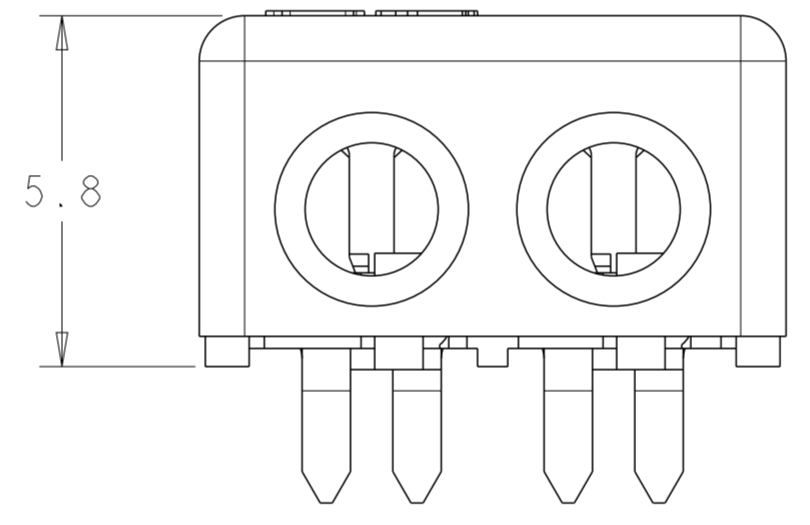


FOR 1 POSITION ONLY

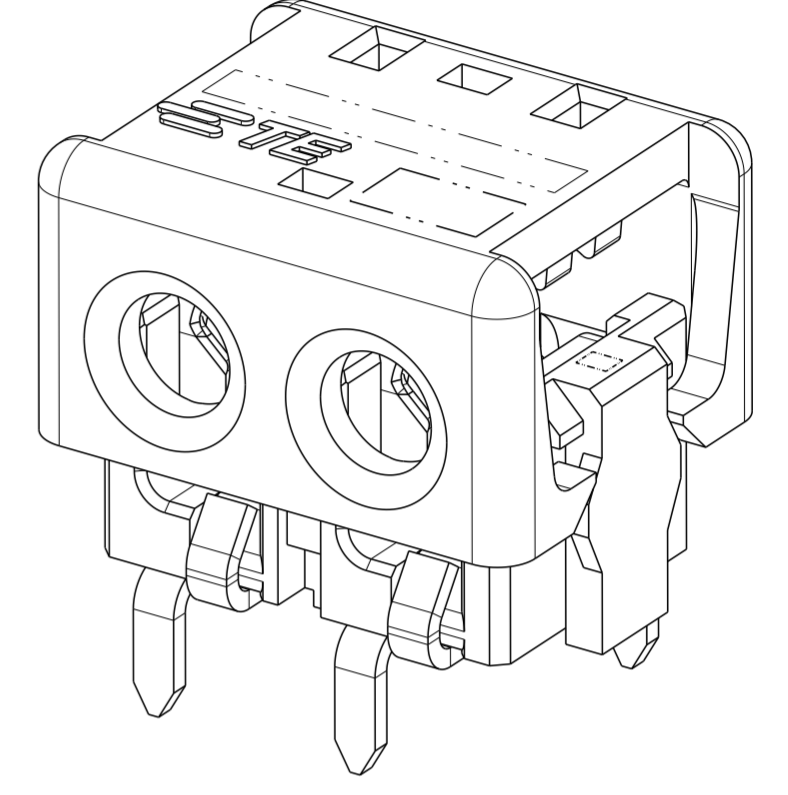


FOR 2, 3 AND 4 POSITIONS

2 POSITION SHOWN AS SHIPPED



2 POSITION SHOWN CLOSED SCALE 8:1



- △ MATERIALS AND FINISH:
  - HOUSING: LCP, COLOR: NATURAL
  - CONTACTS: COPPER ALLOY, FINISH: Sn OVER Ni

- 2. COMPLY WITH DIRECTIVE 2002/95/EC (ROHS)
- 3. 18-24AWG SOLID OR STRANDED WIRE. PLEASE REFER TO APPLICATION SPEC 114-13266 FOR RECOMMENDED STRAND COUNT.
  - 18 AWG MAX INSULATION OD: 2.20
  - 20 AWG MAX INSULATION OD: 1.90
  - 22 AWG MAX INSULATION OD: 1.70
  - 24 AWG MAX INSULATION OD: 1.45
- 4. PACKAGE IN TAPE AND REEL PER EIA-481 SPECIFICATION

- △ WIRE SIZE MARKING IN APPROXIMATE LOCATION SHOWN.
- △ COLOR CODE MARKING, STRAIGHT LINE.
- △ ONE POSITION ASSEMBLY DOES NOT COMPLY WITH EIA 481 SPECIFICATION.

RED	17.70	24 AWG	4	3-2106489-4
	13.70	24 AWG	3	3-2106489-3
	9.70	24 AWG	2	3-2106489-2
	5.70	24 AWG	1	△ 3-2106489-1
GREEN	17.70	22 AWG	4	2-2106489-4
	13.70	22 AWG	3	2-2106489-3
	9.70	22 AWG	2	2-2106489-2
BLUE	5.70	22 AWG	1	△ 2-2106489-1
	17.70	20 AWG	4	1-2106489-4
	13.70	20 AWG	3	1-2106489-3
	9.70	20 AWG	2	1-2106489-2
YELLOW	5.70	20 AWG	1	△ 1-2106489-1
	17.70	18 AWG	4	2106489-4
	13.70	18 AWG	3	2106489-3
	9.70	18 AWG	2	2106489-2
COLOR CODE	DIM D	WIRE SIZE	POSN	PART NUMBER

THIS DRAWING IS A CONTROLLED DOCUMENT. DWN: C DAILY 11JUN2009  
 CHK: O OSAGIE 11JUN2009

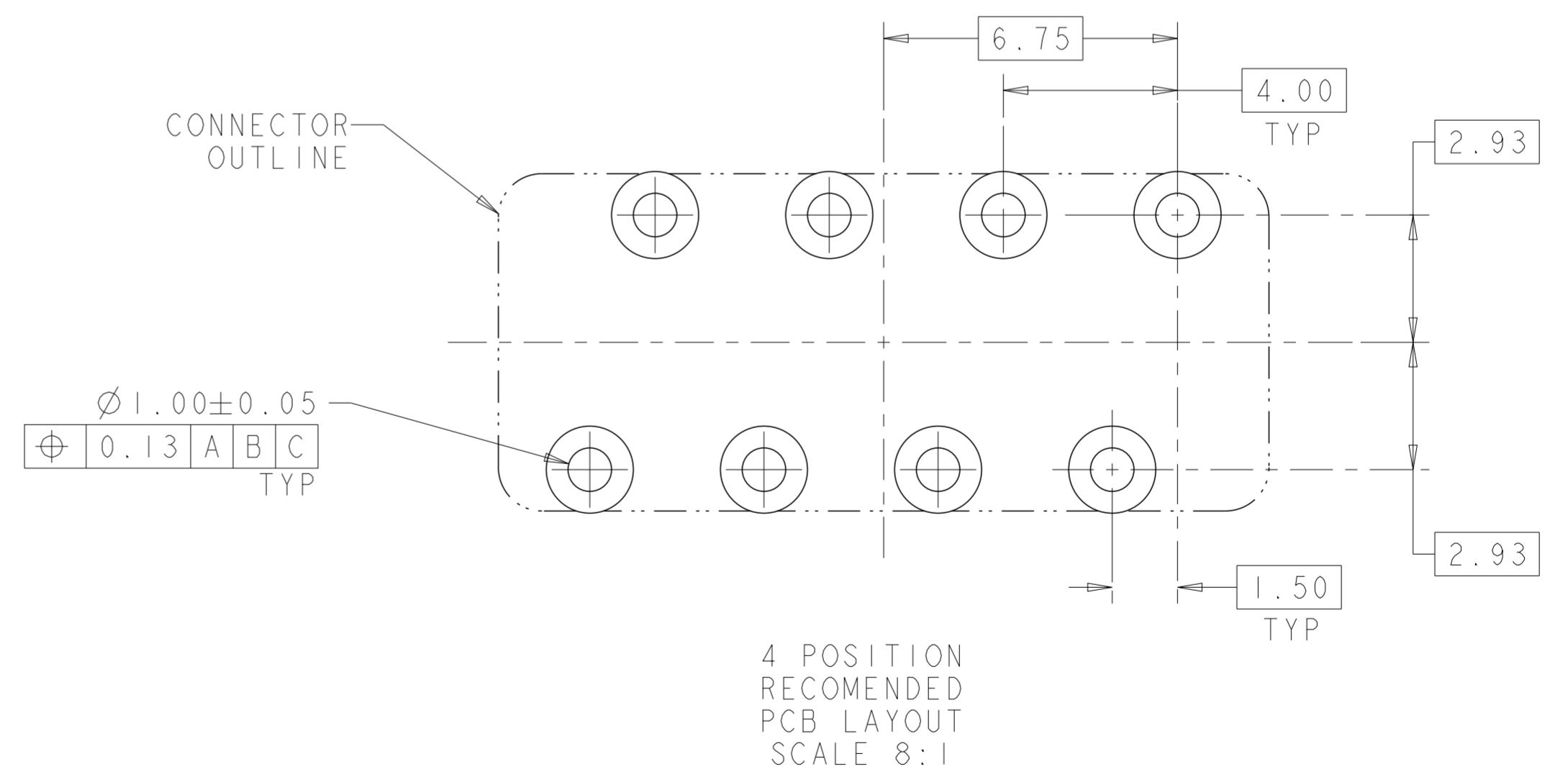
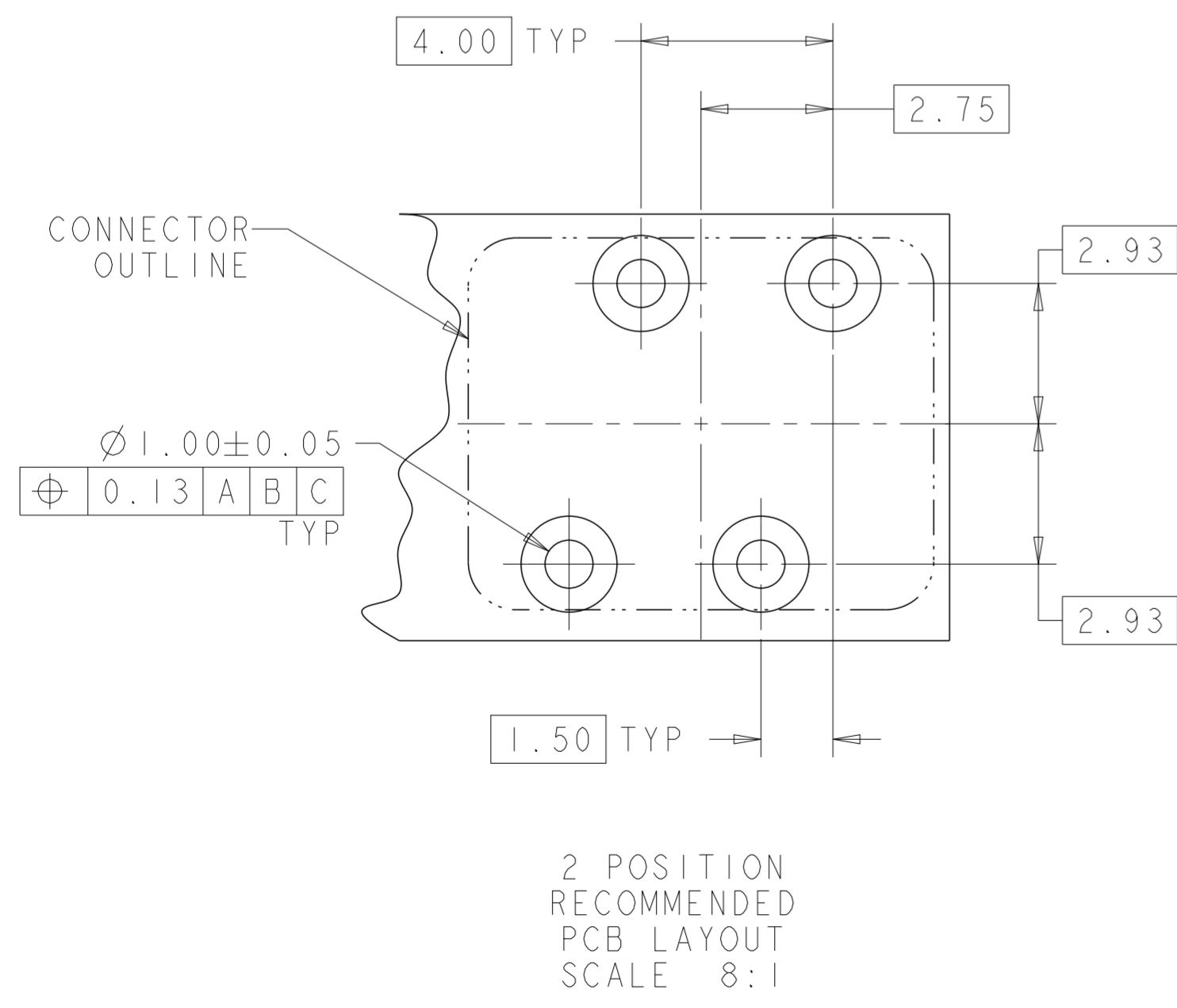
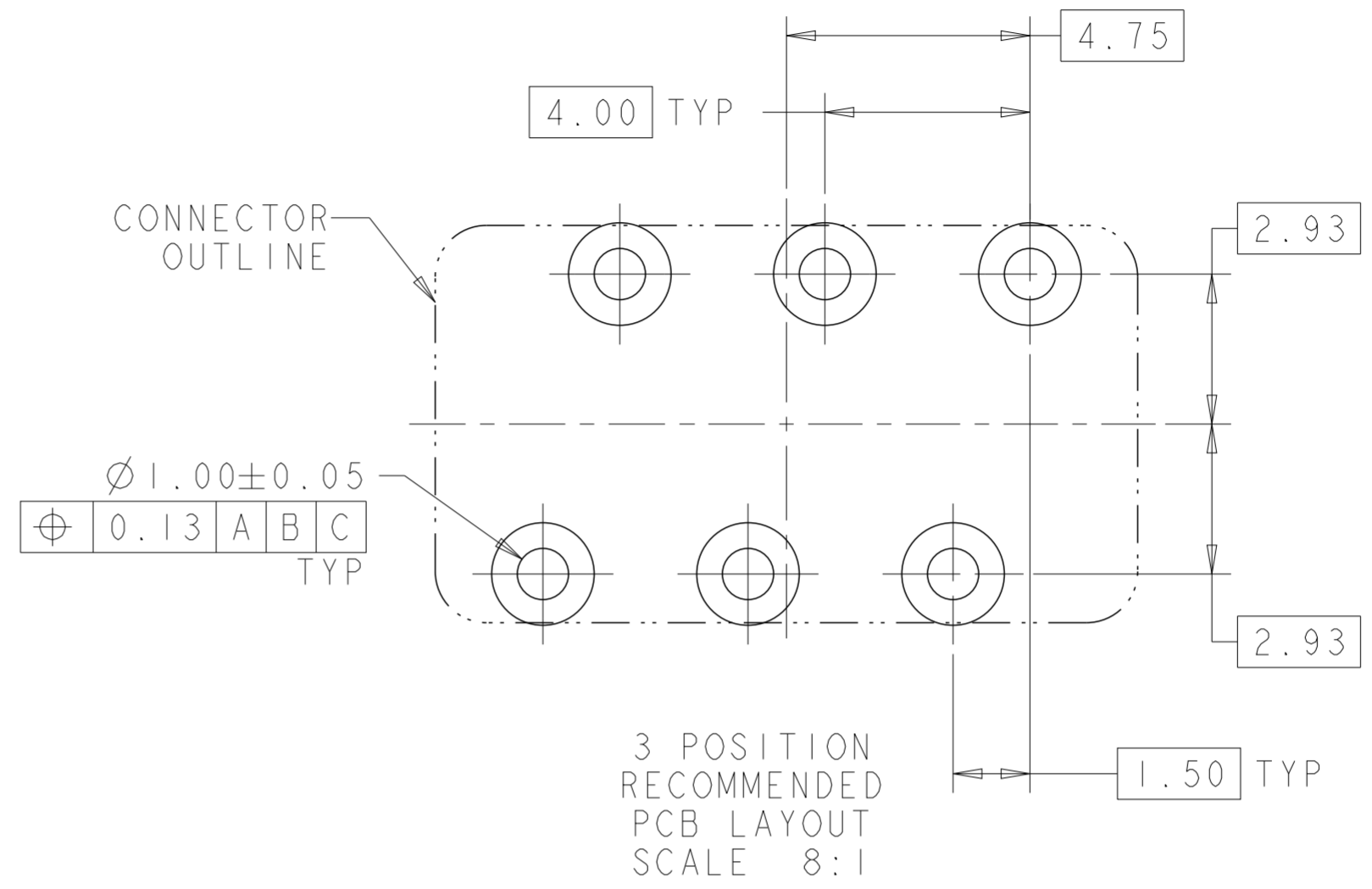
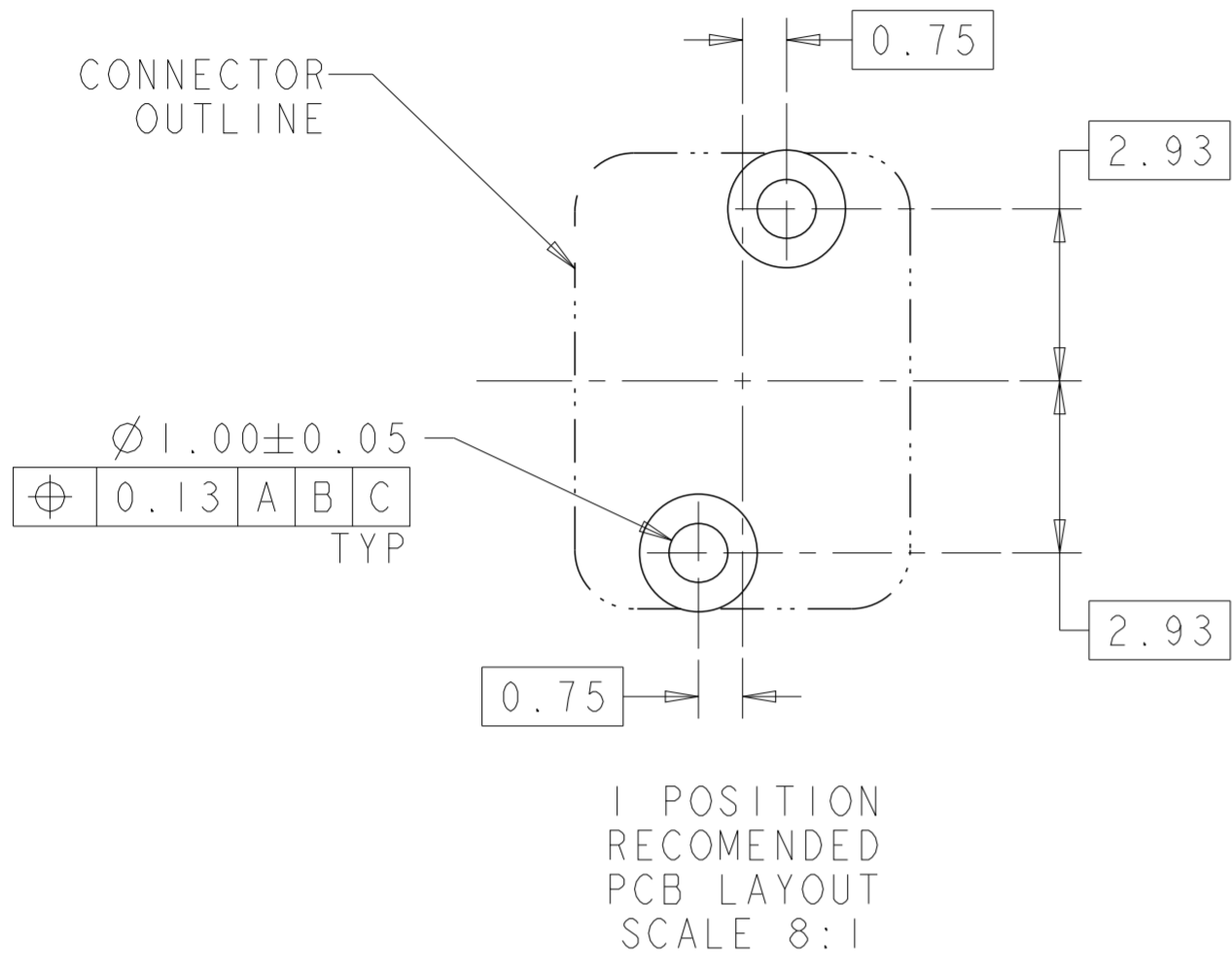
**STE** TE Connectivity

ASSEMBLY, IDC SSL CONNECTOR, THROUGH HOLE, CLOSED END

DIMENSIONS: mm	TOLERANCES UNLESS OTHERWISE SPECIFIED:	PRODUCT SPEC: 108-2404	SIZE: A2	CAGE CODE: 00779	DRAWING NO: C-2106489	RESTRICTED TO: -
MATERIAL: △	FINISH: △	APPLICATION SPEC: 114-13266	WEIGHT: -	SCALE: 8:1	SHEET: 1 OF 3	REV: C

Customer Drawing

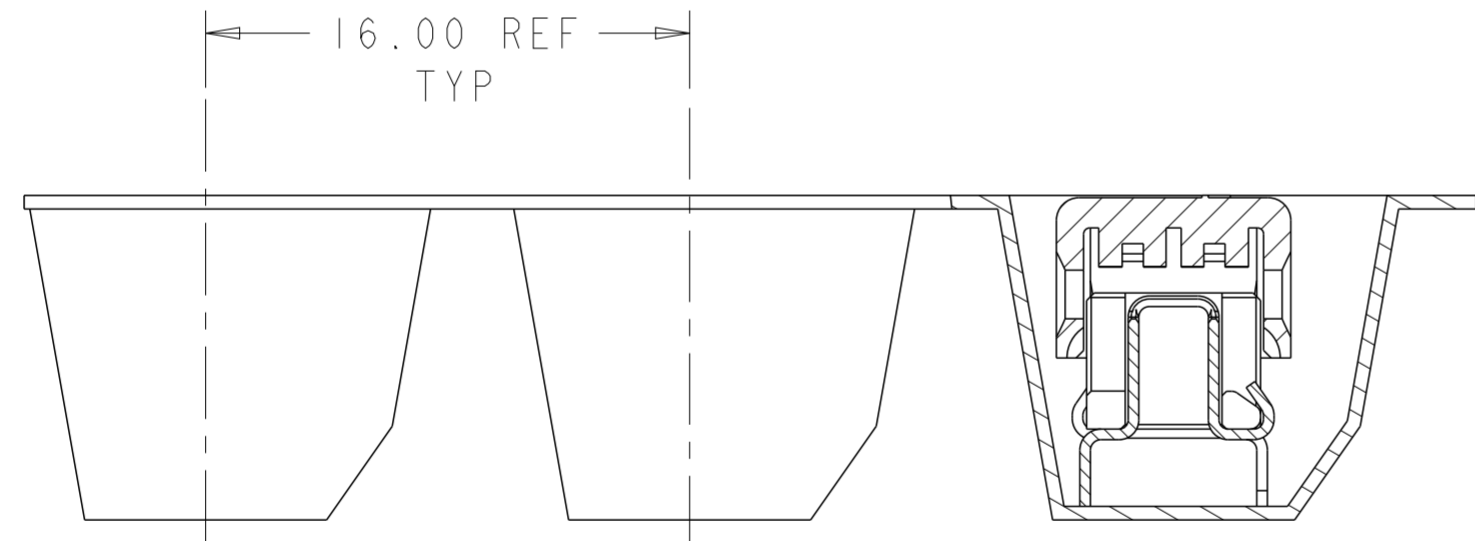
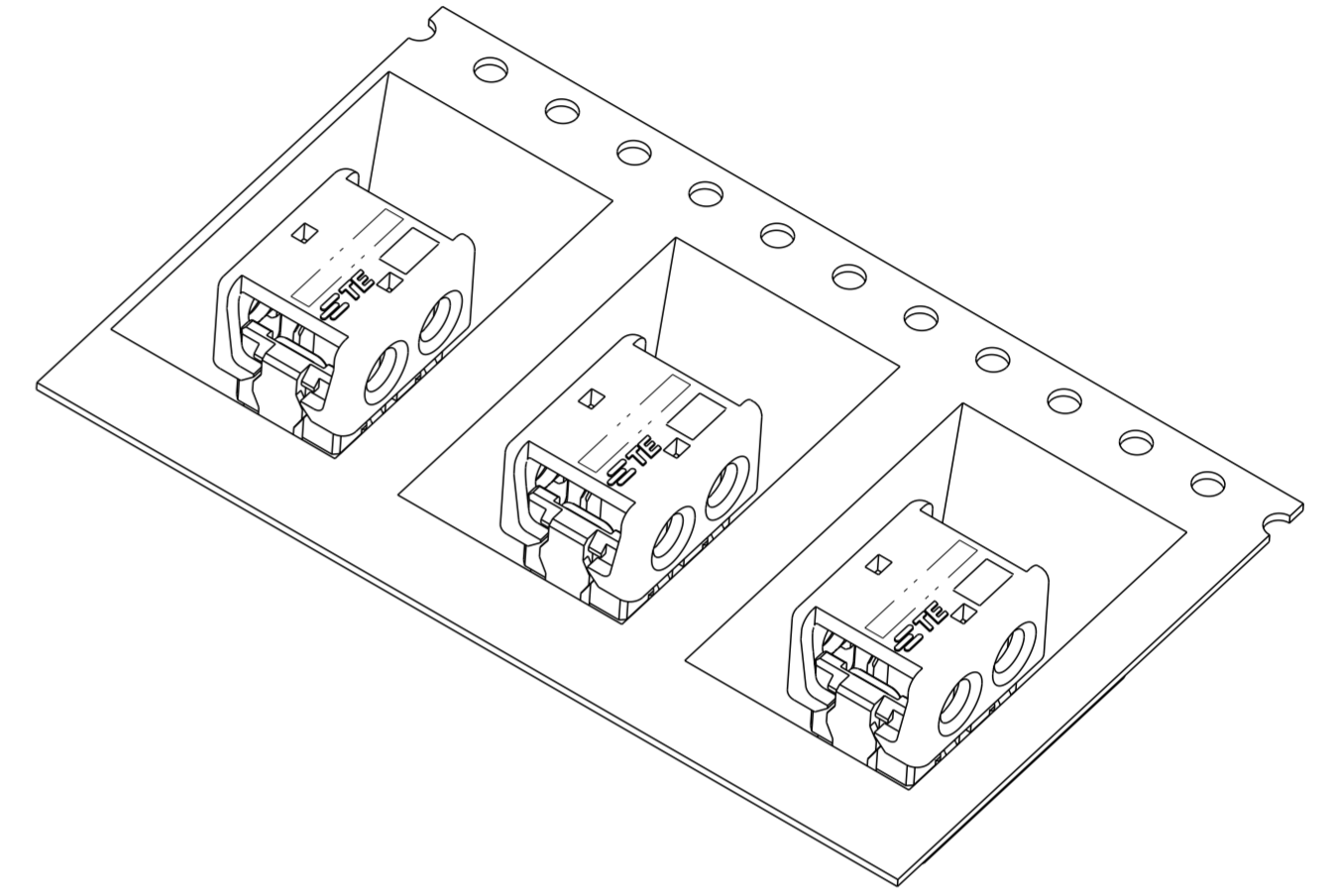
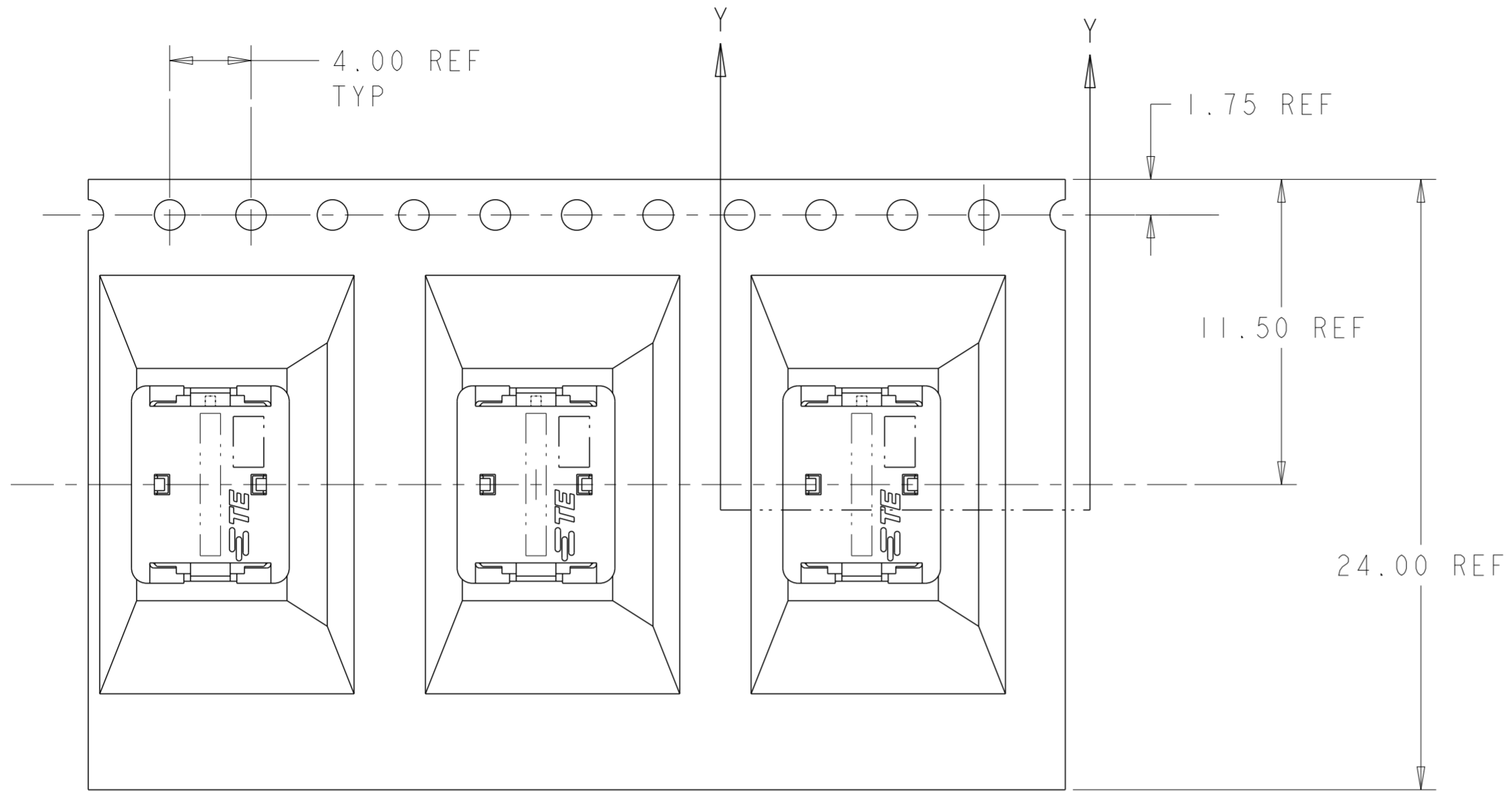
LOC		DIST		REVISIONS			
P	LTR	DESCRIPTION		DATE	DWN	APVD	
-	-	SEE SHEET 1		-	-	-	



THIS DRAWING IS A CONTROLLED DOCUMENT.		DWN C DAILY 11 JUN 2009	<b>STE</b> TE Connectivity	
		CHK O QSAGIE 11 JUN 2009		
DIMENSIONS: mm	TOLERANCES UNLESS OTHERWISE SPECIFIED:	APVD -	NAME ASSEMBLY, IDC SSL CONNECTOR, THROUGH HOLE, CLOSED END	
	0 PLC ± 1 PLC ±0.5 2 PLC ±0.13 3 PLC ± 4 PLC ±	PRODUCT SPEC 108-2404	SIZE A200779	CAGE CODE C-2106489
MATERIAL material_2	FINISH finish_spec_2	APPLICATION SPEC 114-13266	DRAWING NO -	RESTRICTED TO -
		WEIGHT -	SCALE 8:1	SHEET 1 OF 3
		Customer Drawing	REV C	

THIS DRAWING IS UNPUBLISHED. RELEASED FOR PUBLICATION 20  
 © COPYRIGHT 20 BY - ALL RIGHTS RESERVED.

LOC		DIST		REVISIONS			
P	LTR	DESCRIPTION		DATE	DWN	APVD	
-	-	SEE SHEET 1		-	-	-	



SECTION Y-Y

2106489-2 SHOWN IN POCKET TAPE

THIS DRAWING IS A CONTROLLED DOCUMENT.		DWN C DAILY 11JUN2009	TE Connectivity	
		CHK O. OSAGIE 11JUN2009		
DIMENSIONS: mm		TOLERANCES UNLESS OTHERWISE SPECIFIED: 0 PLC ± 1 PLC ±0.5 2 PLC ±0.13 3 PLC ± 4 PLC ± ANGLES ± FINISH -		NAME ASSEMBLY, IDC SSL CONNECTOR, THROUGH HOLE, CLOSED END
MATERIAL material_2		PRODUCT SPEC 108-2404 APPLICATION SPEC 114-13266 WEIGHT -		SIZE CAGE CODE DRAWING NO A200779 C-2106489
		Customer Drawing		RESTRICTED TO -
		SCALE 8:1		SHEET 1 OF 3 REV C

## X-ON Electronics

Largest Supplier of Electrical and Electronic Components

*Click to view similar products for [Lighting Connectors](#) category:*

*Click to view products by [TE Connectivity](#) manufacturer:*

Other Similar products are found below :

[293300-7](#) [293660-5](#) [CNX\\_H03\\_NTP](#) [30-9767-BU](#) [3605](#) [3-21030-1](#) [ZCH-110-RGB-I](#) [503471-0290](#) [ZCH-110-RGB-J](#) [217-0716-200](#)  
[1954563-1](#) [1-293657-2](#) [2834036-1](#) [2834037-1](#) [1-2213222-4](#) [2-2213222-4](#) [2213222-4](#) [2834122-3](#) [2834122-5](#) [2834135-2](#) [FLA-R4142-30](#)  
[FLA-R4162-30](#) [FLA-R2142-30](#) [FLA-R2141-30](#) [FLA-R2162-30](#) [FLA-R2161-30](#) [FLA-R0161-30](#) [FLA-R0141-30](#) [FLA-R0142-30](#) [FLA-](#)  
[R0162-30](#) [FLA-C00-00](#) [DGA00010553](#) [CNXV04NTP](#) [104128-0610](#) [503485-0000 \(Cut Strip\)](#) [503485-0000 \(Loose Piece\)](#) [503485-0000](#)  
[\(MINI Reel\)](#) [1-2834074-2](#) [1-2834074-3](#) [1357-AC PLUG W2C \(CHINA\)](#) [1357-AC PLUG W2 \(USA\)](#) [104266-0110](#) [2106212-1](#) [2-2834074-2](#)  
[104266-0210](#) [293470-1](#) [293651-2](#) [293651-4](#) [1-2834006-2](#) [293651-1](#)