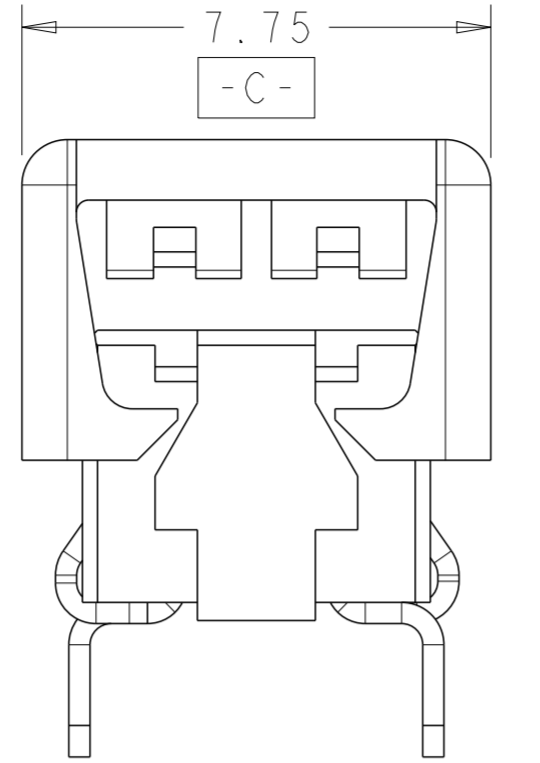
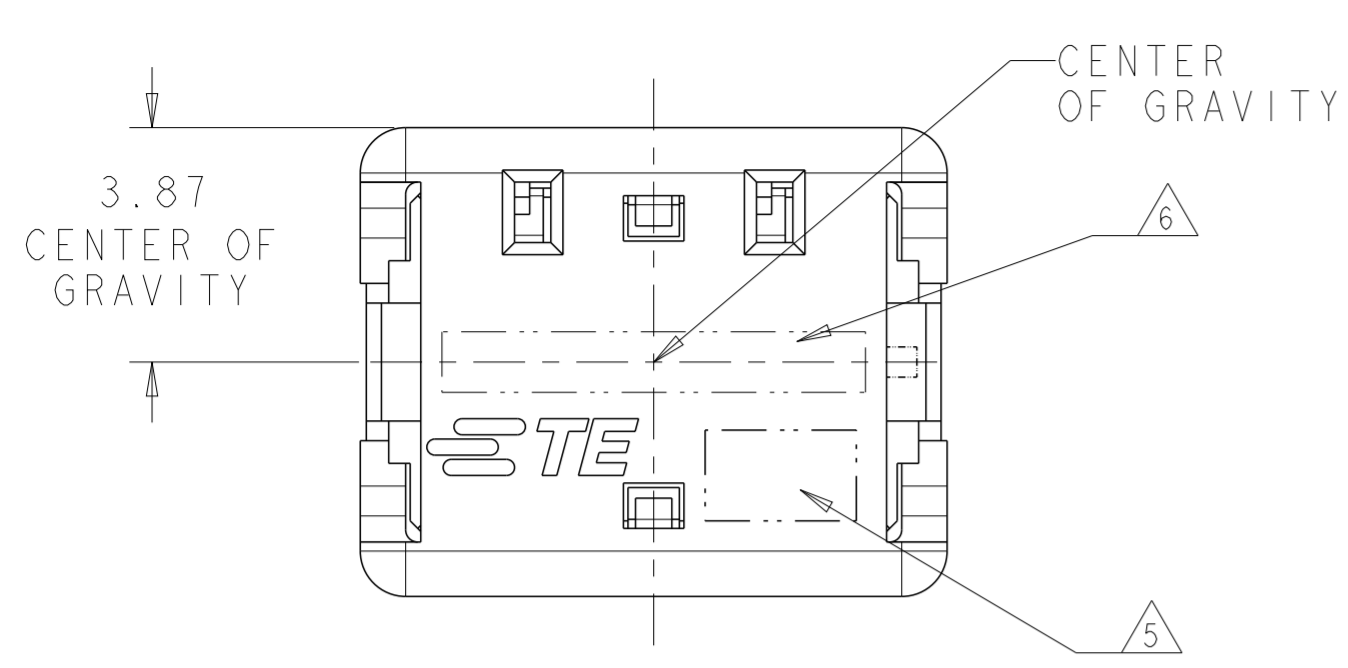
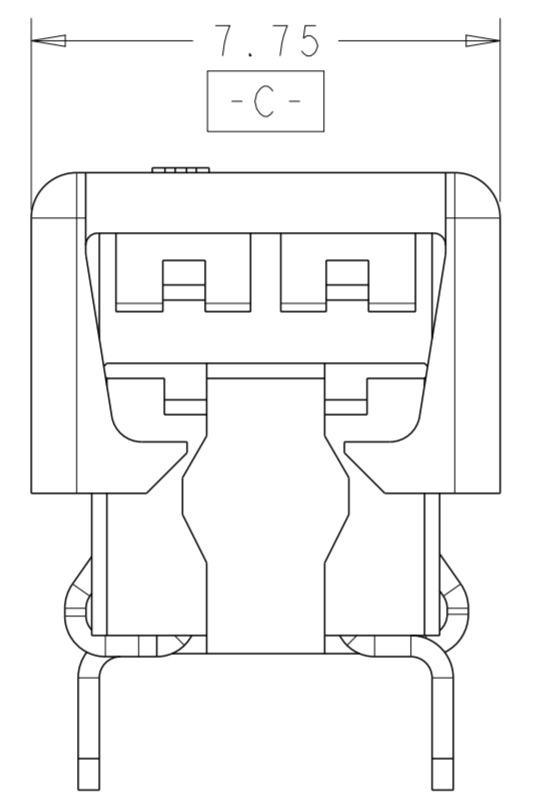
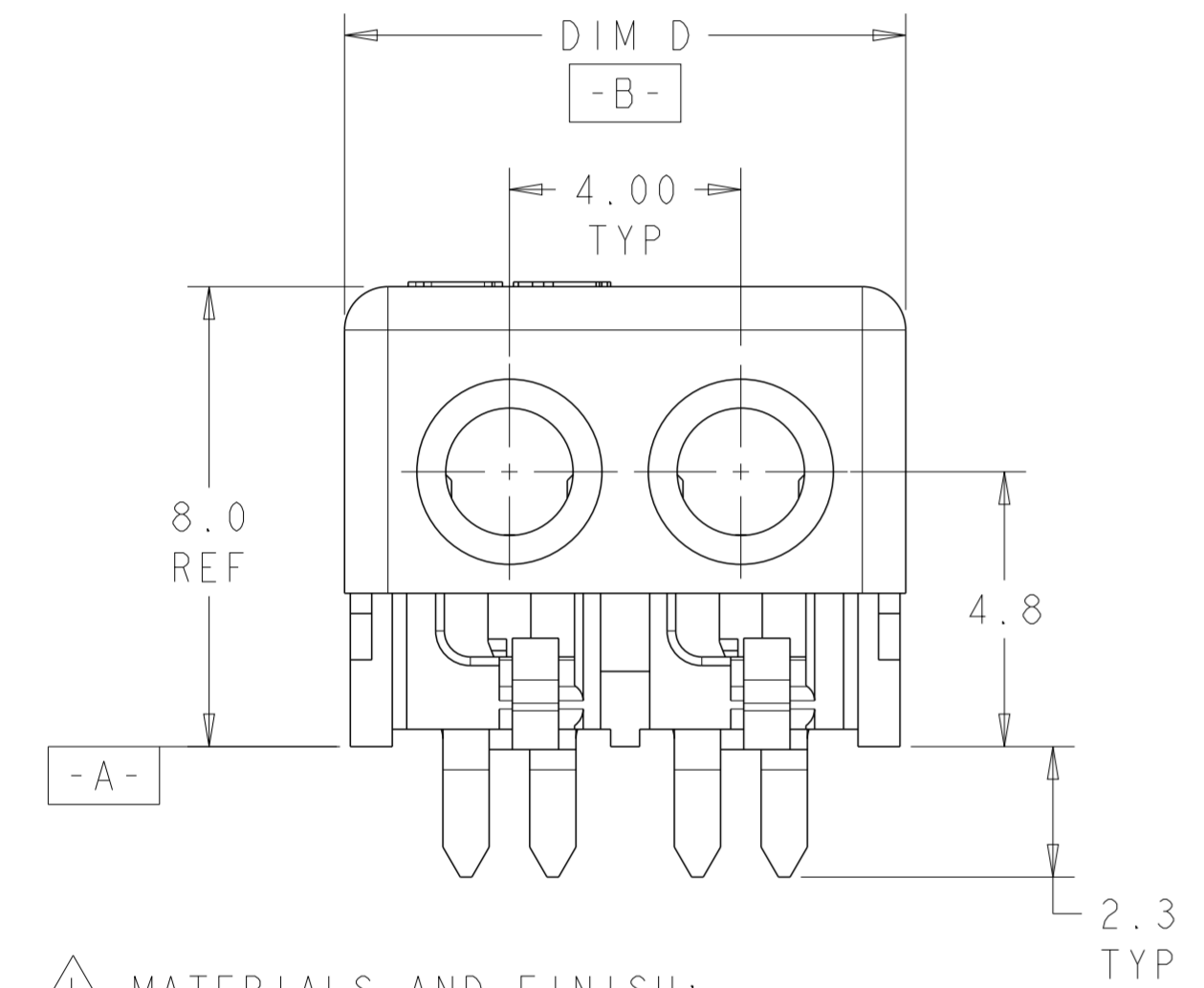


THIS DRAWING IS UNPUBLISHED. RELEASED FOR PUBLICATION 20  
 © COPYRIGHT 20 BY - ALL RIGHTS RESERVED.

LOC		DIST		REVISIONS			
P	LTR	DESCRIPTION		DATE	DWN	APVD	
	CM	00					
A1				REVISD PER ECR-12-003555	19APR2012	RS DD	
A2				REVISD PER ECR-12-016877	20OCT2012	RS DD	
B				REVISD PER ECR-15-004054	28JUL2015	RS DD	
C				REVISD PER ECR-15-017995	18DEC2015	RS DD	

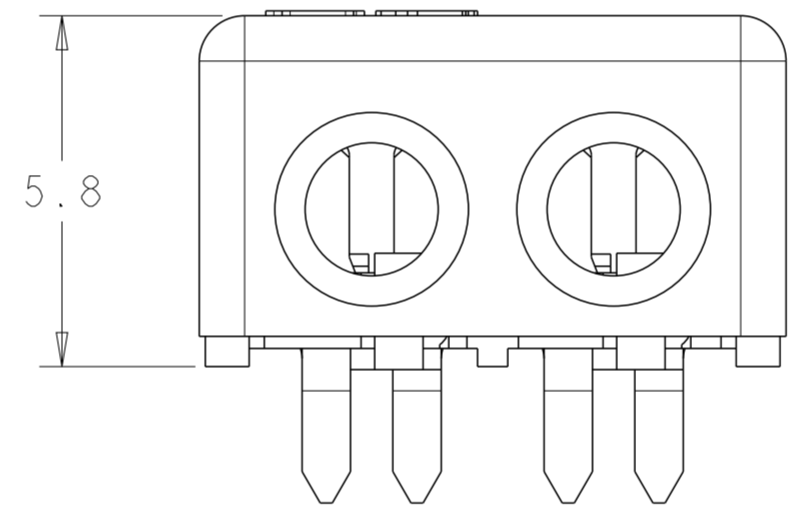


FOR 1 POSITION ONLY

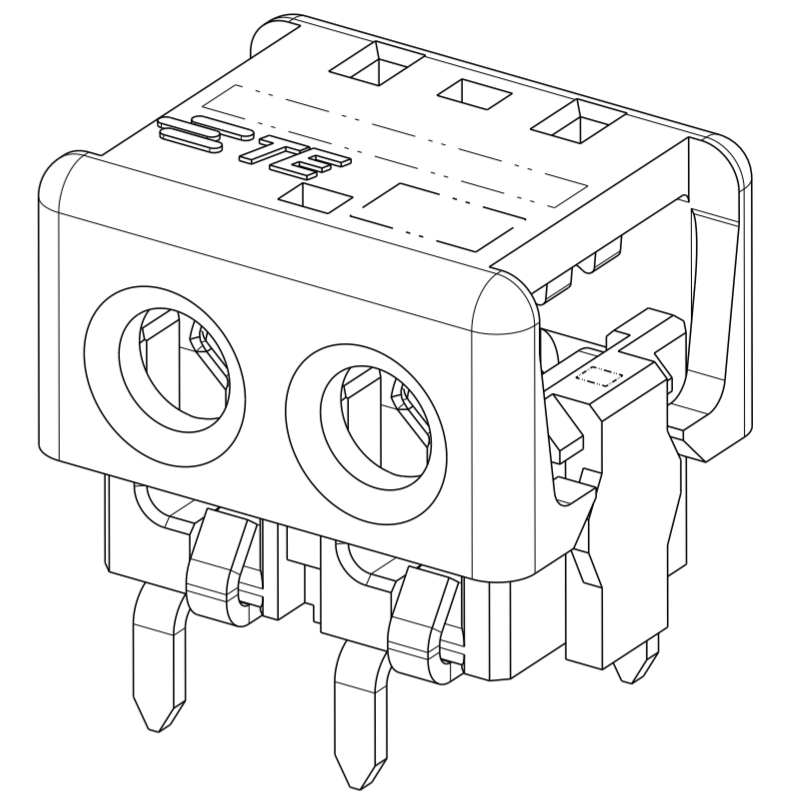


FOR 2, 3 AND 4 POSITIONS

2 POSITION SHOWN AS SHIPPED



2 POSITION SHOWN CLOSED SCALE 8:1



1. MATERIALS AND FINISH:  
 - HOUSING: LCP, COLOR: NATURAL  
 - CONTACTS: COPPER ALLOY, FINISH: Sn OVER Ni

2. COMPLY WITH DIRECTIVE 2002/95/EC (ROHS)

3. 18-24AWG SOLID OR STRANDED WIRE.  
 PLEASE REFER TO APPLICATION SPEC 114-13266 FOR RECOMMENDED STRAND COUNT.  
 18 AWG MAX INSULATION OD: 2.20  
 20 AWG MAX INSULATION OD: 1.90  
 22 AWG MAX INSULATION OD: 1.70  
 24 AWG MAX INSULATION OD: 1.45

4. PACKAGE IN TAPE AND REEL PER EIA-481 SPECIFICATION

5. WIRE SIZE MARKING IN APPROXIMATE LOCATION SHOWN.  
 6. COLOR CODE MARKING, STRAIGHT LINE.  
 7. ONE POSITION ASSEMBLY DOES NOT COMPLY WITH EIA 481 SPECIFICATION.

RED	17.70	24 AWG	4	3-2106489-4
	13.70	24 AWG	3	3-2106489-3
	9.70	24 AWG	2	3-2106489-2
	5.70	24 AWG	1	7 3-2106489-1
GREEN	17.70	22 AWG	4	2-2106489-4
	13.70	22 AWG	3	2-2106489-3
	9.70	22 AWG	2	2-2106489-2
BLUE	17.70	20 AWG	4	1-2106489-4
	13.70	20 AWG	3	1-2106489-3
	9.70	20 AWG	2	1-2106489-2
	5.70	20 AWG	1	7 1-2106489-1
YELLOW	17.70	18 AWG	4	2106489-4
	13.70	18 AWG	3	2106489-3
	9.70	18 AWG	2	2106489-2
	5.70	18 AWG	1	7 2106489-1
COLOR CODE	DIM D	WIRE SIZE	POSN	PART NUMBER

THIS DRAWING IS A CONTROLLED DOCUMENT. DWN: C DAILY 11JUN2009  
 CHK: O OSAGIE 11JUN2009

**STE** TE Connectivity

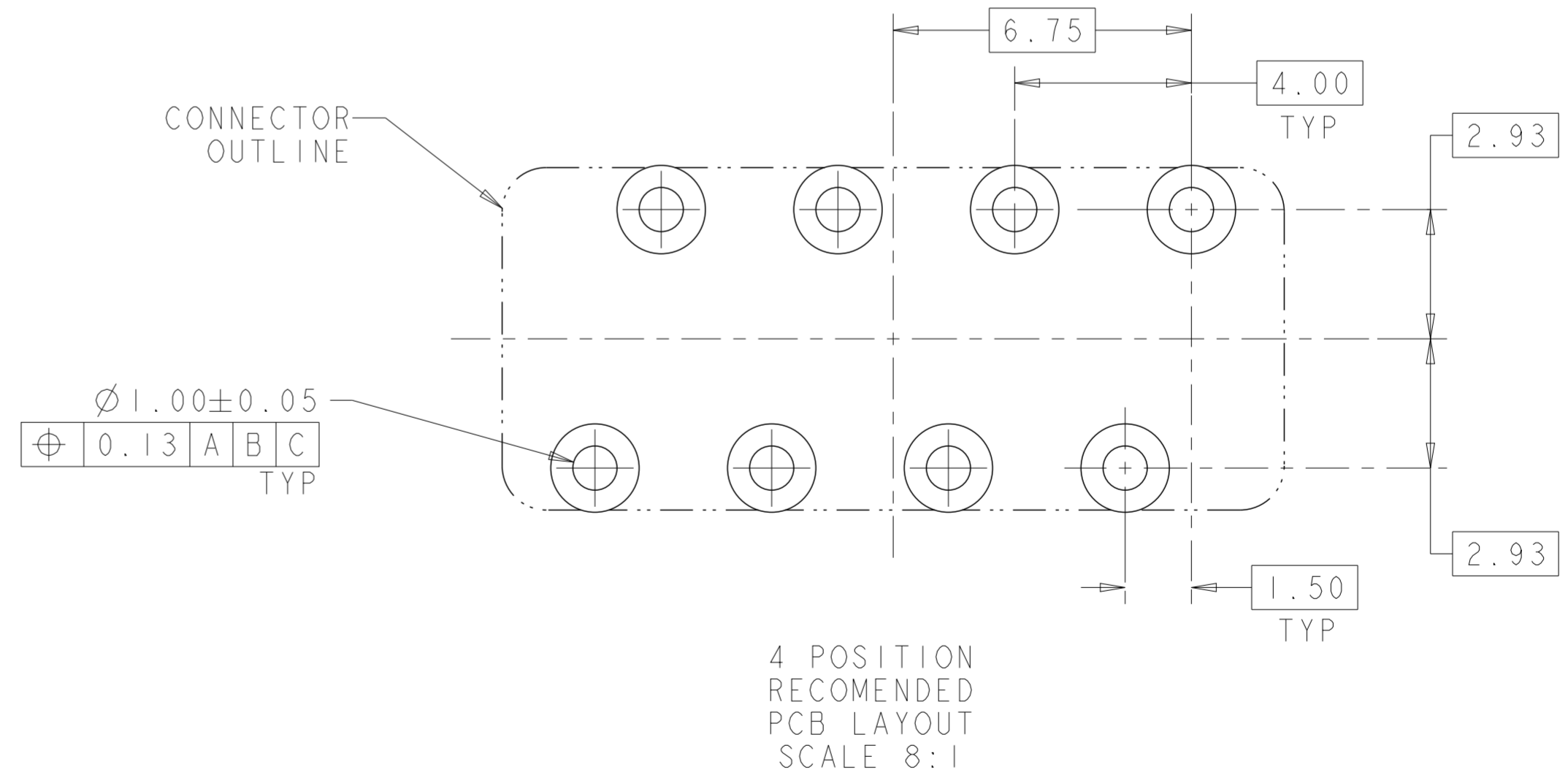
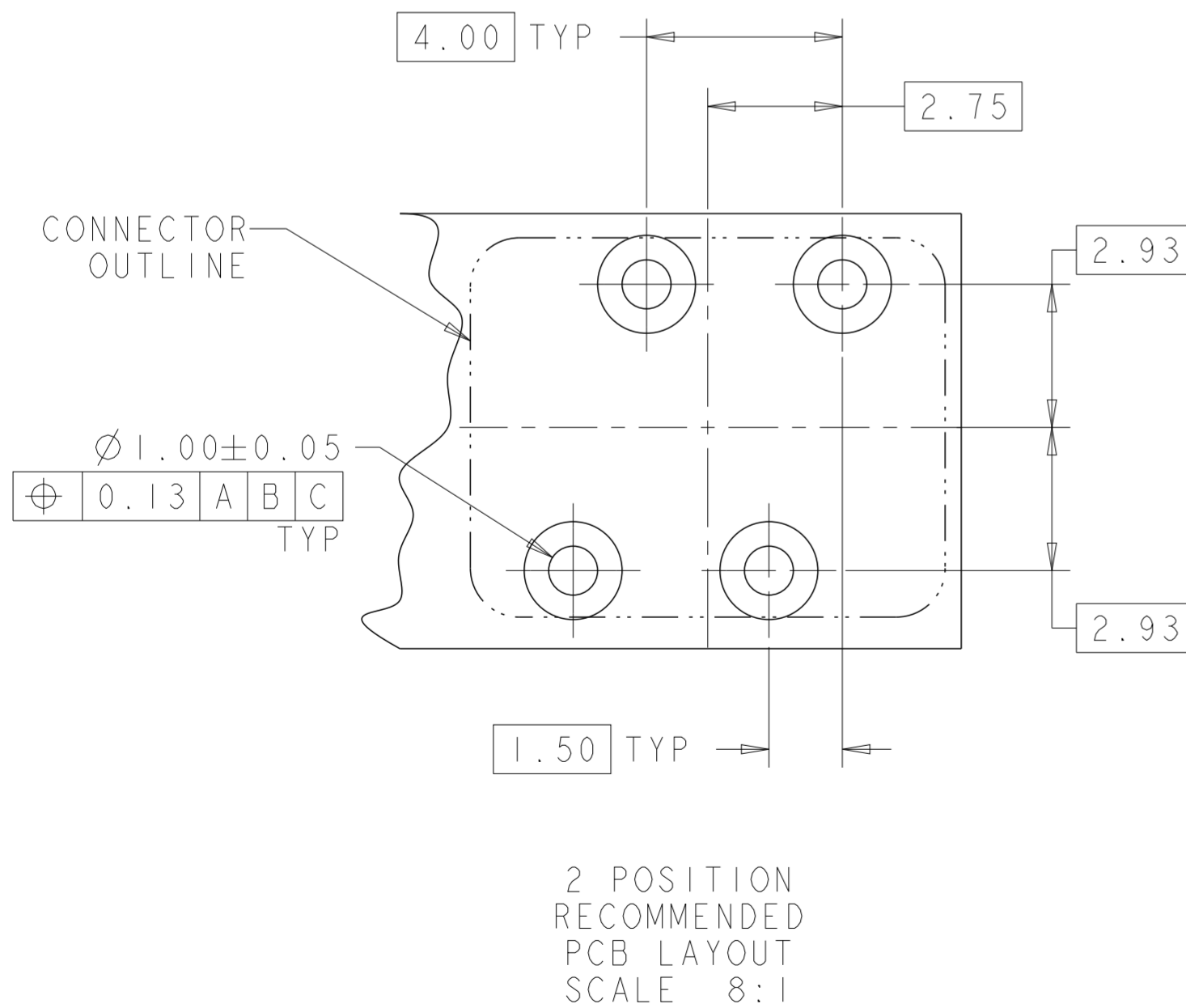
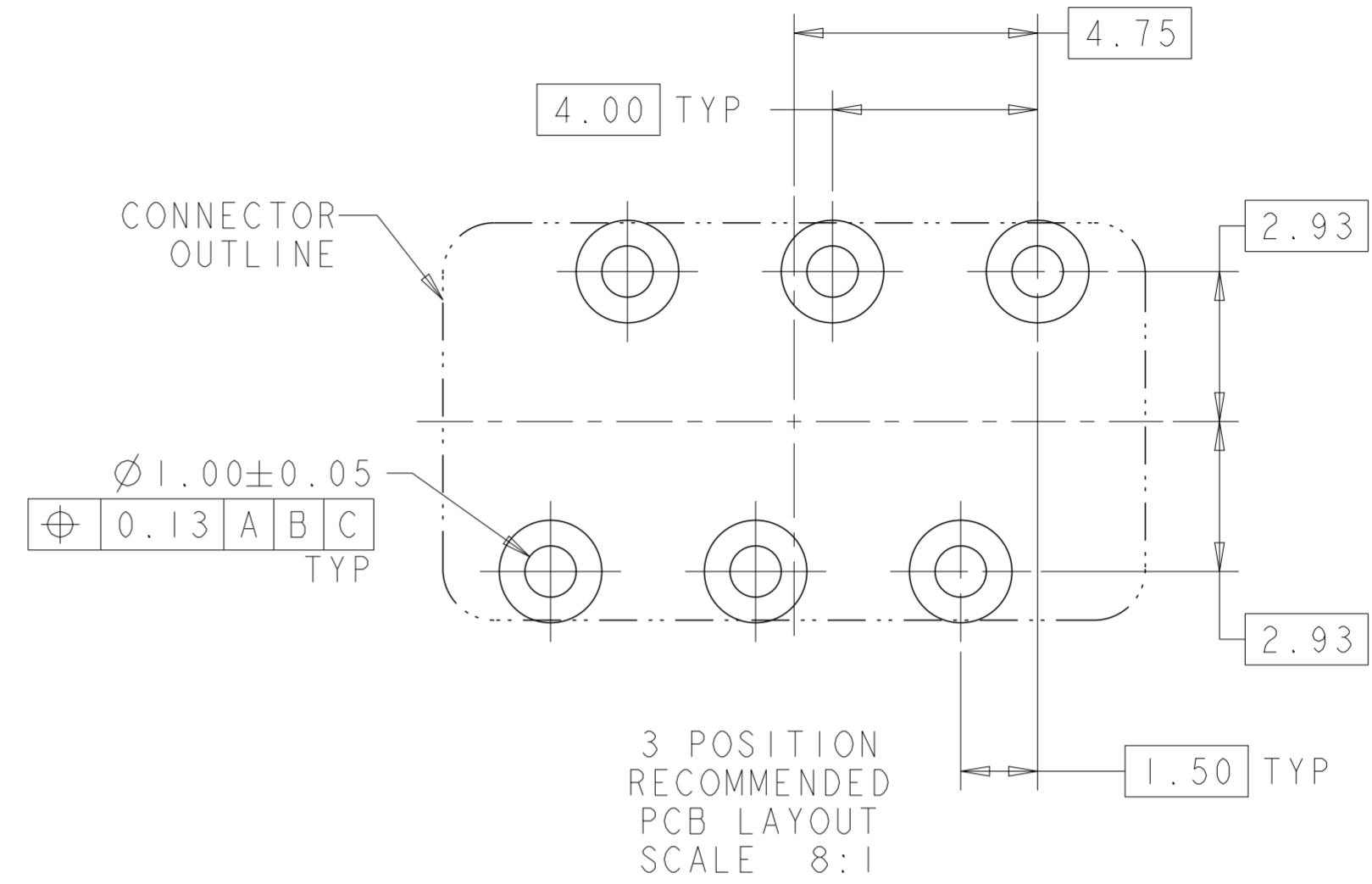
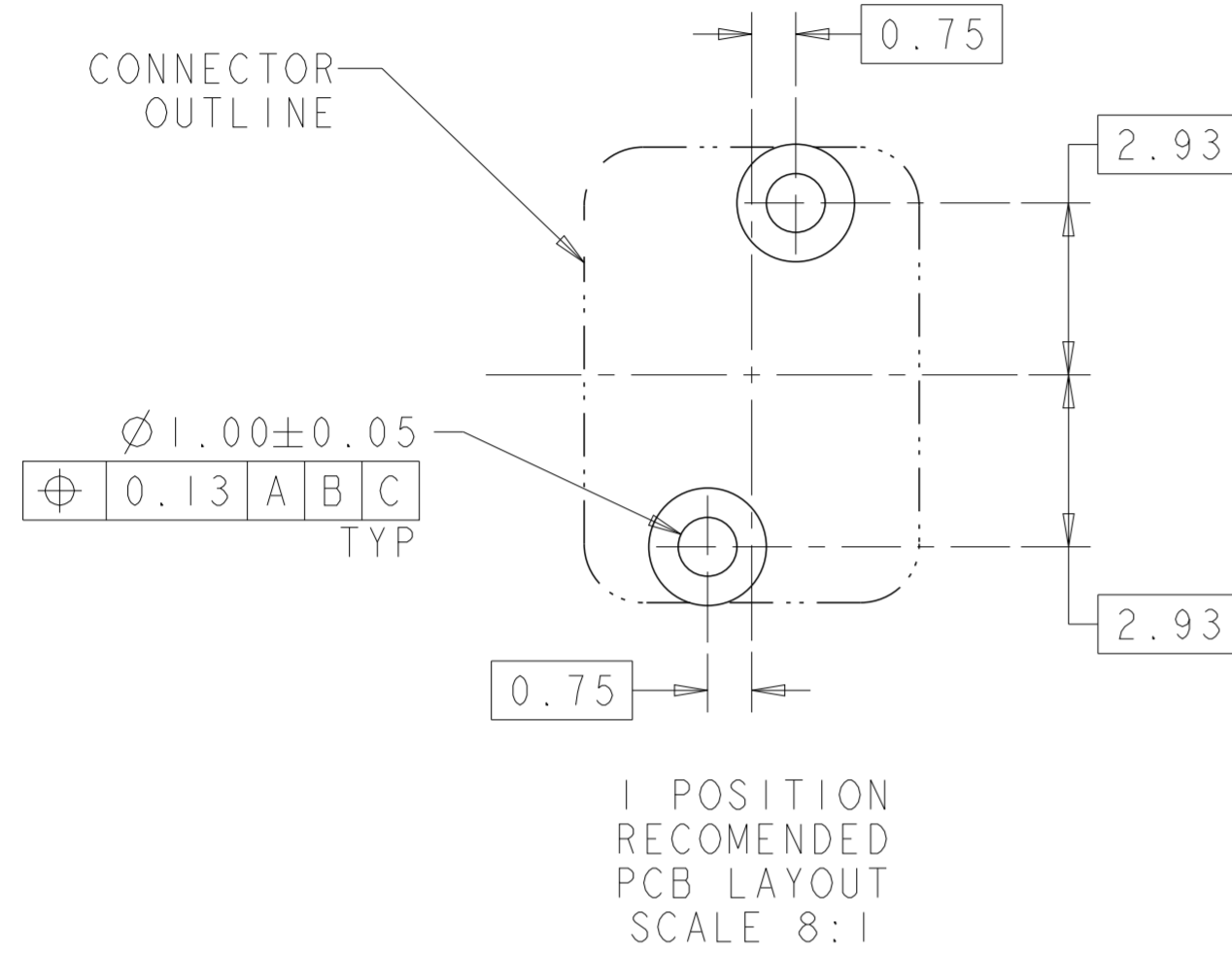
ASSEMBLY, IDC SSL CONNECTOR, THROUGH HOLE, CLOSED END

108-2404  
 APPLICATION SPEC 114-13266

SIZE: A2 CAGE CODE: 00779 DRAWING NO: C-2106489

Customer Drawing SCALE: 8:1 SHEET 1 OF 3 REV C

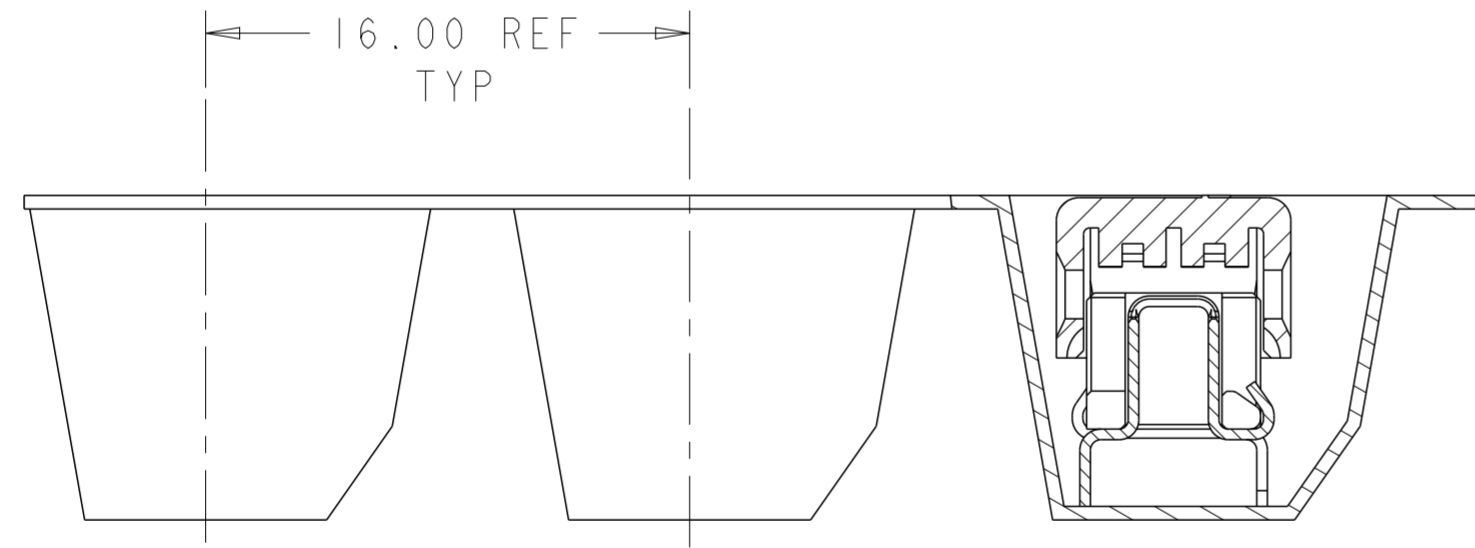
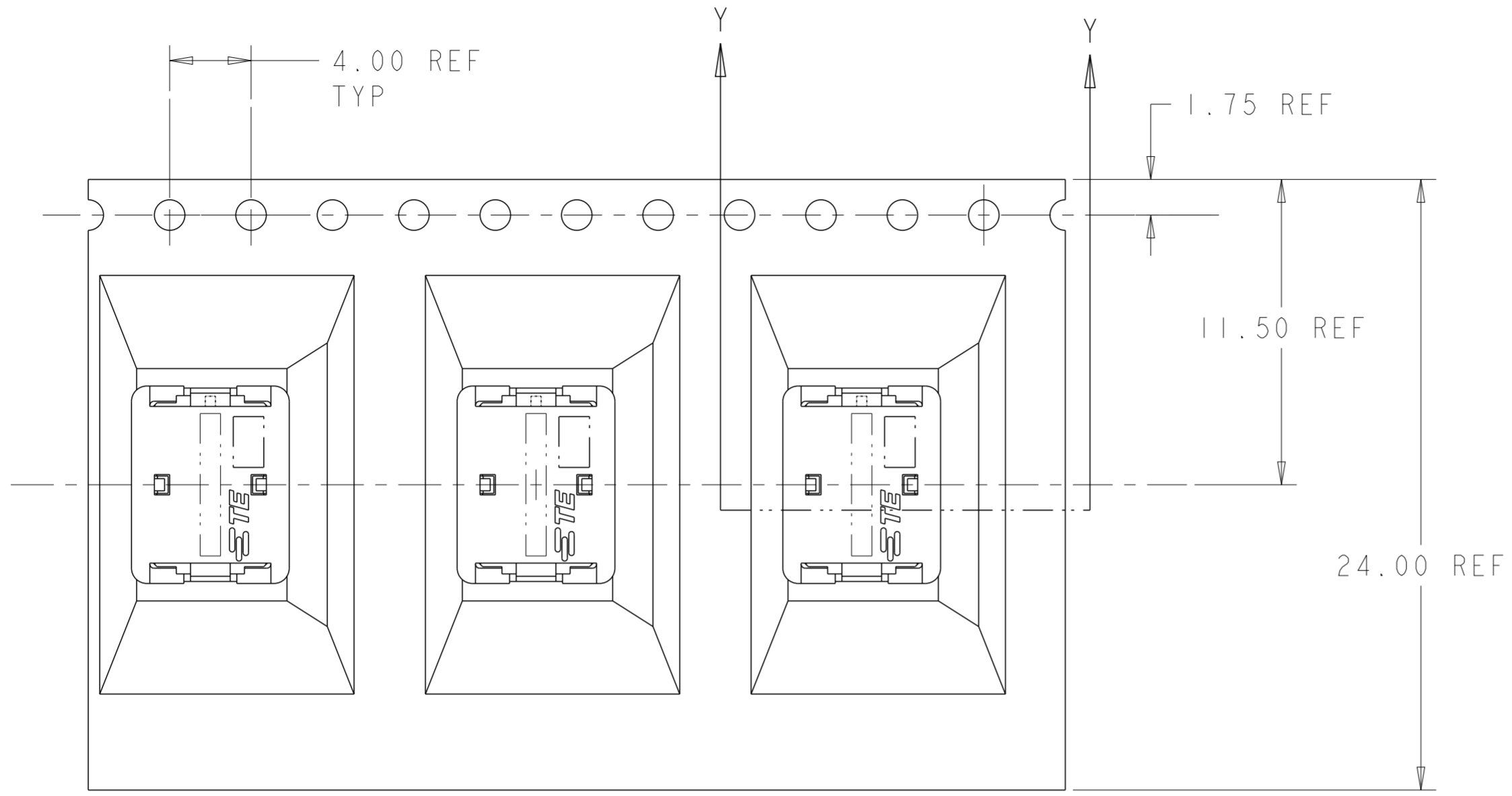
LOC		DIST		REVISIONS			
P	LTR	DESCRIPTION		DATE	DWN	APVD	
-	-	SEE SHEET 1		-	-	-	



THIS DRAWING IS A CONTROLLED DOCUMENT.		DWN C DAILY 11 JUN 2009	<b>STE</b> TE Connectivity	
		CHK O QSAGIE 11 JUN 2009		
DIMENSIONS:	TOLERANCES UNLESS OTHERWISE SPECIFIED:	APVD -	NAME ASSEMBLY, IDC SSL CONNECTOR, THROUGH HOLE, CLOSED END	
mm	0 PLC ± 1 PLC ±0.5 2 PLC ±0.13 3 PLC ± 4 PLC ±	PRODUCT SPEC 108-2404	SIZE A2	CAGE CODE 00779
MATERIAL	FINISH	APPLICATION SPEC 114-13266	DRAWING NO C-2106489	RESTRICTED TO -
material_2	finish_spec_2	WEIGHT -	SCALE 8:1	SHEET 1 OF 3
Customer Drawing			REV C	

THIS DRAWING IS UNPUBLISHED. RELEASED FOR PUBLICATION 20  
 © COPYRIGHT 20 BY - ALL RIGHTS RESERVED.

LOC		DIST		REVISIONS			
P	LTR	DESCRIPTION		DATE	DWN	APVD	
-	-	SEE SHEET 1		-	-	-	



SECTION Y-Y

2106489-2 SHOWN IN POCKET TAPE

THIS DRAWING IS A CONTROLLED DOCUMENT.		DWN C DAILY 11 JUN 2009	TE Connectivity	
		CHK O QSAGIE 11 JUN 2009		
DIMENSIONS:	TOLERANCES UNLESS OTHERWISE SPECIFIED:	APVD -	NAME ASSEMBLY, IDC SSL CONNECTOR, THROUGH HOLE, CLOSED END	
mm	0 PLC ± 1 PLC ±0.5 2 PLC ±0.13 3 PLC ± 4 PLC ±	PRODUCT SPEC 108-2404	SIZE A200779	
MATERIAL	FINISH	APPLICATION SPEC 114-13266	DRAWING NO C-2106489	RESTRICTED TO -
material_2	finish_spec_2	WEIGHT -	SCALE 8:1	SHEET 1 OF 3
Customer Drawing			REV C	

## X-ON Electronics

Largest Supplier of Electrical and Electronic Components

*Click to view similar products for [Lighting Connectors](#) category:*

*Click to view products by [TE Connectivity](#) manufacturer:*

Other Similar products are found below :

[293300-7](#) [293660-5](#) [CNX\\_H03\\_NTP](#) [30-9767-BU](#) [3605](#) [3-21030-1](#) [ZCH-110-RGB-I](#) [503471-0290](#) [ZCH-110-RGB-J](#) [217-0716-200](#)  
[1954563-1](#) [1-293657-2](#) [2834036-1](#) [2834037-1](#) [1-2213222-4](#) [2-2213222-4](#) [2213222-4](#) [2834122-3](#) [2834122-5](#) [2834135-2](#) [FLA-R4142-30](#)  
[FLA-R4162-30](#) [FLA-R2142-30](#) [FLA-R2141-30](#) [FLA-R2162-30](#) [FLA-R2161-30](#) [FLA-R0161-30](#) [FLA-R0141-30](#) [FLA-R0142-30](#) [FLA-](#)  
[R0162-30](#) [FLA-C00-00](#) [DGA00010553](#) [CNXV04NTP](#) [104128-0610](#) [503485-0000 \(Cut Strip\)](#) [503485-0000 \(Loose Piece\)](#) [503485-0000](#)  
[\(MINI Reel\)](#) [1-2834074-2](#) [1-2834074-3](#) [1357-AC PLUG W2C \(CHINA\)](#) [1357-AC PLUG W2 \(USA\)](#) [104266-0110](#) [CNXV02NTP](#) [2106212-1](#)  
[2-2834074-2](#) [104266-0210](#) [293470-1](#) [293651-2](#) [293651-4](#) [1-2834006-2](#)