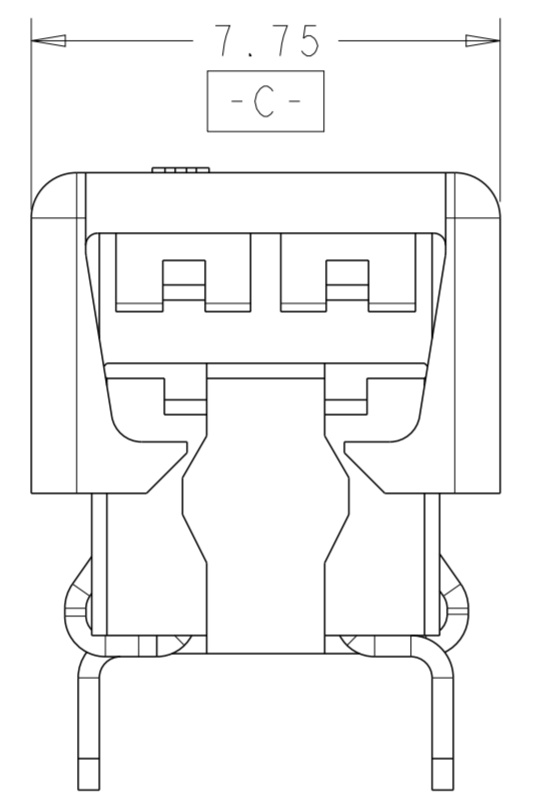


THIS DRAWING IS UNPUBLISHED. RELEASED FOR PUBLICATION 20  
 © COPYRIGHT 20 BY - ALL RIGHTS RESERVED.

LOC		DIST		REVISIONS			
P	LTR	DESCRIPTION		DATE	DWN	APVD	
	CM	00					
	A1			REVISD PER ECR-12-003555	19APR2012	RS DD	
	A2			REVISD PER ECR-12-016877	20OCT2012	RS DD	
	B			REVISD PER ECR-15-004054	28JUL2015	RS DD	
	C			REVISD PER ECR-15-017995	18DEC2015	RS DD	



FOR 1 POSITION ONLY

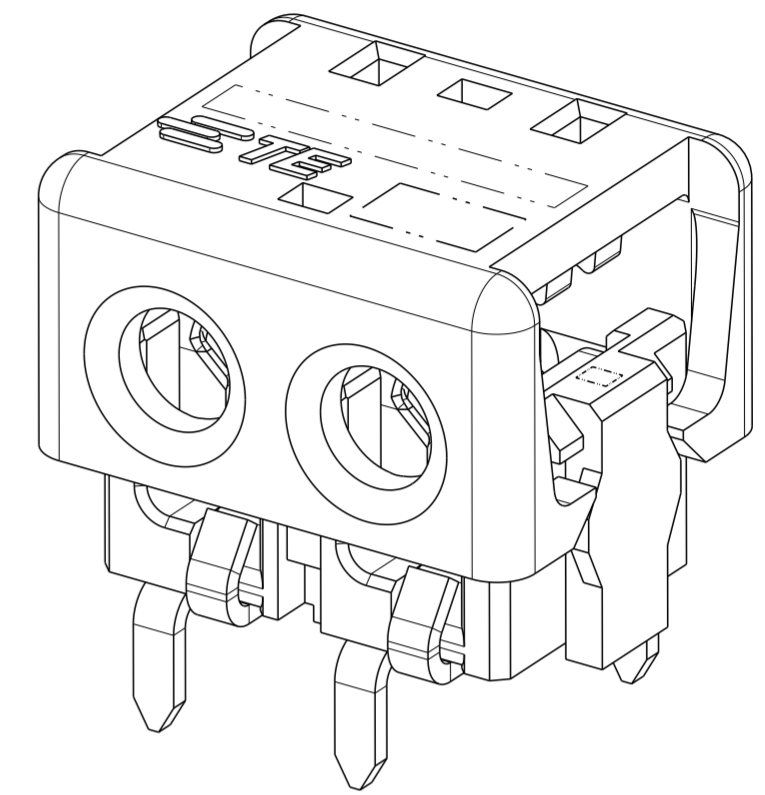


FOR 2, 3 AND 4 POSITIONS

2 POSITION SHOWN AS SHIPPED



2 POSITION SHOWN CLOSED SCALE 8:1



- 1 MATERIALS AND FINISH:
  - HOUSING: LCP, COLOR: NATURAL
  - CONTACTS: COPPER ALLOY, FINISH: Sn OVER Ni

- 2. COMPLY WITH DIRECTIVE 2002/95/EC (ROHS)
- 3. 18-24AWG SOLID OR STRANDED WIRE. PLEASE REFER TO APPLICATION SPEC 114-13266 FOR RECOMMENDED STRAND COUNT.
  - 18 AWG MAX INSULATION OD: 2.20
  - 20 AWG MAX INSULATION OD: 1.90
  - 22 AWG MAX INSULATION OD: 1.70
  - 24 AWG MAX INSULATION OD: 1.45
- 4. PACKAGE IN TAPE AND REEL PER EIA-481 SPECIFICATION

- 5 WIRE SIZE MARKING IN APPROXIMATE LOCATON SHOWN.
- 6 COLOR CODE MARKING, STRAIGHT LINE.
- 7 ONE POSITION ASSEMBLY DOES NOT COMPLY WITH EIA 481 SPECIFICATION.

RED	17.70	24 AWG	4	3-2106489-4
	13.70	24 AWG	3	3-2106489-3
	9.70	24 AWG	2	3-2106489-2
	5.70	24 AWG	1	7 3-2106489-1
GREEN	17.70	22 AWG	4	2-2106489-4
	13.70	22 AWG	3	2-2106489-3
	9.70	22 AWG	2	2-2106489-2
BLUE	5.70	22 AWG	1	7 2-2106489-1
	17.70	20 AWG	4	1-2106489-4
	13.70	20 AWG	3	1-2106489-3
	9.70	20 AWG	2	1-2106489-2
YELLOW	5.70	20 AWG	1	7 1-2106489-1
	17.70	18 AWG	4	2106489-4
	13.70	18 AWG	3	2106489-3
	9.70	18 AWG	2	2106489-2
COLOR CODE	DIM D	WIRE SIZE	POSN	PART NUMBER

THIS DRAWING IS A CONTROLLED DOCUMENT.

DWN: C DAILY 11JUN2009  
 CHK: O OSAGIE 11JUN2009

APVD: -

NAME: ASSEMBLY, IDC SSL CONNECTOR, THROUGH HOLE, CLOSED END

PRODUCT SPEC: 108-2404

APPLICATION SPEC: 114-13266

WEIGHT: -

Customer Drawing

SCALE: 8:1

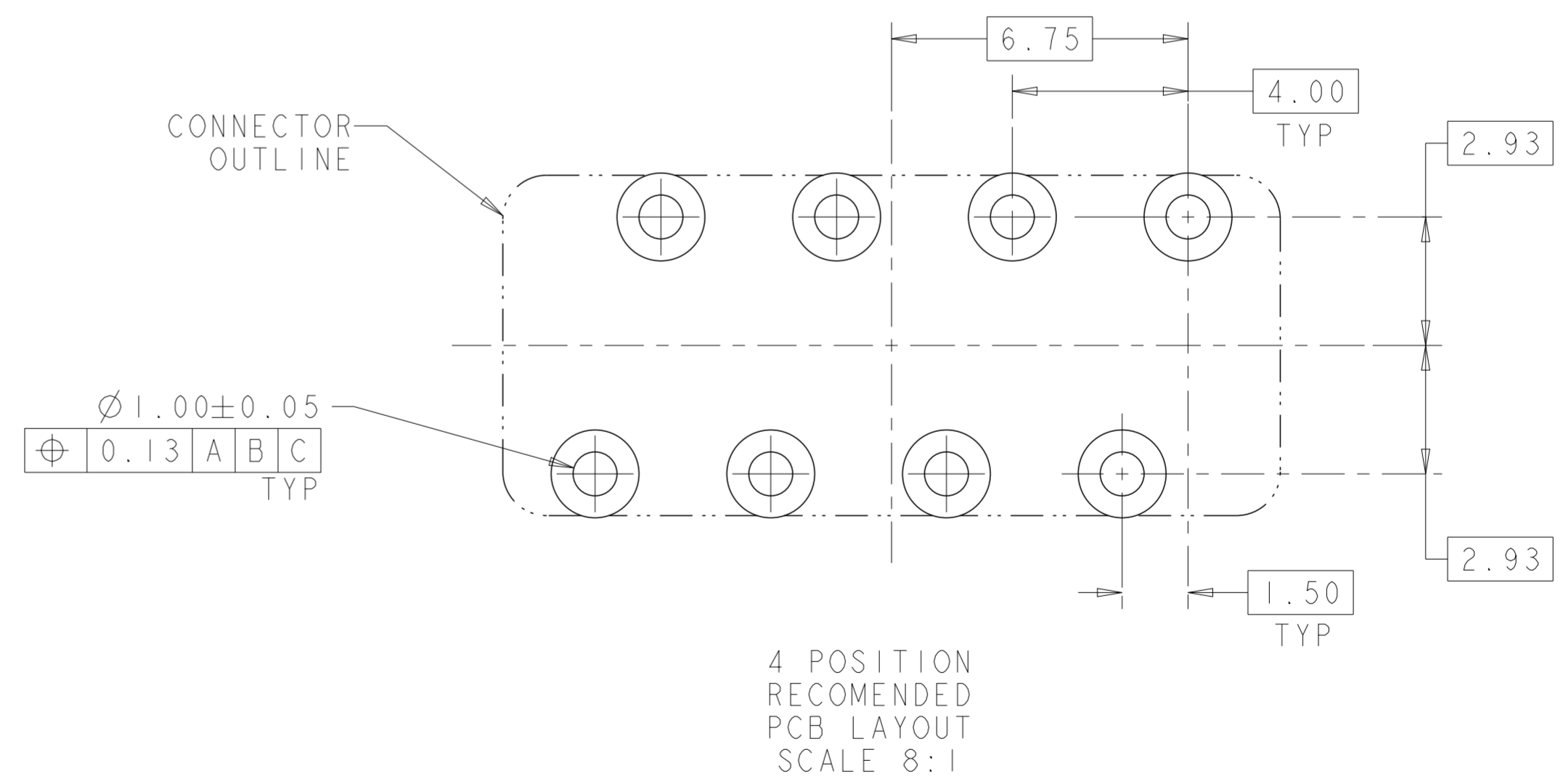
SHEET 1 OF 3

REV C

1471-9 (3/11)

THIS DRAWING IS UNPUBLISHED. RELEASED FOR PUBLICATION 20  
 © COPYRIGHT 20 BY - ALL RIGHTS RESERVED.

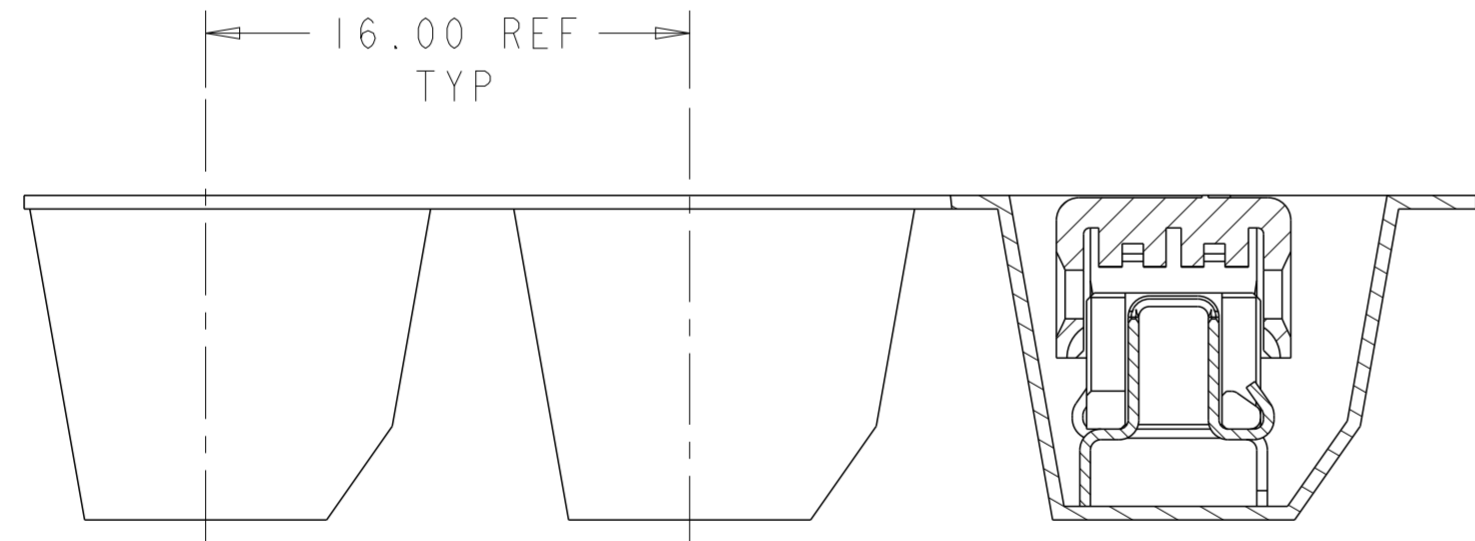
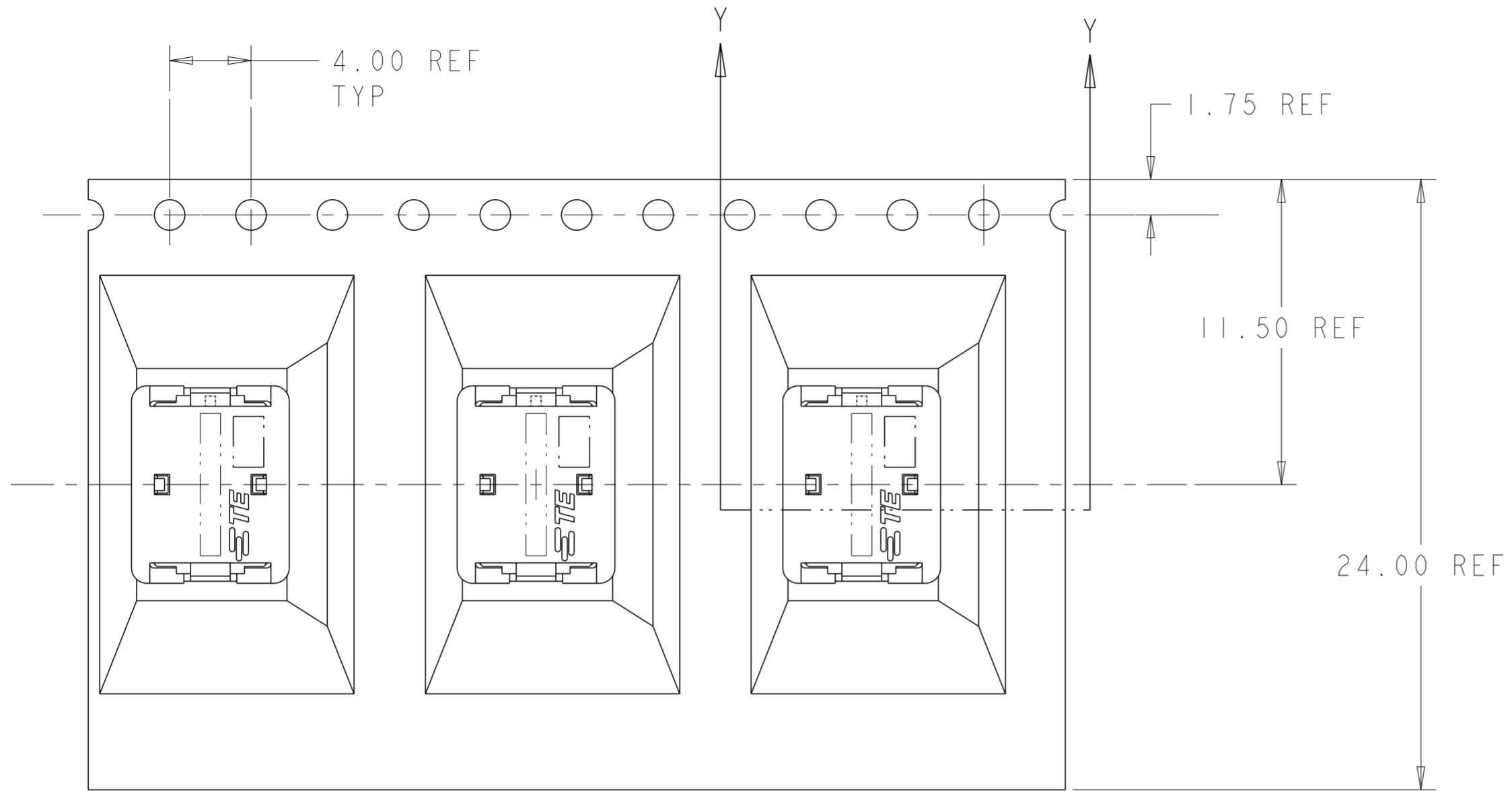
LOC		DIST		REVISIONS			
P	LTR	DESCRIPTION		DATE	DWN	APVD	
-	-	SEE SHEET 1		-	-	-	



THIS DRAWING IS A CONTROLLED DOCUMENT.		DWN C DAILY	11 JUN 2009	<b>STE</b> TE Connectivity															
		CHK O QSAGIE	11 JUN 2009																
DIMENSIONS: mm		TOLERANCES UNLESS OTHERWISE SPECIFIED:		NAME ASSEMBLY, IDC SSL CONNECTOR, THROUGH HOLE, CLOSED END															
<table border="1"> <tr> <td>0 PLC</td> <td>±</td> </tr> <tr> <td>1 PLC</td> <td>±0.5</td> </tr> <tr> <td>2 PLC</td> <td>±0.13</td> </tr> <tr> <td>3 PLC</td> <td>±</td> </tr> <tr> <td>4 PLC</td> <td>±</td> </tr> <tr> <td>ANGLES</td> <td>±</td> </tr> <tr> <td>FINISH</td> <td>±</td> </tr> </table>		0 PLC	±	1 PLC	±0.5	2 PLC	±0.13	3 PLC	±	4 PLC	±	ANGLES	±	FINISH	±	APVD -		PRODUCT SPEC 108-2404	
0 PLC	±																		
1 PLC	±0.5																		
2 PLC	±0.13																		
3 PLC	±																		
4 PLC	±																		
ANGLES	±																		
FINISH	±																		
MATERIAL material_2		FINISH finish_spec_2		APPLICATION SPEC 114-13266															
		WEIGHT -		SIZE A200779															
		Customer Drawing		DRAWING NO C-2106489															
		SCALE 8:1		RESTRICTED TO -															
		SHEET 1 OF 3		REV C															


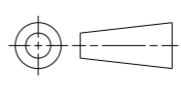
THIS DRAWING IS UNPUBLISHED. RELEASED FOR PUBLICATION 20  
 © COPYRIGHT 20 BY - ALL RIGHTS RESERVED.

LOC		DIST		REVISIONS			
P	LTR	DESCRIPTION		DATE	DWN	APVD	
-	-	SEE SHEET 1		-	-	-	



SECTION Y-Y

2106489-2 SHOWN IN POCKET TAPE

THIS DRAWING IS A CONTROLLED DOCUMENT.		DWN C DAILY 11 JUN 2009	 TE Connectivity	
		CHK O. OSAGIE 11 JUN 2009		
DIMENSIONS: mm		TOLERANCES UNLESS OTHERWISE SPECIFIED:		NAME ASSEMBLY, IDC SSL CONNECTOR, THROUGH HOLE, CLOSED END
		0 PLC ±	1 PLC ±0.5	PRODUCT SPEC 108-2404
MATERIAL material_2		2 PLC ±0.13	3 PLC ±	APPLICATION SPEC 114-13266
FINISH finish_spec_2		4 PLC ±	ANGLES ±	WEIGHT -
		Customer Drawing		SIZE A2
		SCALE 8:1		CAGE CODE 200779
		SHEET 1 OF 3		DRAWING NO C-2106489
		REV C		RESTRICTED TO -

## X-ON Electronics

Largest Supplier of Electrical and Electronic Components

*Click to view similar products for [Lighting Connectors](#) category:*

*Click to view products by [TE Connectivity](#) manufacturer:*

Other Similar products are found below :

[293300-7](#) [293660-5](#) [CNX\\_H03\\_NTP](#) [30-9767-BU](#) [3605](#) [3-21030-1](#) [ZCH-110-RGB-I](#) [503471-0290](#) [ZCH-110-RGB-J](#) [217-0716-200](#)  
[1954563-1](#) [1-293657-2](#) [2834036-1](#) [2834037-1](#) [1-2213222-4](#) [2-2213222-4](#) [2213222-4](#) [2834122-3](#) [2834122-5](#) [2834135-2](#) [FLA-R4142-30](#)  
[FLA-R4162-30](#) [FLA-R2142-30](#) [FLA-R2141-30](#) [FLA-R2162-30](#) [FLA-R2161-30](#) [FLA-R0161-30](#) [FLA-R0141-30](#) [FLA-R0142-30](#) [FLA-](#)  
[R0162-30](#) [FLA-C00-00](#) [DGA00010553](#) [CNXV04NTP](#) [104128-0610](#) [503485-0000 \(Cut Strip\)](#) [503485-0000 \(Loose Piece\)](#) [503485-0000](#)  
[\(MINI Reel\)](#) [1-2834074-2](#) [1-2834074-3](#) [1357-AC PLUG W2C \(CHINA\)](#) [1357-AC PLUG W2 \(USA\)](#) [104266-0110](#) [2106212-1](#) [2-2834074-2](#)  
[104266-0210](#) [293470-1](#) [293651-2](#) [293651-4](#) [1-2834006-2](#) [293651-1](#)