
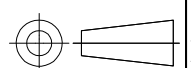


THIS DRAWING IS UNPUBLISHED. RELEASED FOR PUBLICATION
 © COPYRIGHT - By - ALL RIGHTS RESERVED.

LOC		DIST		REVISIONS			
P	LTR	DESCRIPTION	DATE	DWN	APVD		
	A	REVISED PER ECO-11-022043	11NOV11	KH	PO		

QTY	DESCRIPTION	ALCOSWITCH PART NUMBER	PART NUMBER
1	5A-125VAC/28VDC; 2A-250VAC, DPDT-ON/ON/ON, SHORT BAT TOGGLE, B TERMINALS WITH VERTICAL SUPPORT, GOLD CONTACTS	AE211MD1V30B04	2-1825143-7
1	5A-125VAC/28VDC; 2A-250VAC, DPDT-ON/(ON), LONG BAT TOGGLE, WIRE WRAP TERMINALS, GOLD CONTACTS	AE208SD1W4B04	2-1825143-5
1	5A-125VAC/28VDC; 2A-250VAC, DPDT-ON/OFF/(ON), LONG BAT TOGGLE, B TERMINALS RIGHT ANGLE, GOLD CONTACTS	AE207MD1AB04	2-1825143-4
1	5A-125VAC/28VDC; 2A-250VAC, DPDT-ON/OFF/ON, LONG BAT TOGGLE, B TERMINALS, GOLD CONTACTS	AE203SD1CB04	1-1825143-9
1	5A-125VAC/28VDC; 2A-250VAC, DPDT-ON/OFF/ON, LONG BAT TOGGLE, B TERMINALS VERTICAL RIGHT ANGLE, GOLD CONTACTS	AE203SD1AV2B04	1-1825143-7
1	5A-125VAC/28VDC; 2A-250VAC, DPDT-ON/OFF/ON, LONG BAT TOGGLE, B TERMINALS RIGHT ANGLE, GOLD CONTACTS	AE203SD1AB04	1-1825143-6
1	5A-125VAC/28VDC; 2A-250VAC, DPDT-ON/OFF/ON, SHORT BAT TOGGLE, B TERMINALS VERTICAL RIGHT ANGLE, GOLD CONTACTS	AE203MD1AV2B04	1-1825143-5
1	5A-125VAC/28VDC; 2A-250VAC OR 0.4VA-20VAC/DC, DPST-ON/ON, LONG BAT TOGGLE, B TERMINALS RIGHT ANGLE, GOLD OVER SILVER CONTACTS	AE201SD1AG04	1825143-8
1	5A-125VAC/28VDC; 2A-250VAC, SPST-ON/ON, LONG BAT TOGGLE, B TERMINALS, SILVER CONTACTS	AE101SD1CQ04	2-1825142-1
1	0.4VA-20VAC/DC, SPST-ON/ON, LONG BAT TOGGLE, B TERMINALS VERTICAL RIGHT ANGLE, GOLD CONTACTS	AE101SD1AV2B04	1-1825142-8
1	0.4VA-20VAC/DC, SPST-ON/ON, SHORT BAT TOGGLE, WIRE WRAP TERMINALS, GOLD CONTACTS	AE101MD1W4B04	1-1825142-3
1	5A-125VAC/28VDC; 2A-250VAC OR 0.4VA-20VAC/DC, SPST-ON/ON, SHORT BAT TOGGLE, B TERMINALS RIGHT ANGLE, GOLD OVER SILVER CONTACTS	AE101MD1AG04	1825142-2

THIS DRAWING IS A CONTROLLED DOCUMENT.		DWN KIRAN HOLAL 07NOV2011	 TE Connectivity SINGLE AND DOUBLE POLE AND THROW PRINTED CIRCUIT BOARD AND WIRE LUG TERMINALS SEALED GEMINI KIT		
DIMENSIONS: mm		CHK OTT, PETER			NAME
		APVD OTT, PETER			PRODUCT SPEC
TOLERANCES UNLESS OTHERWISE SPECIFIED: 0 PLC ± - 1 PLC ± - 2 PLC ± - 3 PLC ± - 4 PLC ± - ANGLES ± -		APPLICATION SPEC			SIZE
MATERIAL		WEIGHT	CAGE CODE	DRAWING NO	RESTRICTED TO
			A300779	C-1-2110843-0	
CUSTOMER DRAWING			SCALE	SHEET	REV
			1:1	1 OF 1	A

X-ON Electronics

Largest Supplier of Electrical and Electronic Components

Click to view similar products for [Toggle Switches](#) category:

Click to view products by [TE Connectivity](#) manufacturer:

Other Similar products are found below :

[8928K478](#) [8A1-C-222](#) [020017-13](#) [60012L](#) [6006L](#) [CS115W](#) [CS120W](#) [6663](#) [7101SPDV30BE](#) [7103SDV30BE](#) [7105D](#) [7108P3YAV2BE](#)
[71YY50282](#) [7300K36](#) [7301K38](#) [7306K36](#) [7310K36](#) [7506K4](#) [7592K6](#) [7660K12](#) [7691K14](#) [7700K1](#) [8391K108](#) [8396K108](#) [8811K17](#)
[8824K14](#) [8828K13](#) [8835K3](#) [8858K44](#) [PS83-121G](#) [1-1825192-0](#) [A201SCWZB04](#) [A207SYCB04](#) [A208J61ZQ0004](#) [A221T1TCQ](#)
[A323S1CWZQ](#) [A423S1CWZG-M8](#) [1201W](#) [12156AX408](#) [12147AGKX679](#) [12246X778](#) [12TW49-3D](#) [130312](#) [13037L](#) [13001X](#)
[AE101MD1W4B04](#) [AE208SD1W4B04](#) [MS24659-22D](#) [MS27407-5](#) [1520230-9](#)