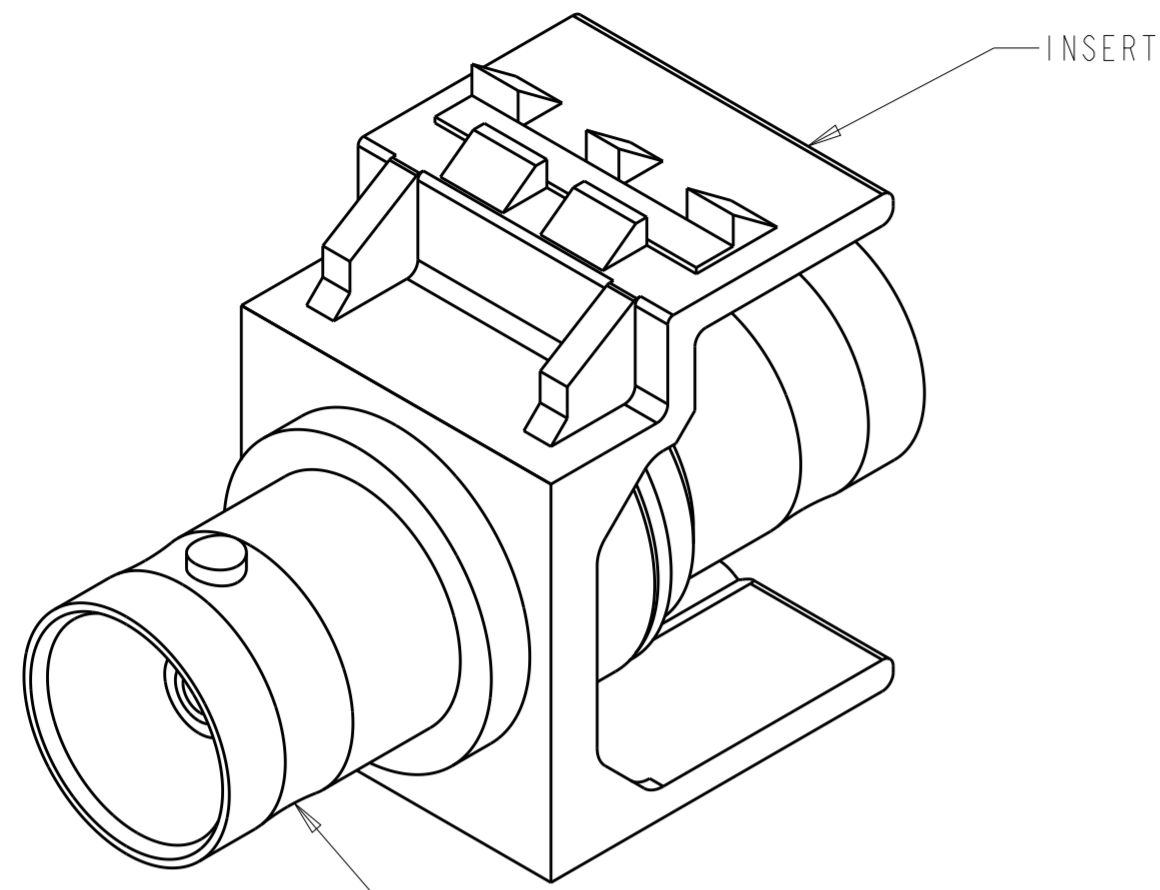
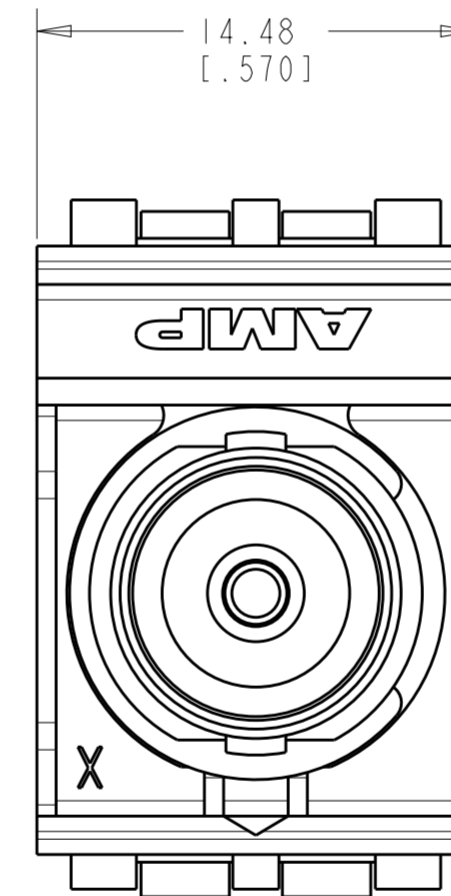
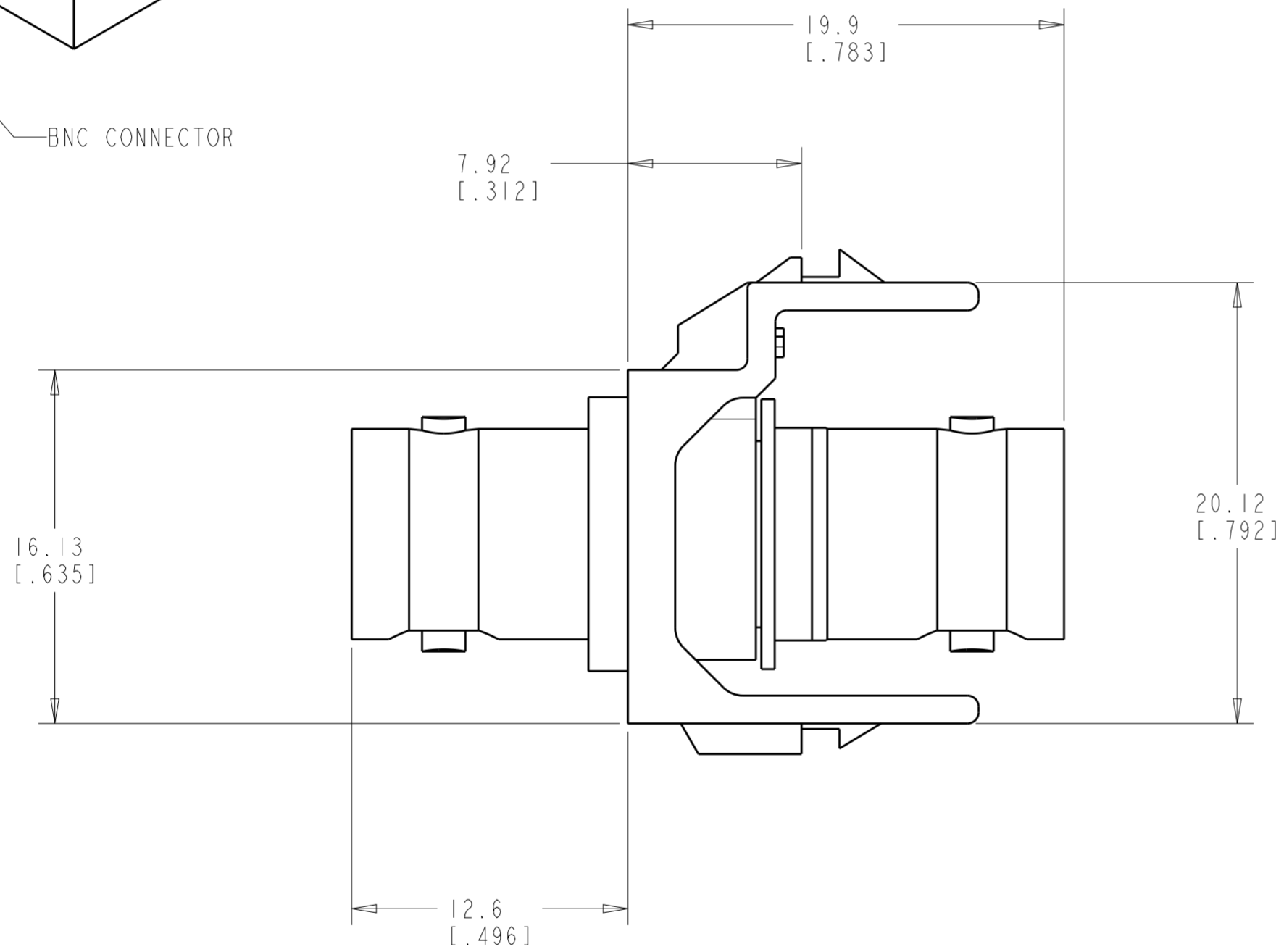


THIS DRAWING IS UNPUBLISHED. RELEASED FOR PUBLICATION
 © COPYRIGHT 20 BY - ALL RIGHTS RESERVED.

LOC	DIST	REVISIONS					
HM	00	P	LTR	DESCRIPTION	DATE	DWN	APVD
		A		RLSD; ECO-12-021107	03DEC2012	GG	RA



MATERIAL:
 INSERT: POLYCARBONATE MOLDING COMPOUND. SEE TABLE FOR COLOR.
 BNC BARREL: BRASS, PLATED WITH 1.77 um (70 uin) THICK NICKEL.
 INSULATOR: DERLIN, WHITE
 CONTACT PIN: BRASS, PLATED WITH 0.07 um (3 uin) THICK HARD GOLD OVER 1.77 um (70 uin) THICK NICKEL UNDERPLATE.
 LOCK RING: BRASS, PLATED WITH 1.77 um (70 uin) THICK NICKEL.
 C RING: STEEL S50C, HRC44-52 BLACKFAST.
ELECTRICAL:
 VOLTAGE RATING: AC 500V
 WITHSTANDING VOLTAGE: AC 1,500V ONE MINUTE.
 INSULATION RESISTANCE: 1,000MΩ MIN AT DC 500V
 CONTACT RESISTANCE: 3M Ω MAX AT DC 1A
 FREQUENCY RANGE: 0-4 GHz
 VSWR: 1.3MAX 0-1 GHz
 IMPEDANCE: 75Ω VERSIONS



ALPINE WHITE	1-2111615-3
BLACK	2111615-2
LT ALMOND	2111615-1
COLOR	PART NO

THIS DRAWING IS A CONTROLLED DOCUMENT.		DWN G. GARRETT 18OCT2012	STE TE Connectivity	
DIMENSIONS: mm (INCHES)		CHK R. ASHBY 18OCT2012		
TOLERANCES UNLESS OTHERWISE SPECIFIED:		APVD R. ASHBY 18OCT2012	NAME KIT, BNC INSERT	
0 PLC ±		PRODUCT SPEC	SL SERIES	
1 PLC ±		APPLICATION SPEC	SIZE	CAGE CODE
2 PLC ±.13 [.005]		WEIGHT	A2	00779
3 PLC ±		Customer Drawing	DRAWING NO C-2111615	
4 PLC ±			SCALE	SHEET
ANGLES ±			4:1	1 OF 1
FINISH				REV A

X-ON Electronics

Largest Supplier of Electrical and Electronic Components

Click to view similar products for [Hand Tools](#) category:

Click to view products by [TE Connectivity](#) manufacturer:

Other Similar products are found below :

[568681-1](#) [576786-2](#) [58061-1](#) [58176-1](#) [58177-1](#) [58177-2](#) [58284-1](#) [59085](#) [0031](#) [59737-5](#) [015-0339-000](#) [015-8755-001](#) [600-146-06](#) [M15570-25](#) [62200-5709](#) [6-304052-1](#) [63443-1002](#) [63443-3513](#) [63443-4025](#) [63443-7114](#) [6-354778-5](#) [6-354779-2](#) [63600-2995](#) [63810-0105](#) [M8196914-08](#) [662508-1](#) [662908-1](#) [679994-1](#) [679994-2](#) [68764-0001](#) [69001-0105](#) [69002-5525](#) [690124-7](#) [690191-1](#) [690191-4](#) [690518-2](#) [690696-1](#) [691409-4](#) [691667-1](#) [692006-2](#) [692655-7](#) [692776-1](#) [692776-4](#) [693077-3](#) [693077-4](#) [693597-1](#) [D20418-137](#) [D20419-189](#) [ET-LY10](#) [734041-1](#)