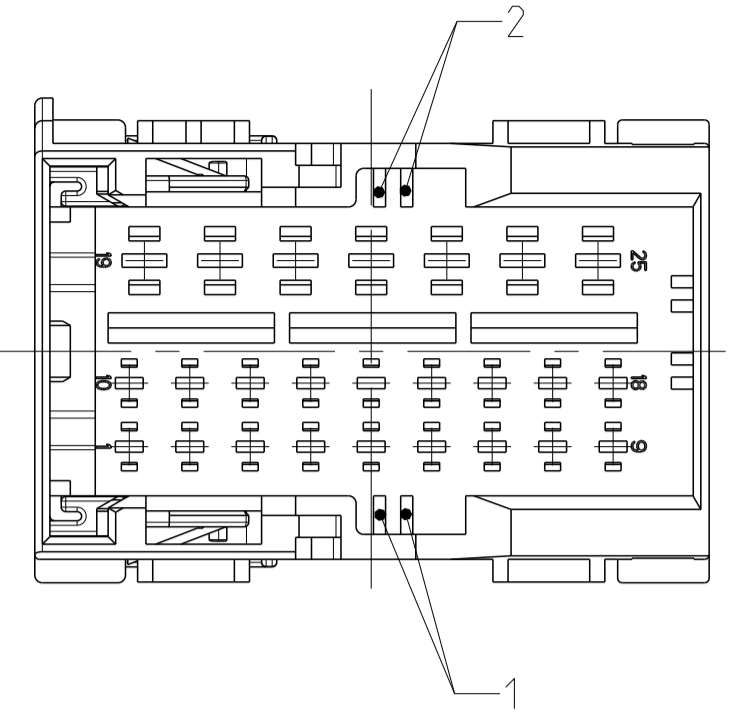
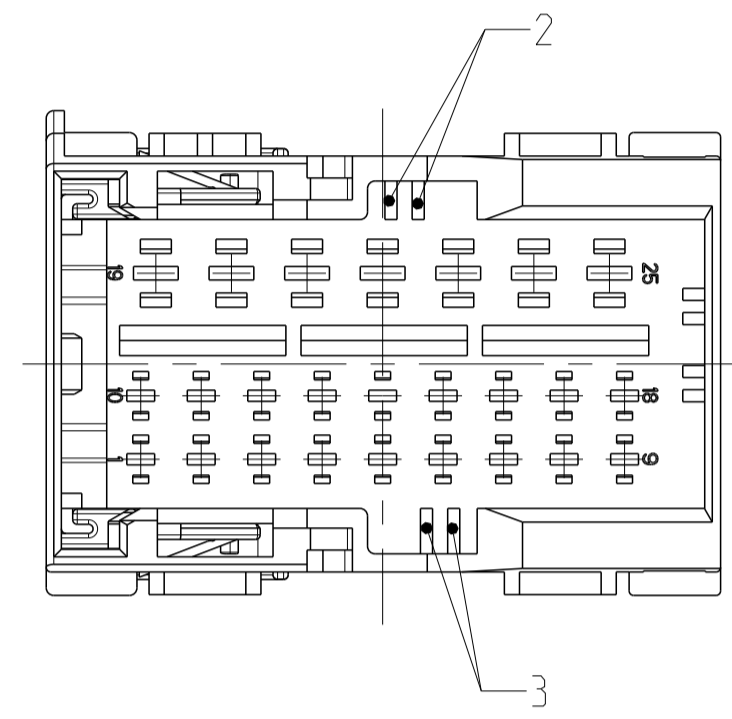


FUTHER CODING
 weitere Kodierung

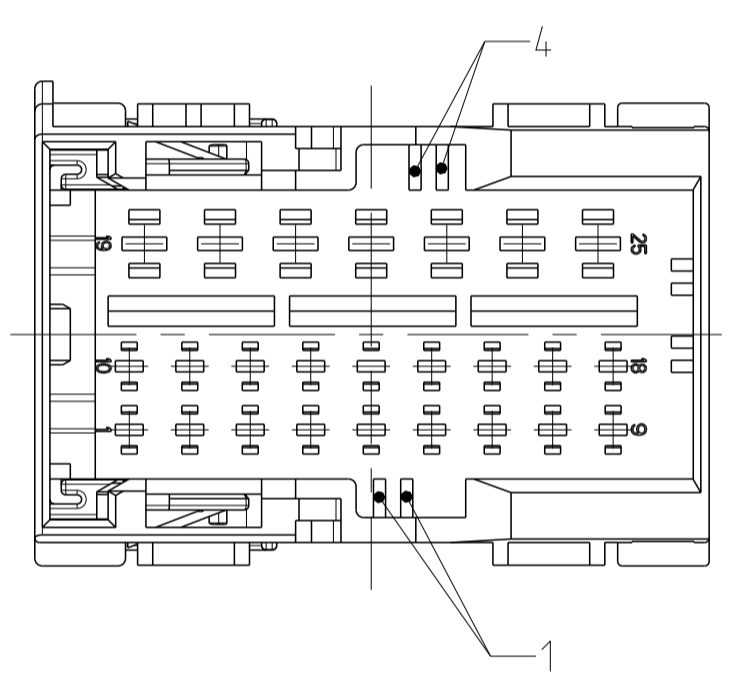
CODE B
 Kodierung



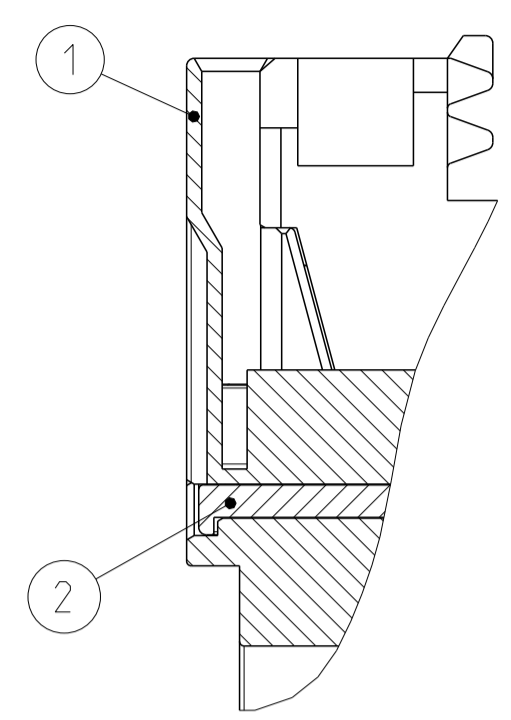
CODE C
 Kodierung



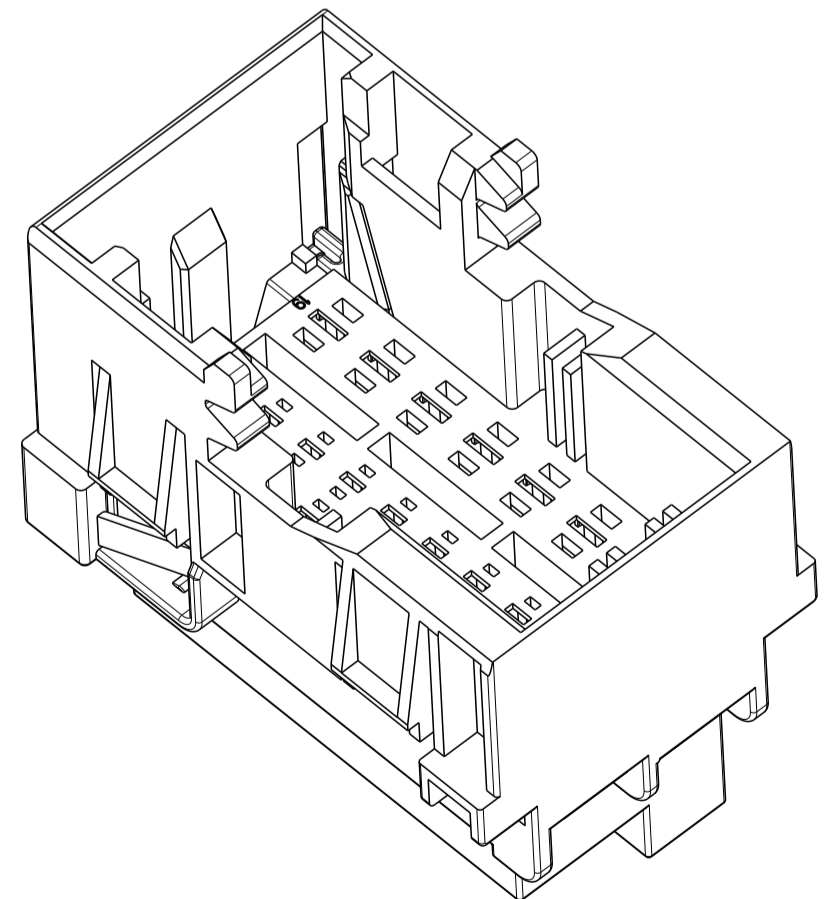
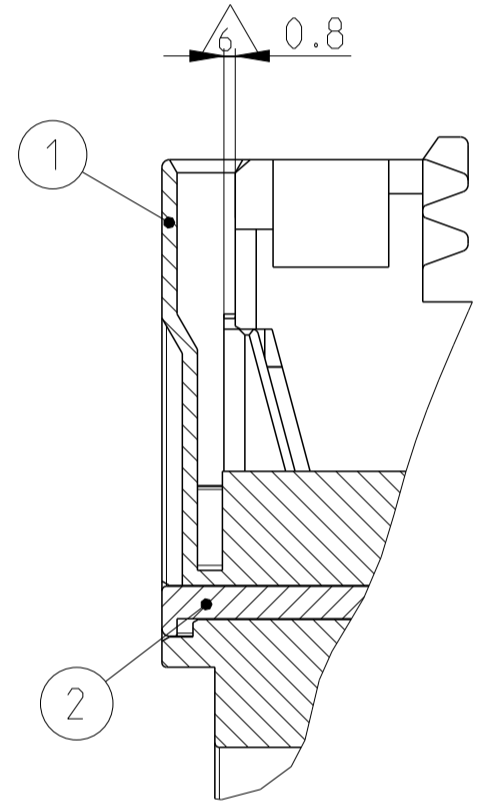
CODE D
 Kodierung



SECONDARY LOCKING IN LOCKED POSITION
 Zweite Kontaktsicherung in Endraststellung

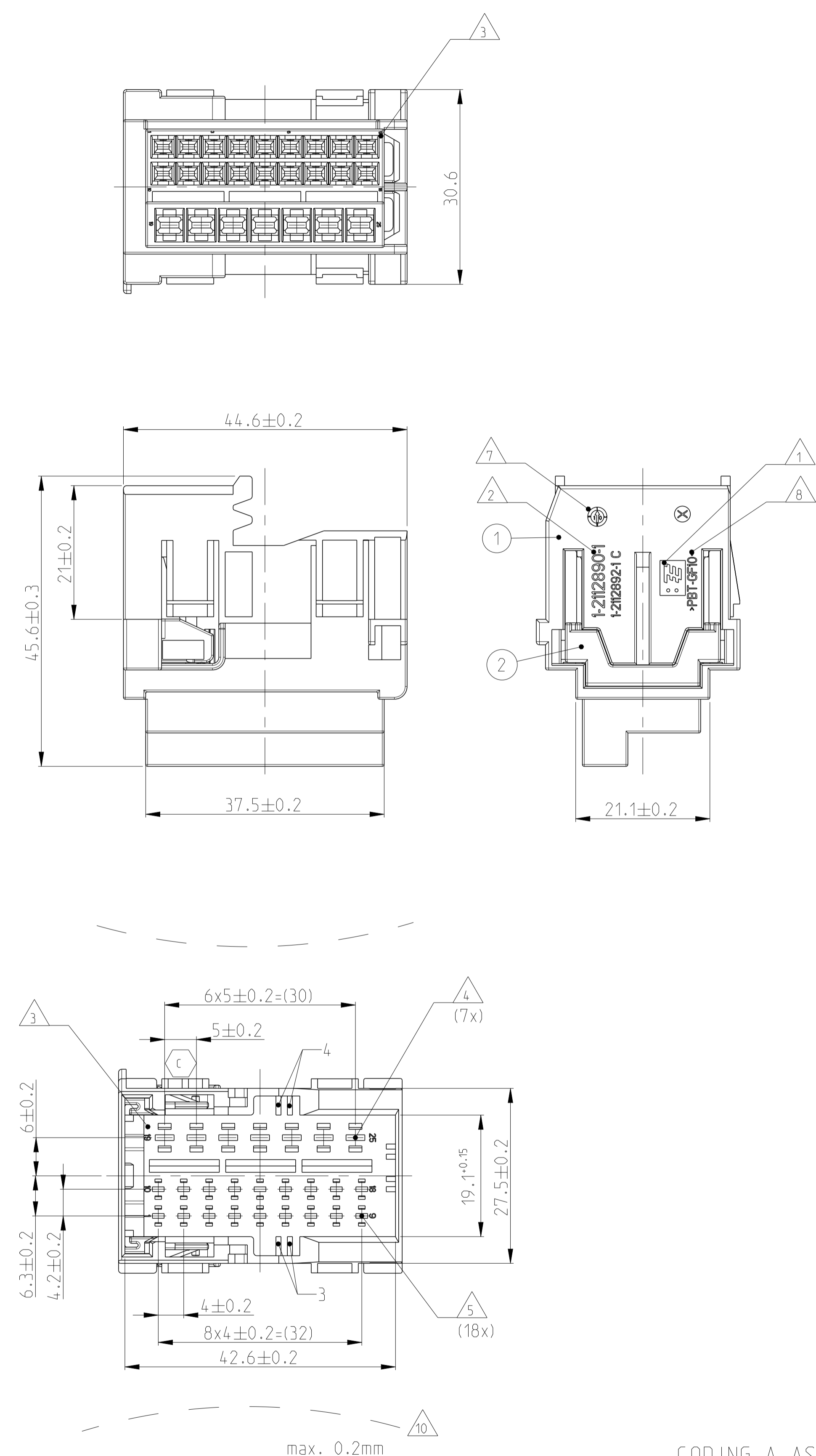


SECONDARY LOCKING IN PRE LOCKED POSITION
 Zweite Kontaktsicherung in Vorraststellung



DELIVERY CONDITION
 Lieferzustand

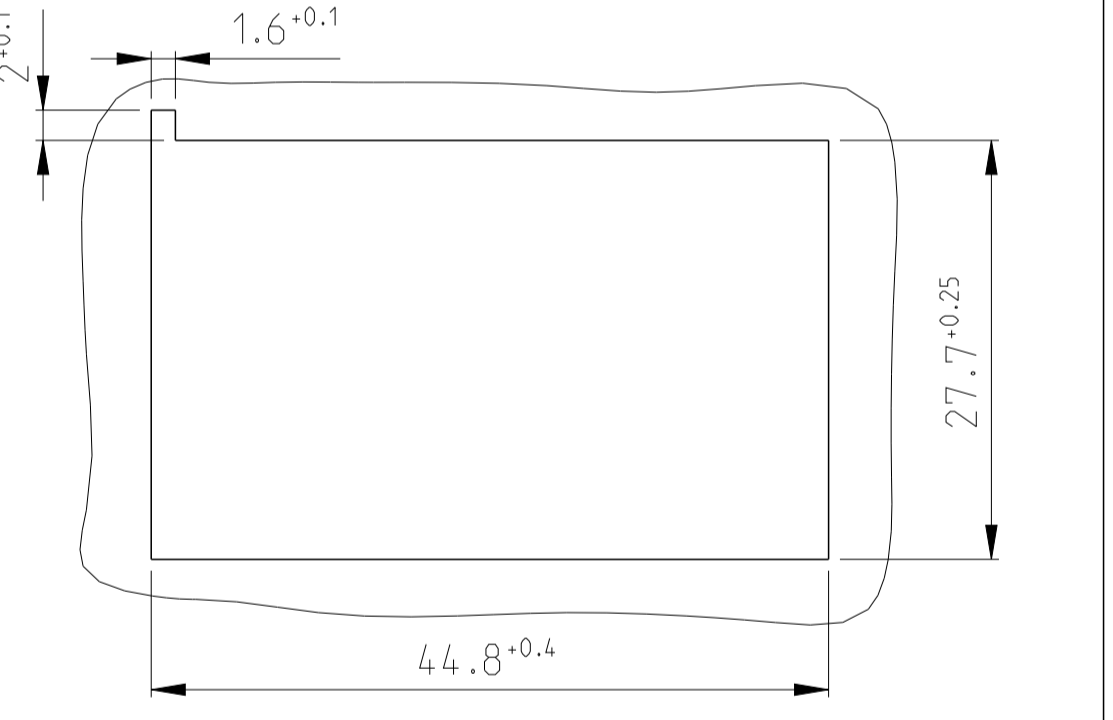
2nd LOCKING DEVICE IN PRE LOCKED POSITION
 2. Kontaktsicherung in Vorraststellung



LOC	DIST	REV	LTN	REVISIONS ÄNDERUNGEN	DATE	DWN	APVD
A1	-						
		A1		DRAWING CLARIFICATION	06SEP2010	NP	CE
		B		EXTENSION OF 2.8mm TAB CAVITY SEE PCN E-11-025266	13DEC2011	NP	FE
		B1		DRAWING CLARIFICATION SEE PCN E-13-007279	30APR2013	NP	FE
		C		GUIDING RIB ADDED SEE PCN E-13-018365	14JAN2014	NP	FE

NOTES
 Bemerkungen

- 1 TE LOGO
TE Logo
- 2 TE NUMBER
TE Number
- 3 CAVITY NUMBERING
Kammernumerierung
- 4 CAVITIES MATED WITH TAB 2.8 x 0.8 MM
SEE PRODUCT GROUP DRAWING
TE NO.: 1355052
MAX. WIRESIZE: 2.5MM² FLR
Kontaktkammern passend für Flachstecker 2.8 x 0.8 mm
siehe Produkt-Gruppenzeichnung
TE Nr.: 1355052
max. Drahtgr.Ø/Bereichen: 2.5mm² FLR
- 5 CAVITIES MATED WITH TAB 1.6 x 0.6 MM
SEE PRODUCT GROUP DRAWING
TE NO.: 1355055
MAX. WIRESIZE: 1.5MM² FLR
Kontaktkammern passend für Flachstecker 1.6 x 0.6 mm
siehe Produkt-Gruppenzeichnung
TE Nr.: 1355055
max. Drahtgr.Ø/Bereichen: 1.5mm² FLR
- 6 SLIDING DISTANCE OF SECONDARY LOCKING
Verschiebeweg der zweiten Kontaktsicherung
- 7 PRODUCTION DATE
Produktionsdatum
- 8 MATERIAL MARKING ACC. TO VDA 260
Werkstoffkennzeichnung nach VDA 260
- 9 MECHANICAL CODING
Mechanische Kodierung
- 10 WARPAGE TO . . . PERMITTED
Verzug zul. bis . . .
- 11 FITS TO TE CARRIER - AMP MCP1.5K/2.8 RECEPTACLE INSERTS, 18-7POS
CARRIER: 17184B4/2112890; INSERT 18POS: 17184B9; INSERT 7POS: 17184B8
Passend zu TE Tr-Ager - AMP MCP 1.5K/2.8 Buchseneinsätze, 18-7pol.
Tr-Ager: 17184B4/2112890, Einsatz 18pol.: 17184B9; Einsatz 7pol.: 17184B8
- 12 FITS TO INTERFACE:
Passend zu Ausfuehrungsvorschrift:
 - 12a FOR PLASTIC FRAME INTERFACE DRAWING 114-18327-1
Fuer Kunststoffrahmen Ausfuehrungsvorschrift 114-18327-1
 - 12b FOR METAL BRACKET
Fuer Metallhaelterung



CODING A AS SHOWN
 Kodierung A wie gezeigt

CODE Kodierung	TE ORDER-NO. TE Bestell-Nr.	REV.	QTY Anzahl	MAT.	COLOR Farbe	DESCRIPTION Beschreibung	REV.	ITEM
D	1-2112890-4	C	1	PBT-GF30	YELLOW gelb	SECONDARY LOCKING Zweite Kontaktsicherung	A	2
			1	PBT-GF10	YELLOW-GREEN gelbgruen	TAB HOUSING CODE D Stiftgehäusese-Kodierung D	C	1
C	1-2112890-3	C	1	PBT-GF30	YELLOW gelb	SECONDARY LOCKING zweite Kontaktsicherung	A	2
			1	PBT-GF10	LIGHT BLUE Lichtblau	TAB HOUSING CODE C Stiftgehäusese-Kodierung C	C	1
B	1-2112890-2	C	1	PBT-GF30	YELLOW gelb	SECONDARY LOCKING zweite Kontaktsicherung	A	2
			1	PBT-GF10	DUSTY GREY staubgrau	TAB HOUSING CODE B Stiftgehäusese-Kodierung B	C	1
A	1-2112890-1	C	1	PBT-GF30	YELLOW gelb	SECONDARY LOCKING zweite Kontaktsicherung	A	2
			1	PBT-GF10	BLACK schwarz	TAB HOUSING CODE A Stiftgehäusese-Kodierung A	C	1

DIMENSIONS MASSENHETEN		TOLERANCES UNLESS OTHERWISE SPECIFIED	
PLC	mm	PLC	mm
0	PLC	±	0.1
1	PLC	±	0.1
2	PLC	±	0.1
3	PLC	±	0.1
4	PLC	±	0.1
5	PLC	±	0.1
6	PLC	±	0.1
7	PLC	±	0.1
8	PLC	±	0.1
9	PLC	±	0.1
10	PLC	±	0.1

TE ORDER-NO.	REV.	QTY	MAT.	COLOR	DESCRIPTION	REV.	ITEM
1-2112890-4	C	1	PBT-GF30	YELLOW	SECONDARY LOCKING	A	2

TE ORDER-NO.	REV.	QTY	MAT.	COLOR	DESCRIPTION	REV.	ITEM
1-2112890-4	C	1	PBT-GF30	YELLOW	SECONDARY LOCKING	A	2

TE ORDER-NO.	REV.	QTY	MAT.	COLOR	DESCRIPTION	REV.	ITEM
1-2112890-4	C	1	PBT-GF30	YELLOW	SECONDARY LOCKING	A	2

TE ORDER-NO.	REV.	QTY	MAT.	COLOR	DESCRIPTION	REV.	ITEM
1-2112890-4	C	1	PBT-GF30	YELLOW	SECONDARY LOCKING	A	2

TE ORDER-NO.	REV.	QTY	MAT.	COLOR	DESCRIPTION	REV.	ITEM
1-2112890-4	C	1	PBT-GF30	YELLOW	SECONDARY LOCKING	A	2

TE ORDER-NO.	REV.	QTY	MAT.	COLOR	DESCRIPTION	REV.	ITEM
1-2112890-4	C	1	PBT-GF30	YELLOW	SECONDARY LOCKING	A	2

TE ORDER-NO.	REV.	QTY	MAT.	COLOR	DESCRIPTION	REV.	ITEM
1-2112890-4	C	1	PBT-GF30	YELLOW	SECONDARY LOCKING	A	2

TE ORDER-NO.	REV.	QTY	MAT.	COLOR	DESCRIPTION	REV.	ITEM
1-2112890-4	C	1	PBT-GF30	YELLOW	SECONDARY LOCKING	A	2

TE ORDER-NO.	REV.	QTY	MAT.	COLOR	DESCRIPTION	REV.	ITEM
1-2112890-4	C	1	PBT-GF30	YELLOW	SECONDARY LOCKING	A	2

TE ORDER-NO.	REV.	QTY	MAT.	COLOR	DESCRIPTION	REV.	ITEM
1-2112890-4	C	1	PBT-GF30	YELLOW	SECONDARY LOCKING	A	2

TE ORDER-NO.	REV.	QTY	MAT.	COLOR	DESCRIPTION	REV.	ITEM
1-2112890-4	C	1	PBT-GF30	YELLOW	SECONDARY LOCKING	A	2

TE ORDER-NO.	REV.	QTY	MAT.	COLOR	DESCRIPTION	REV.	ITEM
1-2112890-4	C	1	PBT-GF30	YELLOW	SECONDARY LOCKING	A	2

TE ORDER-NO.	REV.	QTY	MAT.	COLOR	DESCRIPTION	REV.	ITEM
1-2112890-4	C	1	PBT-GF30	YELLOW	SECONDARY LOCKING	A	2

TE ORDER-NO.	REV.	QTY	MAT.	COLOR	DESCRIPTION	REV.	ITEM
1-2112890-4	C	1	PBT-GF30	YELLOW	SECONDARY LOCKING	A	2

TE ORDER-NO.	REV.	QTY	MAT.	COLOR	DESCRIPTION	REV.	ITEM
1-2112890-4	C	1	PBT-GF30	YELLOW	SECONDARY LOCKING	A	2

TE ORDER-NO.	REV.	QTY	MAT.	COLOR	DESCRIPTION	REV.	ITEM
1-2112890-4	C	1	PBT-GF30	YELLOW	SECONDARY LOCKING	A	2

TE ORDER-NO.	REV.	QTY	MAT.	COLOR	DESCRIPTION	REV.	ITEM
1-2112890-4	C	1	PBT-GF30	YELLOW	SECONDARY LOCKING	A	2

TE ORDER-NO.	REV.	QTY	MAT.	COLOR	DESCRIPTION	REV.	ITEM
1-2112890-4	C	1	PBT-GF30	YELLOW	SECONDARY LOCKING	A	2

TE ORDER-NO.	REV.	QTY	MAT.	COLOR	DESCRIPTION	REV.	ITEM
1-2112890-4	C	1	PBT-GF30	YELLOW	SECONDARY LOCKING	A	2

TE ORDER-NO.	REV.	QTY	MAT.	COLOR	DESCRIPTION	REV.	ITEM
1-2112890-4	C	1	PBT-GF30	YELLOW	SECONDARY LOCKING	A	2

TE ORDER-NO.	REV.	QTY	MAT.	COLOR	DESCRIPTION	REV.	ITEM
1-2112890-4	C	1	PBT-GF30	YELLOW	SECONDARY LOCKING	A	2

TE ORDER-NO.	REV.	QTY	MAT.	COLOR	DESCRIPTION	REV.	ITEM
1-2112890-4	C	1	PBT-GF30	YELLOW	SECONDARY LOCKING	A	2

TE ORDER-NO.	REV.	QTY	MAT.	COLOR	DESCRIPTION	REV.	ITEM
1-2112890-4	C	1	PBT-GF30	YELLOW	SECONDARY LOCKING	A	2

TE ORDER-NO.	REV.	QTY	MAT.	COLOR	DESCRIPTION	REV.	ITEM
1-2112890-4	C	1	PBT-GF30	YELLOW	SECONDARY LOCKING	A	2

TE ORDER-NO.	REV.	QTY	MAT.	COLOR	DESCRIPTION	REV.	ITEM
1-2112890-4	C	1	PBT-GF30	YELLOW	SECONDARY LOCKING	A	2

TE ORDER-NO.	REV.	QTY	MAT.	COLOR	DESCRIPTION	REV.	ITEM
1-2112890-4	C	1	PBT-GF30	YELLOW	SECONDARY LOCKING	A	2

TE ORDER-NO.	REV.	QTY	MAT.	COLOR	DESCRIPTION	REV.	ITEM
1-2112890-4	C	1	PBT-GF30	YELLOW	SECONDARY LOCKING	A	2

TE ORDER-NO.	REV.	QTY	MAT.	COLOR	DESCRIPTION	REV.	ITEM
1-2112890-4	C	1	PBT-GF30	YELLOW	SECONDARY LOCKING	A	2

TE ORDER-NO.	REV.	QTY	MAT.	COLOR	DESCRIPTION	REV.	ITEM
1-2112890-4	C	1	PBT-GF30	YELLOW	SECONDARY LOCKING	A	2

TE ORDER-NO.	REV.	QTY	MAT.	COLOR	DESCRIPTION	REV.	ITEM
1-2112890-4	C	1	PBT-GF30	YELLOW	SECONDARY LOCKING	A	2

TE ORDER-NO.	REV.	QTY	MAT.	COLOR	DESCRIPTION	REV.	ITEM
1-2112890-4	C	1	PBT-GF30	YELLOW	SECONDARY LOCKING	A	2

TE ORDER-NO.	REV.	QTY	MAT.	COLOR	DESCRIPTION	REV.	ITEM
1-2112890-4	C	1	PBT-GF30	YELLOW	SECONDARY LOCKING	A	2

TE ORDER-NO.	REV.	QTY	MAT.	COLOR	DESCRIPTION	REV.	ITEM
1-2112890-4	C	1	PBT-GF30	YELLOW	SECONDARY LOCKING	A	2

TE ORDER-NO.	REV.	QTY	MAT.	COLOR	DESCRIPTION	REV.	ITEM
1-2112890-4	C	1	PBT-GF30	YELLOW	SECONDARY LOCKING	A	2

TE ORDER-NO.	REV.	QTY	MAT.	COLOR	DESCRIPTION	REV.	ITEM
1-2112890-4	C	1	PBT-GF30	YELLOW	SECONDARY LOCKING	A	2

TE ORDER-NO.	REV.	QTY	MAT.	COLOR	DESCRIPTION	REV.	ITEM
1-2112890-4	C	1	PBT-GF30	YELLOW	SECONDARY LOCKING	A	2

TE ORDER-NO.	REV.	QTY	MAT.	COLOR	DESCRIPTION	REV.	ITEM
1-2112890-4	C	1	PBT-GF30	YELLOW	SECONDARY LOCKING	A	2

TE ORDER-NO.	REV.	QTY	MAT.	COLOR	DESCRIPTION	REV.	ITEM
1-2112890-4	C	1	PBT-GF30	YELLOW	SECONDARY LOCKING	A	2

TE ORDER-NO.	REV.	QTY	MAT.	COLOR	DESCRIPTION	REV.	ITEM
1-2112890-4	C	1	PBT-GF30	YELLOW	SECONDARY LOCKING	A	2

TE ORDER-NO.	REV.	QTY	MAT.	COLOR	DESCRIPTION	REV.	ITEM
1-2112890-4	C	1	PBT-GF30	YELLOW	SECONDARY LOCKING	A	2

TE ORDER-NO.	REV.	QTY	MAT.	COLOR	DESCRIPTION	REV.	ITEM
1-2112890-4	C	1	PBT-GF30	YELLOW	SECONDARY LOCKING	A	2

TE ORDER-NO.	REV.	QTY	MAT.	COLOR	DESCRIPTION	REV.	ITEM
1-2112890-4	C	1	PBT-GF30	YELLOW	SECONDARY LOCKING	A	2

TE ORDER-NO.	REV.	QTY	MAT.	COLOR	DESCRIPTION	REV.	ITEM
1-2112890-4	C	1	PBT-GF30	YELLOW	SECONDARY LOCKING	A	2

TE ORDER-NO.	REV.	QTY	MAT.	COLOR	DESCRIPTION	REV.	ITEM
1-2112890-4	C	1	PBT-GF30	YELLOW	SECONDARY LOCKING	A	2

TE ORDER-NO.	REV.	QTY	MAT.	COLOR	DESCRIPTION	REV.	ITEM
1-2112890-4	C	1	PBT-GF30	YELLOW	SECONDARY LOCKING	A	2

TE ORDER-NO.	REV.	QTY	MAT.	COLOR	DESCRIPTION	REV.	ITEM
1-2112890-4	C	1	PBT-GF30	YELLOW	SECONDARY LOCKING	A	2

TE ORDER-NO.	REV.	QTY	MAT.	COLOR	DESCRIPTION	REV.	ITEM
1-2112890-4	C	1	PBT-GF30	YELLOW	SECONDARY LOCKING	A	2

TE ORDER-NO.	REV.	QTY	MAT.	COLOR	DESCRIPTION	REV.	ITEM
1-2112890-4	C	1	PBT-GF30	YELLOW	SECONDARY LOCKING	A	2

TE ORDER-NO.	REV.	QTY	MAT.	COLOR	DESCRIPTION	REV.	ITEM
1-2112890-4	C	1	PBT-GF30	YELLOW	SECONDARY LOCKING		

X-ON Electronics

Largest Supplier of Electrical and Electronic Components

Click to view similar products for [Automotive Connectors](#) category:

Click to view products by [TE Connectivity](#) manufacturer:

Other Similar products are found below :

[003-018-000](#) [60403001](#) [60993906-B](#) [M902-2131](#) [M902-2161](#) [M902-2344](#) [72.330.1035.1](#) [73.353.4028.0](#) [F119300-B](#) [F166900](#) [F258300-B](#)
[F358300-B](#) [F407400](#) [F444110](#) [F487000](#) [F509500B-B](#) [827153-1](#) [8N1515-32-24P](#) [9-1326729-8](#) [925474-1](#) [928905-1](#) [964562-4](#) [968782-1](#)
[GT17SA-8DS-HU](#) [98891-1012](#) [98947-1016](#) [12004147](#) [12004475-L](#) [12010290](#) [12010309-B](#) [12015454](#) [12020219-B](#) [12041318-B](#) [12052225-](#)
[L](#) [12052466](#) [12064869](#) [12004327-B](#) [12015308](#) [12015384](#) [12015909](#) [1-21030-1](#) [12041254](#) [12041318](#) [12047946-B](#) [12047957](#) [12047957-L](#)
[12059473](#) [12066261](#) [12110546](#) [12110546-B](#)