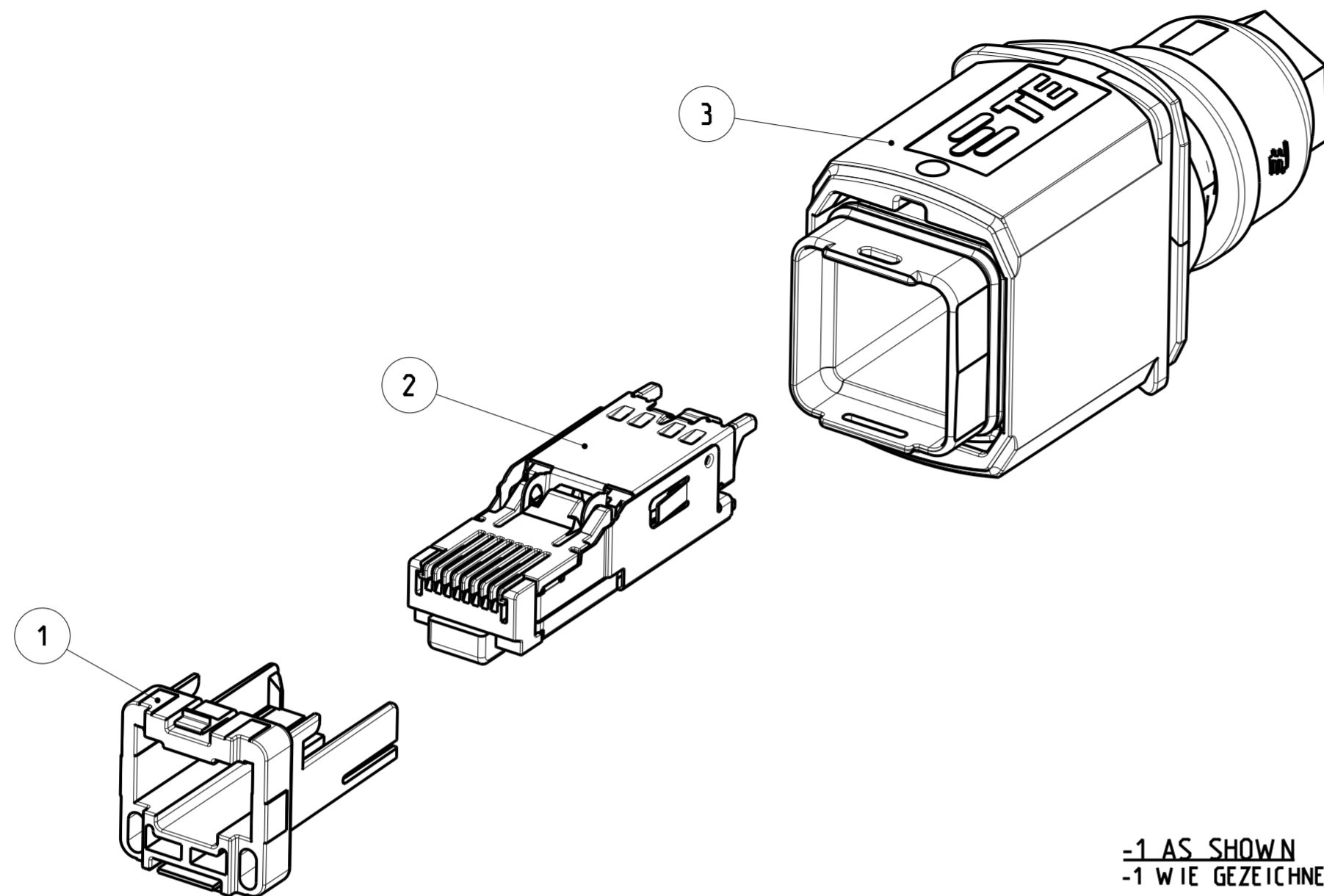


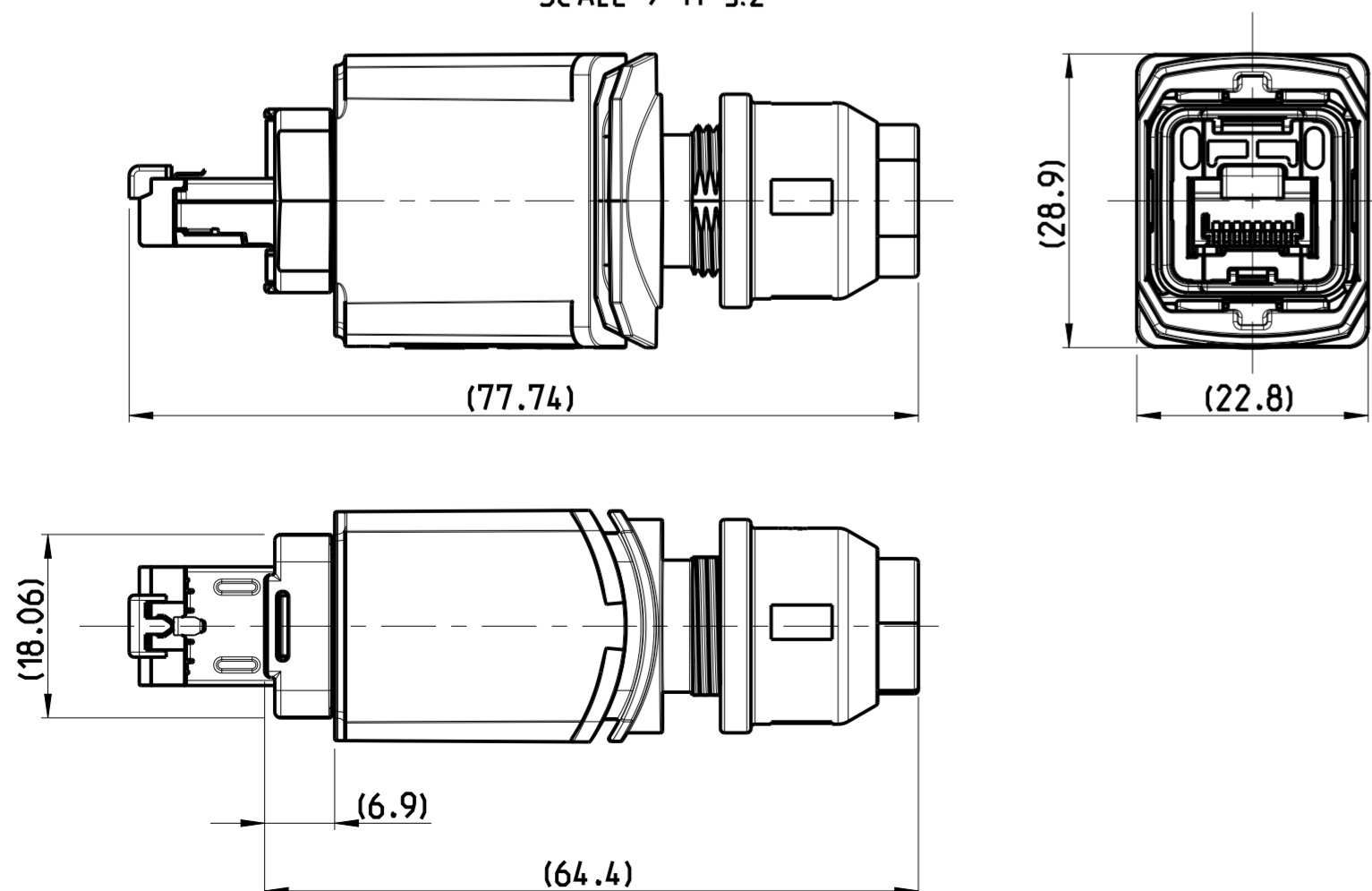
REVISIONS		DATE	DWN	APVD
NO.	DESCRIPTION			
A1	DRAWING ACTIVATED	18JUN2014	ER	CS
A2	VARIANT 1--1 ADDED	29MAR2016	ER	MS
B1	PCN :E-20-007322	16DEC2020	SS	MSZ
B2	PCN E-20-002171	08MAR2021	SS	JDB



-1 AS SHOWN  
-1 WIE GEZEICHNET

- ⚠ MOUNTING-CYCLE:  
- APPLICATION SEE INSTRUCTION SHEET 411-18564
- 2 PACKAGING:  
- CONNECTOR SET PACKED INTO BLISTER PACKAGE.  
- BLISTER PACKAGE PACKED INTO CARTON
- 3 RJ45 APPLICATION ACC. IEC 60076-3-117 AND INTERFACE DIM.
- ⚠ NOT SHOWN
- ⚠ MONTAGE:  
- VERARBEITUNG SIEHE MONTAGEANWEISUNG 411-18564
- 2 VERPACKUNG:  
- STECKER SET IN BLISTERVERPACKUNG VERPACKT  
- BLISTERVERPACKUNG TRAY IN KARTON VERPACKT
- 3 RJ45 ANWENDUNG NACH IEC 60076-3-117 UND SCHNITTSTELLENMASSE
- ⚠ NICHT DARGESTELLT

DIMENSION IN ASSEMBLED CONDITION  
MASSE IM ASSEMBLIERTEN ZUSTAND  
SCALE / M 3:2



Size ISO 14405 (E)

		2120864-1	TE ORDER-NO. BESTELL-NR.	
-	-	1	5	BLISTER PACKAGE BLISTERVERPACKUNG
-	-	1	4	INSTRUCTION SHEET MONTAGEANWEISUNG
-	-	1	3	PUSH PULL. SUB-ASSY PUSH PULL. SUB-ASSY
-	-	1	2	COMMON CORE ASSY 8POS.. GIGABIT GEN. KERN ASSY 8POL.. GIGABIT
-	-	1	1	ADAPTER RJ45, CAT5e PLUG, VARIANT 14 ADAPTER RJ45, CAT5e STECKER, VARIANTE 14
QUANTITY STUECK	ITEM-NO. POS.	DESCRIPTION BENENNUNG		SURFACE OBERFLAECHE COLOUR/FARBE
				PBT-GF20

THIS DRAWING IS A CONTROLLED DOCUMENT. DIMENSIONING AND TOLERANCING PER GPS (ISO STANDARDS).

DIMENSIONS: MASSE/MASSSTAB: (MM)

TOLERANCES UNLESS OTHERWISE SPECIFIED: ALLGEMEINTOLERANZEN

0 PLC	±0.2
1 PLC	±0.2
2 PLC	±0.2
3 PLC	±
4 PLC	±
ANGLES/WINKEL	±2°
FINISH/OBERFLAECHE/FARBE	

MATERIAL: -

DWN: S. HASS 20SEP2013  
CHK: M. STRELOW 20SEP2013  
APVD: C. SCHRETLINGER 20SEP2013

PRODUCT SPEC: 108-94207  
APPLICATION SPEC: -  
WEIGHT: 78.6g

Customer Drawing

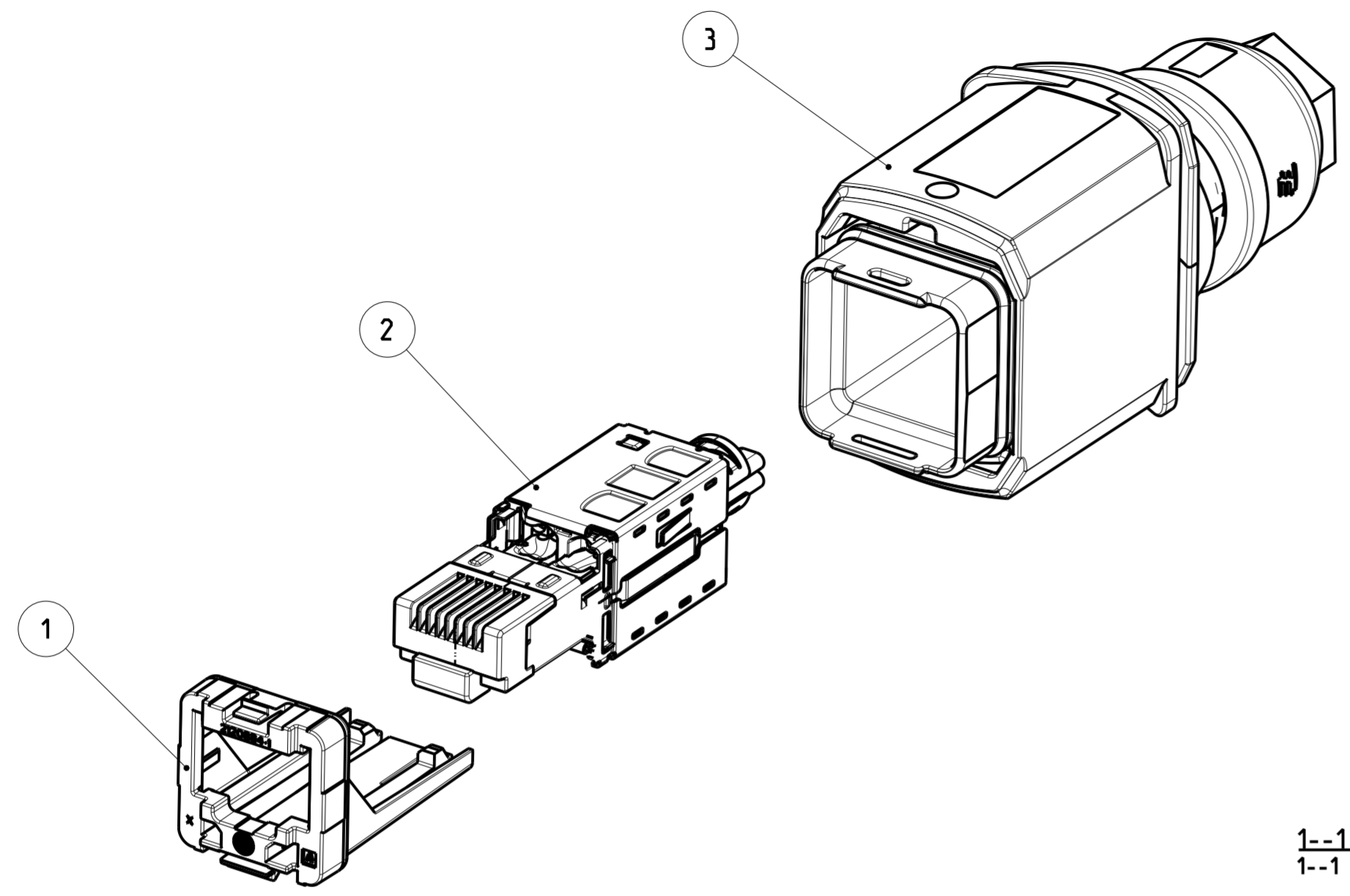
NAME: VARIANT 14. PLUG METAL VARIANTE 14. PLUG METALL RJ45, CAT5e, 8POS. GIGABIT

SIZE: A2  
CAGE CODE: 00779  
DRAWING NO. ZEICHNUNGS-NR.: C-2120864

RESTRICTED TO MUR FUER: -

SCALE MASSSTAB: 2:1  
SHEET BLATT: 1 OF 5  
REV: B2

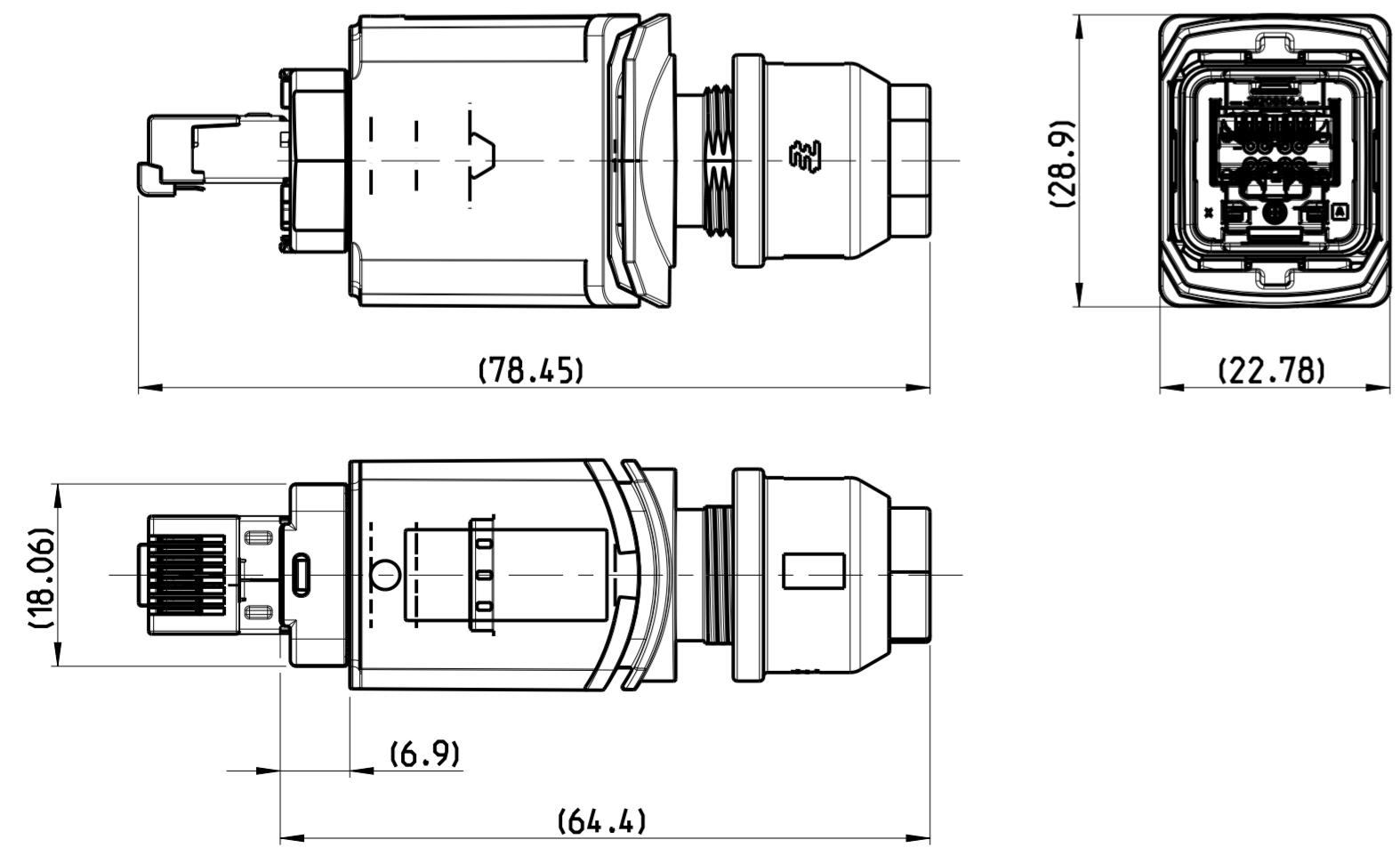
REVISIONS		DATE	DWN	APVD
NO.	DESCRIPTION			
1	SEE SHEET 1	-	-	-



1--1 AS SHOWN  
1--1 WIE GEZEICHNET

- ⚠ **MOUNTING-CYCLE:**  
- APPLICATION SEE INSTRUCTION SHEET 411-18566
- 2 **PACKAGING:**  
- CONNECTOR SET PACKED INTO BLISTER PACKAGE.  
- BLISTER PACKAGE PACKED INTO CARTON
- 3 RJ45 APPLICATION ACC. IEC 60076-3-117 AND INTERFACE DIM.
- ⚠ **NOT SHOWN**
  
- ⚠ **MONTAGE:**  
- VERARBEITUNG SIEHE MONTAGEANWEISUNG 411-18566
- 2 **VERPACKUNG:**  
- STECKER SET IN BLISTERVERPACKUNG VERPACKT  
- BLISTERVERPACKUNG TRAY IN KARTON VERPACKT
- 3 RJ45 ANWENDUNG NACH IEC 60076-3-117 UND SCHNITTSTELLENMASSE
- ⚠ **NICHT DARGESTELLT**

**DIMENSION IN ASSEMBLED CONDITION**  
**MASSE IM ASSEMBLIERTEN ZUSTAND**  
SCALE / M 3:2



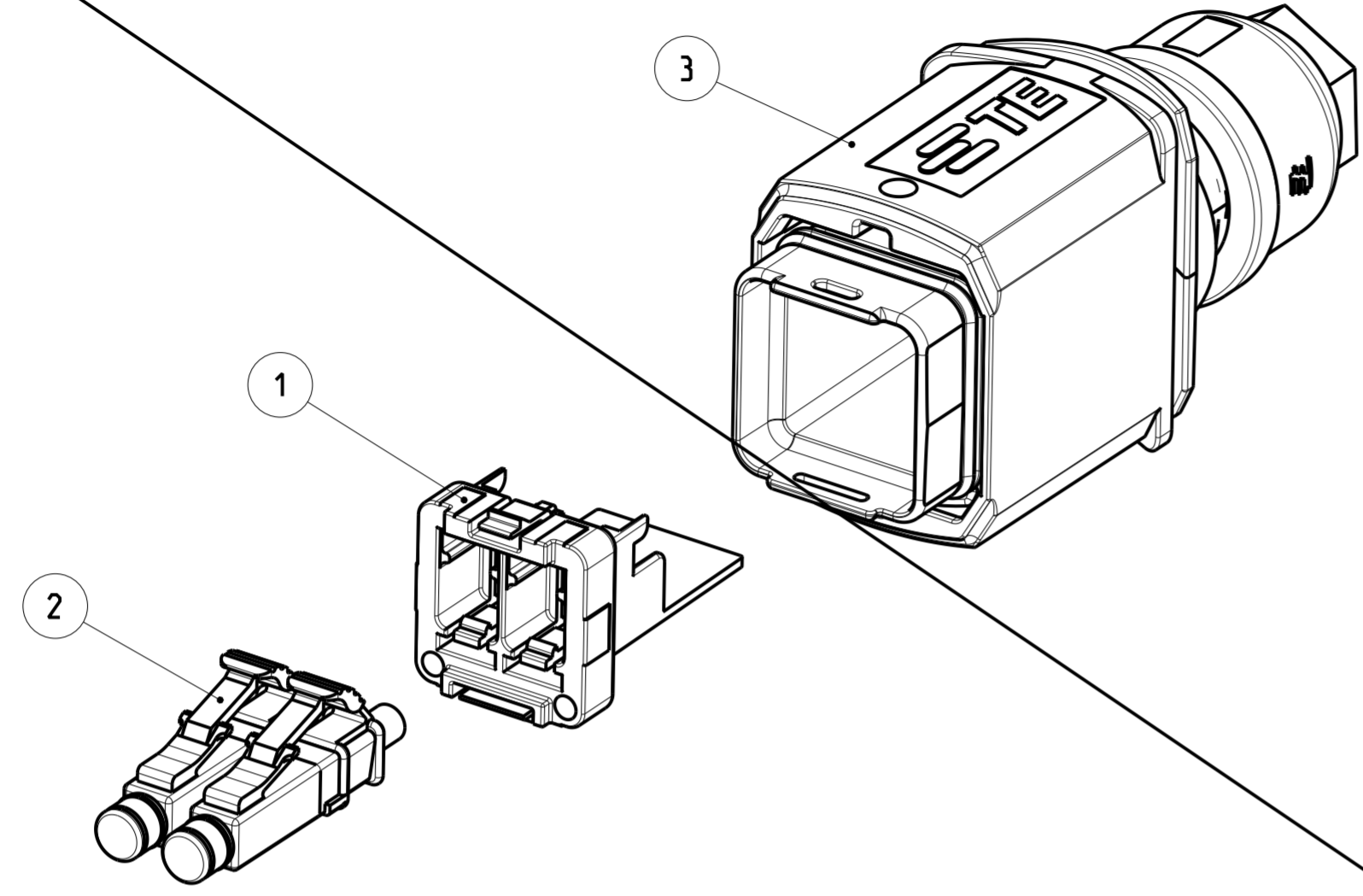
Size ISO 14405 (E)

		1-2120864-1		TE ORDER-NO. BESTELL-NR.	
-	-	1	5	BLISTER PACKAGE BLISTERVERPACKUNG	⚠
-	-	1	4	INSTRUCTION SHEET MONTAGEANWEISUNG	⚠
-	-	1	3	PUSH PULL. SUB-ASSY PUSH PULL. SUB-ASSY	3-5 μm Ni OVER 8 μm Cu
-	-	1	2	COMMON CORE ASSY 8POS.. CAT6A GEM. KERN ASSY 8POL.. CAT6A	ZP04.10 DIN 12833
-	-	1	1	ADAPTER RJ45, CAT6A PLUG, VARIANT 14 ADAPTER RJ45, CAT6A STECKER, VARIANTE 14	BLACK SCHWARZ
QUANTITY STUECK		ITEM-NO. POS.	DESCRIPTION BENENNUNG		SURFACE OBERFLAECHE
					C OLOUR/FARBE
					MATERIAL
					PBT-GF20

THIS DRAWING IS A CONTROLLED DOCUMENT. DIMENSIONING AND TOLERANCING PER GPS (ISO STANDARDS).

DIMENSIONS: MASSE/MAßSTÄBE: [mm]	TOLERANCES UNLESS OTHERWISE SPECIFIED: ALLGEMEINTE TOLERANZEN	DWN S. HASS 20SEP2013	 TE Connectivity
		CHK M. STRELOW 20SEP2013	
		APVD C. SCHREITLINGER 20SEP2013	
		PRODUCT SPEC 108-94207	NAME VARIANT 14, PLUG METAL VARIANTE 14, PLUG METALL RJ45, CAT6A, 8POS.
		APPLICATION SPEC	SIZE A2
		WEIGHT 83.0g	CAGE CODE 00779
		Customer Drawing	DRAWING NO. C-2120864
			RESTRICTED TO MUR FUER -
			SCALE 2:1
			SHEET 2 OF 5
			REV B2

P	LTR	REVISIONS ÄNDERUNGEN DESCRIPTION BESCHREIBUNG	DATE	DWH	APV
-	-	SEE SHEET 1	-	-	-

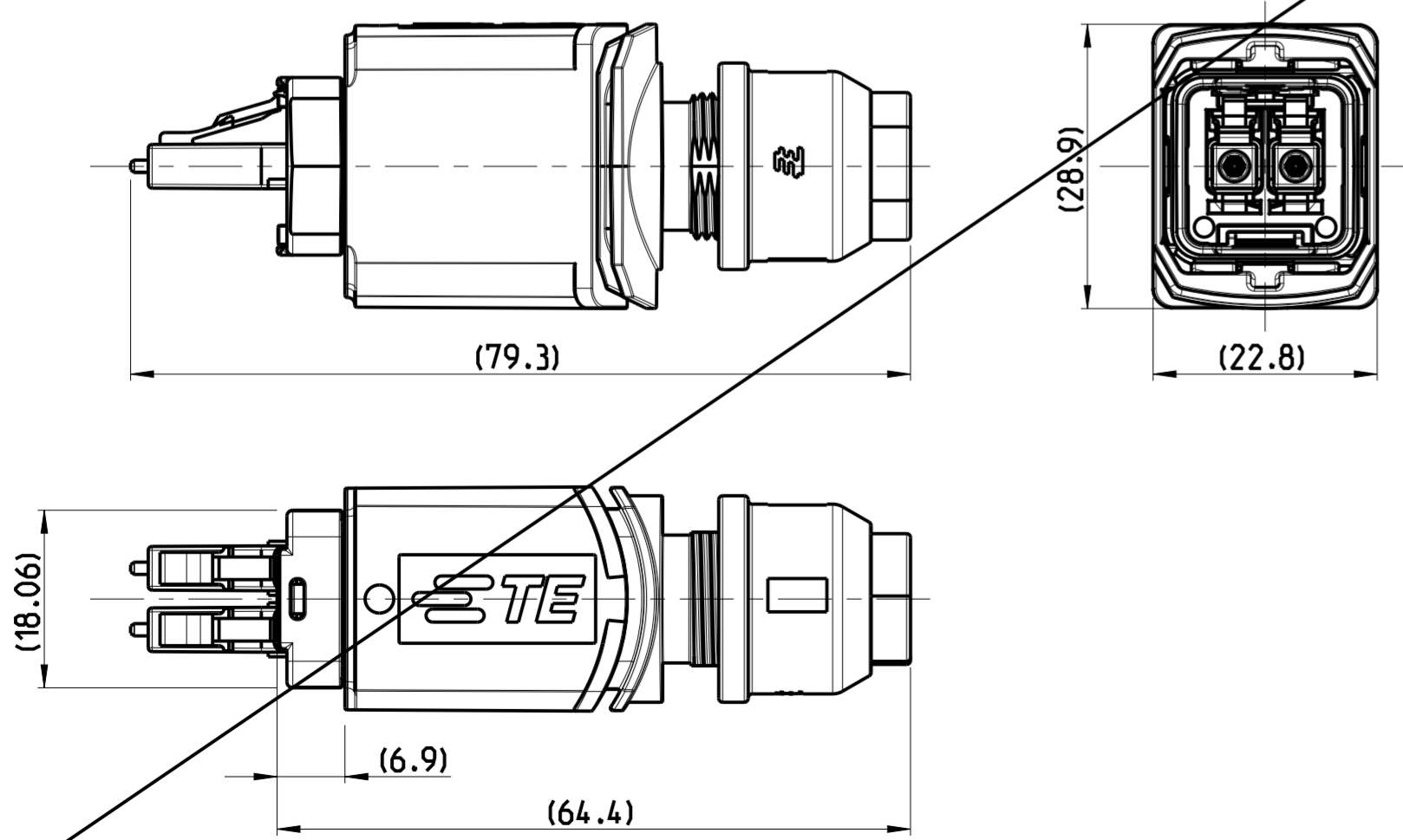


2--1 AS SHOWN  
2--1 WIE GEZEICHNET

- 1 MOUNTING-CYCLE:  
- APPLICATION SEE INSTRUCTION SHEET 411-18565
  - 2 PACKAGING:  
- CONNECTOR SET PACKED INTO BLISTER PACKAGE  
- BLISTER PACKAGE PACKED INTO CARTON
  - 3 CONNECTOR APPLICATION ACC. INSTRUCTION SHEET 408-8925
  - 4 NOT SHOWN
- 
- 1 MONTAGE:  
- VERARBEITUNG SIEHE MONTAGEANWEISUNG 411-18565
  - 2 VERPACKUNG:  
- STECKER SET IN BLISTERVERPACKUNG VERPACKT  
- BLISTERVERPACKUNG IN KARTON VERPACKT
  - 3 STECKVERBINDER MONTAGE NACH ARBEITSANWEISUNG 408-8925
  - 4 NICHT DARGESTELLT

# OBSOLETE

DIMENSION IN ASSEMBLED CONDITION  
MASSE IM ASSEMBLIERTEN ZUSTAND  
SCALE / M 3:2



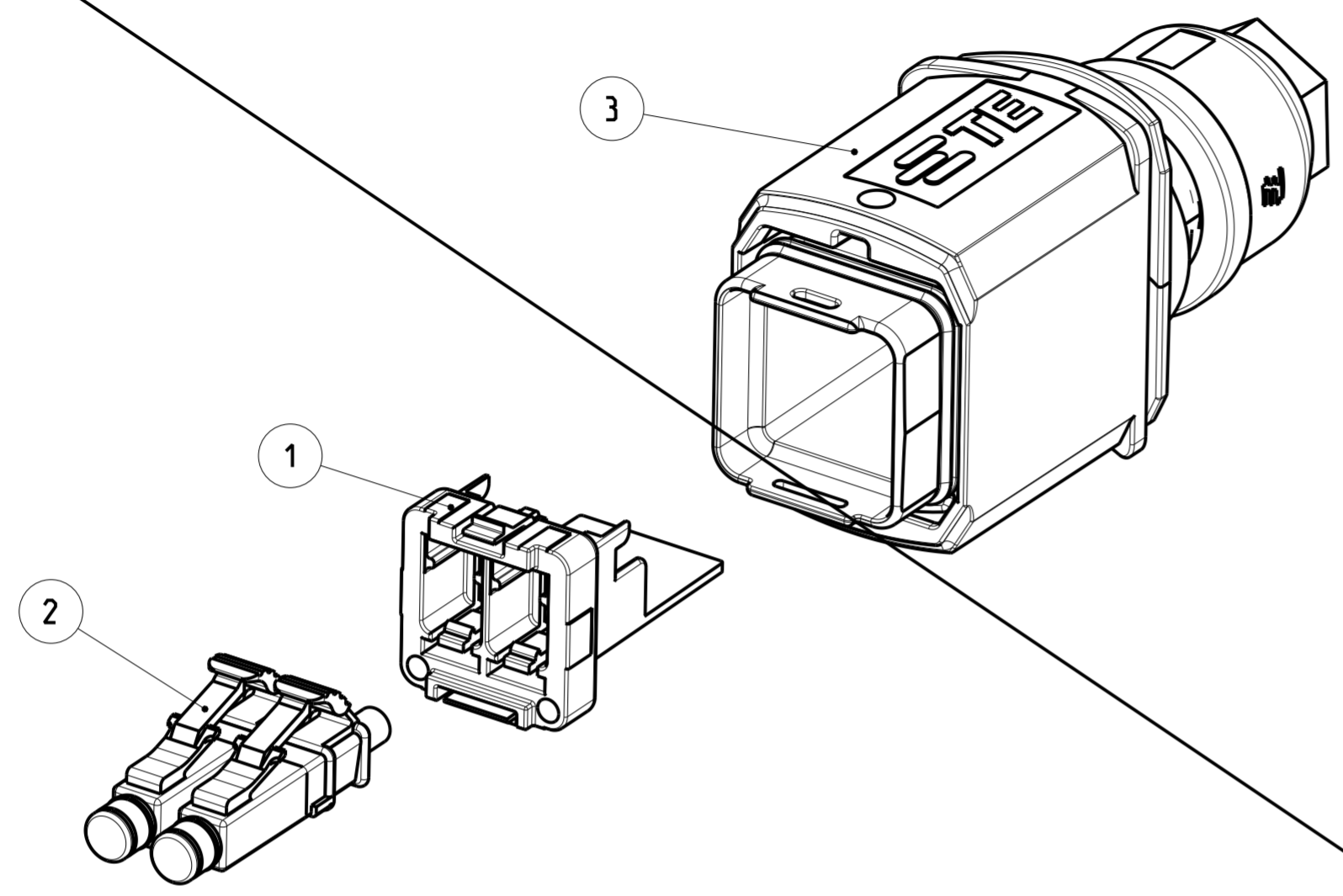
Size ISO 14405 (E)

QUANTITY STÜCK		ITEM-NO. POS.	DESCRIPTION BENENNUNG	SURFACE OBERFLÄCHE COLOUR/FARBE	MATERIAL
-	-	1	5 BLISTER PACKAGE BLISTERVERPACKUNG	-	-
-	-	1	4 INSTRUCTION SHEET MONTAGEANWEISUNG	-	-
-	-	1	3 PUSH PULL. SUB-ASSY PUSH PULL. SUB-ASSY	3-5 µm Ni OVER 8 µm Cu	ZP0410 DIN 12833
-	-	2	2 CONNECTOR ASSEMBLY ONE-PIECE LC. SINGLE MODE GLASFASERVERBINDER. LC. SINGLEMODE	BLUE BLAU	-
-	-	1	1 ADAPTER FIBER OPTIC PLUG. VARIANTE 14 ADAPTER FIBER OPTIC STECKER. VARIANTE 14	BLACK SCHWARZ	PBT-GF20

THIS DRAWING IS A CONTROLLED DOCUMENT. DIMENSIONING AND TOLERANCING PER GPS (ISO STANDARDS).		DWH S. HASS 20SEP2013	<p>TE Connectivity</p>
DIMENSIONS: MASSE/WEITEN: [mm]	TOLERANCES UNLESS OTHERWISE SPECIFIED: ALLGEMEINTOLERANZEN	CHK M. STRELOW 20SEP2013	
0 PLC ±0.2	1 PLC ±0.2	APV C. SCHRETTLINGER 20SEP2013	
2 PLC ±0.2	3 PLC ±	PRODUCT SPEC 108-94207	
4 PLC ±	ANGLES/WINKEL ±2°	APPLICATION SPEC VERARBEITUNGSSPEZ.	NAME VARIANTE 14. PLUG METAL VARIANTE 14. PLUG METAL FIBER OPTIC. LC. SINGLE MODE (BLUE)
MATERIAL	FINISH/OBERFLÄCHE/FARBE	WEIGHT GEWICHT 74.9g	SIZE A2 CAGE CODE 00779 DRAWING NO. C-2120864
Customer Drawing		/KUNDENZEICHNUNG SCALE MASSSTAB 2:1 SHEET BLATT 3 OF VON 5 REV. B2	

P	LTR	REVISIONS ÄNDERUNGEN DESCRIPTION BESCHREIBUNG	DATE	DWH	APVD
-	-	SEE SHEET 1	-	-	-

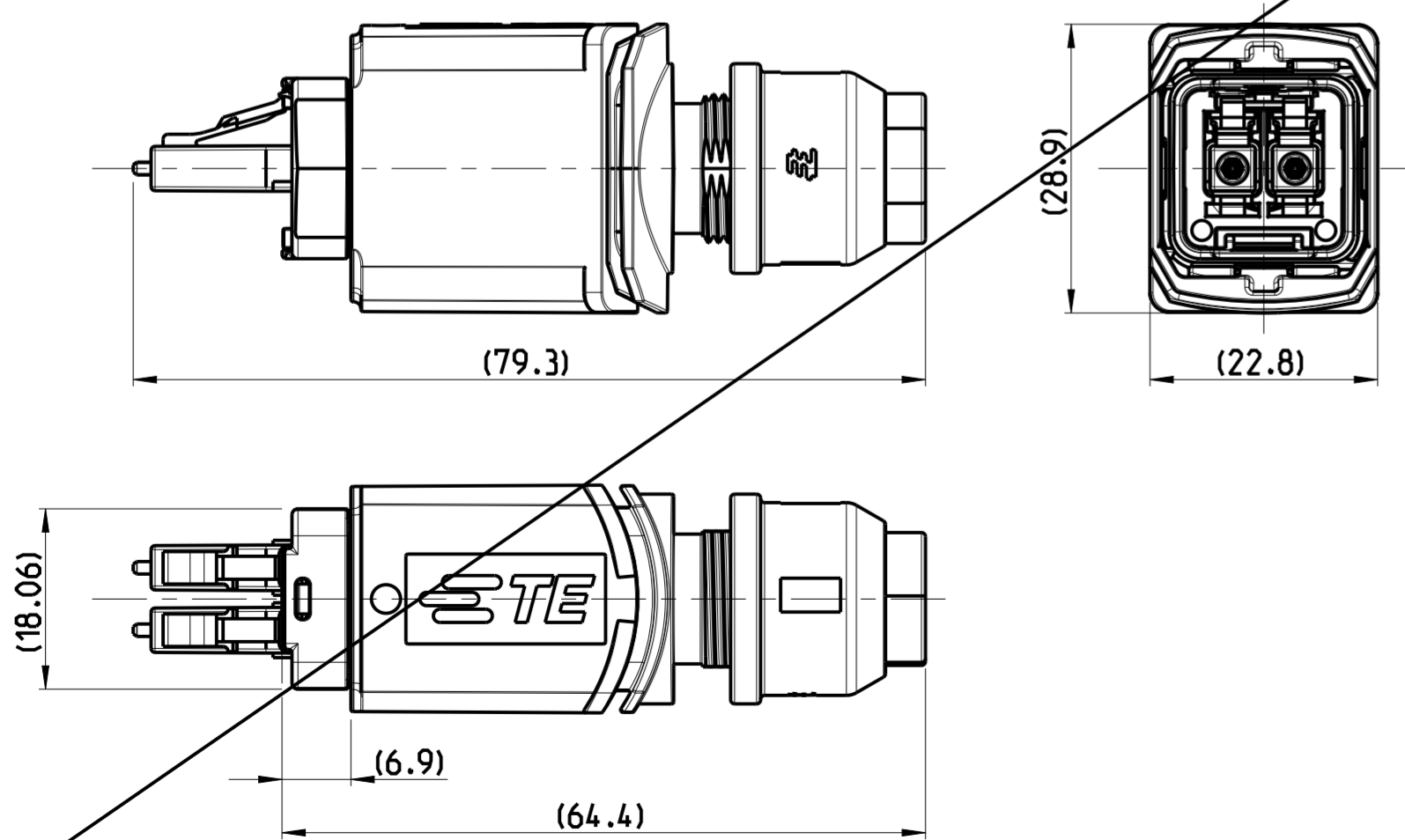


- 1 MOUNTING-CYCLE:  
- APPLICATION SEE INSTRUCTION SHEET 411-18565
  - 2 PACKAGING:  
- CONNECTOR SET PACKED INTO BLISTER PACKAGE  
- BLISTER PACKAGE PACKED INTO CARTON
  - 3 CONNECTOR APPLICATION ACC. INSTRUCTION SHEET 408-8925
  - 4 NOT SHOWN
- 
- 1 MONTAGE:  
- VERARBEITUNG SIEHE MONTAGEANWEISUNG 411-18565
  - 2 VERPACKUNG:  
- STECKER SET IN BLISTERVERPACKUNG VERPACKT  
- BLISTERVERPACKUNG IN KARTON VERPACKT
  - 3 STECKERVERBINDER MONTAGE NACH ARBEITSANWEISUNG 408-8925
  - 4 NICHT DARGESTELLT

3-1 AS SHOWN  
3-1 WIE GEZEICHNET

# OBSOLETE

DIMENSION IN ASSEMBLED CONDITION  
MASSE IM ASSEMBLIERTEN ZUSTAND  
SCALE / M 3:2



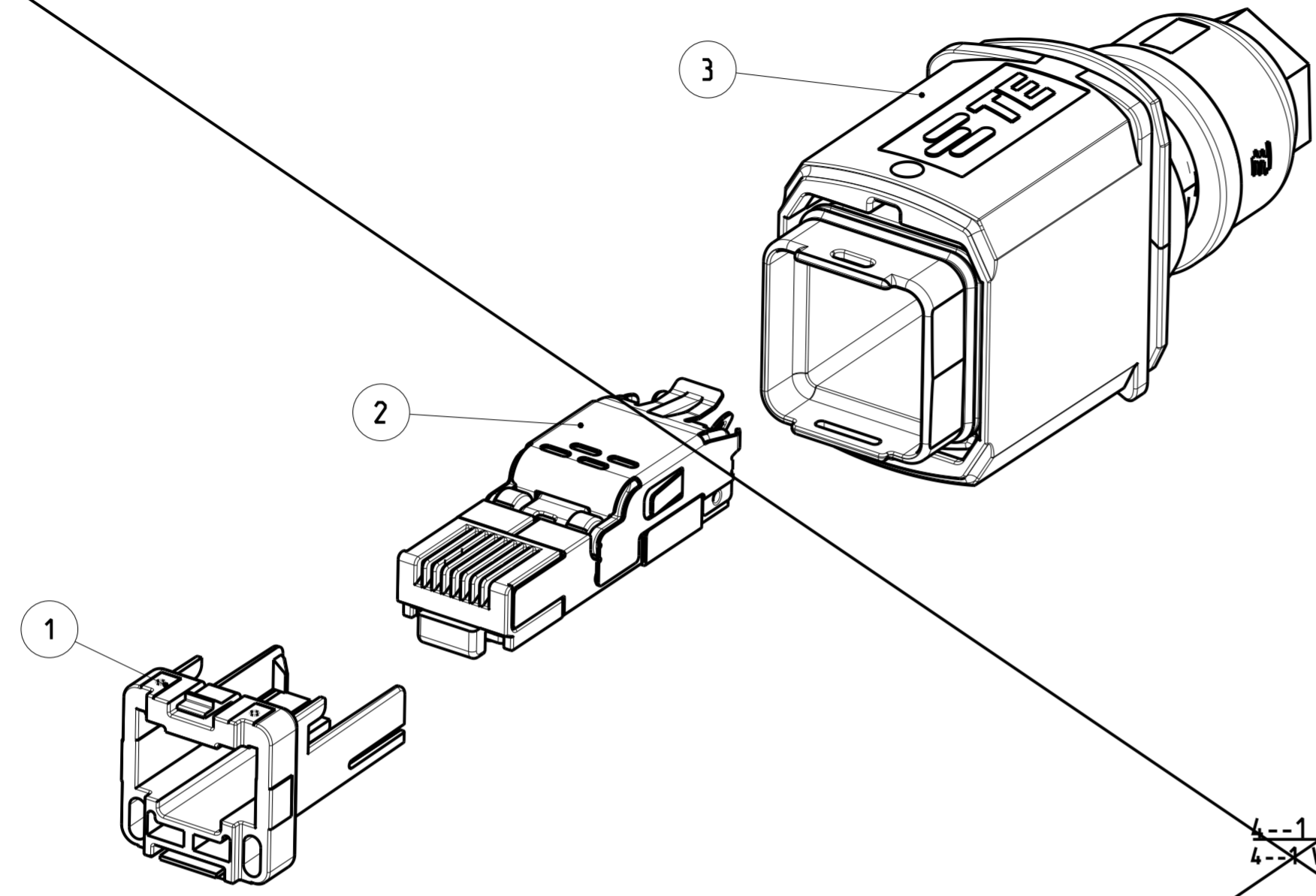
QUANTITY STÜCK	ITEM-NO. POS.	DESCRIPTION BENENNUNG	SURFACE OBERFLÄCHE COLOUR/FARBE	MATERIAL
-	1	5 BLISTER PACKAGE BLISTERVERPACKUNG	-	-
-	1	4 INSTRUCTION SHEET MONTAGEANWEISUNG	-	-
-	1	3 PUSH PULL, SUB-ASSY PUSH PULL, SUB-ASSY	3-5 µm Ni OVER 8 µm Cu	ZP0410 DIN 12833
-	2	2 CONNECTOR ASSEMBLY ONE-PIECE LC, MULTI MODE GLASFASERVERBINDER, LC, MULTIMODE	BLACK SCHWARZ	-
-	1	1 ADAPTER FIBER OPTIC PLUG, VARIANT 14 ADAPTER FIBER OPTIC PLUG, VARIANTE 14	BLACK SCHWARZ	PBT-GF20

THIS DRAWING IS A CONTROLLED DOCUMENT. DIMENSIONING AND TOLERANCING PER GPS (ISO STANDARDS).		DWH S. HASS 20SEP2013	 TE Connectivity
DIMENSIONS: MASSE/WEITEN: [mm]	TOLERANCES UNLESS OTHERWISE SPECIFIED: ALLGEMEINTOLERANZEN	CHK M. STRELOW 20SEP2013	
0 PLC ±0.2	1 PLC ±0.2	APVD C. SCHRETTLINGER 20SEP2013	
2 PLC ±0.2	3 PLC ±	PRODUCT SPEC 108-94207	
4 PLC ±	ANGLES/WINKEL ±2°	APPLICATION SPEC VERARBEITUNGSSPEZ.	NAME VARIANT 14, PLUG METAL VARIANTE 14, PLUG METALL FIBER OPTIC, LC, MULTI MODE (BEIGE)
MATERIAL	FINISH/OBERFLÄCHE/FARBE	WEIGHT GEWICHT 74.9g	SIZE A2 CAGE CODE 00779 DRAWING NO. ZEICHNUNGS-NR. C-2120864
Customer Drawing		/KUNDENZEICHNUNG SCALE MASSSTAB 2:1 SHEET BLATT 4 OF 5 REV B2	

Size ISO 14405 (E)

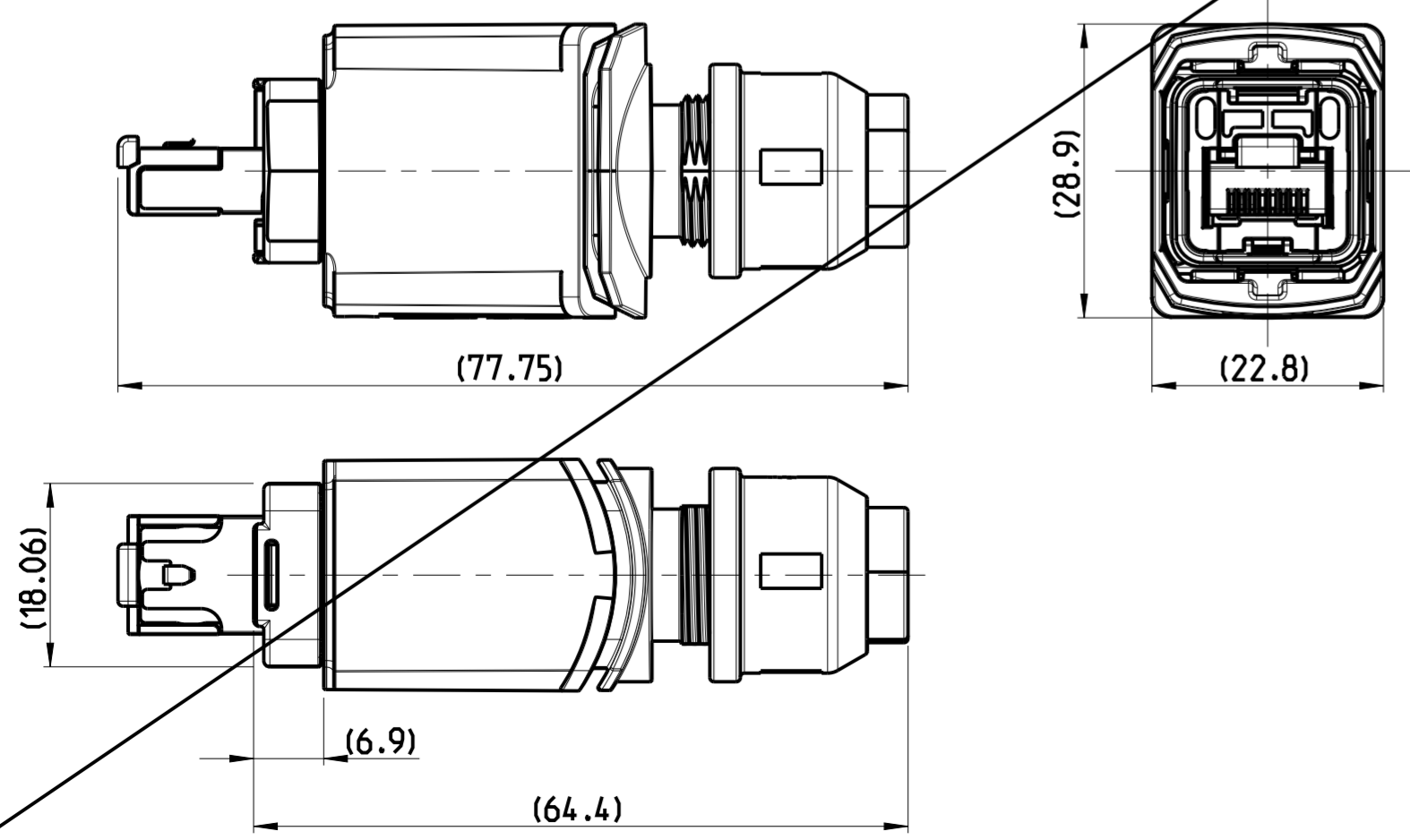
P	LTR	REVISIONS ÄNDERUNGEN	DESCRIPTION BESCHREIBUNG	DATE	DWH	APVD
-	-	SEE SHEET 1				



- 1 MOUNTING-CYCLE:  
- APPLICATION SEE INSTRUCTION SHEET 411-18564
  - 2 PACKAGING:  
- CONNECTOR SET PACKED INTO BLISTER PACKAGE  
- BLISTER PACKAGE PACKED INTO CARTON
  - 3 RJ45 APPLICATION ACC. IEC 60076-3-117 and INTERFACE DIM.
  - 4 NOT SHOWN
- 
- 1 MONTAGE:  
- VERARBEITUNG SIEHE MONTAGEANWEISUNG 411-18564
  - 2 VERPACKUNG:  
- STECKER SET IN BLISTERVERPACKUNG VERPACKT  
- BLISTERVERPACKUNG IN KARTON VERPACKT
  - 3 RJ45 ANWENDUNG NACH IEC 60076-3-117 UND SCHNITTSTELLENMASSE
  - 4 NICHT DARGESTELLT

# OBSOLETE

DIMENSION IN ASSEMBLED CONDITION  
MASSE IM ASSEMBLIERTEN ZUSTAND  
SCALE / M 3:2



Size ISO 14405 (E)

QUANTITY STÜCK		ITEM-NO. POS.	DESCRIPTION BENENNUNG	SURFACE OBERFLÄCHE COLOUR/FARBE	MATERIAL
-	-	1	5 BLISTER PACKAGE BLISTERVERPACKUNG	-	-
-	-	1	4 INSTRUCTION SHEET MONTAGEANWEISUNG	-	-
-	-	1	3 PUSH PULL. SUB-ASSY PUSH PULL. SUB-ASSY	3-5 µm Ni OVER 8 µm Cu	ZP0410 DIN 12833
-	-	1	2 CORE 4POS. ASSY KERN 4POL. ASSY	-	-
-	-	1	1 ADAPTER RJ45, CAT5e, VARIANTE 14, PLUG ADAPTER RJ45, CAT5e, VARIANTE 14, STECKER	BLACK SCHWARZ	PBT-GF20

THIS DRAWING IS A CONTROLLED DOCUMENT. DIMENSIONING AND TOLERANCING PER GPS (ISO STANDARDS).		DWH S. HASS 20SEP2013	 TE Connectivity
DIMENSIONS: MASSE/MAßSTÄBE: (mm)		CHK M. STRELOW 20SEP2013	
TOLERANCES UNLESS OTHERWISE SPECIFIED: ALLGEMEINTOLERANZEN		APVD C. SCHREITLINGER 20SEP2013	
0 PLC ±0.2 1 PLC ±0.2 2 PLC ±0.2 3 PLC ± 4 PLC ± ANGLES/WINKEL ±2° FINISH/OBERFLÄCHE/FARBE		PRODUCT SPEC 108-94207 APPLICATION SPEC VERARBEITUNGSSPEZ.	NAME VARIANTE 14, PLUG METAL VARIANTE 14, PLUG METALL RJ45, CAT5e, 4POS
MATERIAL		WEIGHT GEWICHT 78.6g	SIZE A2 CAGE CODE 00779 DRAWING NO. ZEICHNUNGS-NR. C-2120864
Customer Drawing		RESTRICTED TO NUR FÜR	
SCALE MAßSTAB 2:1		SHEET BLATT 5 OF 5	

## X-ON Electronics

Largest Supplier of Electrical and Electronic Components

*Click to view similar products for [Modular Connectors / Ethernet Connectors](#) category:*

*Click to view products by [TE Connectivity](#) manufacturer:*

Other Similar products are found below :

[8949-H88/06BLKA/SN](#) [74441-0010/BKN](#) [MP1010RX-1000](#) [MP44RX-1000](#) [PHJ-4P4C-1-V-4](#) [PHP-6P6C-5](#) [GAX-3-66](#) [GAX-8-62](#) [GDCX-PA-66-50](#) [GDCX-PN-64](#) [GDCX-PN-66](#) [GDCX-PN-66-50](#) [GDLX-A-66](#) [GDLX-N-66](#) [GDLX-S-66](#) [GDLX-S-88K](#) [GDLX-SMT-S-88](#) [GDTX-S-88-50](#) [GDX-PA-1010](#) [GLX-N-1010M-BLK](#) [GLX-S-88M-BLK](#) [GMX-N-1010](#) [GMX-S-1010](#) [GMX-S-66](#) [GMX-SMT4-N-88](#) [GPX-2-64](#) [GSGX-N-2-88](#) [GSGX-N-4-88](#) [GSX-NS2-88-3.05](#) [GSX-NS2-88-3.05-50](#) [GSX-NS-88-3.05-50](#) [PT-108A-8C-UL](#) [PT-J951-8C](#) [PTS-J531-8CS-50UL](#) [1-1775629-2](#) [A-2014-0-4](#) [GWLX-S-88-GR](#) [GWLX-S9-88-YG](#) [DC-1021-8-WH-6](#) [1300530003](#) [1324640-4](#) [RJ11FTVC2G](#) [RJ11FTVC2N](#) [RJFTVX2SA1G](#) [132764-001](#) [1413235](#) [MP88X-1000](#) [MPS88RX-5000](#) [E5288-S000K3-L](#) [E5908-15A242-L](#)