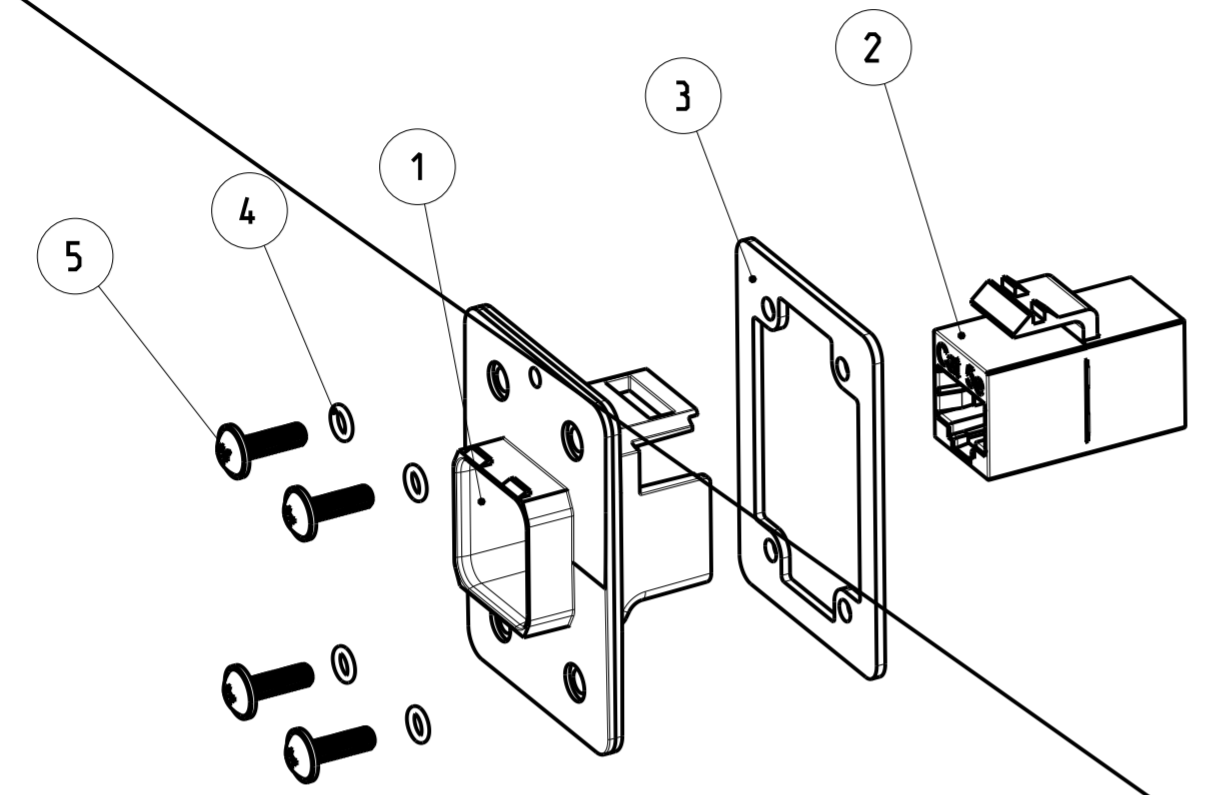


Size ISO 14405 (E)

PROJECT NO.: PRJ-13-000001658

REVISIONS		DATE	DWH	APVD
NO.	DESCRIPTION			
A1	DRAWING ACTIVATED	18 JUN 2014	ER	CS
B1	REV. PER PCN E-14-016181	30 OCT 2014	ER	CS
B2	VARIANT 1--1 ADDED PER PCN E-16-004077	23 MAR 2016	ER	MS
B3	PCN E-20-002171	23 MAR 2021	SS	JDB

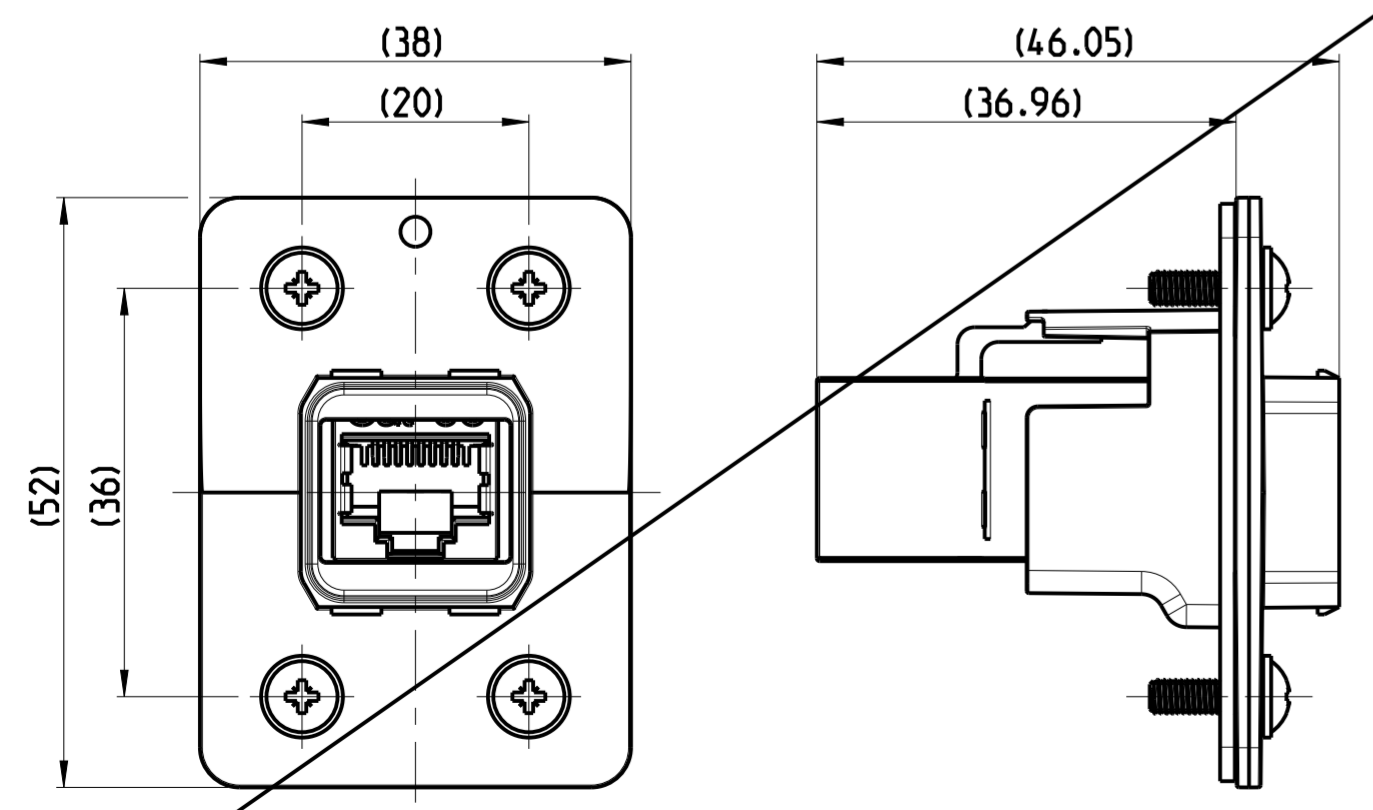


**OBSOLETE**

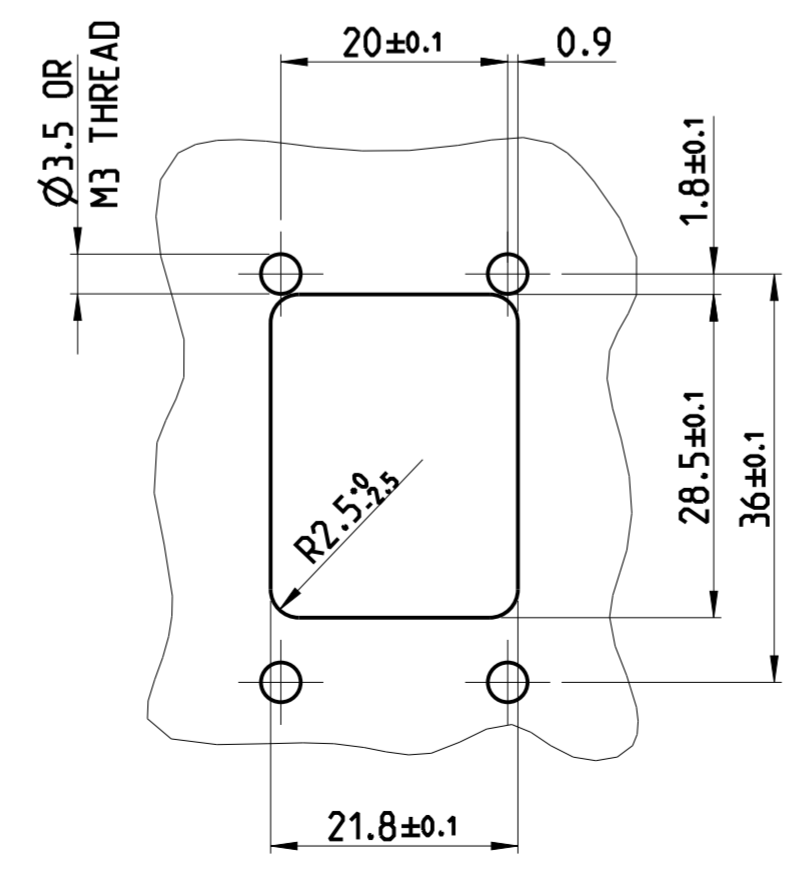
-1 AS SHOWN  
-1 WIE GEZEICHNET

- 1 MOUNTING-CYCLE:  
- APPLICATION SEE INSTRUCTION SHEET 411-18567
- 2 PART NOT SHOWN
- 3 PACKAGING:  
- CONNECTOR SET PACKED INTO BLISTER PACKAGE  
- BLISTER PACKAGE PACKED INTO CARTON
- 4 APPLICATION ACC. IEC 60076-3-117 AND INTERFACE DIM.
- 1 MONTAGE:  
- VERARBEITUNG SIEHE MONTAGEANWEISUNG 411-18567
- 2 TEIL NICHT DARGESTELLT
- 3 VERPACKUNG:  
- STECKER SET IN BLISTERVERPACKUNG VERPACKT  
- BLISTERVERPACKUNG IN KARTON VERPACKT
- 4 ANWENDUNG NACH IEC 60076-3-117 UND SCHNITTSTELLENMASSE

DIMENSION IN ASSEMBLED CONDITION  
MASSE IM ASSEMBLIERTEN ZUSTAND  
SCALE / M 3:2



RECOMMENDED CUT OUT  
EMPFOHLENER BLECHAUSSCHNITT  
SCALE / M 3:2



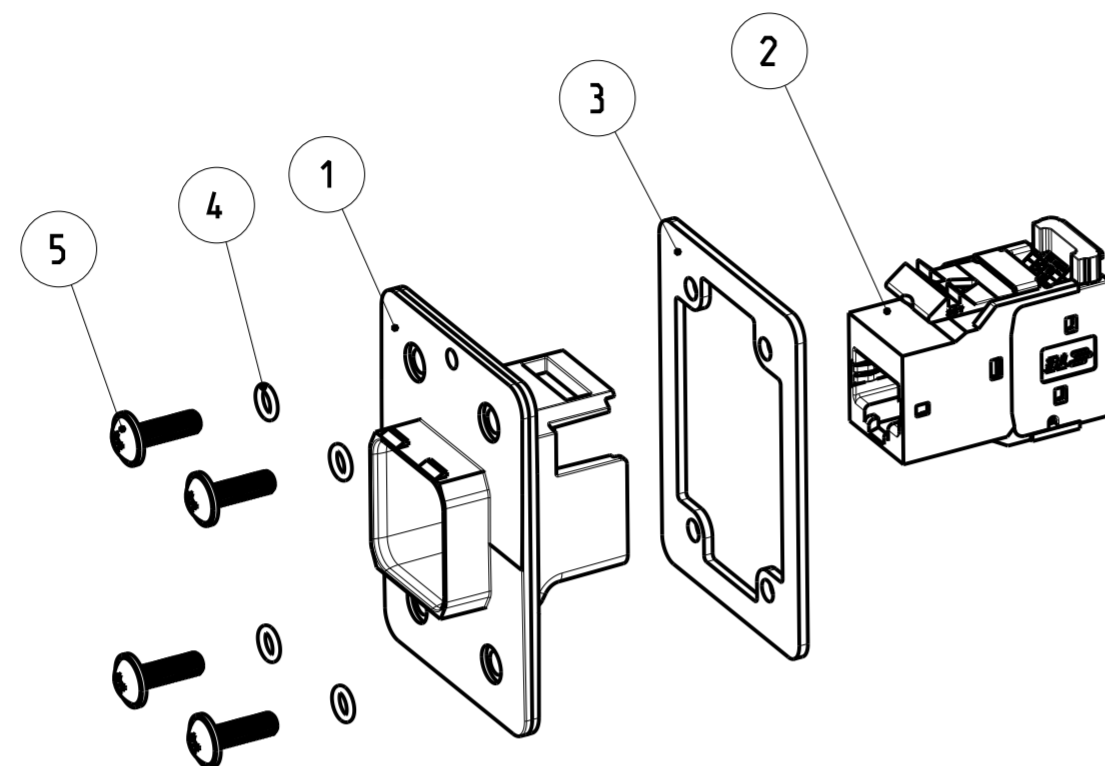
TE ORDER-NO. BESTELL-NR.		ITEM-NO. POS.	DESCRIPTION BENENNUNG	SURFACE OBERFLAECHE COLOUR/FARBE	MATERIAL
-	-	1	7 BLISTER PACKAGE BLISTERVERPACKUNG	-	PET PET
-	-	1	8 INSTRUCTION SHEET MONTAGEANWEISUNG	-	-
-	-	4	5 ROUND HEAD SCREW M3 LINSCHLOPFSCHRAUBE M3	-	STEEL STAHL
-	-	4	4 O-RING SEAL FOR IP67 PUSH PULL FRAME O-RING DICHTUNG FUER IP67 PUSH PULL RAHMEN	BLACK SCHWARZ	EPDM SHORE 70
-	-	1	3 FLAT GASKET FOR IP67 PUSH PULL FRAME FLACH DICHTUNG FUER IP67 PUSH PULL RAHMEN	BLACK SCHWARZ	EPDM SHORE 50
-	-	1	2 COUPLER, SL. INLINE, CAT5e, SHIELDED VERBINDER, SL. INLINE, CAT5e, GESCHIRMT	-	-
-	-	1	1 FRAME, PUSH PULL, VARIANTE 14 METAL RAHMEN, PUSH PULL, VARIANTE 14 METALL	3-5 µm Ni OVER 8 µm Cu	ZP0410 DIN 12833

THIS DRAWING IS A CONTROLLED DOCUMENT. DIMENSIONING AND TOLERANCING PER GPS (ISO STANDARDS).

DIMENSIONS: MASSE/MAßSTÄBE: (MM)	TOLERANCES UNLESS OTHERWISE SPECIFIED: ALLGEMEINTOLERANZEN	DWH S. HASS 24SEP2013	CHK M. STRELOW 24SEP2013	APVD C. SCHRETTLINGER 24SEP2013	NAME VARIANTE 14, JACK METALL VARIANTE 14, JACK METALL CAT5e, PASS TROUGH
0 PLC ±0.2	1 PLC ±0.2	PRODUCT SPEC 108-94207	APPLICATION SPEC	SIZE A2	CAGE CODE 00779
2 PLC ±0.2	3 PLC ±	WEIGHT 64.4g	Customer Drawing	SCALE 1:1	SHEET 1 OF 6
4 PLC ±	ANGLES/WINKEL ±2°			DRAWING NO. C-2120871	REV. B3
FINISH/OBERFLAECHE/FARBE					

STE TE Connectivity

P	LTR	DESCRIPTION	DATE	DWN	APVD
-	-	SEE SHEET 1	-	-	-

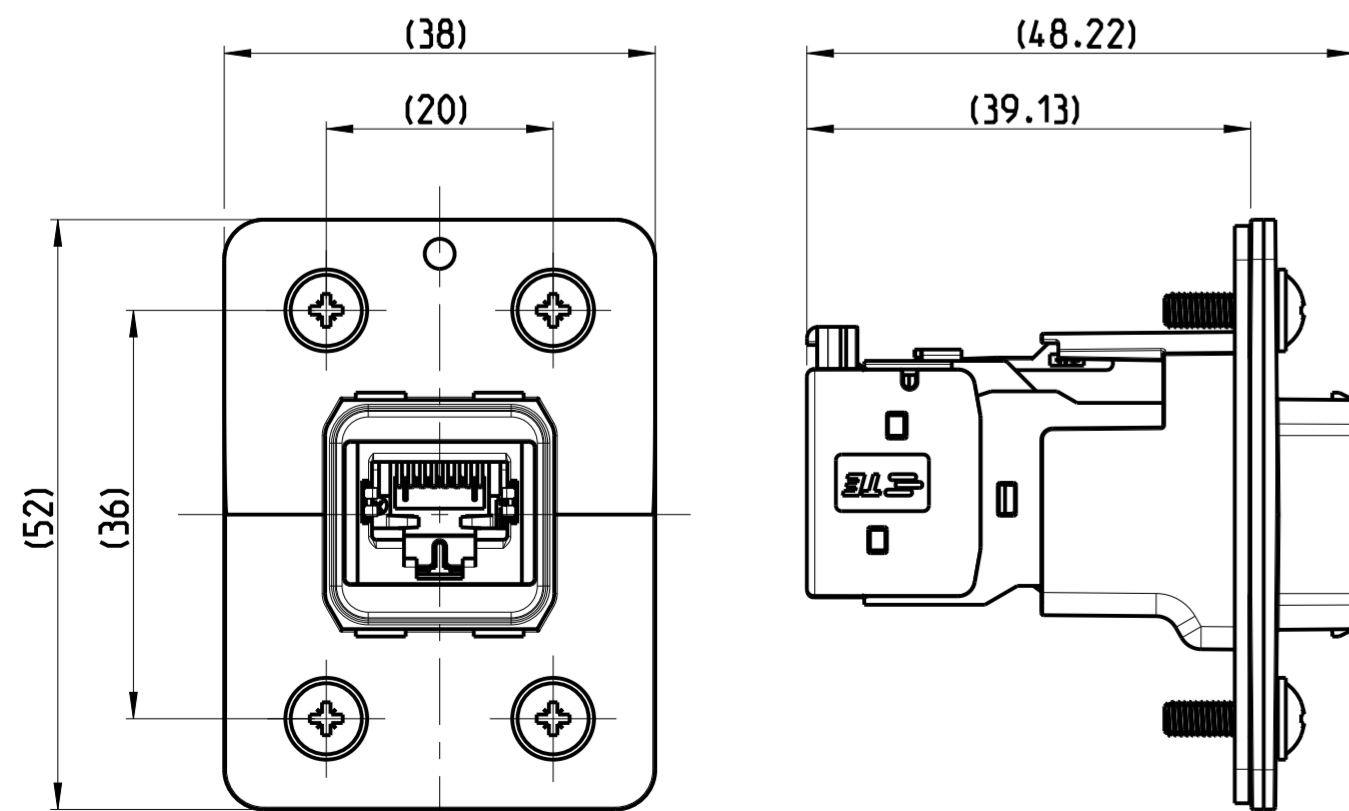


- ⚠ MOUNTING-CYCLE:
  - APPLICATION SEE INSTRUCTION SHEET 411-18569
- ⚠ PART NOT SHOWN
- 3 PACKAGING:
  - CONNECTOR SET PACKED INTO BLISTER PACKAGE
  - BLISTER PACKAGE PACKED INTO CARTON
- 4 APPLICATION ACC. IEC 60076-3-117 AND INTERFACE DIM.

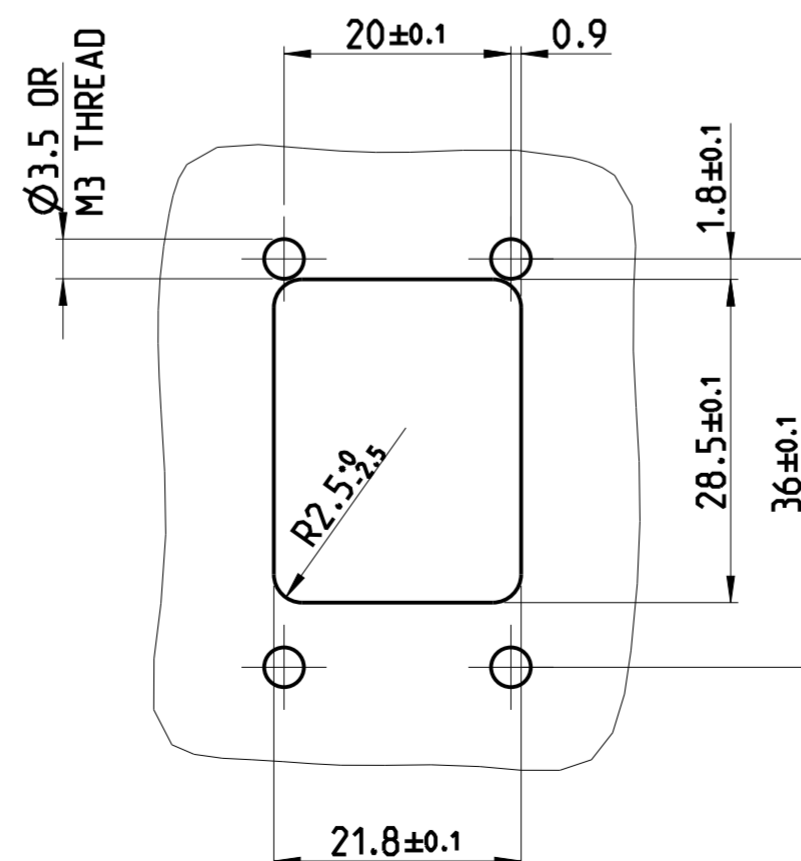
- ⚠ MONTAGE:
  - VERARBEITUNG SIEHE MONTAGEANWEISUNG 411-18569
- ⚠ TEIL NICHT DARGESTELLT
- 3 VERPACKUNG:
  - STECKER SET IN BLISTERVERPACKUNG VERPACKT
  - BLISTERVERPACKUNG IN KARTON VERPACKT
- 4 ANWENDUNG NACH IEC 60076-3-117 UND SCHNITTSTELLENMASSE

1--1 AS SHOWN  
1--1 WIE GEZEICHNET

DIMENSION IN ASSEMBLED CONDITION  
MASSE IM ASSEMBLIERTEN ZUSTAND  
SCALE / M 3:2



RECOMMENDED CUT OUT  
EMPFOHLENER BLECHAUSSCHNITT  
SCALE / M 3:2



		1-2120871-1		TE ORDER-NO. BESTELL-NR.		
QUANTITY STUECK	ITEM-NO. POS.	DESCRIPTION BENENNUNG	SURFACE OBERFLAECHE COLOUR/FARBE	MATERIAL		
-	-	1 7 BLISTER PACKAGE BLISTERVERPACKUNG	-	PET PET		
-	-	1 6 INSTRUCTION SHEET MONTAGEANWEISUNG	-	-		
-	-	4 5 ROUND HEAD SCREW M3 LINSENKOPFSCHRAUBE M3	-	STEEL STAHL		
-	-	4 4 O-RING SEAL FOR IP67 PUSH PULL FRAME O-RING DICHTUNG FUER IP67 PUSH PULL RAHMEN	BLACK SCHWARZ	EPDM SHORE 70		
-	-	1 3 FLAT GASKET FOR IP67 PUSH PULL FRAME FLACH DICHTUNG FUER IP67 PUSH PULL RAHMEN	BLACK SCHWARZ	EPDM SHORE 50		
-	-	1 2 AMP-TWIST GAS SL JACK AMP-TWIST GAS SL BUCHSE	-	-		
-	-	1 1 FRAME, PUSH PULL, VARIANT 14 METAL RAHMEN, PUSH PULL, VARIANTE 14 METALL	3-5 µm Ni OVER 0 µm Cu	ZP0410 DIN 12833		

THIS DRAWING IS A CONTROLLED DOCUMENT. DIMENSIONING AND TOLERANCING PER GPS (ISO STANDARDS).

DIMENSIONS: MASSE/MASSEN: IT/III  
TOLERANCES UNLESS OTHERWISE SPECIFIED: ALLGEMEINTOLERANZEN

0 PLC	±0.2
1 PLC	±0.2
2 PLC	±0.2
3 PLC	±
4 PLC	±
ANGLES/WINKEL	±2°
FINISH/OBERFLAECHE/FARBE	-

MATERIAL: -

DWN: S. HASS 24SEP2013  
CHK: M. STRELOW 24SEP2013  
APVD: C. SCHRETLINGER 24SEP2013

PRODUCT SPEC: 108-94207  
APPLICATION SPEC: -

WEIGHT: 79g  
Customer Drawing

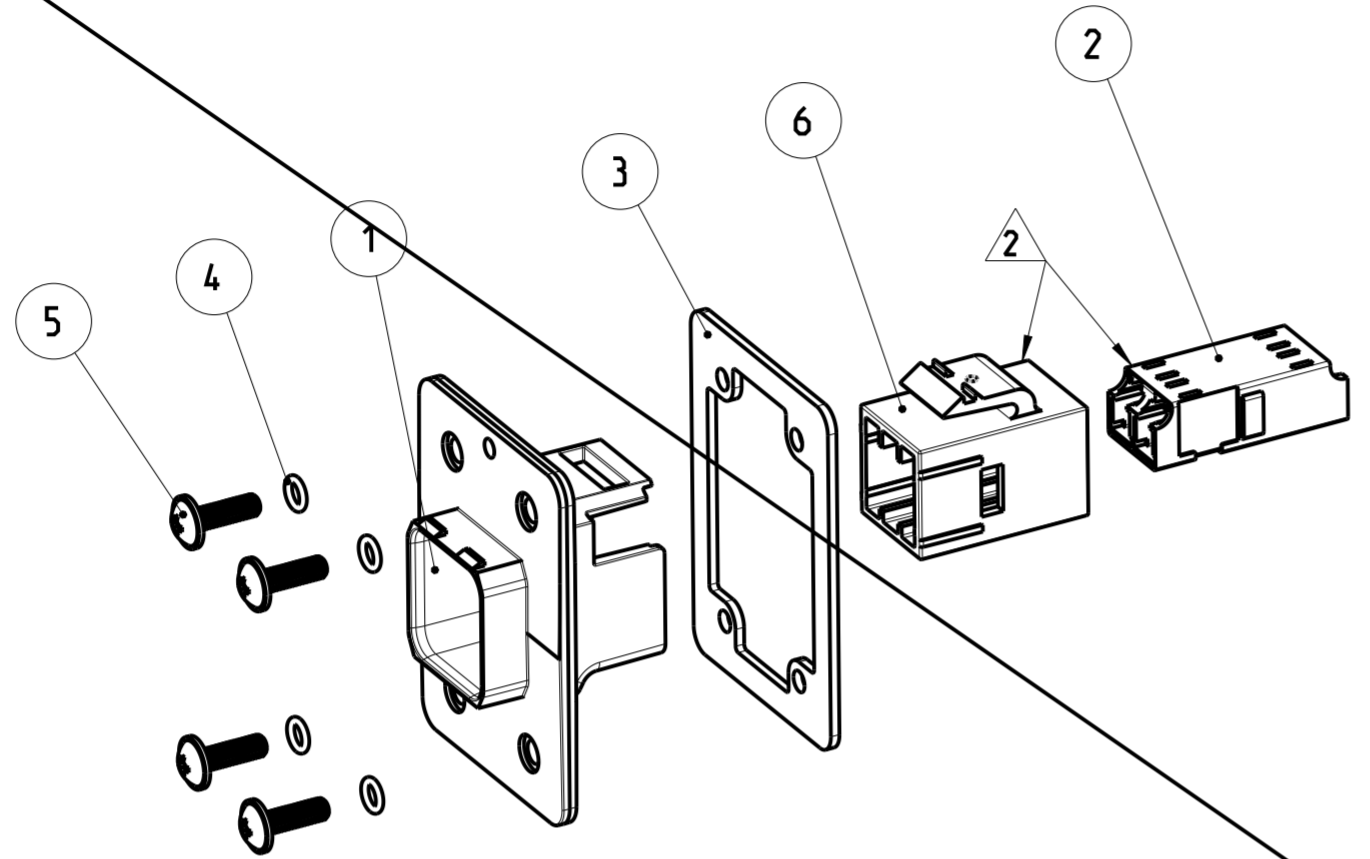
NAME: VARIANT 14. JACK METAL VARIANTE 14. JACK METALL CAT6A

SIZE: A2  
CAGE CODE: 00779  
DRAWING NO. ZEICHNUNGS-NR.: C-2120871

RESTRICTED TO: MUR FUER -

SCALE: 1:1  
SHEET: 2 OF 6  
REV: B3

Size ISO 14405 (E)



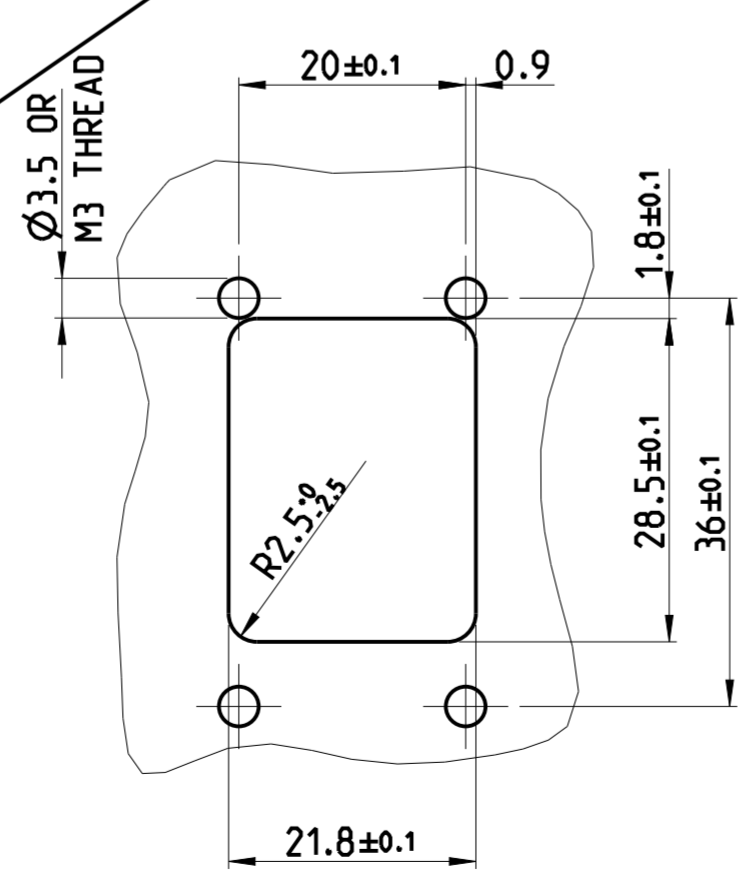
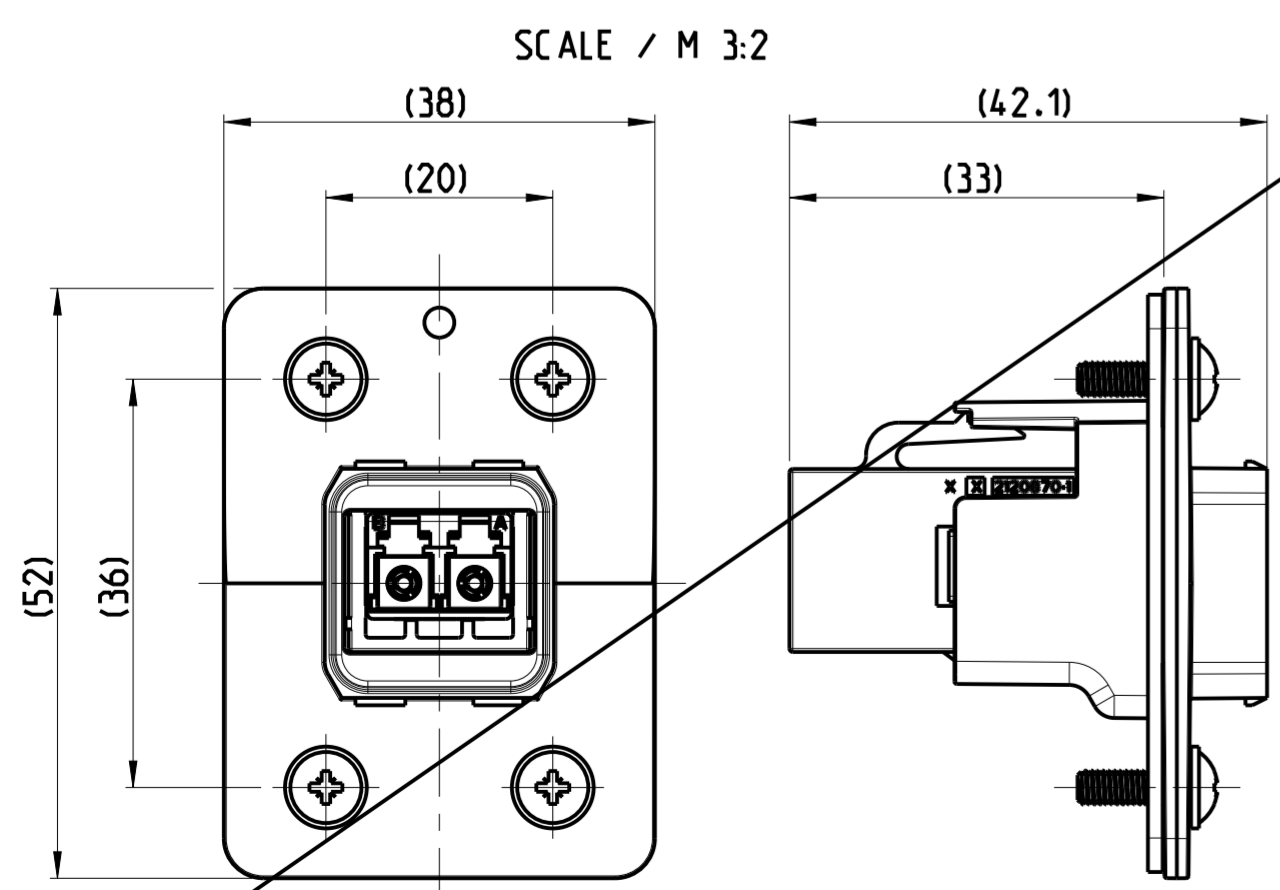
# OBSOLETE

2--1 AS SHOWN  
2--1 WIE GEZEICHNET

- ⚠ MOUNTING-CYCLE:  
- APPLICATION SEE INSTRUCTION SHEET 411-18568
- ⚠ PARTS PRE-ASSEMBLED
- ⚠ PART NOT SHOWN
- ⚠ PACKAGING:  
- CONNECTOR SET PACKED INTO BLISTER PACKAGE  
- BLISTER PACKAGE PACKED INTO CARTON
- ⚠ MONTAGE:  
- VERARBEITUNG SIEHE MONTAGEANWEISUNG 411-18568
- ⚠ TEILE VORMONTIERT
- ⚠ TEIL NICHT DARGESTELLT
- ⚠ VERPACKUNG:  
- STECKER SET IN BLISTERVERPACKUNG VERPACKT  
- BLISTERVERPACKUNG IN KARTON VERPACKT

### DIMENSION IN ASSEMBLED CONDITION MASSE IM ASSEMBLIERTEN ZUSTAND

### RECOMMENDED CUT OUT EMPFOHLENER BLECHAUSSCHNITT



QUANTITY STUECK		ITEM-NO. POS.	DESCRIPTION BENENNUNG	TE ORDER-NO. BESTELL-NR.	SURFACE OBERFLAECHE COLOUR/FARBE	MATERIAL
-	-	1	8 BLISTER PACKAGE BLISTERVERPACKUNG	-	-	PET
-	-	1	7 INSTRUCTION SHEET MONTAGEANWEISUNG	-	-	-
-	-	1	6 ADAPTER FIBER OPTIC. VARIANT 14. JACK ADAPTER FIBER OPTIC. VARIANTE 14. BUCHSE	-	BLACK SCHWARZ	ULTRADUR B4406G4 ULTRADUR B4406G4
-	-	4	5 ROUND HEAD SCREW M3 LINSENKOPFSCHRAUBE M3	-	-	STEEL STAHL
-	-	4	4 O-RING SEAL FOR IP67 PUSH PULL FRAME O-RING DICHTUNG FUER IP67 PUSH PULL RAHMEN	-	BLACK SCHWARZ	EPDM SHORE 70
-	-	1	3 FLAT GASKET FOR IP67 PUSH PULL FRAME FLACH DICHTUNG FUER IP67 PUSH PULL RAHMEN	-	BLACK SCHWARZ	EPDM SHORE 50
-	-	1	2 ASSEMBLY. ADAPTER. REDUCED FLANGE SIZE. DUPLX. LC. SR-SR. SINGLEMODE	-	BLUE BLAU	-
-	-	1	1 FRAME, PUSH PULL. VARIANT 14 METAL RAHMEN. PUSH PULL. VARIANTE 14 METALL	-	3-5 µm Ni OVER 8 µm Cu	ZP0410 DIN 12833

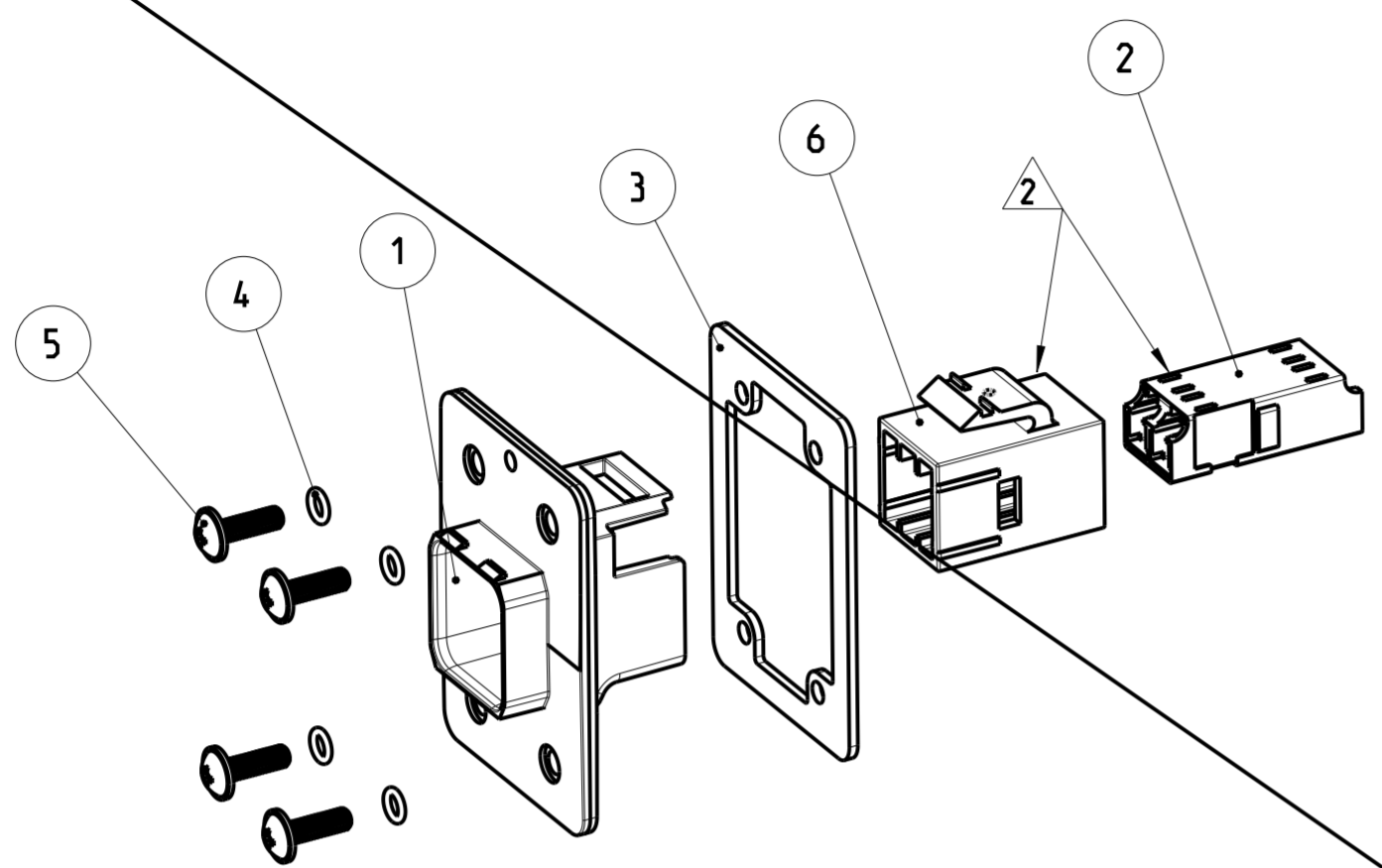
  

THIS DRAWING IS A CONTROLLED DOCUMENT. DIMENSIONING AND TOLERANCING PER GPS (ISO STANDARDS).		DWN S. HASS 24SEP2013	 TE Connectivity	NAME <b>VARIANT 14. JACK METAL</b> <b>VARIANTE 14. JACK METALL</b> <b>FIBER OPTIC. LC. SINGLE MODE</b>	SIZE <b>A2</b>	CAGE CODE <b>00779</b>	DRAWING NO. <b>C-2120871</b>	RESTRICTED TO NUR FUER -	
DIMENSIONS: MASSE/MASSSTAB: IT/IT	TOLERANCES UNLESS OTHERWISE SPECIFIED: ALLGEMEINE TOLERANZEN	CHK M. STRELOW 24SEP2013							APVD C. SCHRETTLINGER 24SEP2013

Size ISO 14405 (E)

PROJECT NO.: PRJ-13-000001658

REVISIONS			DATE	DWN	APVD
NO.	DESCRIPTION	REASON			
1	SEE SHEET 1		-	-	-

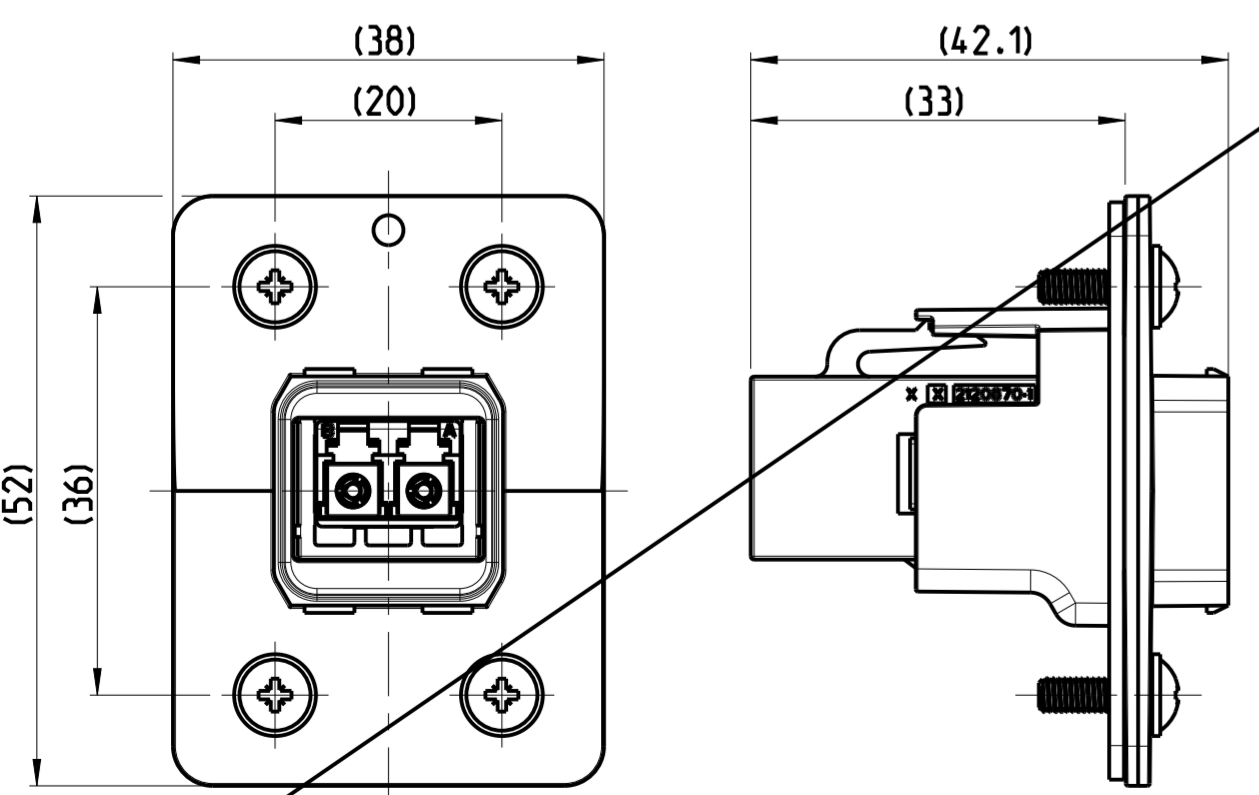


- 1 MOUNTING-CYCLE:  
- APPLICATION SEE INSTRUCTION SHEET 411-18568
- 2 PARTS PRE-ASSEMBLED
- 3 PART NOT SHOWN
- 4 PACKAGING:  
- CONNECTOR SET PACKED INTO BLISTER PACKAGE  
- BLISTER PACKAGE PACKED INTO CARTON
- 1 MONTAGE:  
- VERARBEITUNG SIEHE MONTAGEANWEISUNG 411-18568
- 2 TEILE VORMONTIERT
- 3 TEIL NICHT DARGESTELLT
- 4 VERPACKUNG:  
- STECKER SET IN BLISTERVERPACKUNG VERPACKT  
- BLISTERVERPACKUNG IN KARTON VERPACKT

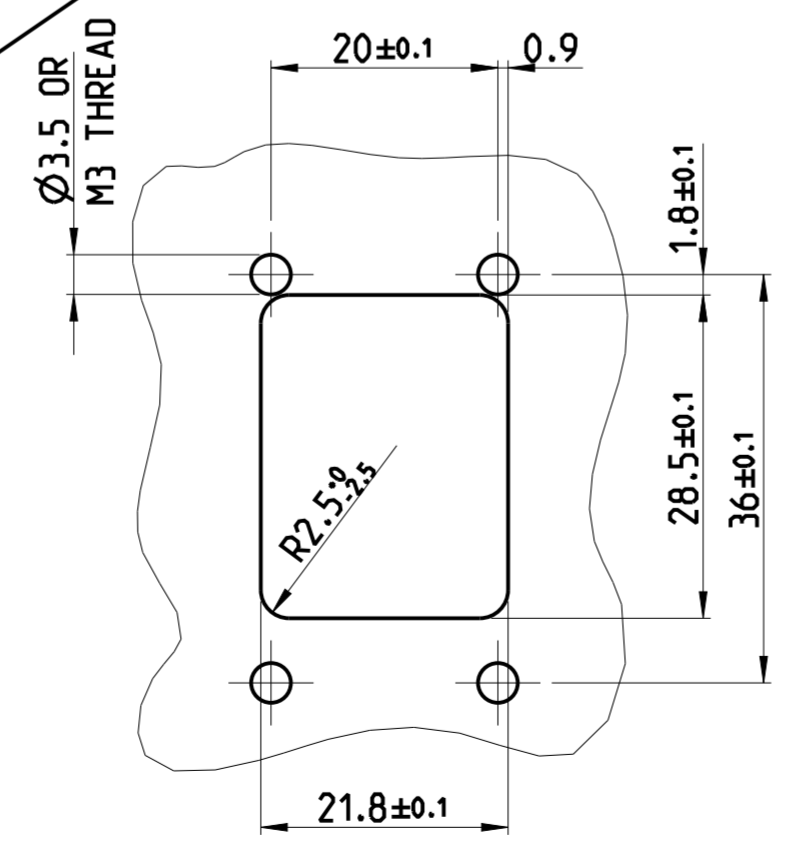
# OBSOLETE

3--1 AS SHOWN  
3--1 WIE GEZEICHNET

DIMENSION IN ASSEMBLED CONDITION  
MASSE IM ASSEMBLIERTEN ZUSTAND  
SCALE / M 3:2



RECOMMENDED CUT OUT  
EMPFOHLENER BLECHAUSSCHNITT  
SCALE / M 3:2



QTY	ITEM-NO.	DESCRIPTION	TE ORDER-NO.	BESTELL-NR.	MATERIAL
8	3-2120871-1	BLISTER PACKAGE			PET
7		INSTRUCTION SHEET			
6		ADAPTER FIBER OPTIC. VARIANT 14. JACK			ULTRADUR B4406G4
4		ROUND HEAD SCREW M3			STEEL
4		O-RING SEAL FOR IP67 PUSH PULL FRAME			EPDM
1		FLAT GASKET FOR IP67 PUSH PULL FRAME			EPDM
1		ASSEMBLY, ADAPTER, REDUCED FLANGE SIZE.			
1		FRAME, PUSH PULL, VARIANT 14 METAL			ZP0410

THIS DRAWING IS A CONTROLLED DOCUMENT. DIMENSIONING AND TOLERANCING PER GPS (ISO STANDARDS).

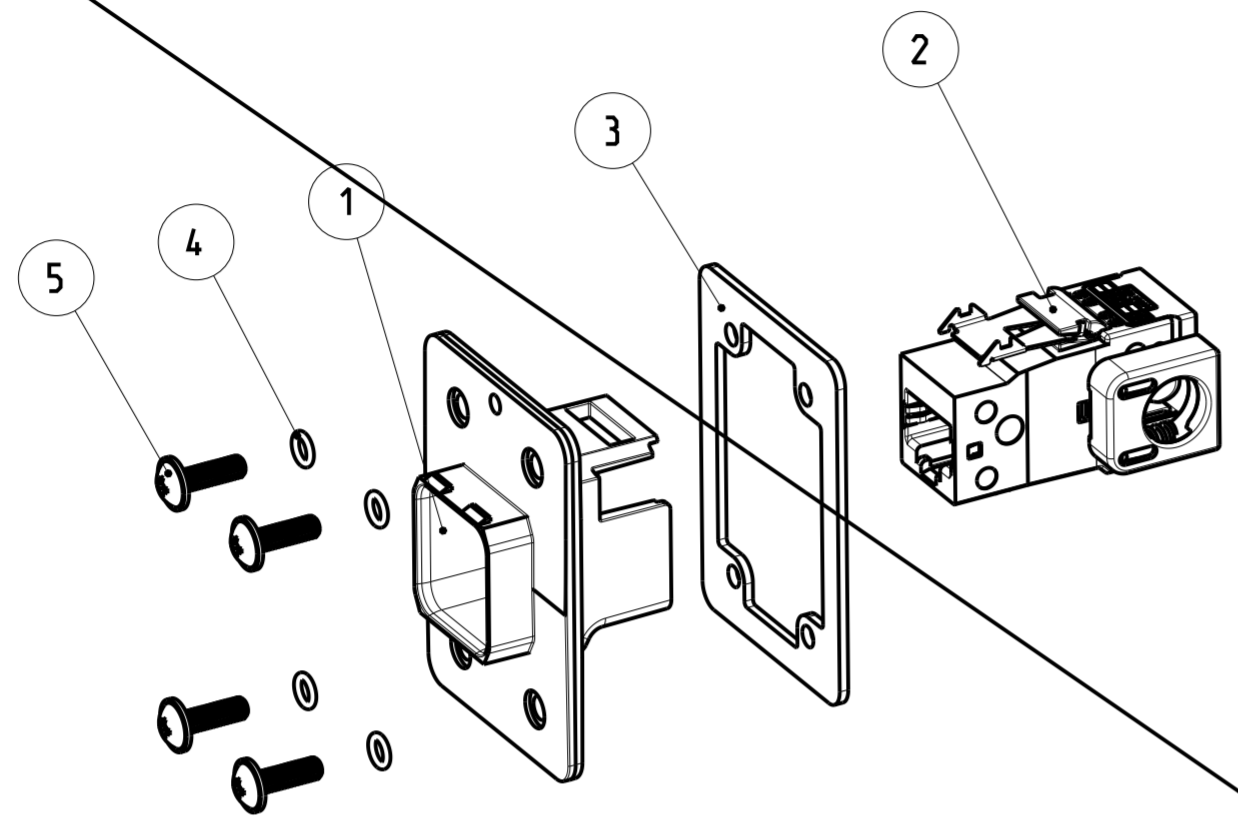
DIMENSIONS: MASSE/MAßSTÄBE: (MM)	TOLERANCES UNLESS OTHERWISE SPECIFIED: ALLGEMEINTELERANZEN	DWN: S. HASS 24SEP2013	CHK: M. STRELOW 24SEP2013	APVD: C. SCHRETTLINGER 24SEP2013	NAME: VARIANTE 14. JACK METAL FIBER OPTIC. LC. MULTI MODE
0 PLC ±0.2	1 PLC ±0.2	2 PLC ±0.2	3 PLC ±	4 PLC ±	ANGLES/WINKEL ±2°
MATERIAL	FINISH/OBERFLÄCHE/FARBE	WEIGHT/GEWICHT 61.2g	Customer Drawing	SCALE/MASSTAB 1:1	SHEET/BLATT 4 von 6

TE Connectivity logo and drawing number C-2120871.

Size ISO 14405 (E)

PROJECT NO.: PRJ-13-000001658

REVISIONS		DATE	OWN	APVD
AMENDUNGEN	DESCRIPTION			
P	LTR			
-	SEE SHEET 1			

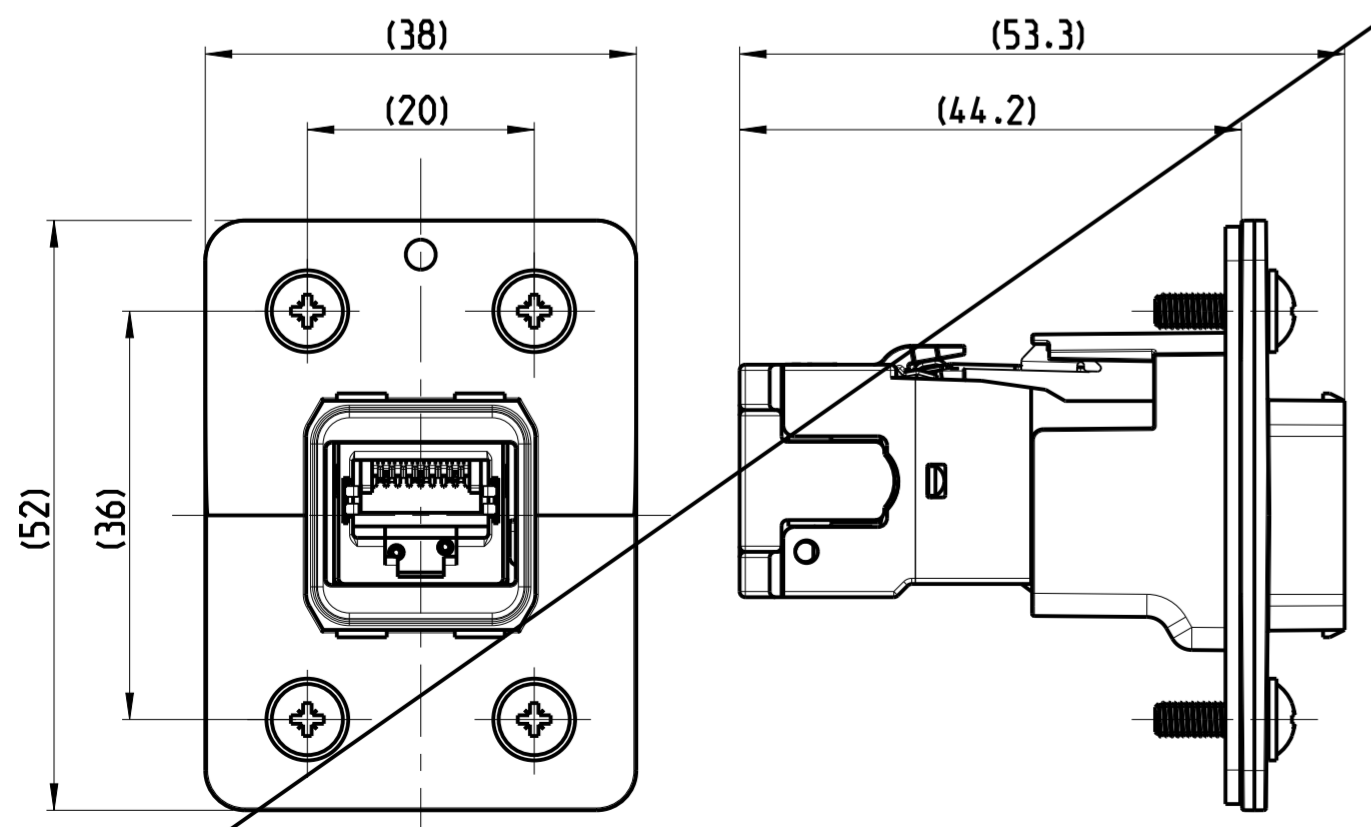


# OBSOLETE

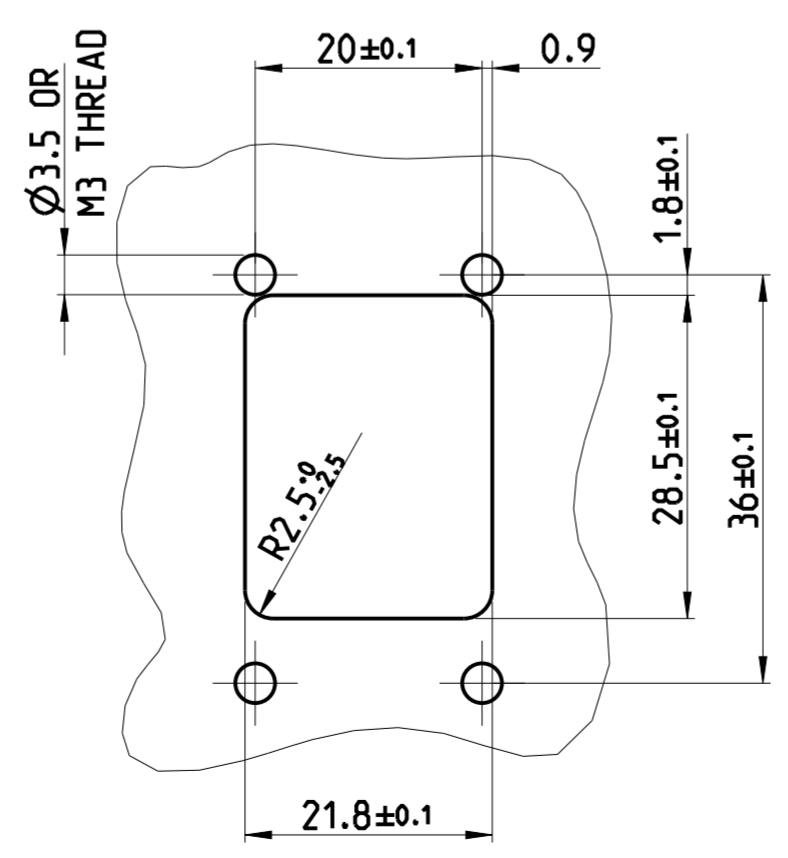
4--1 AS SHOWN  
4--1 WIE GEZEICHNET

- 1 MOUNTING-CYCLE:  
- APPLICATION SEE INSTRUCTION SHEET 411-18567
- 2 PART NOT SHOWN
- 3 PACKAGING:  
- CONNECTOR SET PACKED INTO BLISTER PACKAGE  
- BLISTER PACKAGE PACKED INTO CARTON
- 4 APPLICATION ACC. IEC 60076-3-117 AND INTERFACE DIM.
- 1 MONTAGE:  
- VERARBEITUNG SIEHE MONTAGEANWEISUNG 411-18567
- 2 TEIL NICHT DARGESTELLT
- 3 VERPACKUNG:  
- STECKER SET IN BLISTERVERPACKUNG VERPACKT  
- BLISTERVERPACKUNG IN KARTON VERPACKT
- 4 ANWENDUNG NACH IEC 60076-3-117 UND SCHNITTSTELLENMASSE

DIMENSION IN ASSEMBLED CONDITION  
MASSE IM ASSEMBLIERTEN ZUSTAND  
SCALE / M 3:2



RECOMMENDED CUT OUT  
EMPFOHLENER BLECHAUSSCHNITT  
SCALE / M 3:2



		4-2120871-1		TE ORDER-NO. BESTELL-NR.		
-	-	1	7	BLISTER PACKAGE BLISTERVERPACKUNG	-	PET PET
-	-	1	6	INSTRUCTION SHEET MONTAGEANWEISUNG	-	-
-	-	4	5	ROUND HEAD SCREW M3 LINSKOPFSCHRAUBE M3	-	STEEL STAHL
-	-	4	4	O-RING SEAL FOR IP67 PUSH PULL FRAME O-RING DICHTUNG FUER IP67 PUSH PULL RAHMEN	BLACK SCHWARZ	EPDM SHORE 70
-	-	1	3	FLAT GASKET FOR IP67 PUSH PULL FRAME FLACH DICHTUNG FUER IP67 PUSH PULL RAHMEN	BLACK SCHWARZ	EPDM SHORE 50
-	-	1	2	AMP-TWIST-6S SL JACK, SIDE EXIT, W/O DUST COVER AMP-TWIST-6S SL BUCHSE, SEITLICHER AUSGANG, W/O STAUBSCHUTZKAPPE	-	-
-	-	1	1	FRAME, PUSH PULL, VARIANT 14 METAL RAHMEN, PUSH PULL, VARIANTE 14 METALL	3-5 µm Ni OVER 8 µm Cu	ZP0410 DIM 12833
QUANTITY STUECK	ITEM-NO. POS.	DESCRIPTION BENENNUNG		SURFACE OBERFLAECHE	MATERIAL	
				COLOUR/FARBE		

THIS DRAWING IS A CONTROLLED DOCUMENT. DIMENSIONING AND TOLERANCING PER GPS (ISO STANDARDS).

DIMENSIONS: MASSE/MAßSTAB: (MM)

TOLERANCES UNLESS OTHERWISE SPECIFIED: ALLEGEHINTOLERANZEN

0 PLC	±0.2
1 PLC	±0.2
2 PLC	±0.2
3 PLC	±
4 PLC	±

ANGLES/WINKEL: ±2°  
FINISH/OBERFLAECHE/FARBE

MATERIAL: -

DWN: S. HASS 24SEP2013  
CHK: M. STRELOW 24SEP2013  
APVD: C. SCHRETTLINGER 24SEP2013

PRODUCT SPEC: 108-94207  
APPLICATION SPEC: -

WEIGHT: 84.1g  
Customer Drawing

NAME: VARIANTE 14, JACK METALL  
VARIANTE 14, JACK METALL  
CAT6, SIDE EXIT 90°

SIZE: A2  
CAGE CODE: 00779  
DRAWING NO.: C-2120871

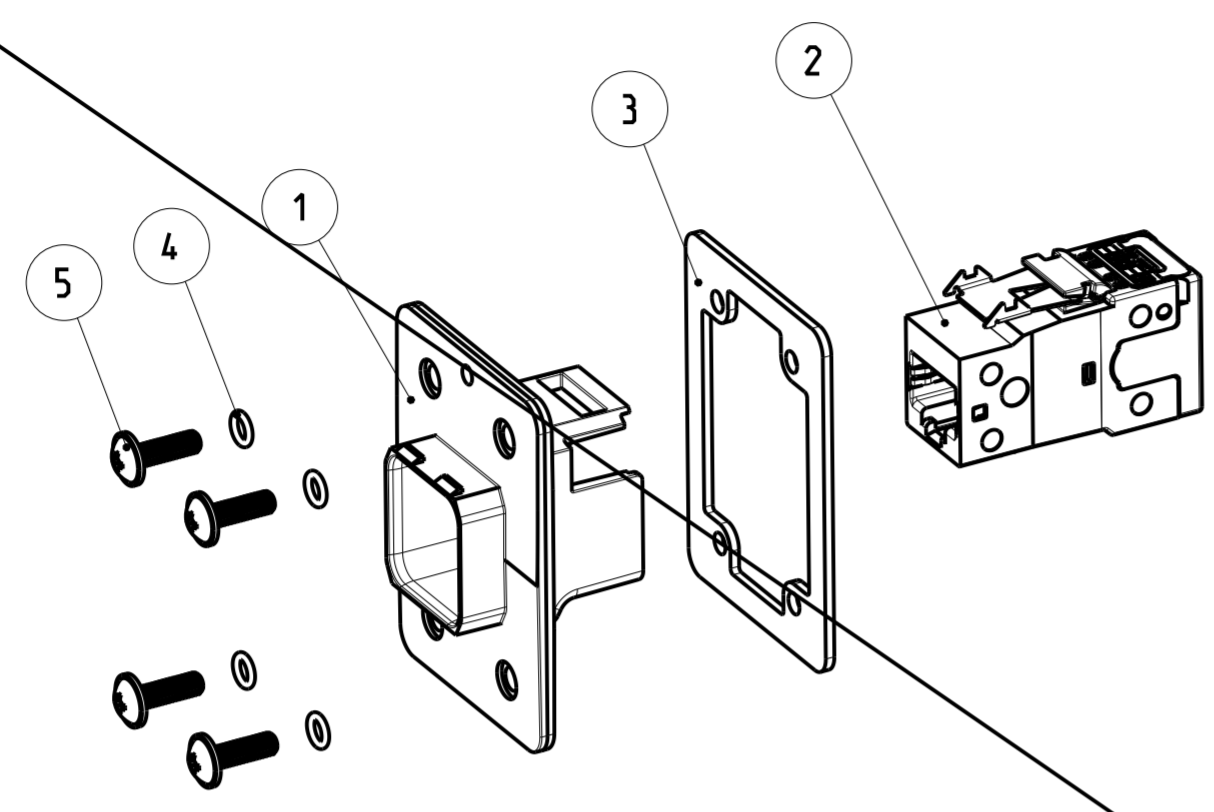
RESTRICTED TO: MUR FUER

SCALE: 1:1  
SHEET: 5 OF 6  
REV: B3

Size ISO 14405 (E)

PROJECT NO.:  
PRJ-13-000001658

REVISIONS		DATE	DWN	APVD
REVISIONEN	ÄNDERUNGEN			
DESCRIPTION	BESCHREIBUNG			
P	LTR			
-	SEE SHEET 1	-	-	-



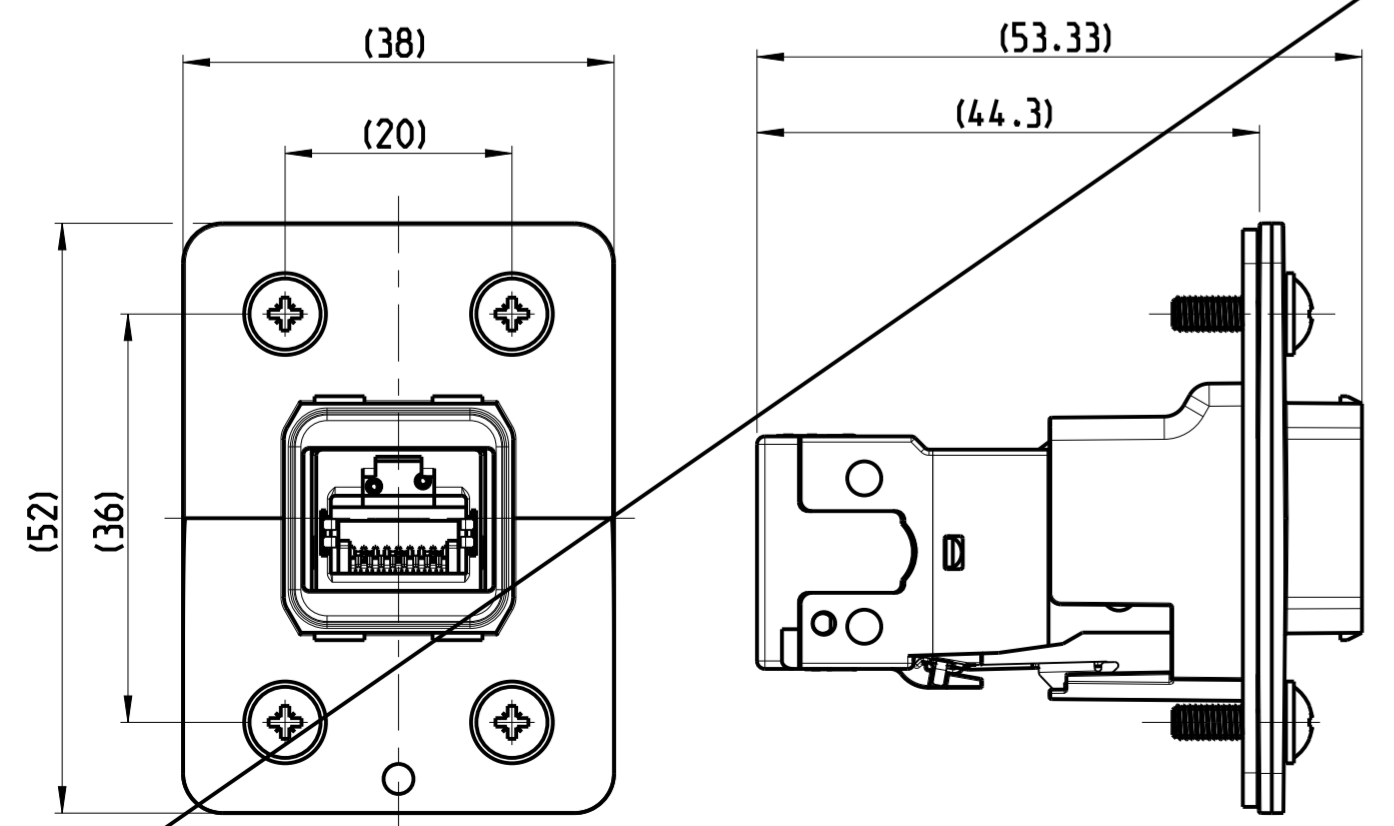
- 1 MOUNTING-CYCLE:  
- APPLICATION SEE INSTRUCTION SHEET 411-18567
  - 2 PART NOT SHOWN
  - 3 PACKAGING:  
- CONNECTOR SET PACKED INTO BLISTER PACKAGE  
- BLISTER PACKAGE PACKED INTO CARTON
  - 4 APPLICATION ACC. IEC 60076-3-117 AND INTERFACE DIM.
- 
- 1 MONTAGE:  
- VERARBEITUNG SIEHE MONTAGEANWEISUNG 411-18567
  - 2 TEIL NICHT DARGESTELLT
  - 3 VERPACKUNG:  
- STECKER SET IN BLISTERVERPACKUNG VERPACKT  
- BLISTERVERPACKUNG IN KARTON VERPACKT
  - 4 ANWENDUNG NACH IEC 60076-3-117 UND SCHNITTSTELLENMASSE

# OBSOLETE

5--1 AS SHOWN  
5--1 WIE GEZEICHNET

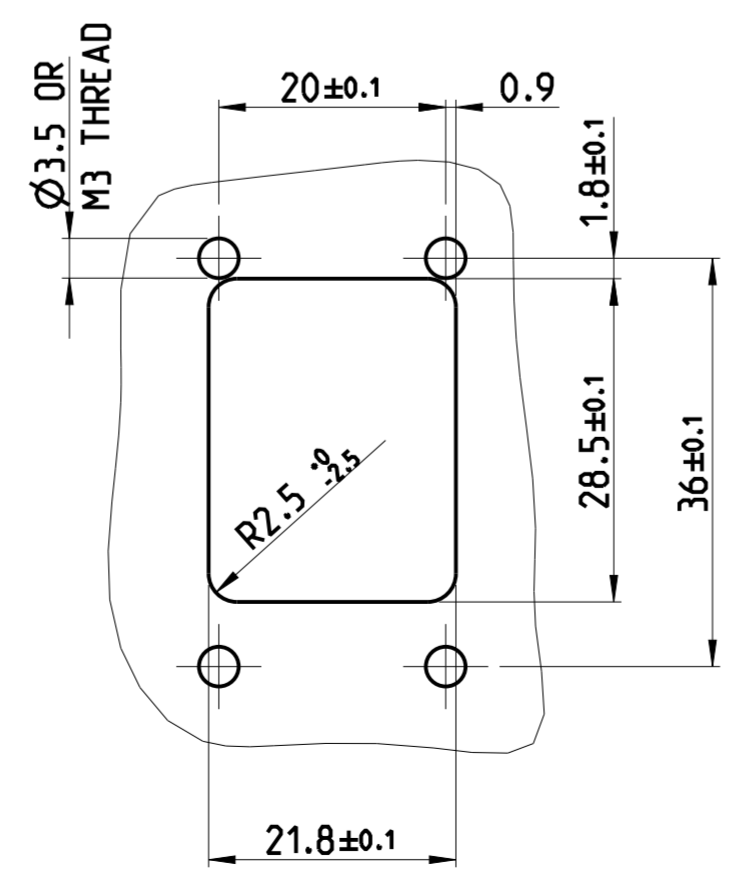
**DIMENSION IN ASSEMBLED CONDITION**  
**MASSE IM ASSEMBLIERTEN ZUSTAND**

SCALE / M 3:2



**RECOMMENDED CUT OUT**  
**EMPFOHLENER BLECHAUSSCHNITT**

SCALE / M 3:2



		5-2120871-1		TE ORDER-NO. BESTELL-NR.		
-	-	1	7	BLISTER PACKAGE BLISTERVERPACKUNG	2	PET PET
-	-	1	6	INSTRUCTION SHEET MONTAGEANWEISUNG	1, 2	-
-	-	4	5	ROUND HEAD SCREW M3 LINSENKOPFSCHRAUBE M3	-	STEEL STAHL
-	-	4	4	O-RING SEAL FOR IP67 PUSH PULL FRAME O-RING DICHTUNG FÜR IP67 PUSH PULL RAHMEN	-	BLACK SCHWARZ
-	-	1	3	FLAT GASKET FOR IP67 PUSH PULL FRAME FLACH DICHTUNG FÜR IP67 PUSH PULL RAHMEN	-	BLACK SCHWARZ
-	-	1	2	AMP-TWIST-6S SL JACK, W/O DUST COVER AMP-TWIST-6S SL BUCHSE, W/O STAUBSCHUTZKAPPE	-	-
-	-	1	1	FRAME, PUSH PULL, VARIANTE 14 METAL RAHMEN, PUSH PULL, VARIANTE 14 METALL	-	3-5 µm Ni OVER 8 µm Cu
QUANTITY STUECK		ITEM-NO. POS.		DESCRIPTION BENENNUNG		SURFACE OBERFLAECHE
						COLOUR/FARBE
						MATERIAL

THIS DRAWING IS A CONTROLLED DOCUMENT.  
 DIMENSIONING AND TOLERANCING PER GPS (ISO STANDARDS)

DIMENSIONS: MASSE/MAßSTÄBE: [mm]	TOLERANCES UNLESS OTHERWISE SPECIFIED: ALLGEMEINE TOLERANZEN	DWN S. HASS 24SEP2013	 TE Connectivity
MATERIAL	FINISH/OBERFLAECHE/FARBE	CHK M. STRELOW 24SEP2013	
		APVD C. SCHREITLINGER 24SEP2013	

PRODUCT SPEC: 108-94207  
 APPLICATION SPEC: -  
 WEIGHT: 67.9g  
 Customer Drawing

NAME: VARIANTE 14, JACK METAL  
 VARIANTE 14, JACK METAL  
 CAT6, EXIT 180°

SIZE: A2 CAGE CODE: 00779 DRAWING NO.: C-2120871  
 SCALE: 1:1 SHEET: 6 OF 6 REV: B3

## X-ON Electronics

Largest Supplier of Electrical and Electronic Components

*Click to view similar products for [Modular Connectors / Ethernet Connectors](#) category:*

*Click to view products by [TE Connectivity](#) manufacturer:*

Other Similar products are found below :

[8949-H88/06BLKA/SN](#) [74441-0010/BKN](#) [MP1010RX-1000](#) [MP44RX-1000](#) [PHJ-4P4C-1-V-4](#) [PHP-6P6C-5](#) [GAX-3-66](#) [GAX-8-62](#) [GDCX-PA-66-50](#) [GDCX-PN-64](#) [GDCX-PN-66](#) [GDCX-PN-66-50](#) [GDLX-A-66](#) [GDLX-N-66](#) [GDLX-S-66](#) [GDLX-S-88K](#) [GDLX-SMT-S-88](#) [GDTX-S-88-50](#) [GDX-PA-1010](#) [GLX-N-1010M-BLK](#) [GLX-S-88M-BLK](#) [GMX-N-1010](#) [GMX-S-1010](#) [GMX-S-66](#) [GMX-SMT4-N-88](#) [GPX-2-64](#) [GSGX-N-2-88](#) [GSGX-N-4-88](#) [GSX-NS2-88-3.05](#) [GSX-NS2-88-3.05-50](#) [GSX-NS-88-3.05-50](#) [PT-108A-8C-UL](#) [PT-J951-8C](#) [PTS-J531-8CS-50UL](#) [1-1775629-2](#) [A-2014-0-4](#) [GWLX-S-88-GR](#) [GWLX-S9-88-YG](#) [DC-1021-8-WH-6](#) [1300530003](#) [1324640-4](#) [RJ11FTVC2G](#) [RJ11FTVC2N](#) [RJFTVX2SA1G](#) [132764-001](#) [1413235](#) [MP88X-1000](#) [MPS88RX-5000](#) [E5288-S000K3-L](#) [E5908-15A242-L](#)