

THIS DRAWING IS UNPUBLISHED. VERTRAULICHE UNVERÖFFENTLICHTE ZEICHNUNG. RELEASED FOR PUBLICATION FREI FÜR VERÖFFENTLICHUNG. 2014. DATED WITH PASSEND ZU. ALL RIGHTS RESERVED. ALLE RECHTE VORBEHALTEN. COPYRIGHT 2014 Tyco Electronics AMP GmbH

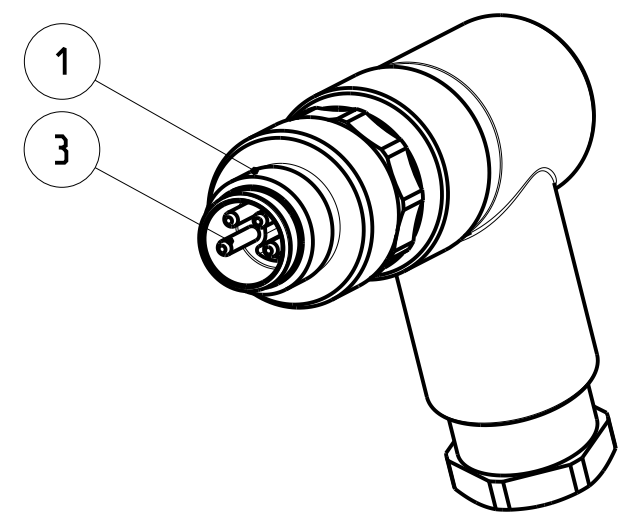
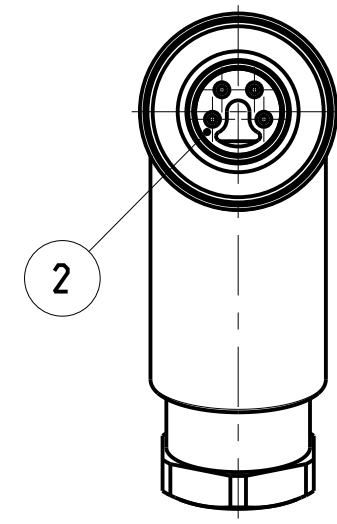
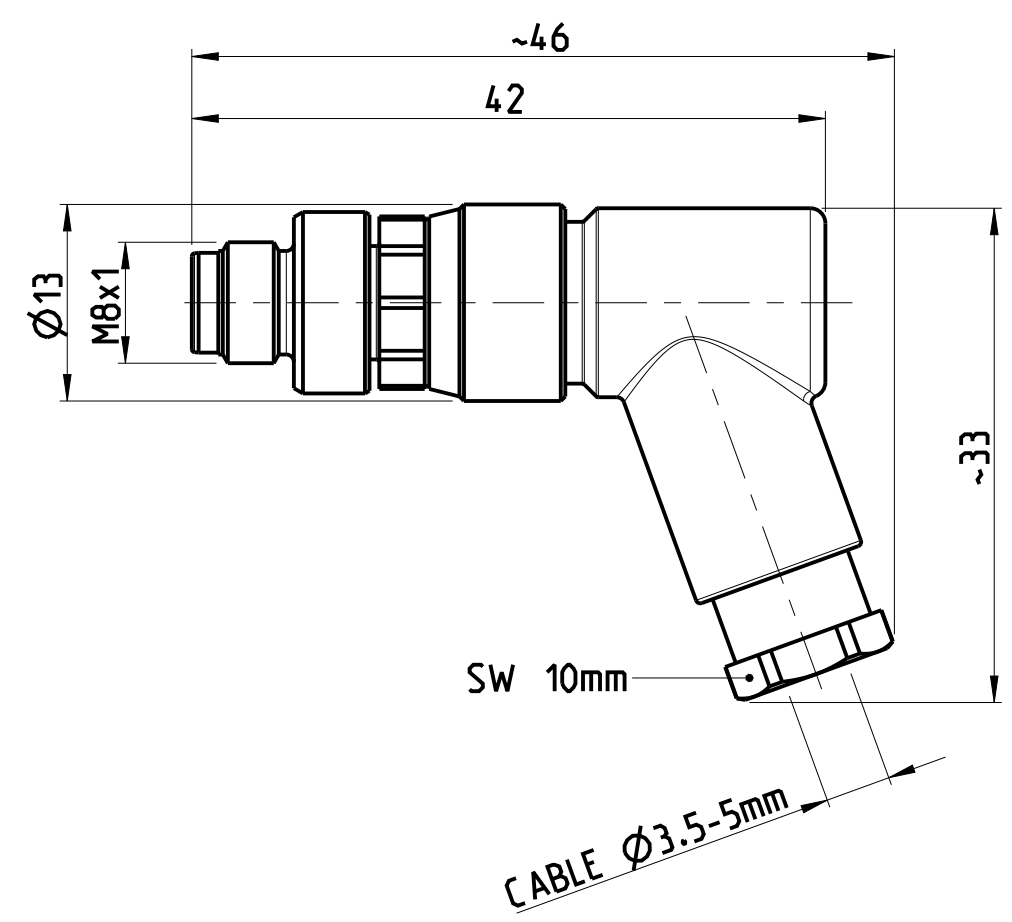
PROJECT NO.: PRJ-14-00000805

REVISIONS		DATE	DWN	APVD
NO.	DESCRIPTION			
A1	NEW DRAWING	07MAY2014	YR	CS

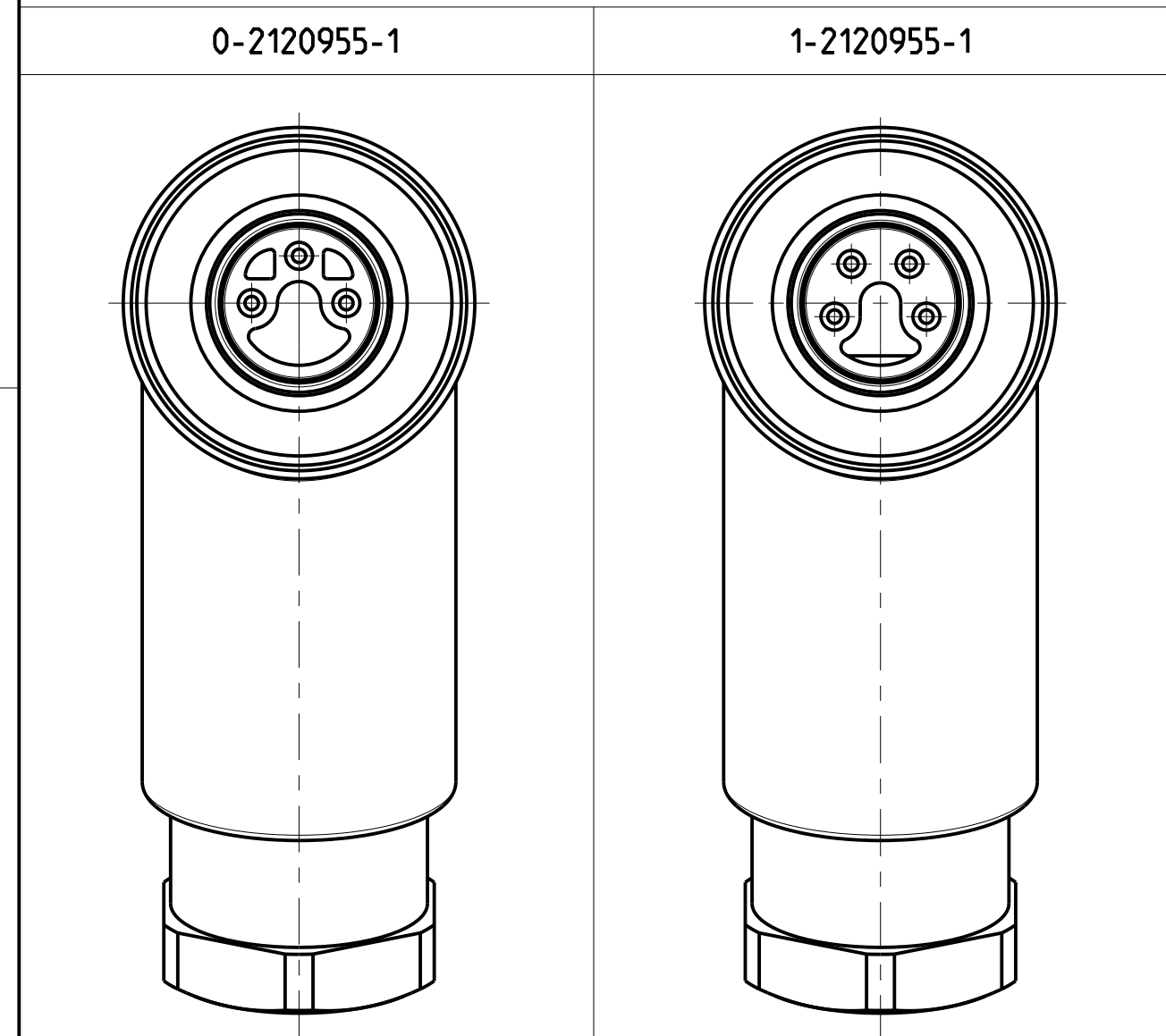
- 1 MATERIAL: ITEM NO. 1: HOUSING - PBT  
 ITEM NO. 2: CONTACT BODY - PA  
 ITEM NO. 3: CONTACT - CuZn (brass)  
 CONTACT FINISH - Au (gold)

- 2 ALL DIMENSIONS ARE FOR NOMINAL REFERENCE ONLY UNLESS OTHERWISE STATED  
 3 MEASUREMENT REFERENCE ONLY  
 4 PACKAGING: 1 PIECE IN A BAG

TECHNICAL DATA	0-2120955-1	1-2120955-1
RATED VOLTAGE	60V	30V
RATED IMPULSE VOLTAGE	800V	800V
POLLUTION DEGREE	3	3
OVERVOLTAGE CATEGORY	II	II
MATERIAL GROUP	III	III
RATED CURRENT	4A	4A
VOLUME RESISTIVITY	≤ 3mΩ	≤ 3mΩ
DEGREE OF PROTECTION	IP67	IP67
UPPER TEMPERATURE	+85°C	+85°C
LOWER TEMPERATURE	-40°C	-40°C



PIN ARRANGEMENT (SCALE 4:1)



3.5-5	⚠	4	1-2120955-1
3.5-5	⚠	3	0-2120955-1
CABLE FEED-THROUGH	MATERIAL	NUMBER OF POLES	TE-PART-NO.

1-1 AS SHOWN WIE GEZEICHNET

SIZE ISO 14405 (E)

DIESE ZEICHNUNG IST EIN KONTROLLIERTES DOKUMENT. BEMASSUNGEN UND TOLERANZEN GEMAESS GPS (ISO STANDARDS). THIS DRAWING IS A CONTROLLED DOCUMENT. DIMENSIONING AND TOLERANCING PER GPS (ISO STANDARDS).

DIMENSIONS: MASSSTÄBE: (mm)	TOLERANCES UNLESS OTHERWISE SPECIFIED: ALLGEMEINTOLERANZEN	DWN YASHKUMAR 07MAY2014	TE Connectivity
		CHK M. STRELOW 07MAY2014	
		APVD C. SCHRETLINGER 07MAY2014	
MATERIAL	ANGLES/WINKEL	NAME	M8 MALE 90 DEG ANGLED FIELD INSTALLABLE, UNSHIELDED CONNECTOR, SOLDER TERMINALS.
	FINISH/OBERFLÄCHE/FARBE	SIZE	A2
		CAGE CODE	00779
		DRAWING NO. ZEICHNUNGS-NR.	C-2120955
		WEIGHT GEWICHT	
		Customer Drawing	KUNDENZEICHNUNG
		SCALE MASSSTAB	2:1
		SHEET BLATT	1 OF 1
		REV	A1

## X-ON Electronics

Largest Supplier of Electrical and Electronic Components

*Click to view similar products for [Circular Metric Connectors](#) category:*

*Click to view products by [TE Connectivity](#) manufacturer:*

Other Similar products are found below :

[600X518037X](#) [6STD15PCR99B70A](#) [8R4000A16M020](#) [8R5000A16M005](#) [1200910002](#) [1203580030](#) [1200910008](#) [1200910011](#) [1300140094](#)  
[130203-0054](#) [1300140026](#) [1300150099](#) [RF-12S1N8A90DU](#) [1-3637-600-5205](#) [1612618](#) [21036836414](#) [8R4006A16M010](#) [8R5006A18A120](#)  
[1604232](#) [1R3006A20M005](#) [RF-12P1N8A80DU](#) [RF-12P1N8A90DU](#) [41-40011](#) [42-01015](#) [4-22279-4](#) [4-22281-1](#) [4-22284-9](#) [43-00113](#) [43-](#)  
[01088](#) [43-01203](#) [41-40013](#) [42-00008](#) [43-00343](#) [43-01032](#) [43-01162](#) [43-10000](#) [600X518050X](#) [SACC-DSI-FS-5P-PG9-L180 SC](#)  
[8R5006A16M020](#) [8R5006A16M005](#) [8R4000A16M010](#) [6-22279-3](#) [1605332](#) [N03FA03144](#) [1300140077](#) [43-01338](#) [XS2RD4265](#) [RSC 4/9](#)  
[XS2R-D426-1](#) [XS8A-0441](#)