

4

3

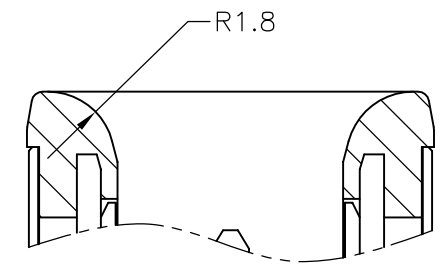
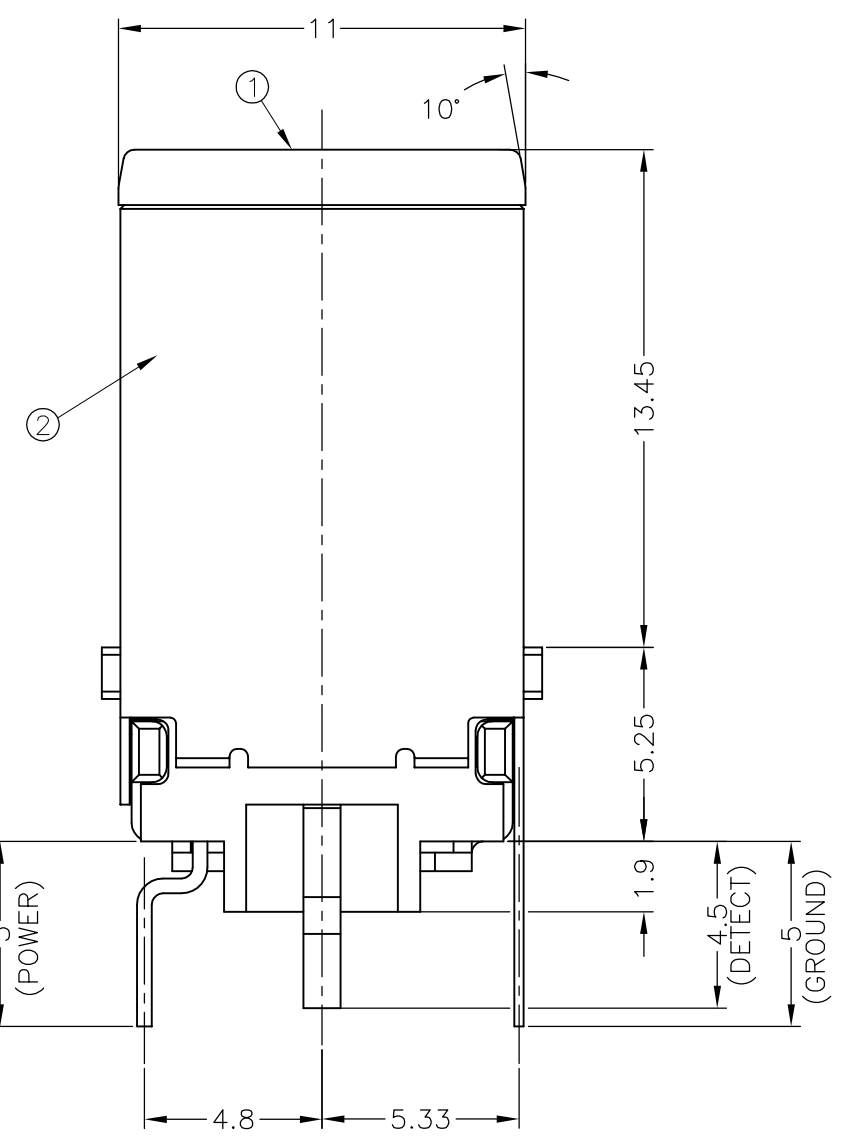
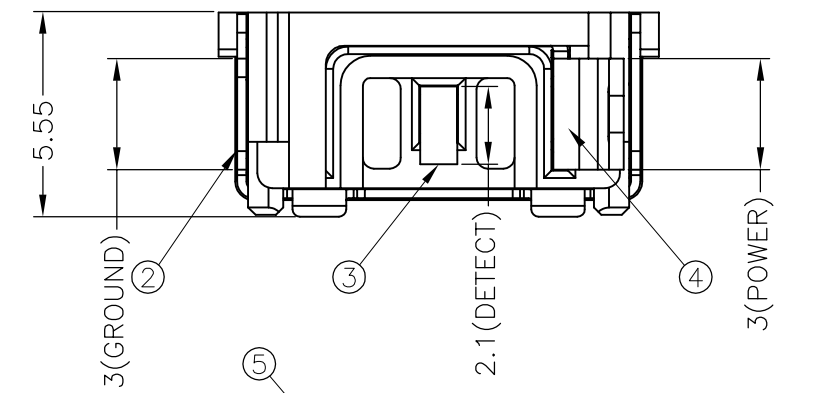
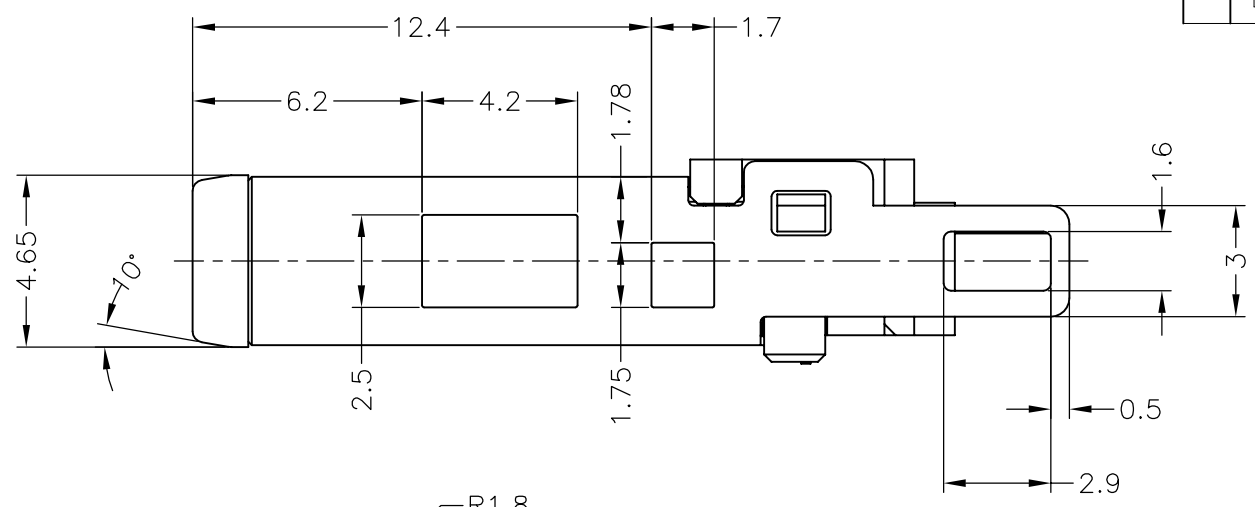
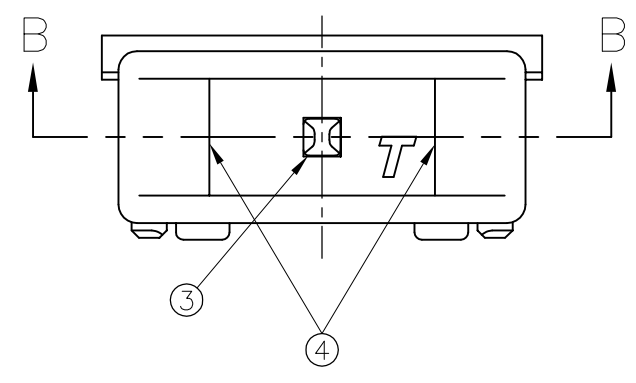
2

1

THIS DRAWING IS UNPUBLISHED. RELEASED FOR PUBLICATION
 © COPYRIGHT - By - ALL RIGHTS RESERVED.

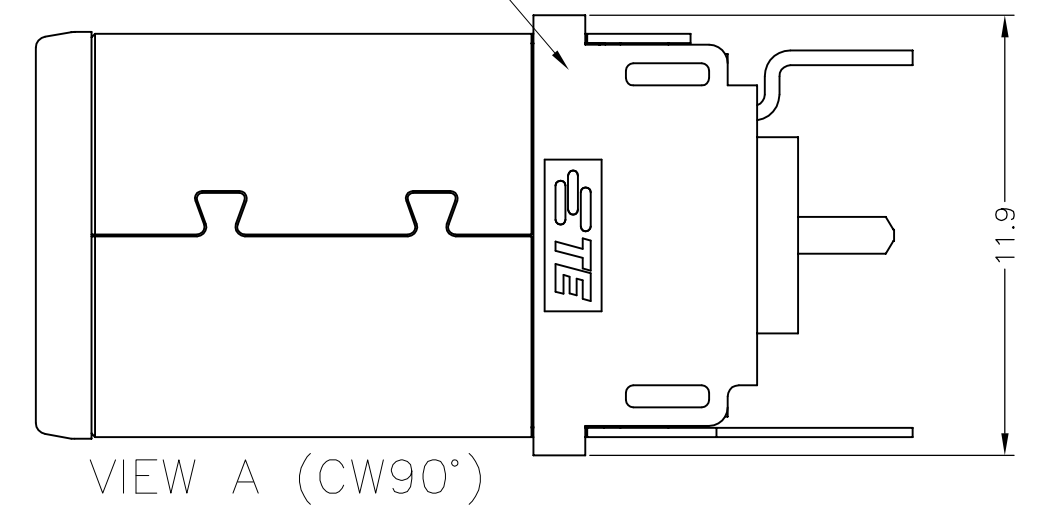
LOC	DIST	REVISIONS					
DW		P	LTR	DESCRIPTION	DATE	DW	
		B5		ECR-19-010885	21AUG15	J.Z	J.L

VIEW A



B-B

A'SSY P/N		Q'TY	FINISH/COLOR	MATERIAL	PART NAME	NO
1-2129334-2	1-2129334-1	1	NATURAL	THERMOPLASTIC (UL94V-0)	REAR HOUSING	⑤
OBSELETE		1	0.0002mm GOLD PLATING ON CONTACT AREA, 0.002mm MATTE TIN PLATING ON SOLDER AREA, 0.002mm MIN. NICKEL UNDERPLATED ALL OVER	COPPER ALLOY	POWER CONTACT	④
		1	0.0002mm GOLD PLATING ON CONTACT AREA, 0.002mm MATTE TIN PLATING ON SOLDER AREA, 0.002mm MIN. NICKEL UNDERPLATED ALL OVER	COPPER ALLOY	DETECT CONTACT	③
		1	0.002mm MATTE TIN PLATING ON SOLDER AREA, 0.002mm MIN. NICKEL UNDERPLATED ALL OVER	COPPER ALLOY	GROUND CONTACT	②
		1	BLACK	THERMOPLASTIC (UL94V-0)	HOUSING	①
		1	YELLOW	THERMOPLASTIC (UL94V-0)		



THIS DRAWING IS A CONTROLLED DOCUMENT.

DIMENSIONS:	TOLERANCES UNLESS OTHERWISE SPECIFIED:
mm	
	0 PLC ±
	1 PLC ±
	2 PLC ±0.25
	3 PLC ±3°
	4 PLC ±
	ANGLES ±
MATERIAL	FINISH
SEE TABLE	

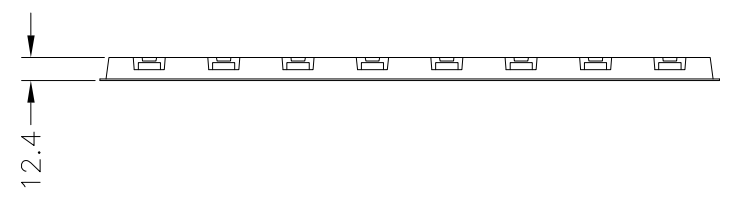
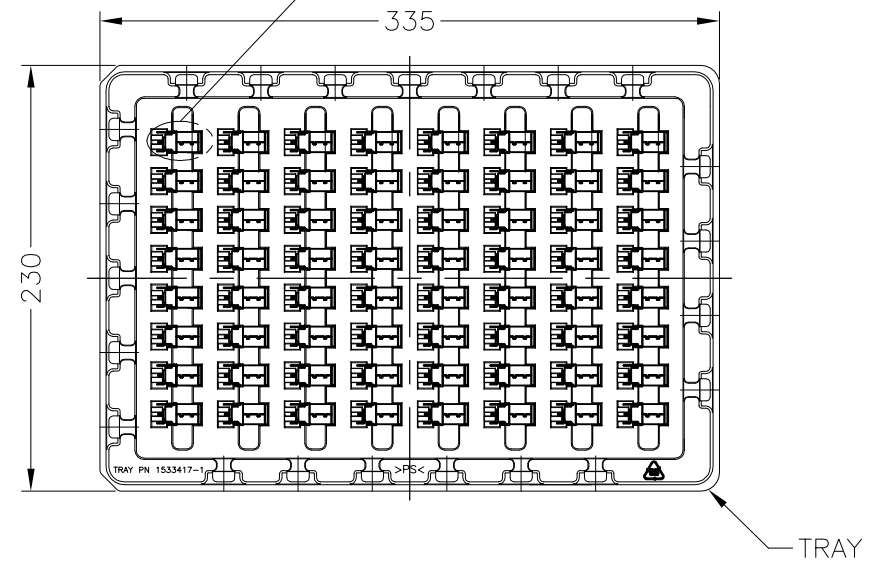
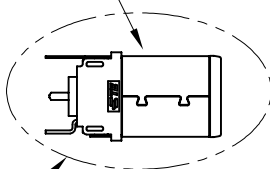
DWN	S.HUANG	24FEB2012
CHK	V.PENG	24FEB2012
APVD	W.KODAMA	24FEB2012
PRODUCT SPEC		
APPLICATION SPEC		
WEIGHT		

STE TE Connectivity			
DC POWER PLUG CONNECTOR			
SIZE	CAGE CODE	DRAWING NO	RESTRICTED TO
A3	00779	C-2129334	
CUSTOMER DRAWING	SCALE	SHEET	REV
	5:1	1 of 2	B5

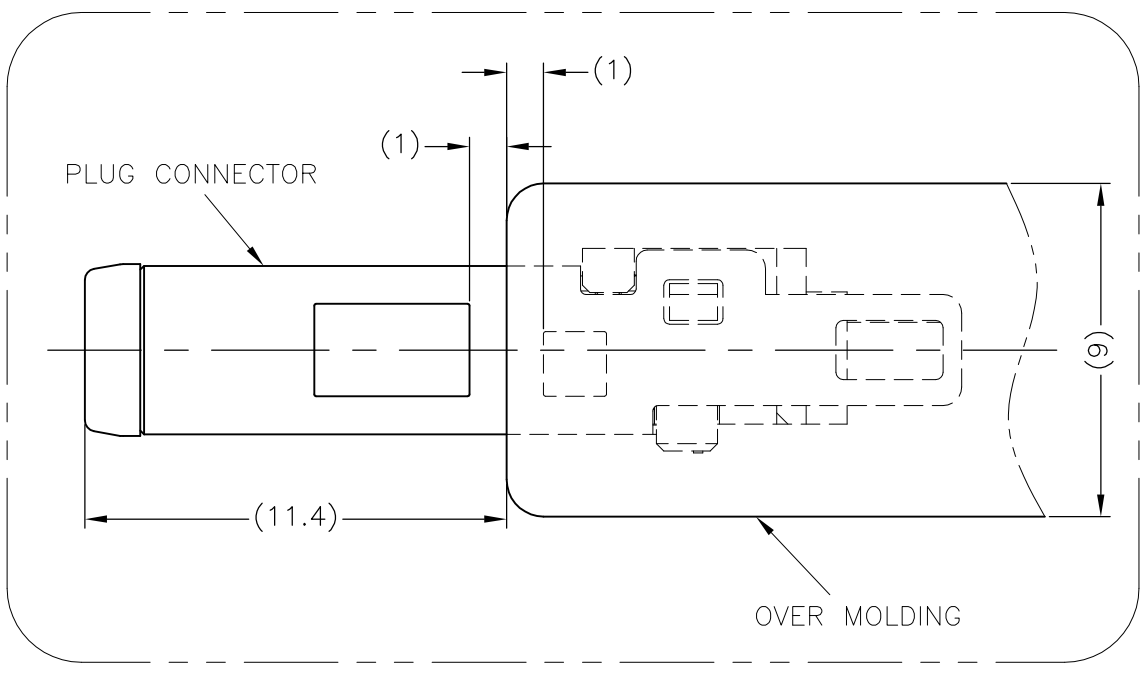
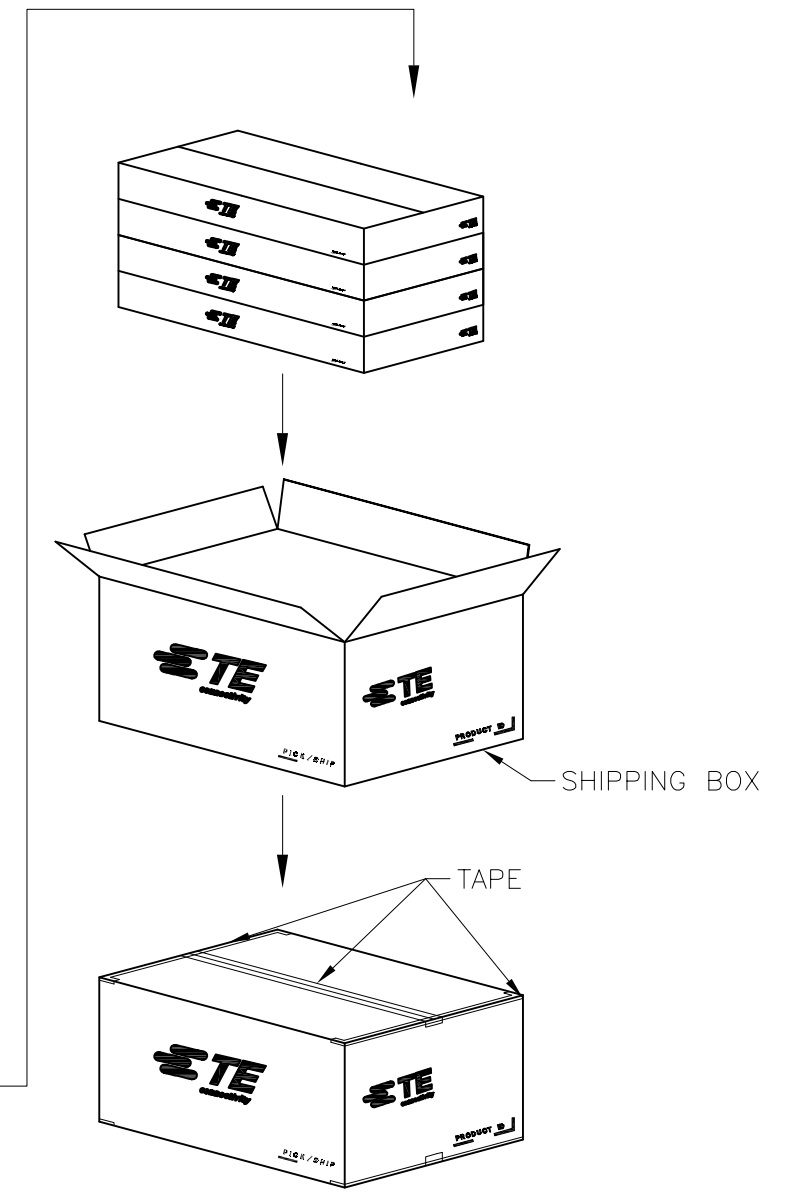
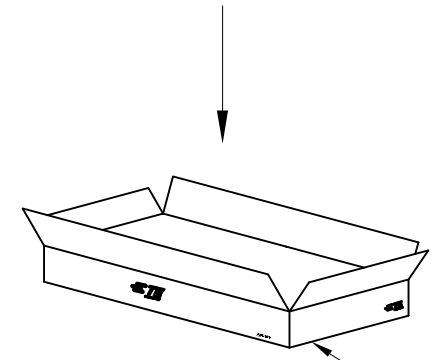
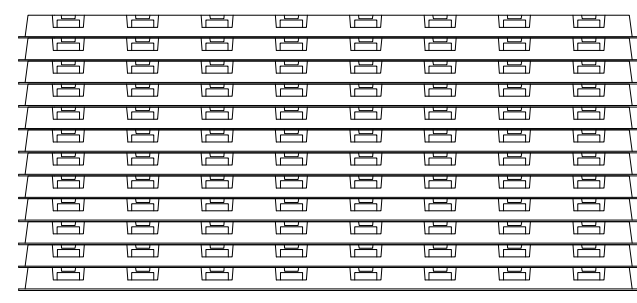
ING IS UNPUBLISHED. RELEASED FOR PUBLICATION
 GHT - By - ALL RIGHTS RESERVED.

LOC	DIST	REVISIONS					
DW		P	LTR	DESCRIPTION	DATE		
		-	-	SEE SHEET 1	-	-	-

DC POWER PLUG CONNECTOR
 TE P/N: 1-2129334-1
 OR 1-2129334-2



- INNER BOX DIMENSION: 340mmX243mmX111mm
 - SHIPPING BOX DIMENSION: 505mmX350mmX248mm
 - EU ROHS-RELATED RESTRICTED SUBSTANCE SPEC IN HOMOGENEOUS MATERIAL REFER TO TEC-138-702 REV.G:
 LEAD < 1000PPM, CADMIUM < 100PPM, MERCURY < 1000PPM
 CHROMIUM VI < 1000PPM, PBB <1000PPM, PBDE < 1000PPM
 - HALOGEN FREE SPEC:
 CHLORINE (Cl): 900 ppm MAX.
 BROMINE (Br): 900 ppm MAX.
 CHLORINE (Cl) + BROMINE (Br): 1500 ppm MAX.
- ⚠️ PRODUCT SPEC:
 108-99035 FOR 7A CURRENT RATING.
 108-99040 FOR 10.7A CURRENT RATING.



64	768	4	3072
PCS/TRAY	PCS/INNER BOX	INNER BOX/SHIPPING BOX	TOTAL Q'TY

THIS DRAWING IS A CONTROLLED DOCUMENT.

DWN	TE Connectivity
CHK	
APVD	
PRODUCT SPEC	
APPLICATION SPEC	
WEIGHT	

NAME: DC POWER PLUG CONNECTOR

SIZE	CAGE CODE	DRAWING NO	RESTRICTED TO
A3	00779	C-2129334	

CUSTOMER DRAWING SCALE: NA SHEET: 2 of 2 REV: B5

X-ON Electronics

Largest Supplier of Electrical and Electronic Components

Click to view similar products for [DC Power Connectors](#) category:

Click to view products by [TE Connectivity](#) manufacturer:

Other Similar products are found below :

[RAPC3FG](#) [B04P-VL-VN-1.8](#) [1600206-1](#) [163-0302](#) [163-0310-EX](#) [163-1100-EX](#) [163-4012-EX](#) [163-4024](#) [163-4117-EX](#) [163-5005-E](#) [163-7421](#) [163-MJ22-EX](#) [171-0721-EX](#) [171-3118-EX](#) [173-23507-ST-EX](#) [KLDVX-SMT-02-ATR](#) [KLDX-SMT-0202-BP](#) [KLDX-SMT-0202-BPTR](#) [163-0179-EX](#) [163-0307-E](#) [163-1000-EX](#) [163-4015-EX](#) [163-4119-E](#) [171-0722-E](#) [171-3218-EX](#) [171-7391](#) [173-3413-ST-EX](#) [RAPCBRK](#) [K596](#) [KLD-0201-BC](#) [KLDVX-SMT-02-BTR](#) [KPPX-D](#) [RAPC3MHG](#) [RASM752TRX](#) [163-4800-E](#) [4C6831AX](#) [ACJS-HHDR-AU](#) [TS3PNJ](#) [DC-025LM-5A-2.5](#) [CL14218R](#) [AS250F RED](#) [DC-105-4A-1.6](#) [163-0210A-E](#) [09441](#) [AS120-F](#) [09442](#) [AS120-M](#) [CP30240](#) [TAMIYA-M](#) [TAMIYA-MT1](#) [TAMIYA-MT2](#) [4840.1200](#)