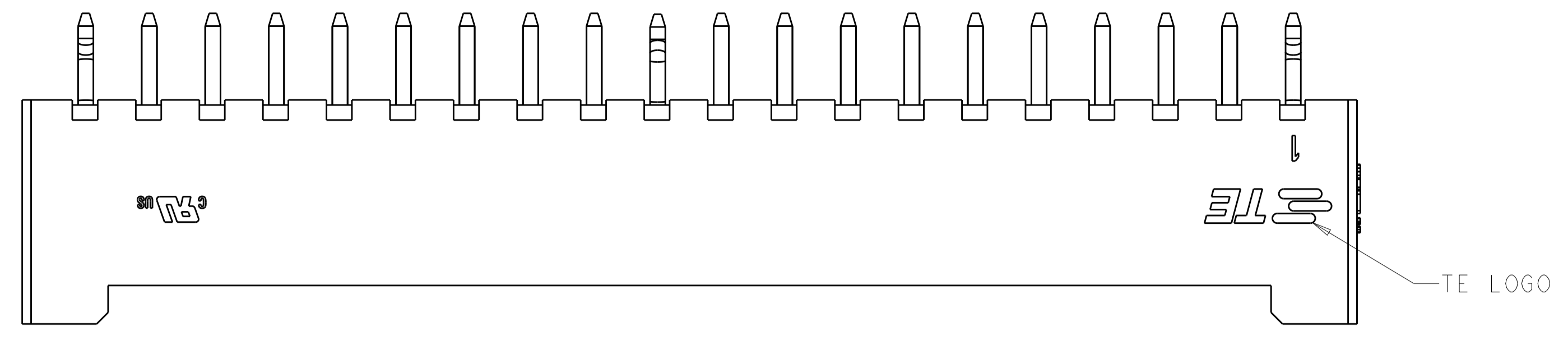
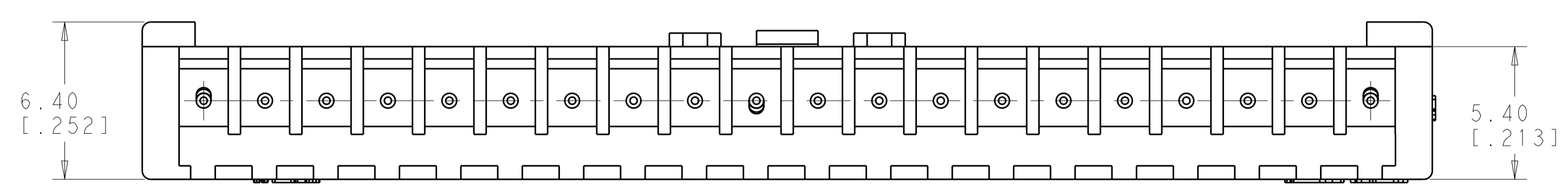
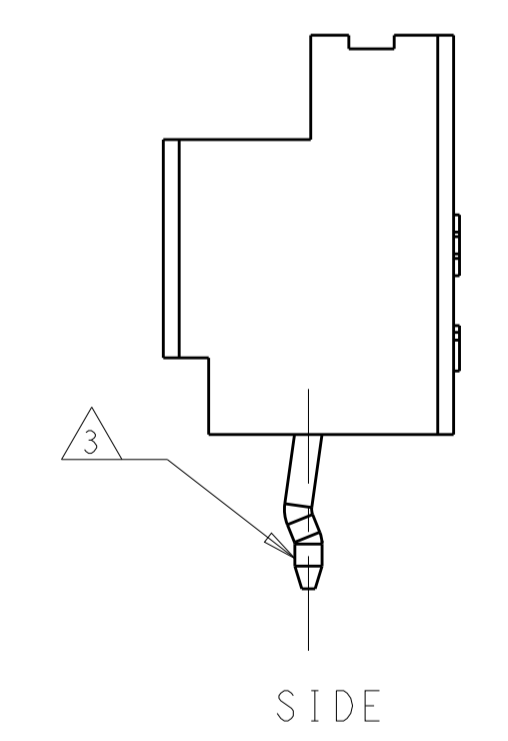
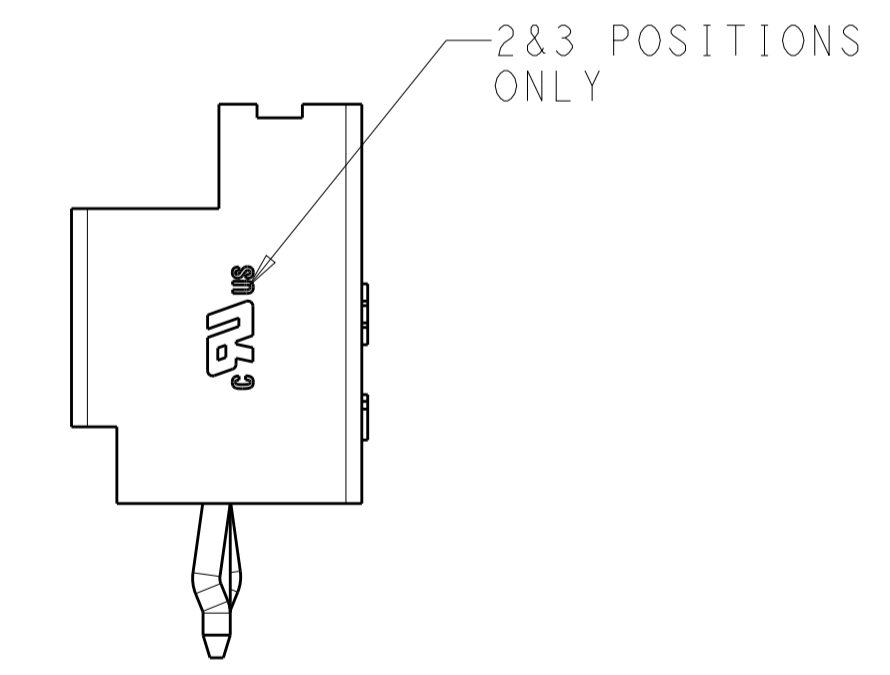
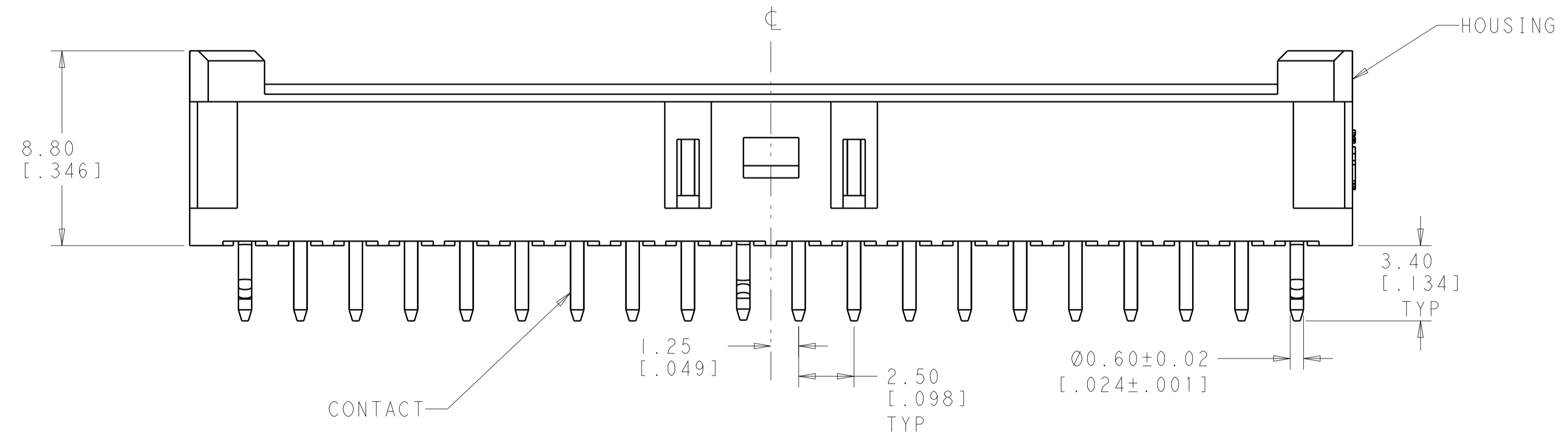
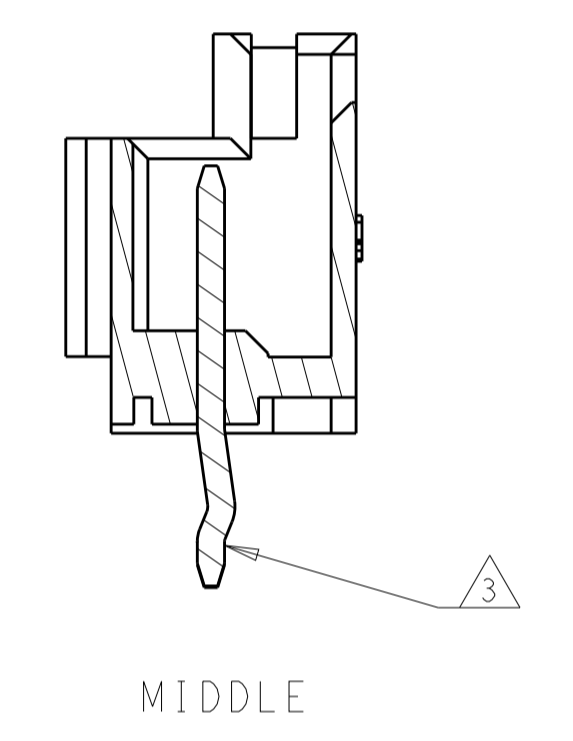
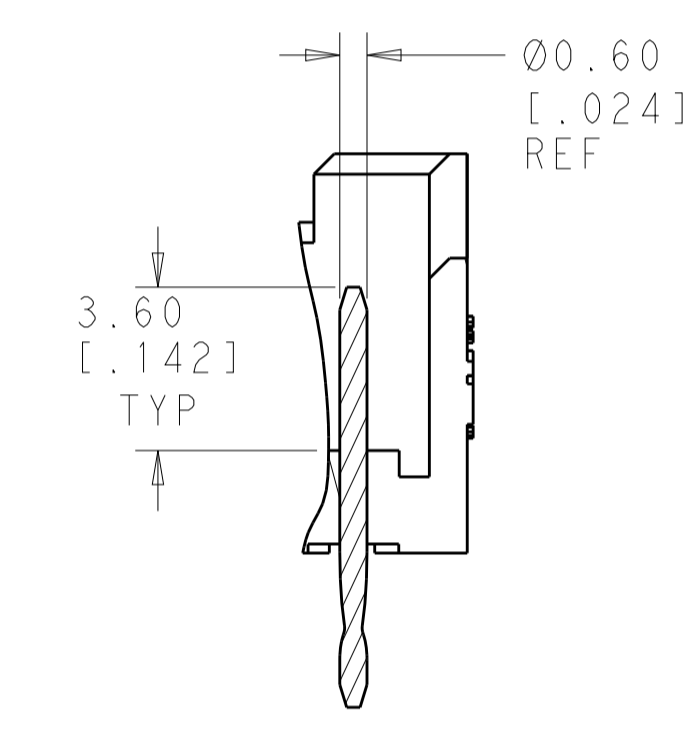
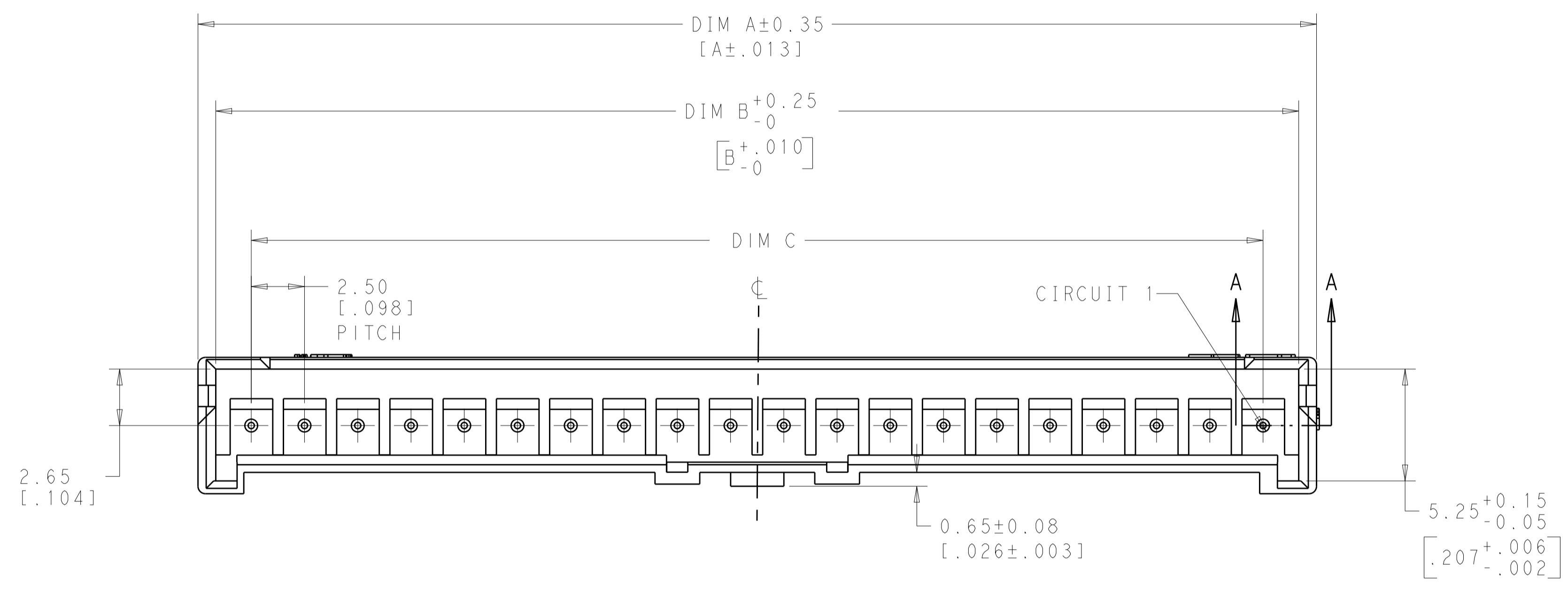


| REVISIONS | | | | | |
|-----------|-----|---------------------------|-----------|------|------|
| P. | LTN | DESCRIPTION | DATE | DMN | APVD |
| | D4 | REVISED PER ECR-17-014071 | 30DEC2017 | W, H | D, Z |

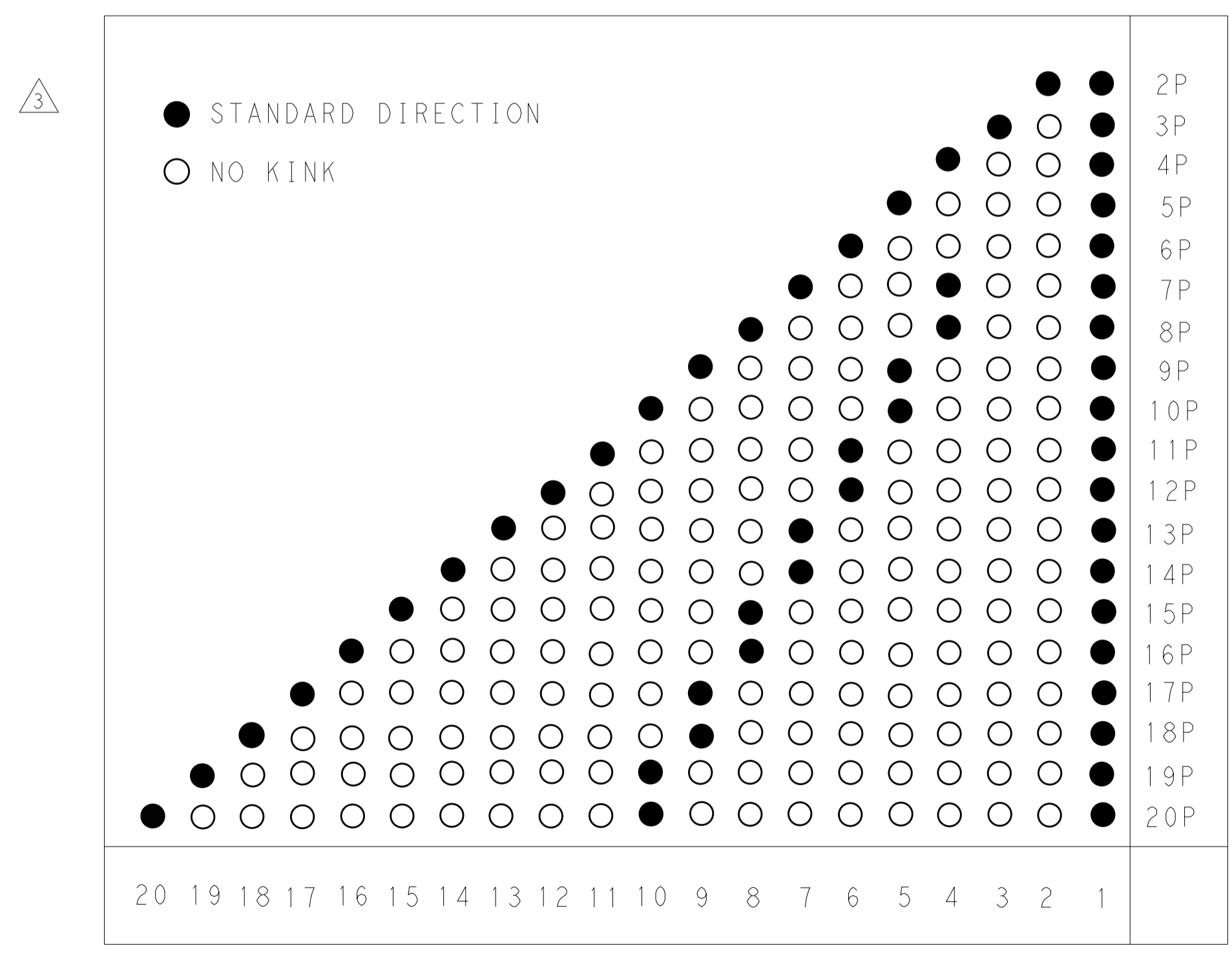
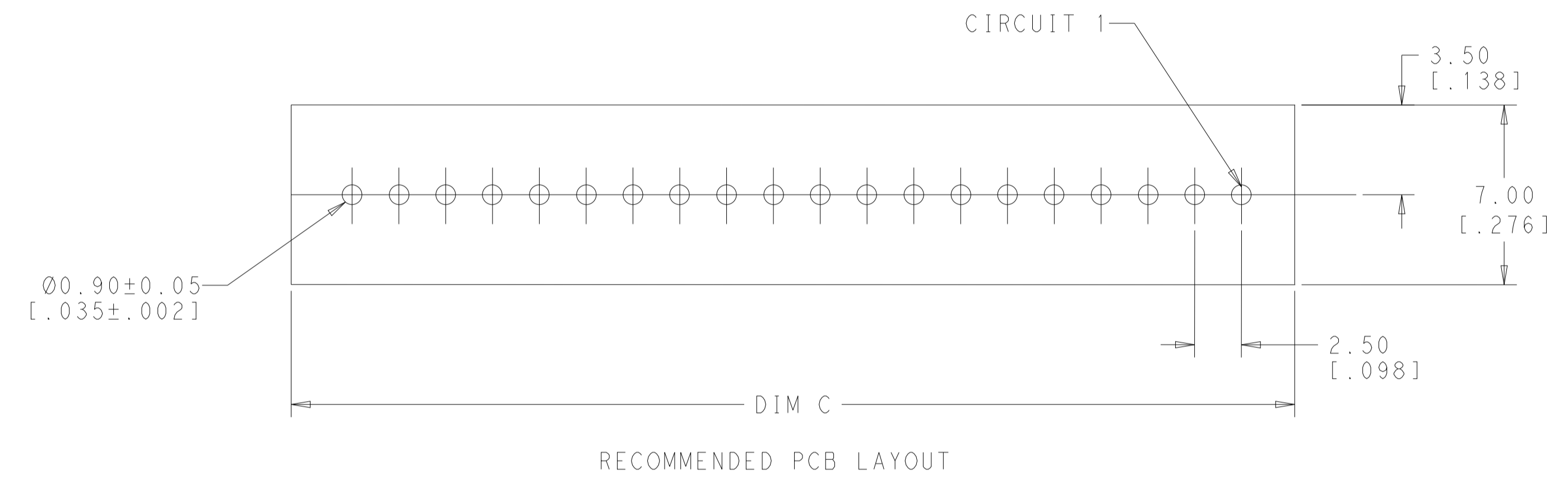
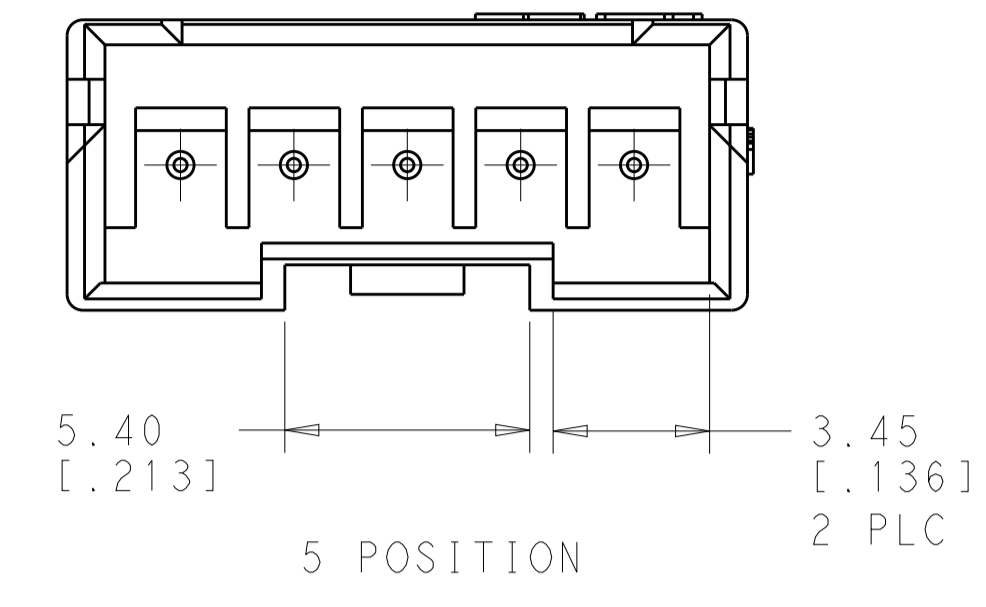
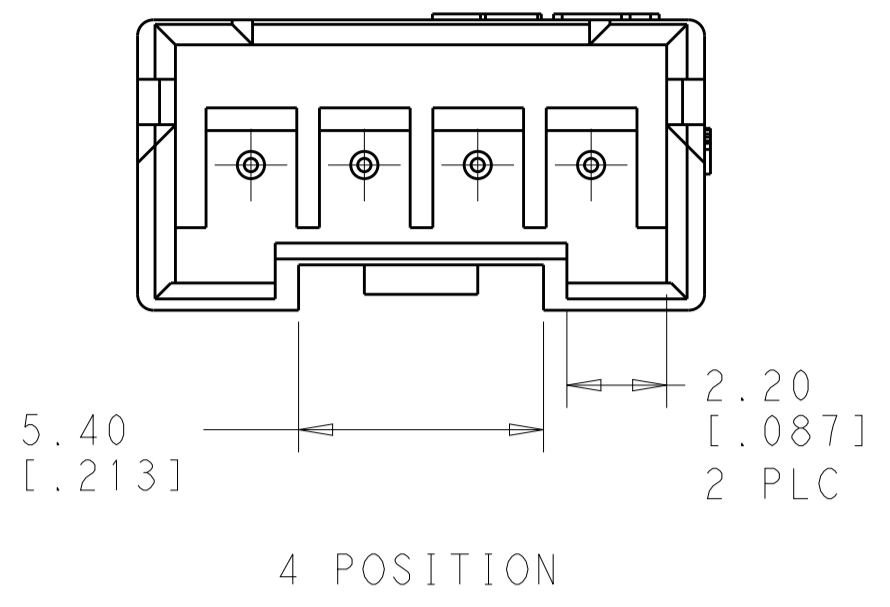
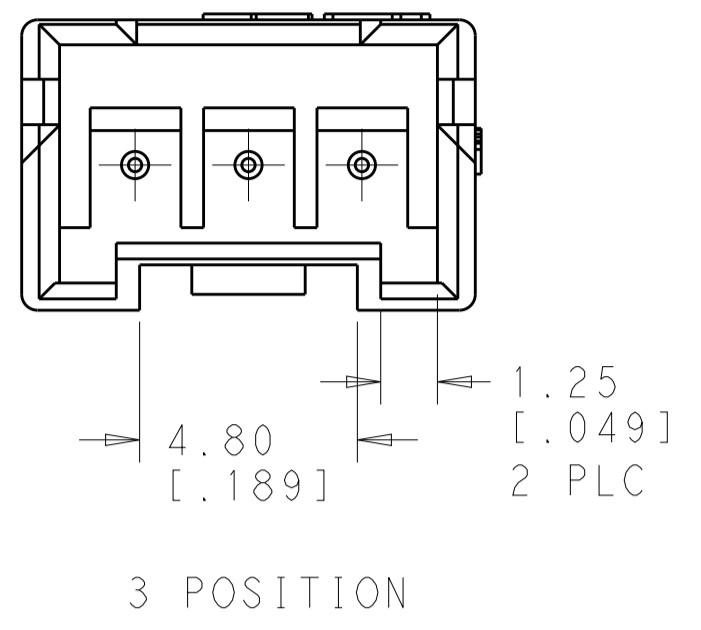
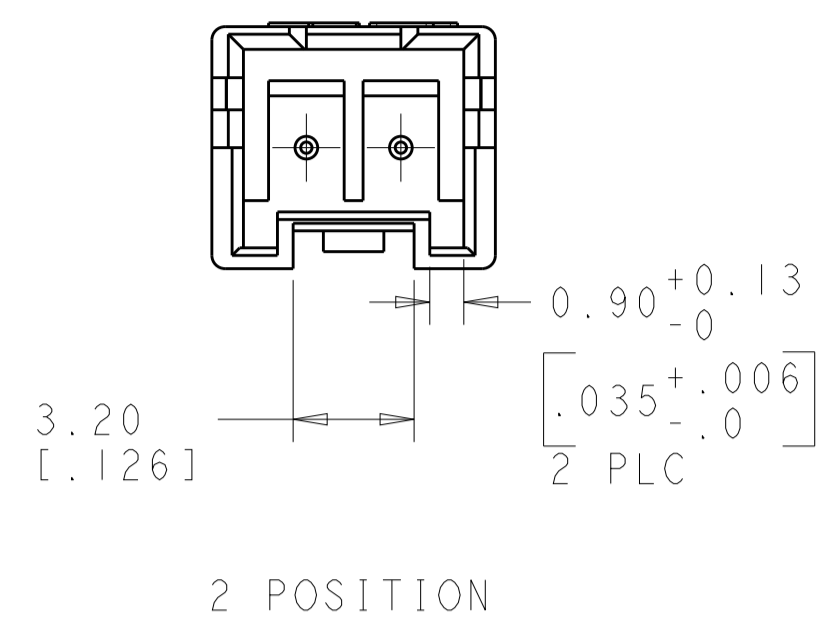


- 1 MATERIAL: HOUSING: HIGH PERFORMANCE RESIN, UL94V-0, NATURAL.
CONTACT: BRASS, NICKEL UNDER PLATING,
TIN PLATING ON PIN AREA.
- 2 CONTACT RETENTION: 20 NEWTON [4.5 lbf] MIN.
- 3 CONTACT SOLDER TAIL KINK DIRECTION SEE BELOW TABLE.



| | | | | |
|--|--|-----------------------------|---|--------------------|
| THIS DRAWING IS A CONTROLLED DOCUMENT. | | DMN: RAGHAVENDRA 06JAN11 | TE Connectivity NAME: HEADER ASSEMBLY, VERTICAL, ECONOMY POWER, 2.5mm CENTERLINE | |
| DIMENSIONS: mm [INCHES] | | CHK: MACE SAMUEL 06JAN11 | | |
| TOLERANCES UNLESS OTHERWISE SPECIFIED: | | APVD: MACE SAMUEL 06JAN11 | PRODUCT SPEC: 108-2418 | |
| 0 PLC ±0.50 | | APPLICATION SPEC: 114-13315 | | SIZE: A1 |
| 1 PLC ±0.30 | | WEIGHT: - | | CAGE CODE: 2132415 |
| 2 PLC ±0.20 | | CUSTOMER DRAWING | | SCALE: 6:1 |
| 3 PLC ±0.10 | | RESTRICTED TO: | | SHEET 1 OF 2 |
| 4 PLC ± | | REV: D4 | | |
| ANGLES ±° | | | | |
| FINISH: - | | | | |

| REVISIONS | | | | |
|-----------|-----|-------------|------|------|
| P. | LTN | DESCRIPTION | DATE | APPD |
| - | - | SEE SHEET 1 | - | - |



| | | | | |
|--------------|--------------|--------------|-----|-------------|
| 47.50[1.870] | 50.83[2.001] | 52.50[2.067] | 20 | 2-2132415-0 |
| 45.00[1.772] | 48.33[1.903] | 50.00[1.968] | 19 | 1-2132415-9 |
| 42.50[1.673] | 45.83[1.804] | 47.50[1.870] | 18 | 1-2132415-8 |
| 40.00[1.575] | 43.33[1.706] | 45.00[1.772] | 17 | 1-2132415-7 |
| 37.50[1.476] | 40.83[1.607] | 42.50[1.673] | 16 | 1-2132415-6 |
| 35.00[1.378] | 38.33[1.510] | 40.00[1.575] | 15 | 1-2132415-5 |
| 32.50[1.280] | 35.83[1.411] | 37.50[1.476] | 14 | 1-2132415-4 |
| 30.00[1.181] | 33.33[1.312] | 35.00[1.378] | 13 | 1-2132415-3 |
| 27.50[1.083] | 30.83[1.214] | 32.50[1.280] | 12 | 1-2132415-2 |
| 25.00[.984] | 28.33[1.115] | 30.00[1.181] | 11 | 1-2132415-1 |
| 22.50[.886] | 25.83[1.016] | 27.50[1.083] | 10 | 1-2132415-0 |
| 20.00[.787] | 23.33[.919] | 25.00[.984] | 9 | 2132415-9 |
| 17.50[.689] | 20.83[.820] | 22.50[.886] | 8 | 2132415-8 |
| 15.00[.591] | 18.33[.722] | 20.00[.787] | 7 | 2132415-7 |
| 12.50[.492] | 15.83[.623] | 17.50[.689] | 6 | 2132415-6 |
| 10.00[.395] | 13.33[.525] | 15.00[.591] | 5 | 2132415-5 |
| 7.50[.295] | 10.83[.426] | 12.50[.492] | 4 | 2132415-4 |
| 5.00[.197] | 8.33[.328] | 10.00[.395] | 3 | 2132415-3 |
| 2.50[.098] | 5.83[.229] | 7.50[.295] | 2 | 2132415-2 |
| DIM C | DIM B | DIM A | POS | PART NO |

THIS DRAWING IS A CONTROLLED DOCUMENT.

OWN: RAGHAVENDRA 06JAN11
CHK: MACE SAMUEL 06JAN11
APVD: MACE SAMUEL 06JAN11

DIMENSIONS: mm [INCHES]
TOLERANCES UNLESS OTHERWISE SPECIFIED:
0 PLC ±0.50
1 PLC ±0.30
2 PLC ±0.20
3 PLC ±0.10
4 PLC ±.05
ANGLES ±°
FINISH ±μ"

MATERIAL: -
FINISH: -

THIS DRAWING IS A CONTROLLED DOCUMENT. DWN: RAGHAVENDRA 06JAN11
CHK: MACE SAMUEL 06JAN11
APVD: MACE SAMUEL 06JAN11

NAME: HEADER ASSEMBLY, VERTICAL, ECONOMY POWER, 2.5mm CENTERLINE

PRODUCT SPEC: 108-2418
APPLICATION SPEC: 114-13315

SIZE: A1
CAGE CODE: 100779
DRAWING NO: 2132415
RESTRICTED TO: -

CUSTOMER DRAWING
SCALE: 6:1
SHEET: 2 OF 2
REV: D4

X-ON Electronics

Largest Supplier of Electrical and Electronic Components

Click to view similar products for [Headers & Wire Housings](#) category:

Click to view products by [TE Connectivity](#) manufacturer:

Other Similar products are found below :

[892-18-020-10-001101](#) [58102-G61-06LF](#) [582553-1](#) [0009485154](#) [009176003701906](#) [0050291907](#) [LY20-4P-DT1-P1E-BR](#) [02.125.8002.8](#)
[609-3404](#) [61062-3](#) [61082-181009](#) [622-3653LF](#) [63453-116](#) [636-1030](#) [636-1427](#) [636-3427](#) [636-4007](#) [641938-9](#) [641991-4](#) [644827-2](#) [65817-010LF](#) [65817-015LF](#) [65863-015LF](#) [66207-023LF](#) [67095-007LF](#) [67601157](#) [68645-018](#) [68648-049](#) [70.362.1628.0](#) [70-4210](#) [70-4226B](#) [70-4853B](#) [707-5020](#) [707-5028](#) [71.350.2428.0](#) [71918-208LF](#) [71961-016LF](#) [733-134](#) [733-162](#) [754199-000](#) [760-3052](#) [787-8014-00](#) [79531-3000](#)
[FCN-360C032-B](#) [FCN-367T-T012/H](#) [FCN-723D010/2](#) [80.063.4001.1](#) [800-90-001-10-001000](#) [800-90-010-10-002000](#) [801-43-002-10-013000](#)