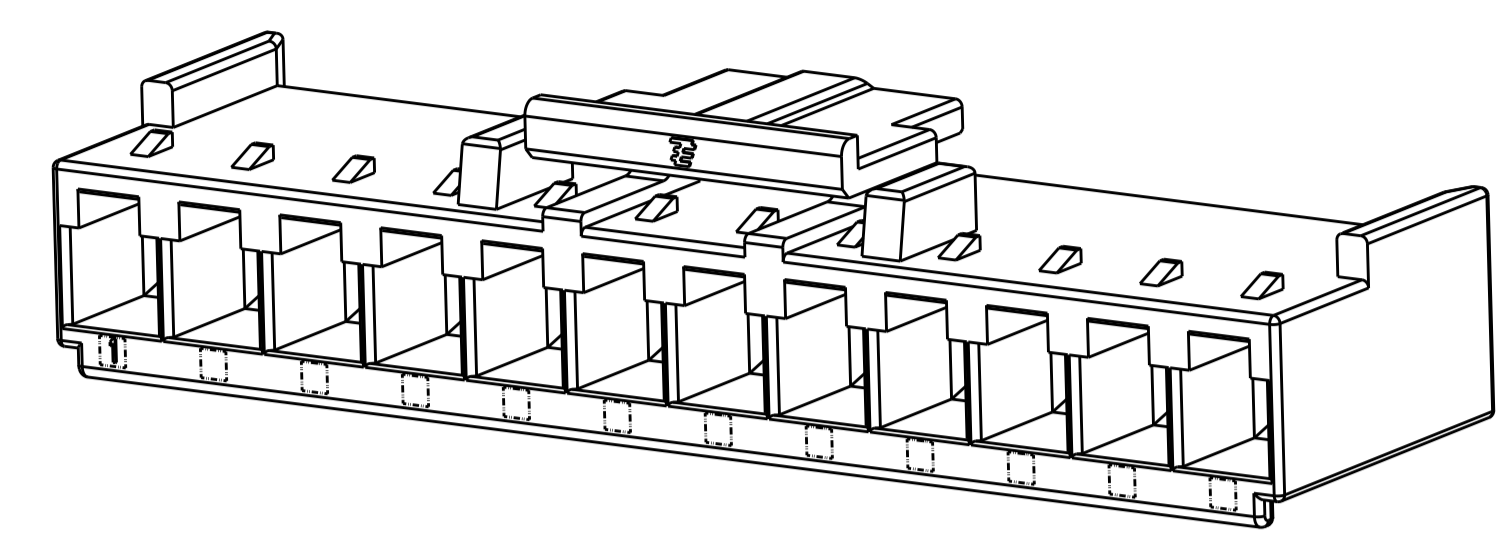
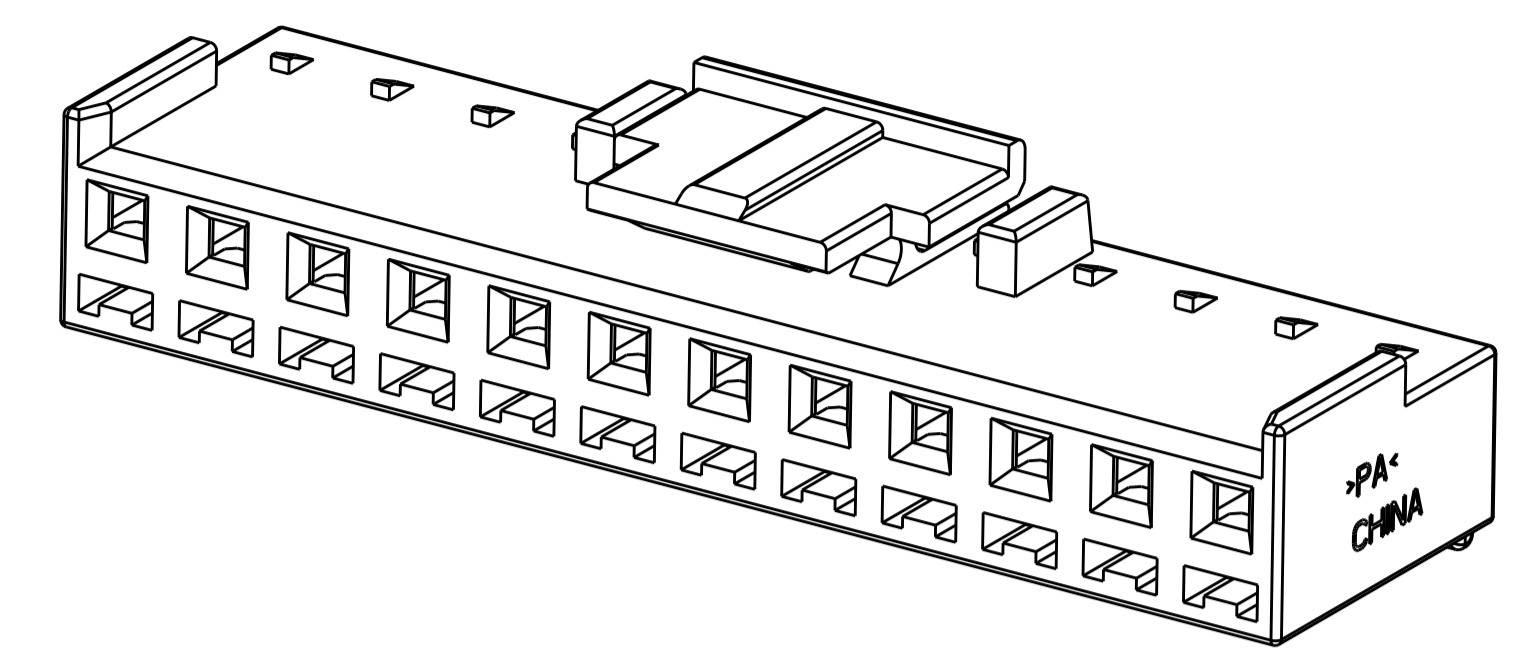


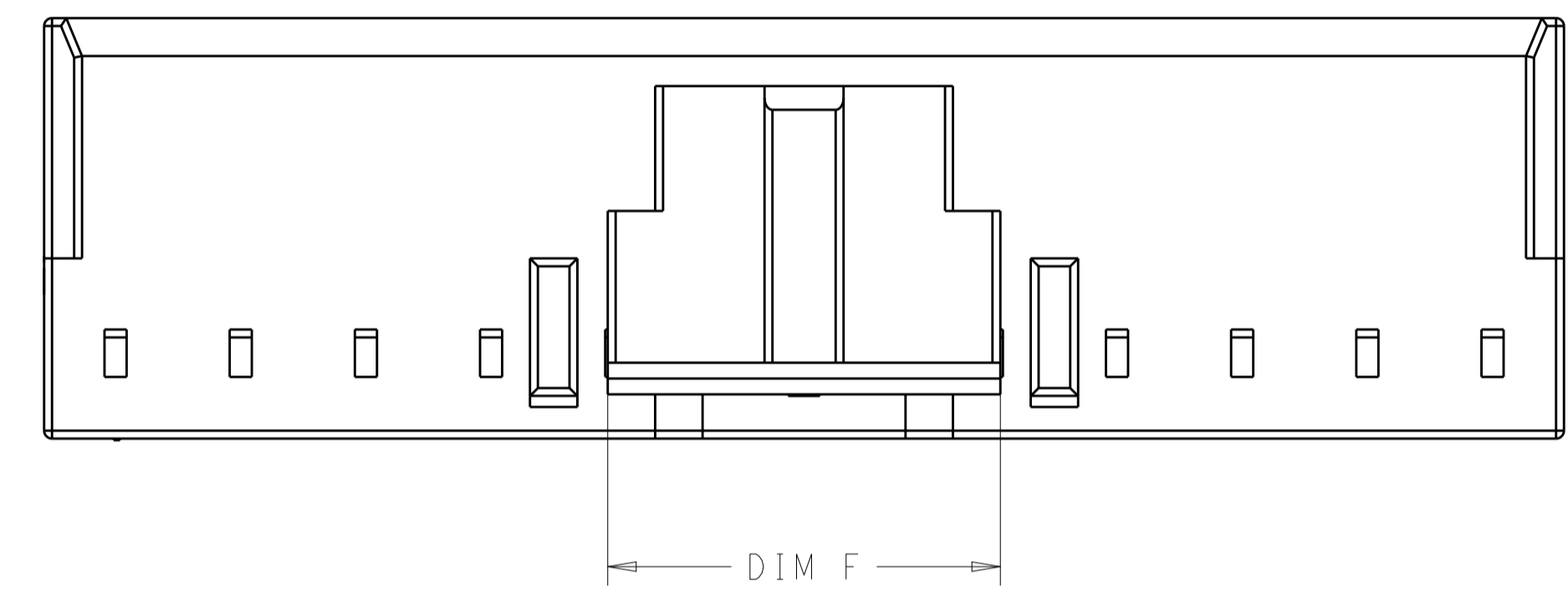
LOC		DIST		REVISONS			
P	LTN	DESCRIPTION	DATE	DWN	APVD		
GP	00	D1	REVISED PER ECR-18-005503	30MAY2018	BDA	SG	



ISOMETRIC REAR VIEW
(12 POSITION SHOWN)



ISOMETRIC MATING FACE VIEW
(12 POSITION SHOWN)



DIM F

△ MATERIAL: NYLON, UL94V-0 FLAME RETARDENT, COLOR: NATURAL

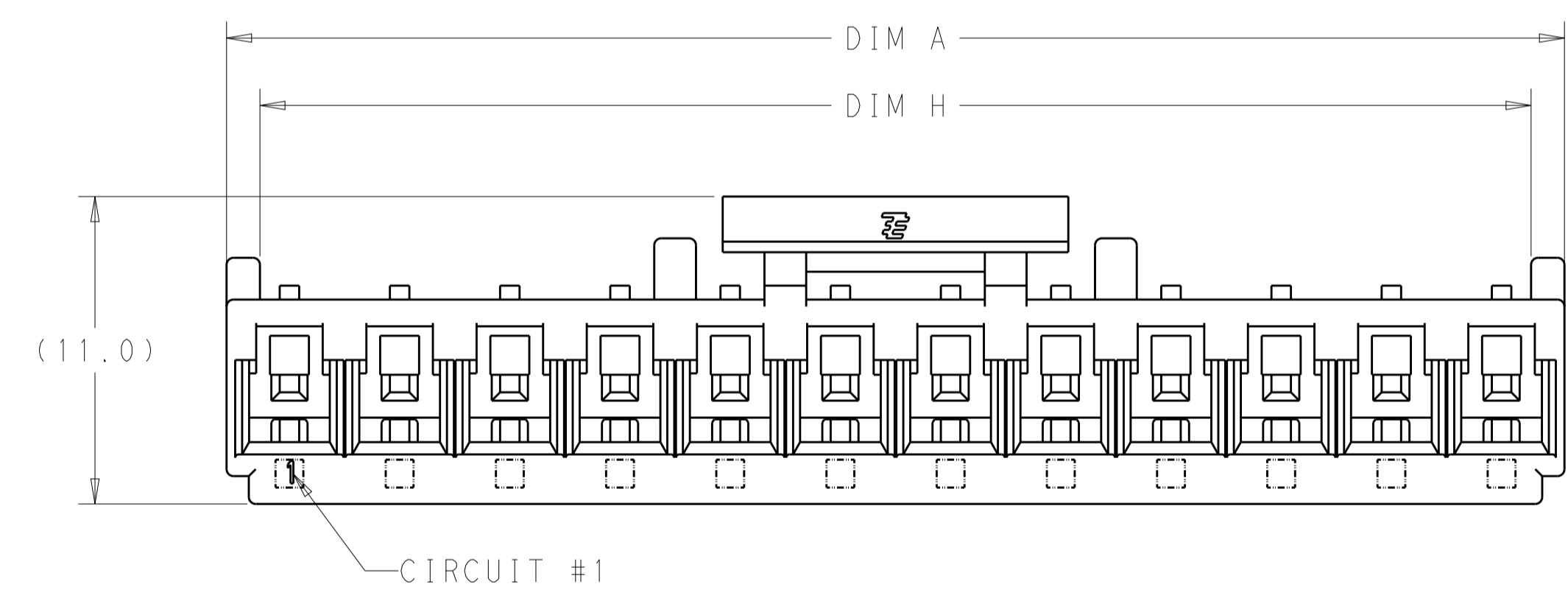
2 HOUSINGS TO USE "RETAINER":

"BREAKAWAY RETAINER" P/N: 1-2132782-2 (12 POSITION),
 12 POSITION PART TO BE SEPERATED AT APPROPRIATE NOTCHES TO FIT
 2 POSITION THRU 11 POSITION HOUSINGS

"NORMAL RETAINER" P/N: X-1744544-X
 WHERE XX IS THE NUMBER OF POSITIONS.

△ MEETS UL 61800-5-1

Flam	RTIe deg C	HWI	HAI	CTI
V0	130	PLC3	PLC1	PLC0_UL746

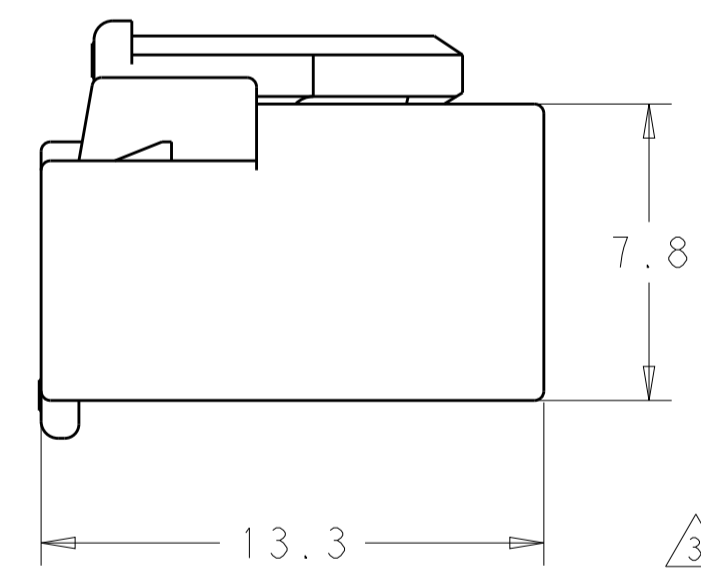


DIM A

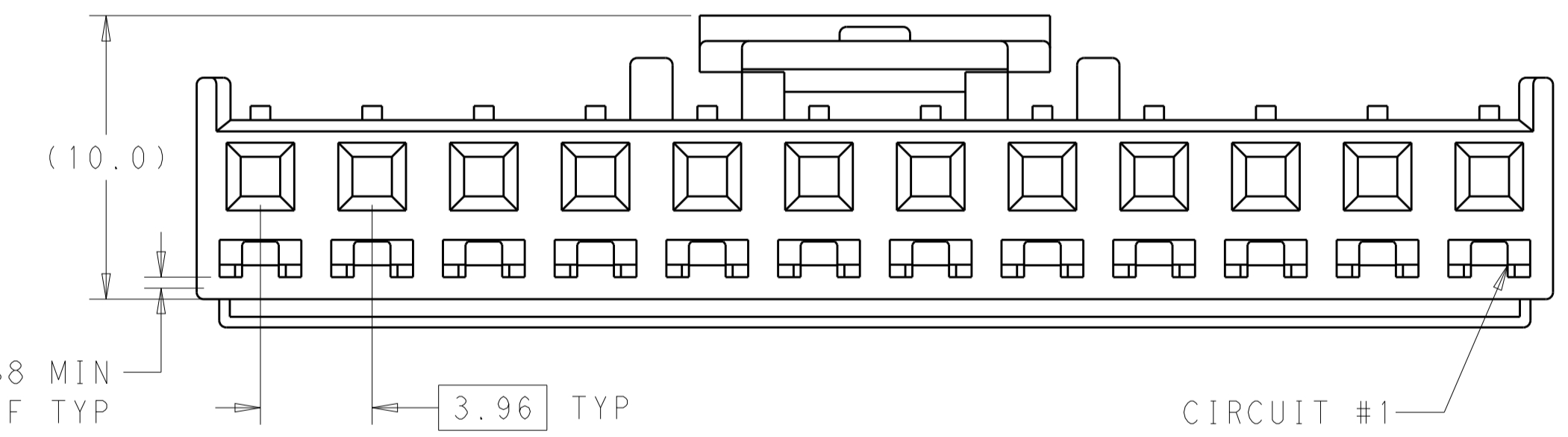
DIM H

(11.0)

CIRCUIT #1

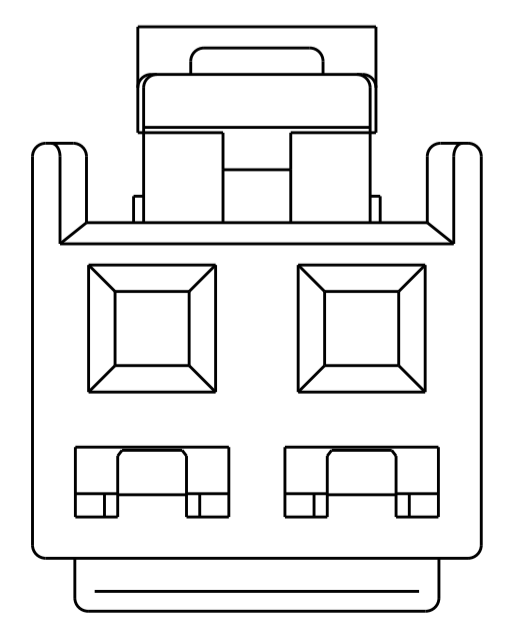


0.38 MIN REF TYP

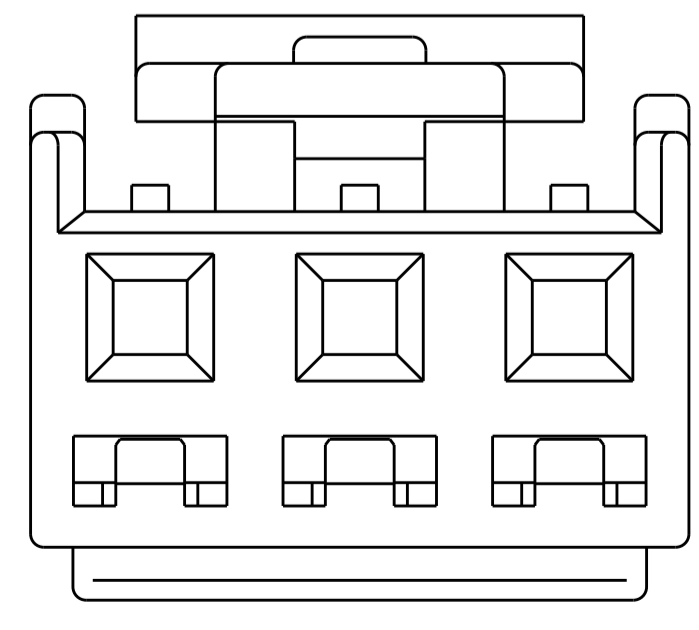


CIRCUIT #1

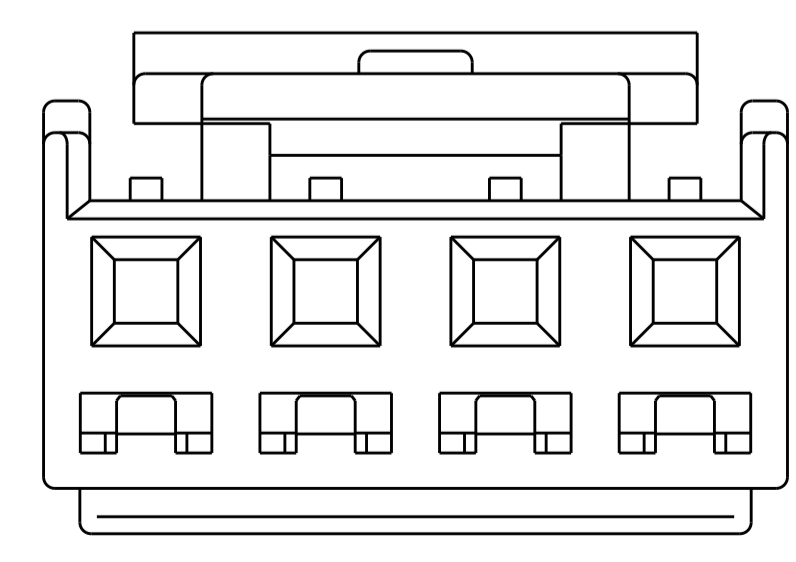
45.68	12.42	48.08	12	1-2132781-2
41.72	8.46	44.12	11	1-2132781-1
37.76	12.42	40.16	10	1-2132781-0
33.80	8.46	36.20	9	2132781-9
29.84	12.42	32.24	8	2132781-8
25.88	8.46	28.28	7	2132781-7
21.92	12.42	24.32	6	2132781-6
17.96	8.46	20.36	5	2132781-5
14.36	12.42	16.40	4	2132781-4
10.40	8.46	12.44	3	2132781-3
6.44	4.50	8.48	2	2132781-2
DIM H	DIM F	DIM A	NO. OF POSI.	PART NUMBER



FRONT VIEW
(2 POSITION SHOWN)



FRONT VIEW
(3 POSITION SHOWN)



FRONT VIEW
(4 POSITION SHOWN)

THIS DRAWING IS A CONTROLLED DOCUMENT.

DIMENSIONS:	TOLERANCES UNLESS OTHERWISE SPECIFIED:	DWN G. PETERS 09FEB2010	TE Connectivity NAME: RECEPTACLE HOUSING, ECONOMY POWER II, 3.96 CENTERLINE W/ RETAINING FEATURES SIZE: CAGE CODE DRAWING NO. RESTRICTED TO WEIGHT: A100779C=2132781 Customer Drawing SCALE 3:1 SHEET 1 OF 1 REV D1
mm	0 PLC ± 1 PLC ±0.5 2 PLC ±0.30 3 PLC ± 4 PLC ±	CHK E. HOWARD 09FEB2010	
	ANGLES ±°	APVD S. FLICKINGER 09FEB2010	
MATERIAL	FINISH	PRODUCT SPEC	

X-ON Electronics

Largest Supplier of Electrical and Electronic Components

Click to view similar products for [Headers & Wire Housings](#) category:

Click to view products by [TE Connectivity](#) manufacturer:

Other Similar products are found below :

[892-18-020-10-001101](#) [58102-G61-06LF](#) [582553-1](#) [0009485154](#) [009176003701906](#) [0050291907](#) [LY20-4P-DT1-P1E-BR](#) [02.125.8002.8](#)
[609-3404](#) [61062-3](#) [61082-181009](#) [622-3653LF](#) [63453-116](#) [636-1030](#) [636-1427](#) [636-3427](#) [636-4007](#) [641938-9](#) [641991-4](#) [644827-2](#) [65817-](#)
[010LF](#) [65817-015LF](#) [65863-015LF](#) [66207-023LF](#) [67095-007LF](#) [67601157](#) [68645-018](#) [68648-049](#) [70.362.1628.0](#) [70-4210](#) [70-4226B](#) [70-](#)
[4853B](#) [707-5020](#) [707-5028](#) [71.350.2428.0](#) [71918-208LF](#) [71961-016LF](#) [733-134](#) [733-162](#) [754199-000](#) [760-3052](#) [787-8014-00](#) [79531-3000](#)
[FCN-360C032-B](#) [FCN-367T-T012/H](#) [FCN-723D010/2](#) [80.063.4001.1](#) [800-90-001-10-001000](#) [800-90-010-10-002000](#) [801-43-002-10-013000](#)