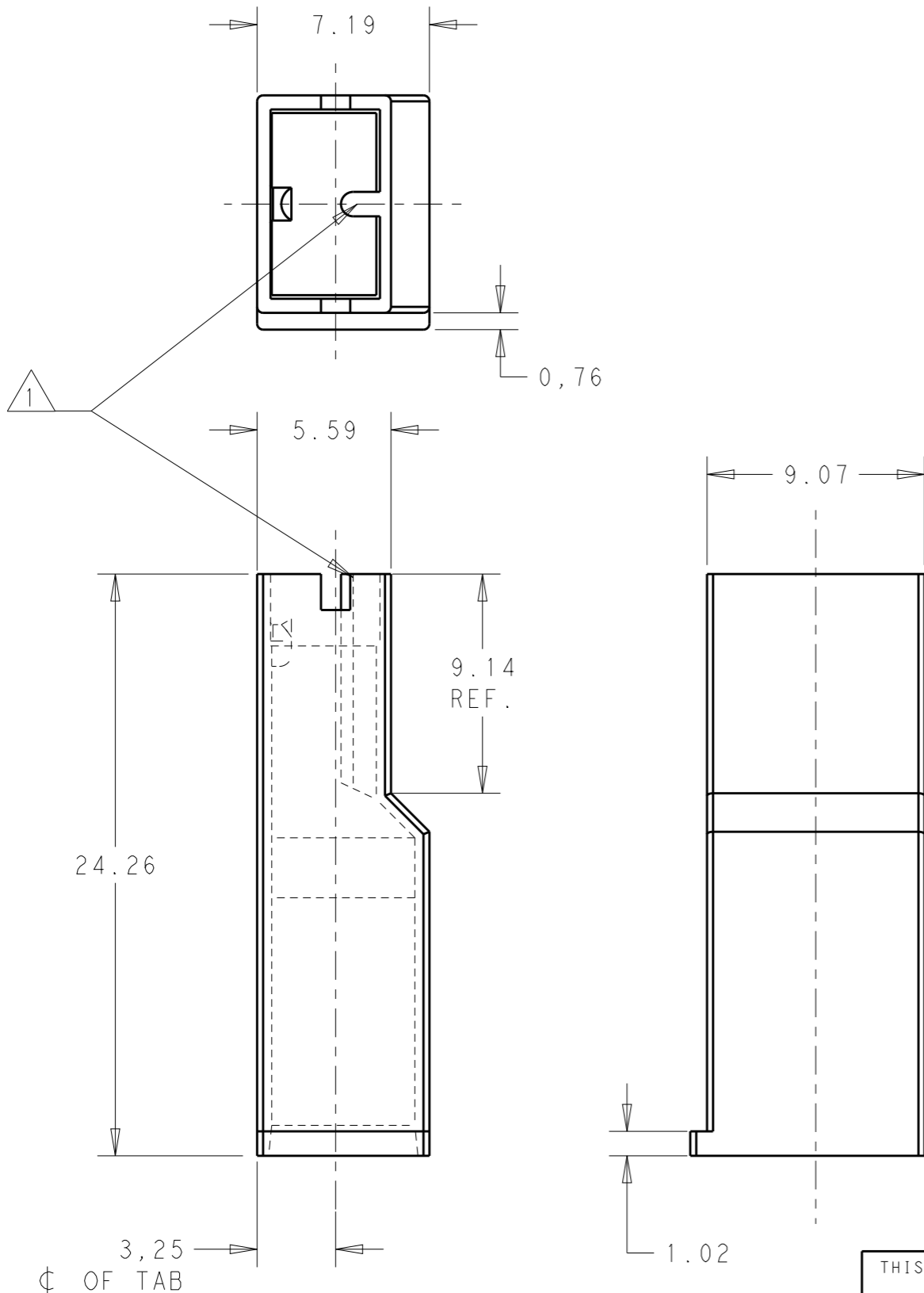


THIS DRAWING IS UNPUBLISHED. RELEASED FOR PUBLICATION 20
 © COPYRIGHT 20 TE CONNECTIVITY ALL RIGHTS RESERVED.

LOC	DIST	REVISIONS			
P	LTR	DESCRIPTION	DATE	DWN	APVD
AP	-	A	RELEASED	14JUN2011	HC WLS
		B	REV. BY ECO-12-014195	03AUG2012	HC WLS
		B1	REV. BY ECO-15-007760	22MAI2015	HC WLS
		B2	REVISED BY ECO 16-014328	03OCT2016	HC WLS



- △1 - RIB MAY EXTEND TO FRONT OF HOUSING.
- △2 - MATERIAL: PA 6.6 ACC. TO SPEC. IEC 60335 GWT 850°C - WITHOUT FLAME.
- △3 - HEAT STABILIZED

BLACK	PA 6.6 - HB △3	1-2133341-3
NATURAL	PA 6.6 - UL94 - V0 - GWT △2	1-2133341-2
NATURAL	PA 6.6 - UL94 - V0	1-2133341-1
BLUE	PA 6.6 - UL94 - V2	2133341-6
GREEN		2133341-5
YELLOW		2133341-4
RED		2133341-3
NATURAL		2133341-2
BLACK		2133341-1
COLOR	MATERIAL	PART NUMBER

THIS DRAWING IS A CONTROLLED DOCUMENT.		DWN H.C. CANTER 25MAY2011	STE TE Connectivity	
		CHK W.L. STEFANI 25MAY2011		
DIMENSIONS: mm		APVD -	NAME MKI .250 POSITIVE LOCK RECEPTACLE INSULATOR MKI .250 POSITIVE LOCK	
TOLERANCES UNLESS OTHERWISE SPECIFIED: 0 PLC ± 1 PLC ±0,5 2 PLC ±0,5 3 PLC ± 4 PLC ± ANGLES ± FINISH -		PRODUCT SPEC 108-3252	RESTRICTED TO -	
MATERIAL SEE TABLE		APPLICATION SPEC 114-2153	SIZE A3	CAGE CODE 00779
		WEIGHT -	DRAWING NO C-2133341	REV B2
		CUSTOMER DRAWING	SCALE 4/1	SHEET 1 OF 1

X-ON Electronics

Largest Supplier of Electrical and Electronic Components

Click to view similar products for [Terminals](#) category:

Click to view products by [TE Connectivity](#) manufacturer:

Other Similar products are found below :

[00-054007-01074-6](#) [00-054007-70206-1](#) [00-054007-70210-8](#) [00-054007-70217-7](#) [00-054007-70226-9](#) [00-054007-70228-3](#) [00-054007-70248-1](#) [00-054007-70256-6](#) [00-054007-70301-3](#) [00-054007-70316-7](#) [0-0320562-0](#) [00-054007-49560-4](#) [00-054007-70209-2](#) [00-054007-70225-2](#) [00-054007-70227-6](#) [00-054007-70231-3](#) [00-054007-70241-2](#) [00-054007-70242-9](#) [00-054007-70244-3](#) [00-054007-70246-7](#) [00-054007-70263-4](#) [00-054007-70288-7](#) [00-054007-70290-0](#) [00-054007-70300-6](#) [00-054007-70304-4](#) [01-2065-1-0216](#) [01-2900-1-04412](#) [00581P0075](#) [600TS-10](#) [60205-1](#) [604200-1](#) [605601-1](#) [60598-1-CUT-TAPE](#) [61314-6-C](#) [61810-3](#) [61-S](#) [61-SN](#) [626-0194](#) [62-NBM-A](#) [62-SN](#) [62-SP](#) [63-S](#) [640179-1](#) [M55155/059I03](#) [M55155/079C01](#) [M55155/099H02](#) [M55155/109H01](#) [M55155/109H02](#) [M55155/12XH05](#) [M55155/16XH02](#)