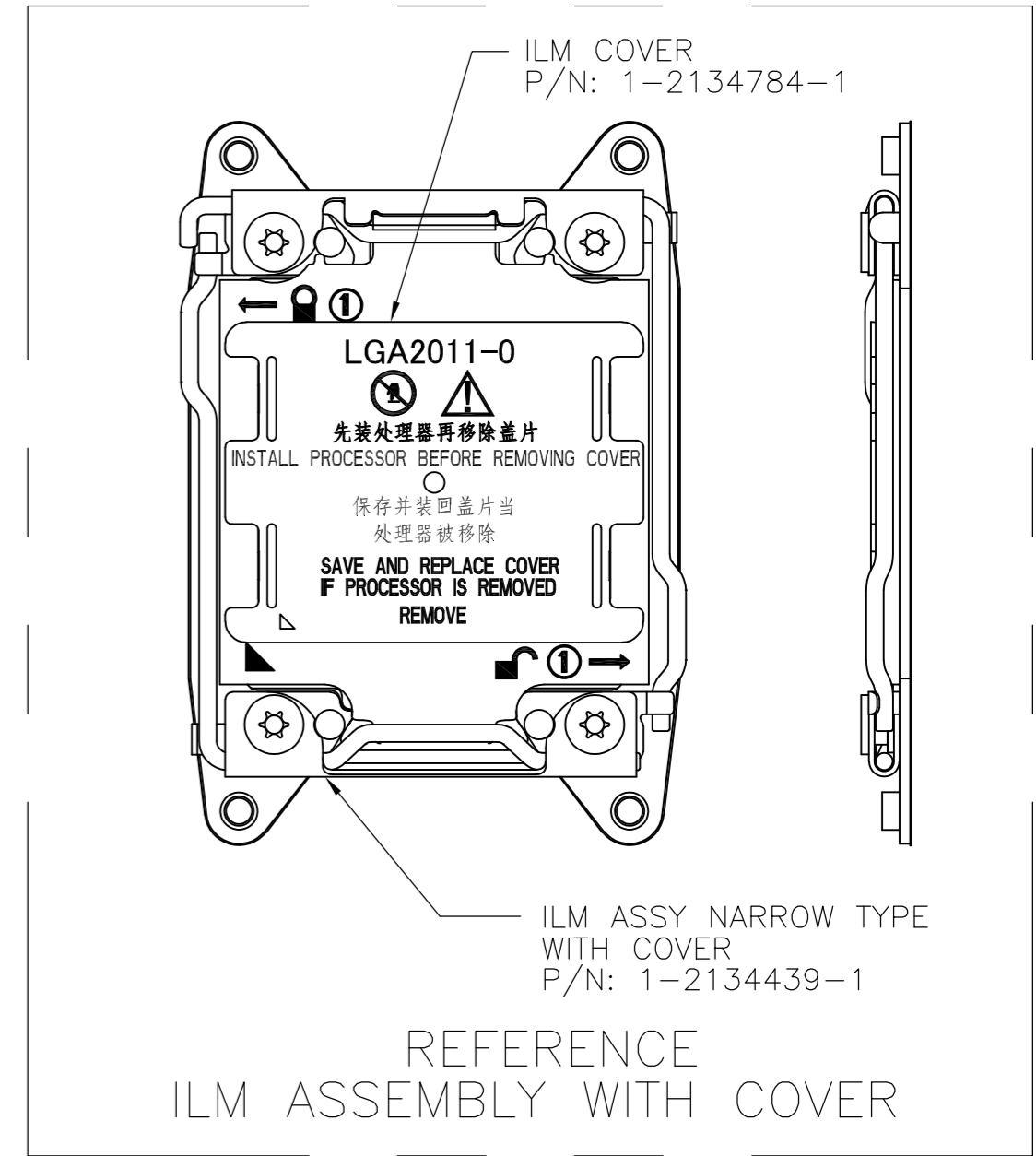
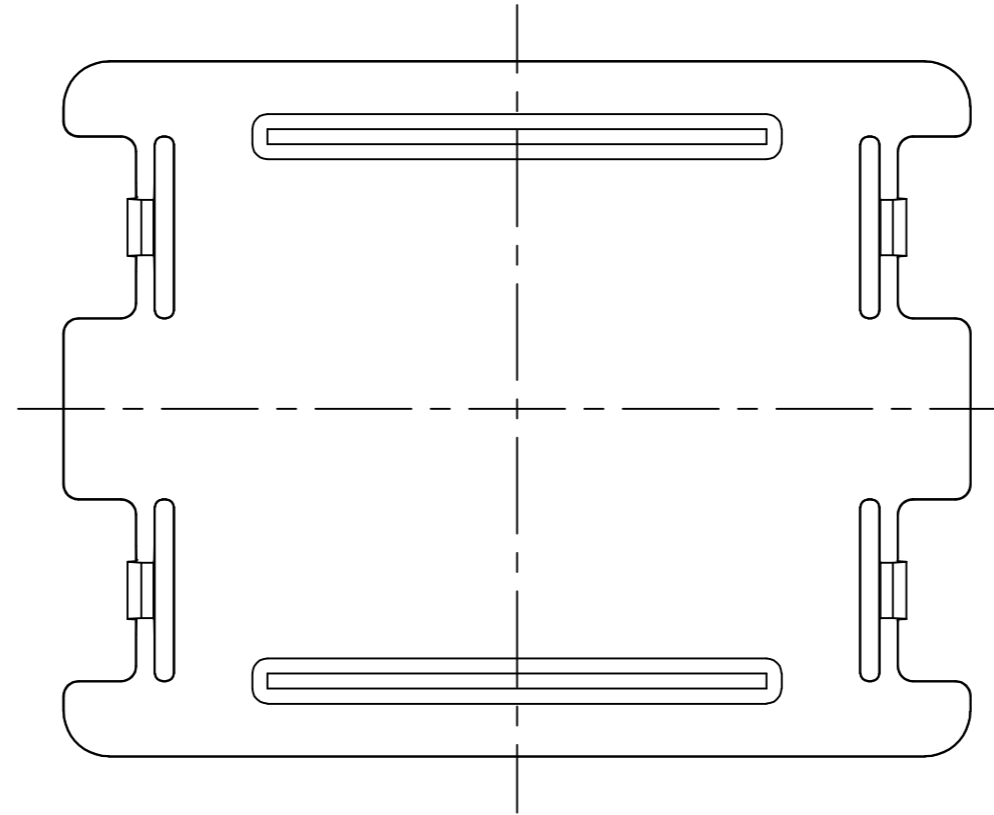
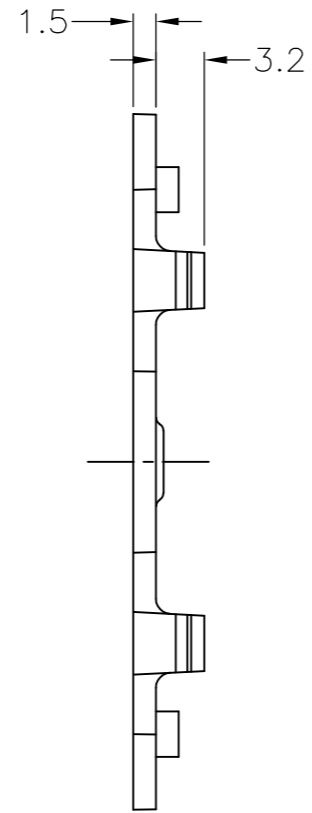
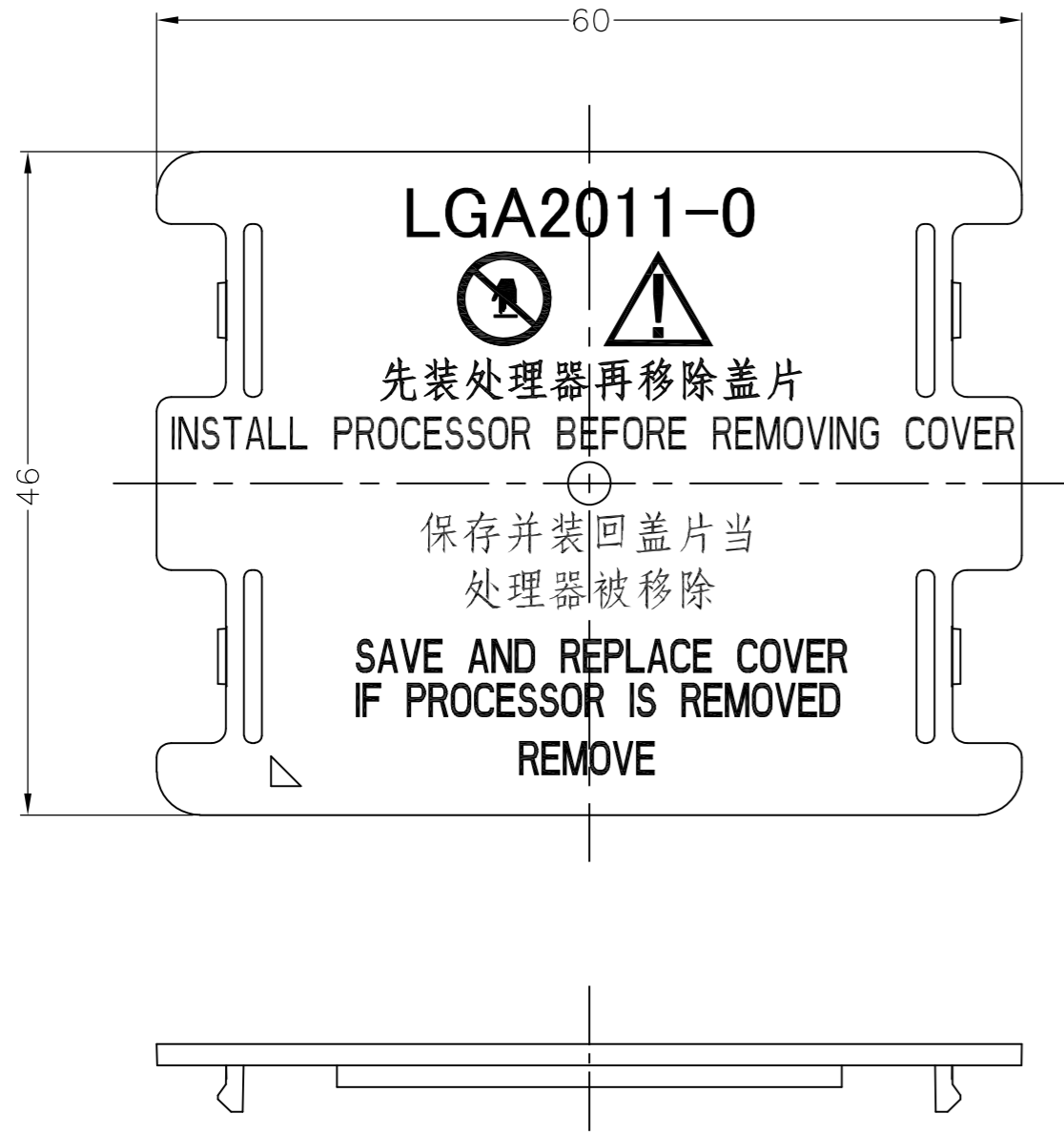


THIS DRAWING IS UNPUBLISHED. RELEASED FOR PUBLICATION JUL ,2011.  
 © COPYRIGHT 2011 By Tyco Electronics Japan G.K. ALL RIGHTS RESERVED.

LOC	DIST	REVISIONS			
P	LTR	DESCRIPTION	DATE	DWN	APVD
J	-	A1	REVISED	19AUG'11	J.C T.N



1-2134784-1 AS SHOWN

- 1. MATERIAL: POLYCARBONATE, UL94 V-0, BLACK
- 2. THIS PRODUCT IS APPLICABLE FOR ILM ASSEMBLY OF LGA2011 REFERENCE ILM ASSEMBLY P/N: 2134439 SERIES

THIS DRAWING IS A CONTROLLED DOCUMENT.		DWN Y.TAKAHASHI 24JUL2011																				
DIMENSIONS: mm		CHK H.TAGUCHI 24JUL2011																				
TOLERANCES UNLESS OTHERWISE SPECIFIED:		APVD T.NAKASHIMA 24JUL2011	NAME ILM DUST COVER LGA2011																			
<table border="1"> <tr><td>Ø-PLC</td><td>±</td><td>±0.3</td></tr> <tr><td>1-PLC</td><td>±</td><td></td></tr> <tr><td>2-PLC</td><td>±</td><td>±3°</td></tr> <tr><td>3-PLC</td><td>±</td><td></td></tr> <tr><td>4-PLC</td><td>±</td><td></td></tr> <tr><td>ANGLES</td><td>±</td><td>-</td></tr> </table>		Ø-PLC	±	±0.3	1-PLC	±		2-PLC	±	±3°	3-PLC	±		4-PLC	±		ANGLES	±	-	PRODUCT SPEC 108-78750	SIZE A2	CAGE CODE 00779
Ø-PLC	±	±0.3																				
1-PLC	±																					
2-PLC	±	±3°																				
3-PLC	±																					
4-PLC	±																					
ANGLES	±	-																				
MATERIAL 1		FINISH -	APPLICATION SPEC 114-5474	DRAWING NO C=2134784																		
		WEIGHT 4.6g	RESTRICTED TO -	SCALE NTS																		
		CUSTOMER DRAWING	SHEET 1 OF 1	REV A1																		

## X-ON Electronics

Largest Supplier of Electrical and Electronic Components

*Click to view similar products for IC & Component Sockets category:*

*Click to view products by TE Connectivity manufacturer:*

Other Similar products are found below :

[0066-3-17-15-30-14-02-0](#) [670](#) [672](#) [673](#) [694-13-640-00-672-000](#) [712-93-120-41-001000](#) [714-93-104-31-018000](#) [8059-4G1-LF](#) [807-22-001-10-001101](#) [807-22-001-10-006101](#) [807-22-001-30-011101](#) [807-22-001-30-012101](#) [807-22-001-30-013101](#) [807-22-001-30-014101](#) [8-1437531-4](#) [8150-6P10](#) [833-93-034-10-001000](#) [851-41-006-10-001000](#) [851-43-008-20-001000](#) [851-43-014-20-001000](#) [851-93-006-20-001000](#) [851-93-010-20-001000](#) [853-43-020-10-001000](#) [86.010.0053.0](#) [116-43-308-41-007000](#) [PX-68LCC](#) [121-13-318-41-001000](#) [121-13-320-41-001000](#) [121-13-308-41-001000](#) [123-43-314-41-801000](#) [123-43-420-41-001000](#) [122-13-316-41-001000](#) [123-13-624-41-001000](#) [123-43-306-41-001000](#) [12-3513-11](#) [123-91-320-41-001000](#) [126-43-310-41-002000](#) [AKSUN 37V-T](#) [1437503-9](#) [1437504-1](#) [146-44-308-41-013000](#) [146-43-308-41-012000](#) [160-10-308-00-001000](#) [160-40-320-00-001000](#) [214-99-306-01-670800](#) [232-1270-02-0602](#) [2-382761-4](#) [2-5331677-4](#) [2-640360-3](#) [2801-2-00-50-00-00-07-0](#)