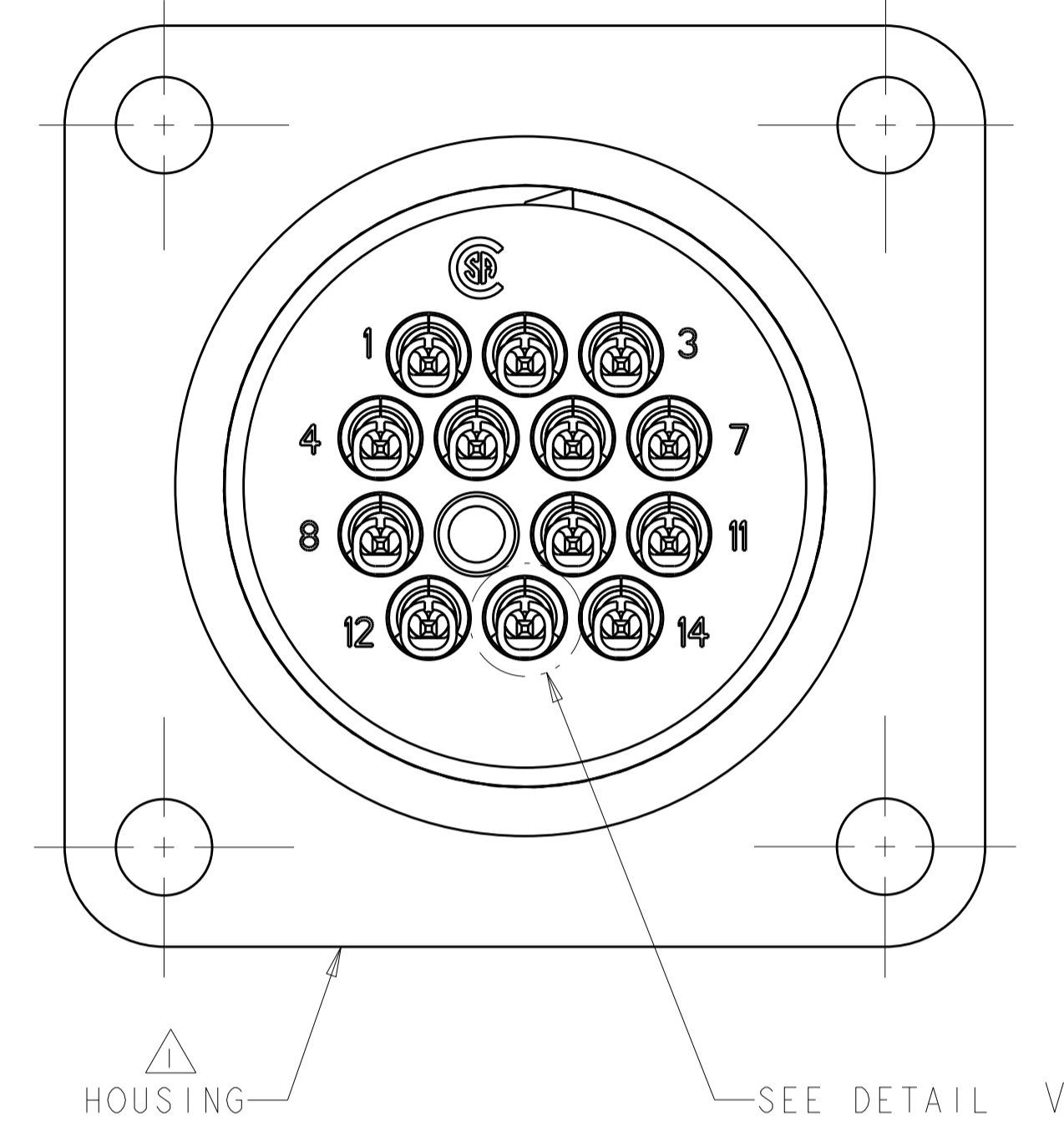
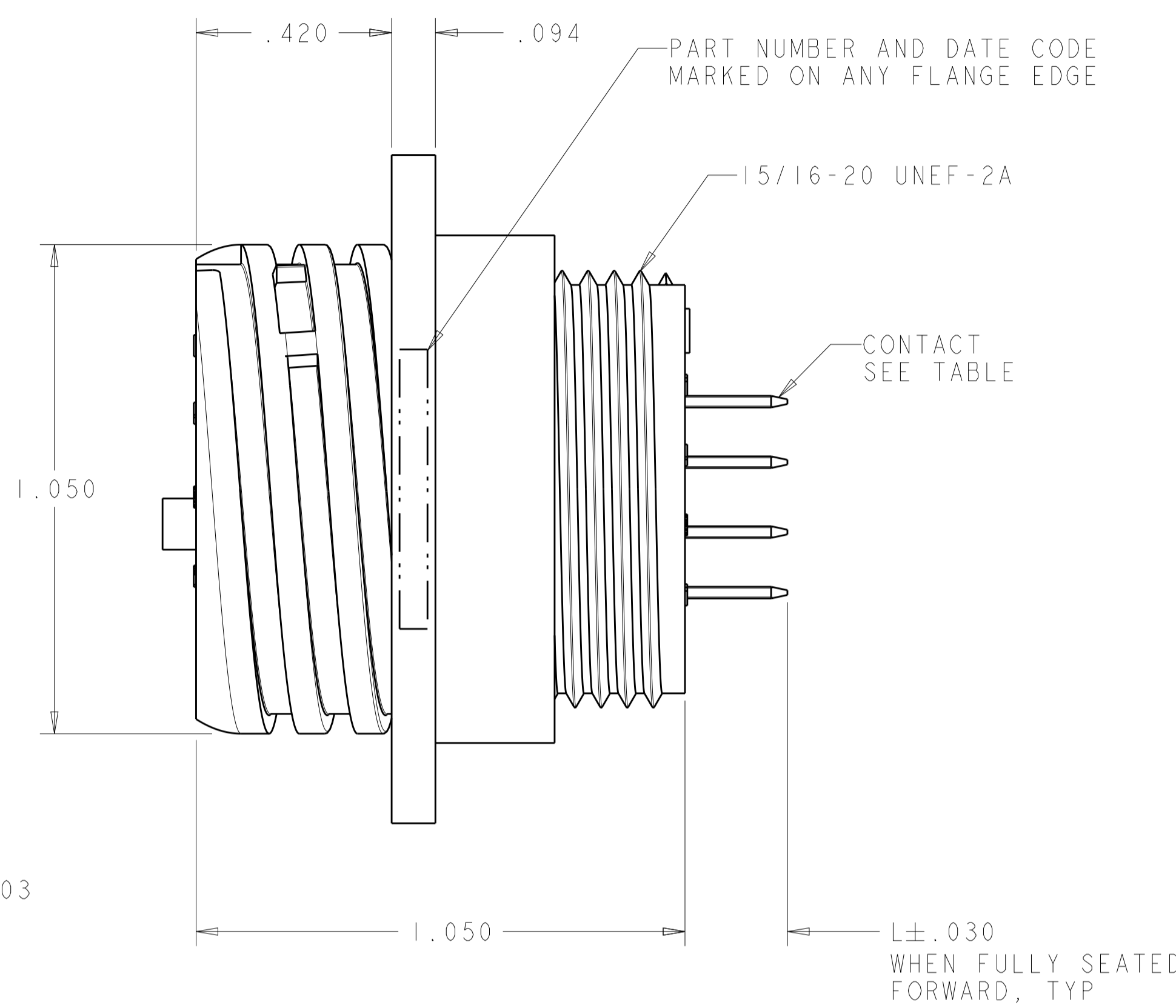
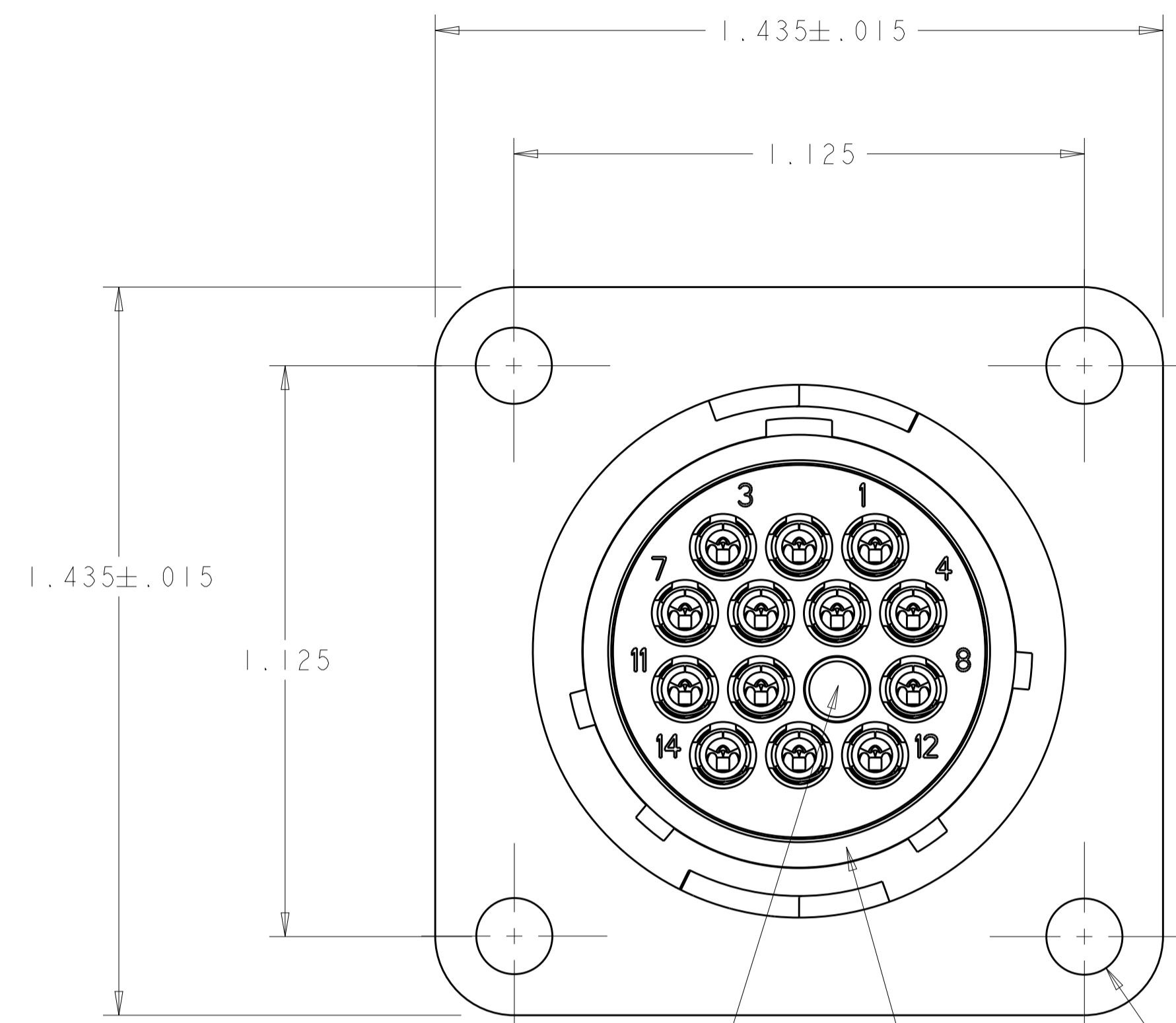
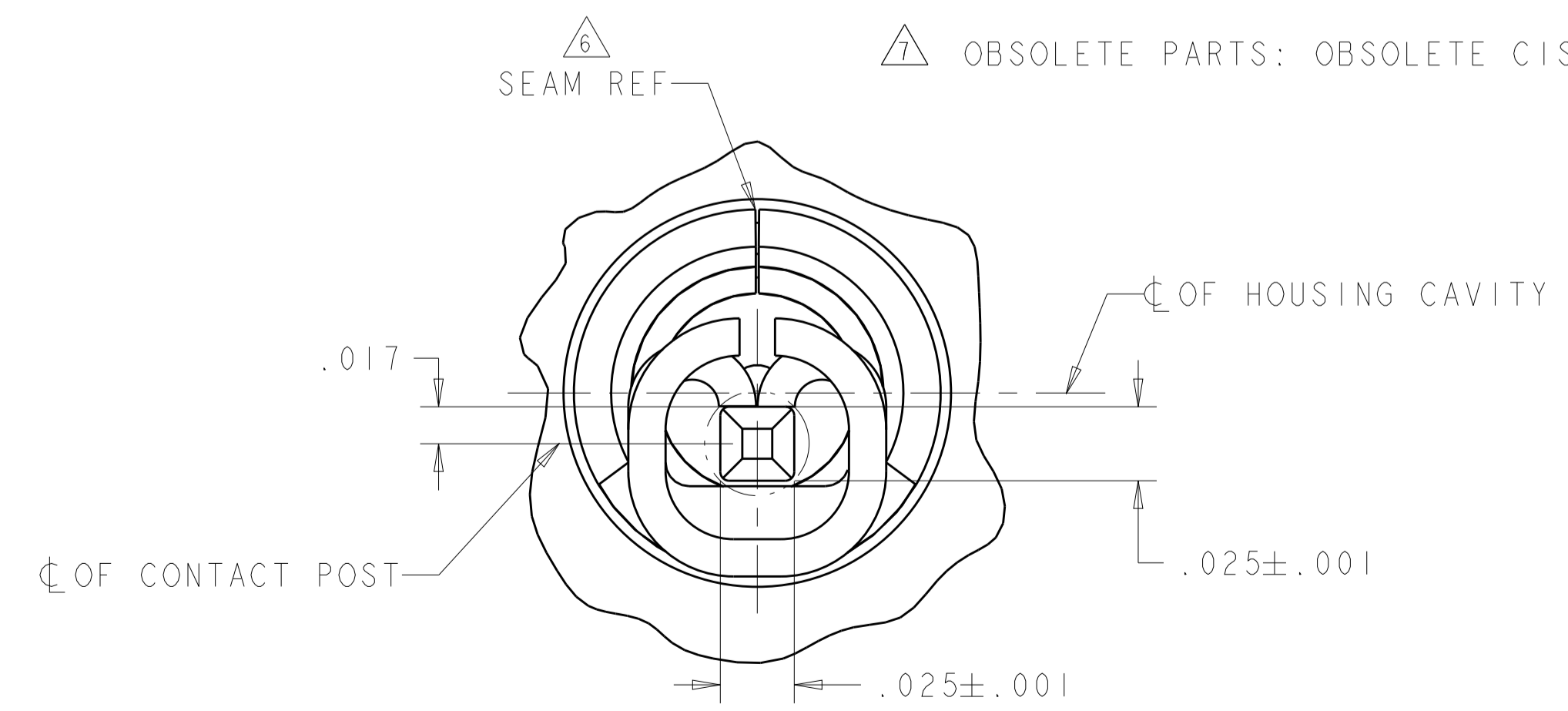


REVISIONS				
P.	LTN	DESCRIPTION	DATE	APVD
R1		REVISED PER ECO-16-004800	10SEP2016	NK MZ
S		REVISED PER ECO-16-018356	23MAR2017	RS MZ
T		REVISED PER ECO-19-011232	07AUG2019	RS MZ



KEYING PLUG SEE TABLE  
 PERIPHERAL SEAL SEE TABLE  
 Ø .150±.003 4 PLC

- 1 HOUSING: NYLON, UL 94 V-0 RATED, BLACK.
- 2 CONTACT:  
 BODY - BRASS, .000100 MIN TIN-LEAD OVER .000050 MIN NICKEL.  
 POST - BRASS, .000100 MIN TIN-LEAD OVER .000050 MIN NICKEL.
- 3 CONTACT:  
 BODY - BRASS, .000100 MIN TIN OVER .000050 MIN NICKEL.  
 POST - BRASS, .000100 MIN TIN OVER .000050 MIN NICKEL.
- 4 PERIPHERAL SEAL: ELASTOMER, BLACK.
- 5 KEYING PLUG: NYLON, NATURAL.
- 6 .009 MAXIMUM CONTACT LEAD-IN SEAM GAP PERMISSIBLE ON MATING FACE END.
- 7 OBSOLETE PARTS: OBSOLETE CIS STREAMLINING PER D.RENAUD/D.SINISI



DETAIL V  
 SCALE 20:1

STATUS	L	KEYING PLUG	PERIPHERAL SEAL	FINISH	QTY	SELECT LOAD IN POSITIONS	PART NUMBER
OBSOLETE	.368	-	YES	3	13	1-5, 7-14	213825-8
	.220	-	YES	3	14	ALL	1-213825-7
OBSOLETE	.220	POSN 9	YES	3	11	1, 3, 4, 6, 8-14	213825-6
OBSOLETE	.220	-	YES	3	13	1-8, 10-14	213825-5
OBSOLETE	.220	-	YES	3	13	1-5, 7-14	213825-4
OBSOLETE	.557	-	NO	2	12	1, 2, 4, 5, 7-14	213825-3
OBSOLETE	.220	POSN 9	YES	2	13	1-8, 10-14	1-213825-2
OBSOLETE	.368	-	YES	2	13	1-5, 7-14	213825-1
OBSOLETE	.220	-	YES	2	13	1-5, 7-14	1-213825-0
OBSOLETE	.220	-	YES	2	11	1, 3, 4, 6, 8-14	213825-9
OBSOLETE	.220	POSN 9	YES	2	13	1-8, 10-14	213825-5
OBSOLETE	.368	-	YES	2	13	1-5, 7-14	213825-4
OBSOLETE	.220	-	YES	2	13	1-5, 7-14	213825-3
OBSOLETE	.220	-	YES	2	11	1, 3, 4, 6, 8-14	213825-2
OBSOLETE	.220	-	YES	2	14	ALL	213825-1

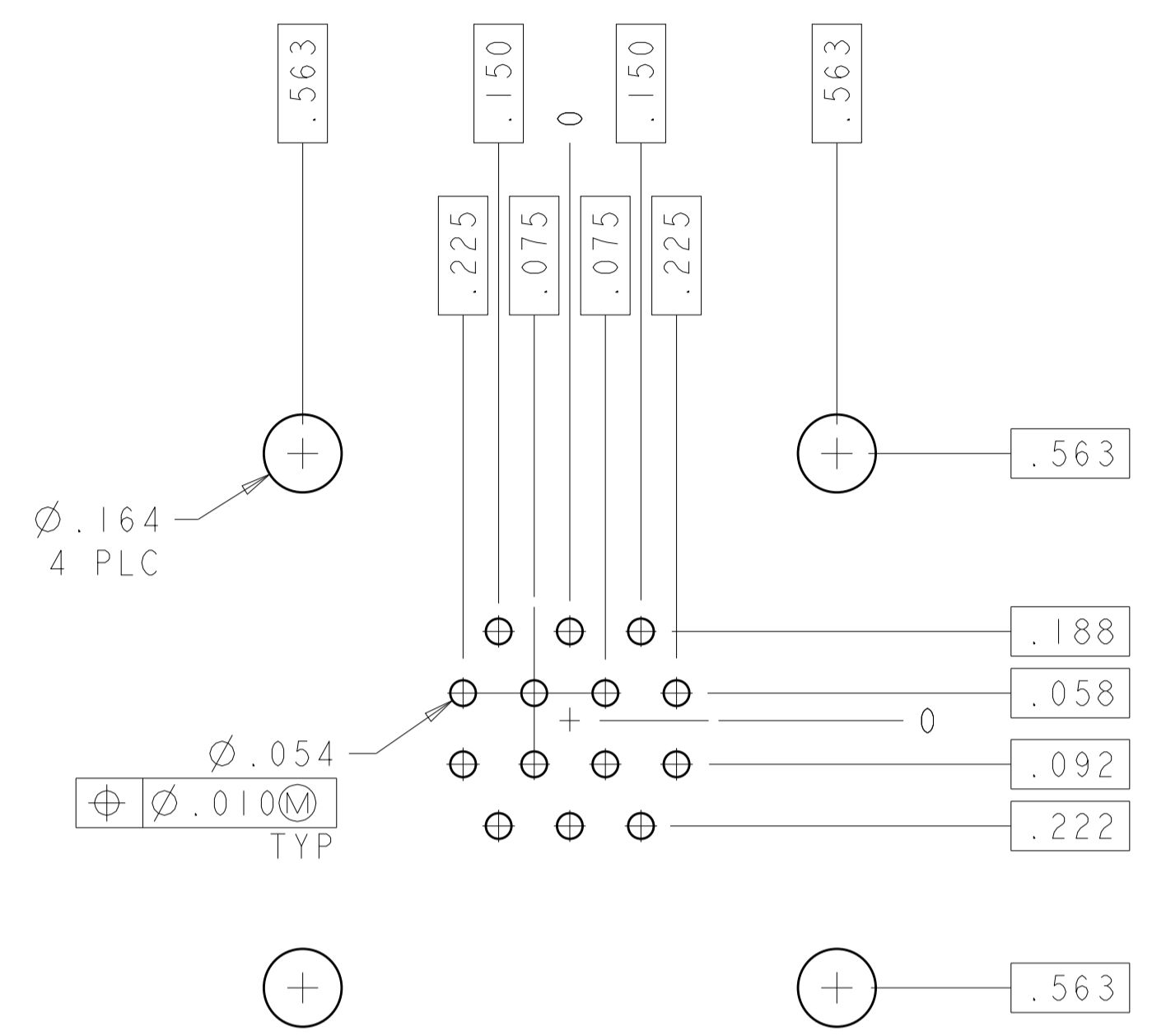
THIS DRAWING IS A CONTROLLED DOCUMENT. DIMENSIONS: INCHES. TOLERANCES UNLESS OTHERWISE SPECIFIED: 0 PLC ±.0, 1 PLC ±.0, 2 PLC ±.0, 3 PLC ±.0, 4 PLC ±.0, 5 PLC ±.0, 6 PLC ±.0, 7 PLC ±.0, 8 PLC ±.0, 9 PLC ±.0, 10 PLC ±.0, 11 PLC ±.0, 12 PLC ±.0, 13 PLC ±.0, 14 PLC ±.0. ANGLES: FINISH ±.0.

OWN: S. WELDON 23MAY2003  
 CH: S. HEADER 23MAY2003  
 APVD: S. HEADER 23MAY2003

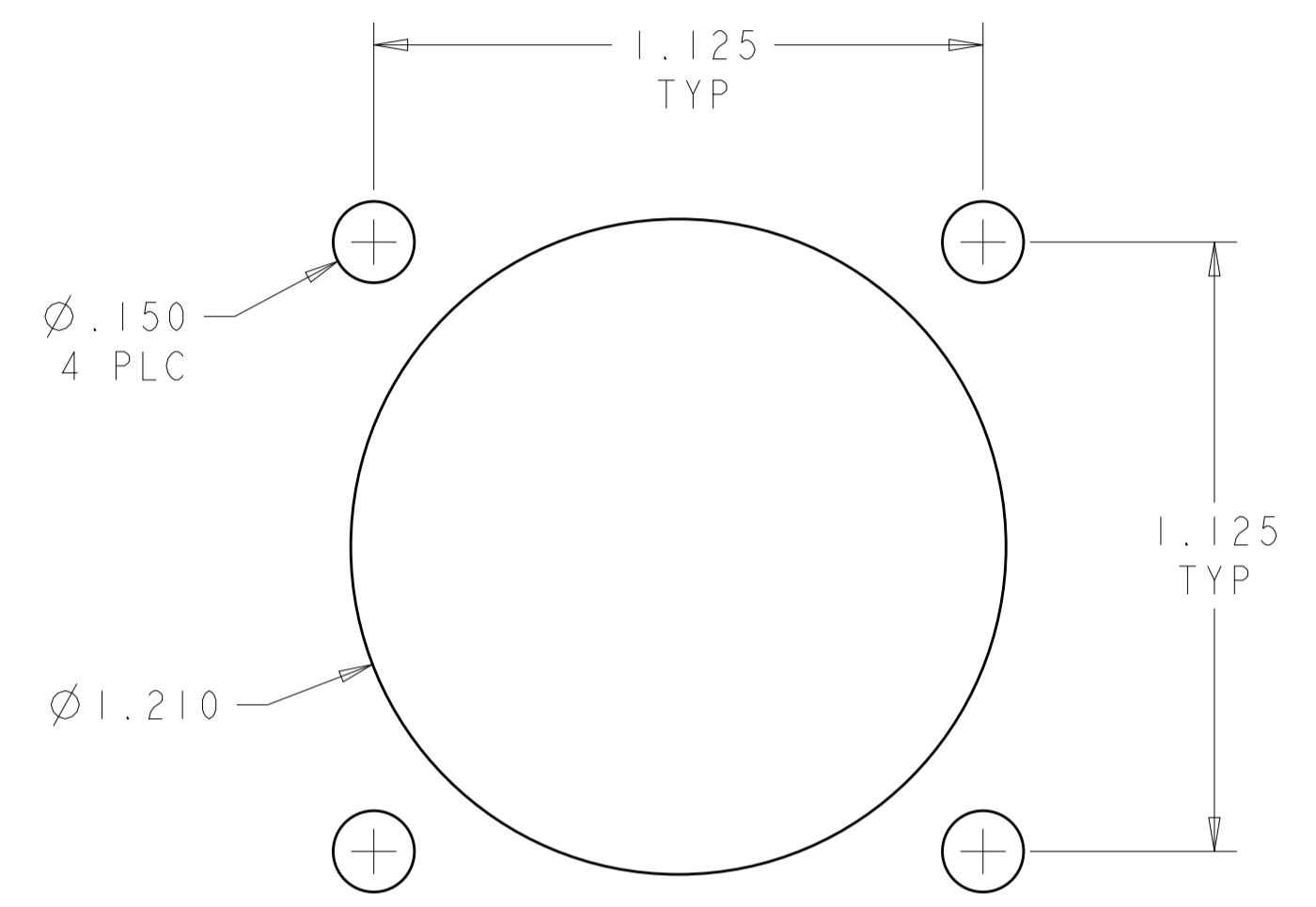
NAME: RECEPTACLE ASSEMBLY, POSTED, SERIES 1, REVERSE SEX, CPC  
 SIZE: A1 00779 C=213825  
 SCALE: 4:1 SHEET 1 OF 2 REV T

TE Connectivity

REVISIONS				
P.	LTN	DESCRIPTION	DATE	APVD
-	-	SEE SHEET 1	-	-



RECOMMENDED PC BOARD LAYOUT  
 SCALE 3:1



RECOMMENDED PANEL LAYOUT  
 .125 MAX PANEL THICKNESS  
 SCALE 3:1

THIS DRAWING IS A CONTROLLED DOCUMENT.		DWN S. WELDON 23MAY2003	TE Connectivity
DIMENSIONS: INCHES		CHK S. HEADER 23MAY2003	
		TOLERANCES UNLESS OTHERWISE SPECIFIED: 0 PLC ±0 1 PLC ±0 2 PLC ±0 3 PLC ±0.010 4 PLC ±0 ANGLES ±0	NAME RECEPTACLE ASSEMBLY, POSTED, SERIES 1, REVERSE SEX, CPC
MATERIAL		APVD S. HEADER 23MAY2003	SIZE CAGE CODE DRAWING NO A100779C=213825
FINISH		PRODUCT SPEC	RESTRICTED TO
CUSTOMER DRAWING		APPLICATION SPEC	SCALE 4:1 SHEET 2 OF 2 REV T
		WEIGHT	

## X-ON Electronics

Largest Supplier of Electrical and Electronic Components

*Click to view similar products for [Standard Circular Connector](#) category:*

*Click to view products by [TE Connectivity](#) manufacturer:*

Other Similar products are found below :

[5M2530B10P](#) [600259N006](#) [600273N007](#) [6134-336-13149](#) [6134-337-11149](#) [6134-337-2390](#) [6134-341-17149](#) [6280-4SG-516](#) [6280-7SG-3DC](#)  
[6290](#) [6291A](#) [66200A-10](#) [680-SMG](#) [681-PMG](#) [CXS3102A14S2P](#) [CXS3102A181S](#) [7251-5SG-300](#) [7271-6SG-300](#) [7282-3PG-300-CH3](#) [75-](#)  
[474618-01S](#) [75-474618-04P](#) [75-474618-04S](#) [799539-000](#) [MI8-SE](#) [805-005-07NF11-19PC](#) [805-005-07NF15-7PA](#) [8280-4PG-516](#) [8280-7PG-](#)  
[519](#) [8282-5PG-519](#) [836783-1](#) [MP-4102-25P-C](#) [862256-1](#) [864019-2](#) [866857-1](#) [867865-1](#) [PT01SP-14-18P](#) [PT08P-14-5S](#) [PTSF06SE-14-12S](#)  
[120-1833-000](#) [QCM019PC2DC012B](#) [1-2069279-1](#) [121583-0217](#) [121667-0020](#) [129591AU](#) [1000B BULK](#) [RD10A16-19-P6CS051/1](#)  
[RD10A20-31-P8CS051/1](#) [RD16A14-12-S6CS051/2](#) [1301240290](#) [1301240347](#) [1301860202](#)