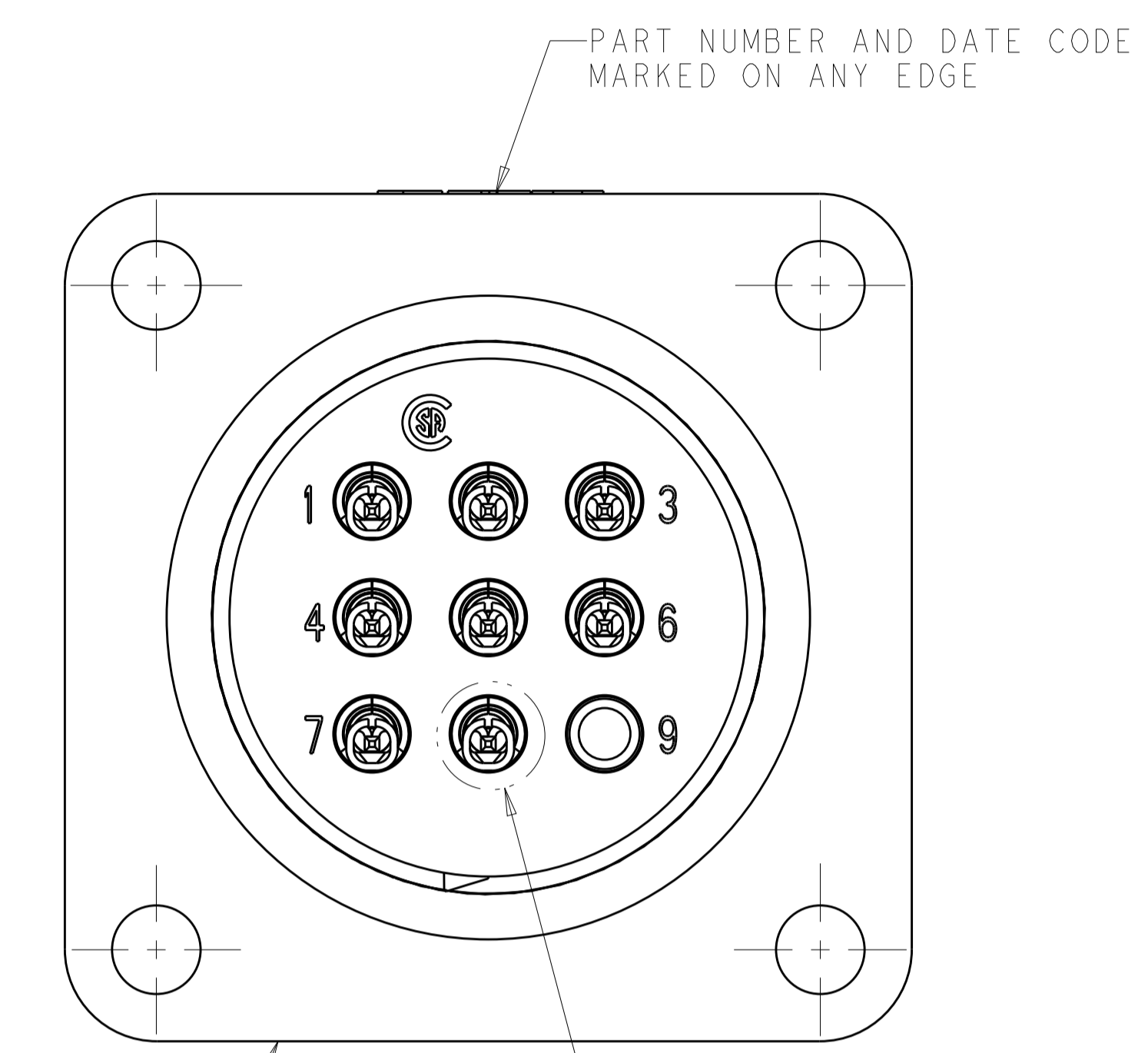
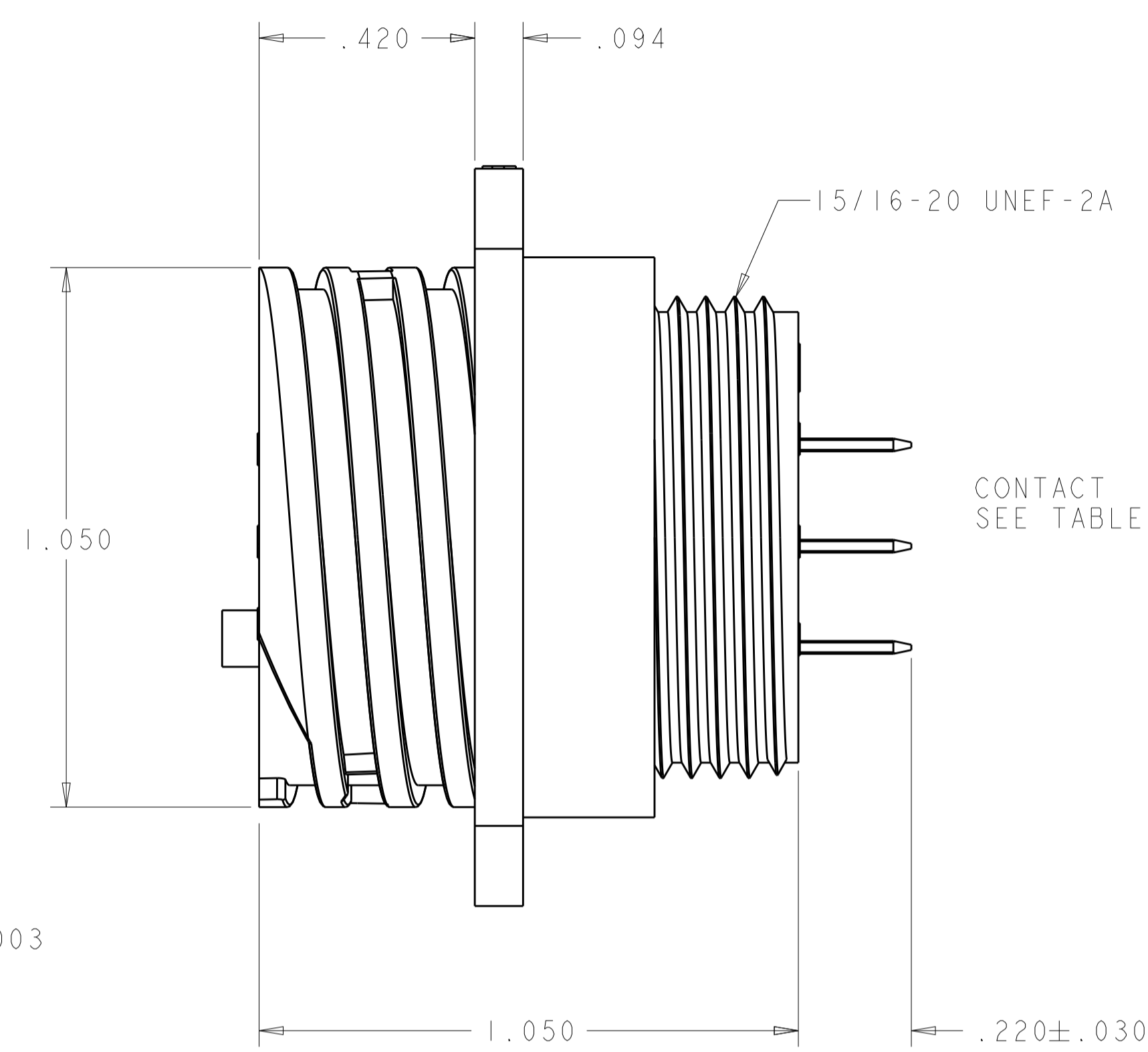
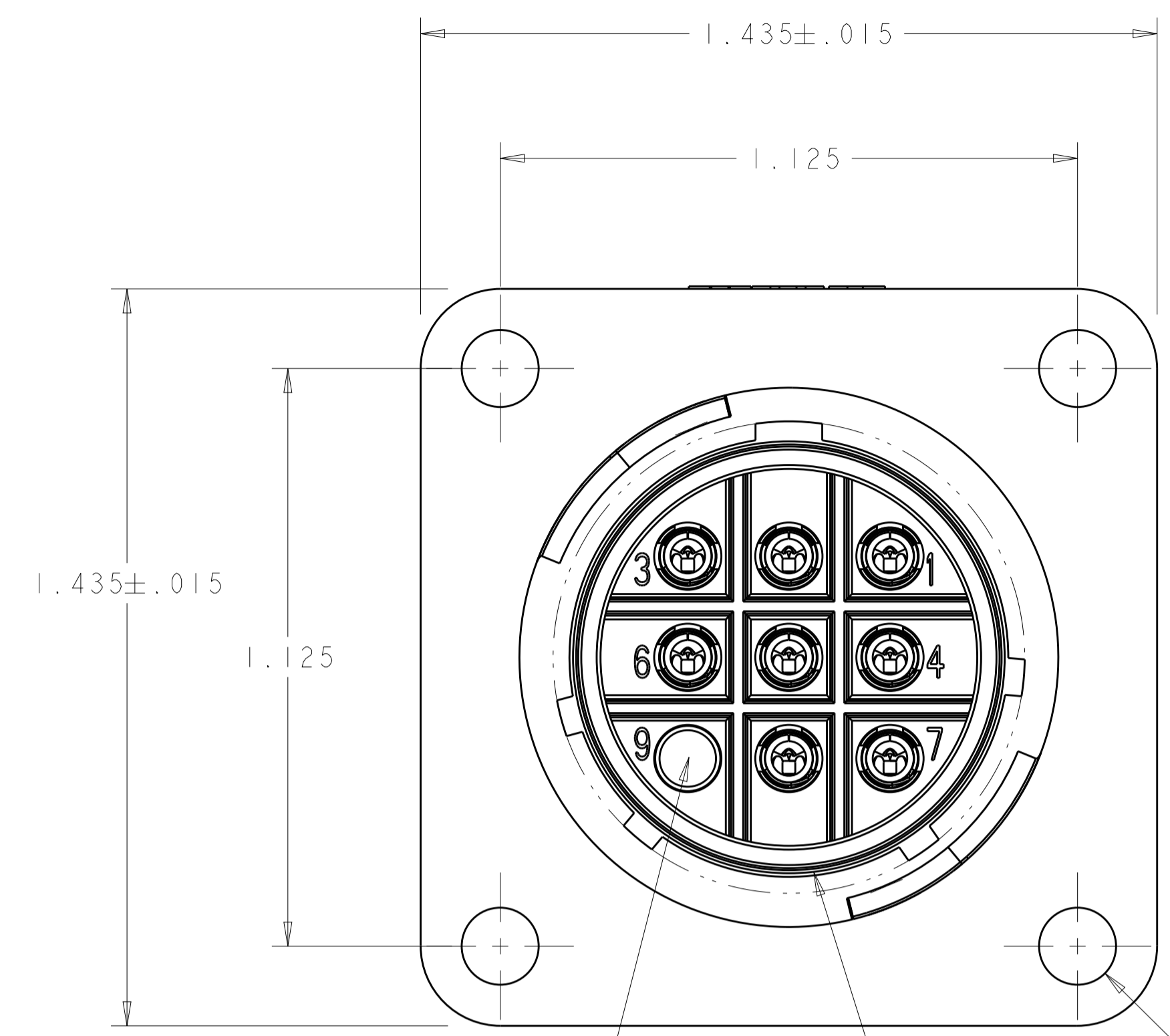


REVISIONS					
P	LTM	DESCRIPTION	DATE	DWN	APVD
P		ADDED 1-2, 1-3 ECO-06-002610	15FEB2006	SW	SH
P1		REVISED PER ECO-09-025699	12DEC2009	KK	AEG
R		REVISED PER ECO-19-011232	07AUG2019	RS	MZ

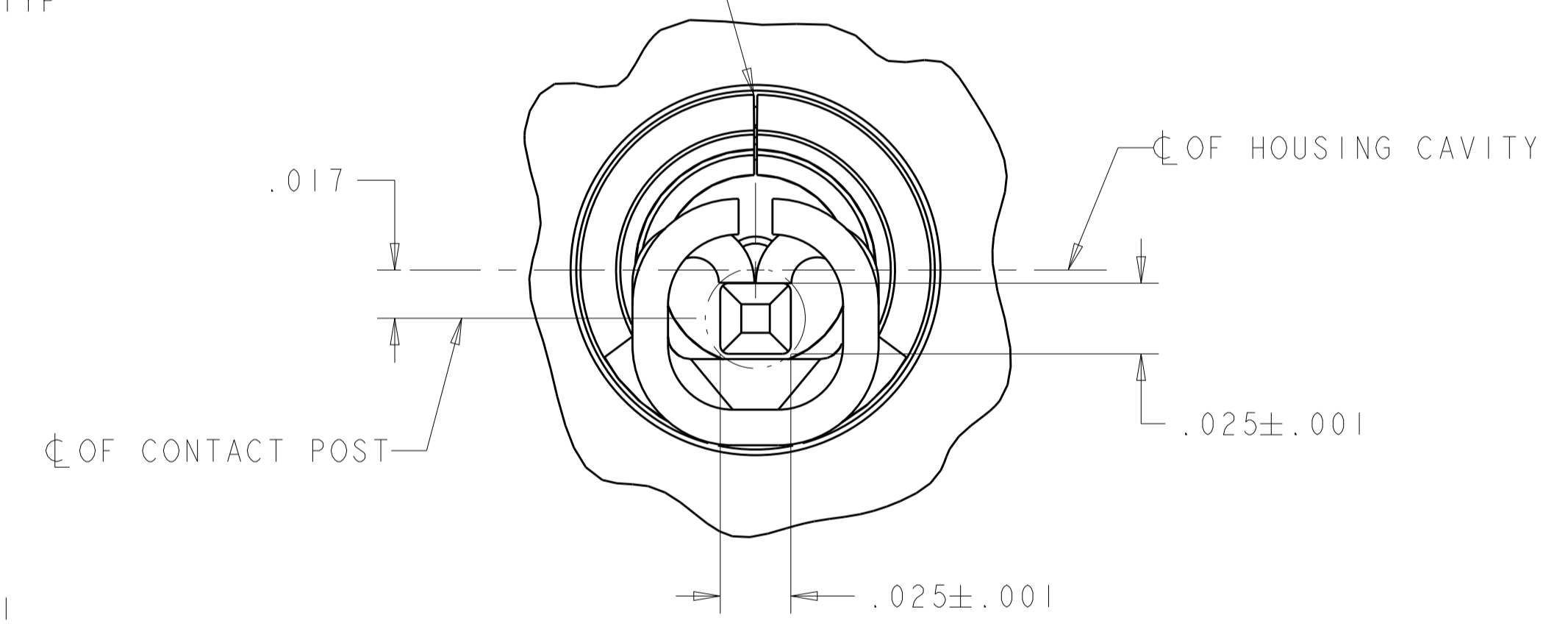


KEYING PLUG SEE TABLE
 PERIPHERAL SEAL
 Ø .150 ± .003
 4 PLC

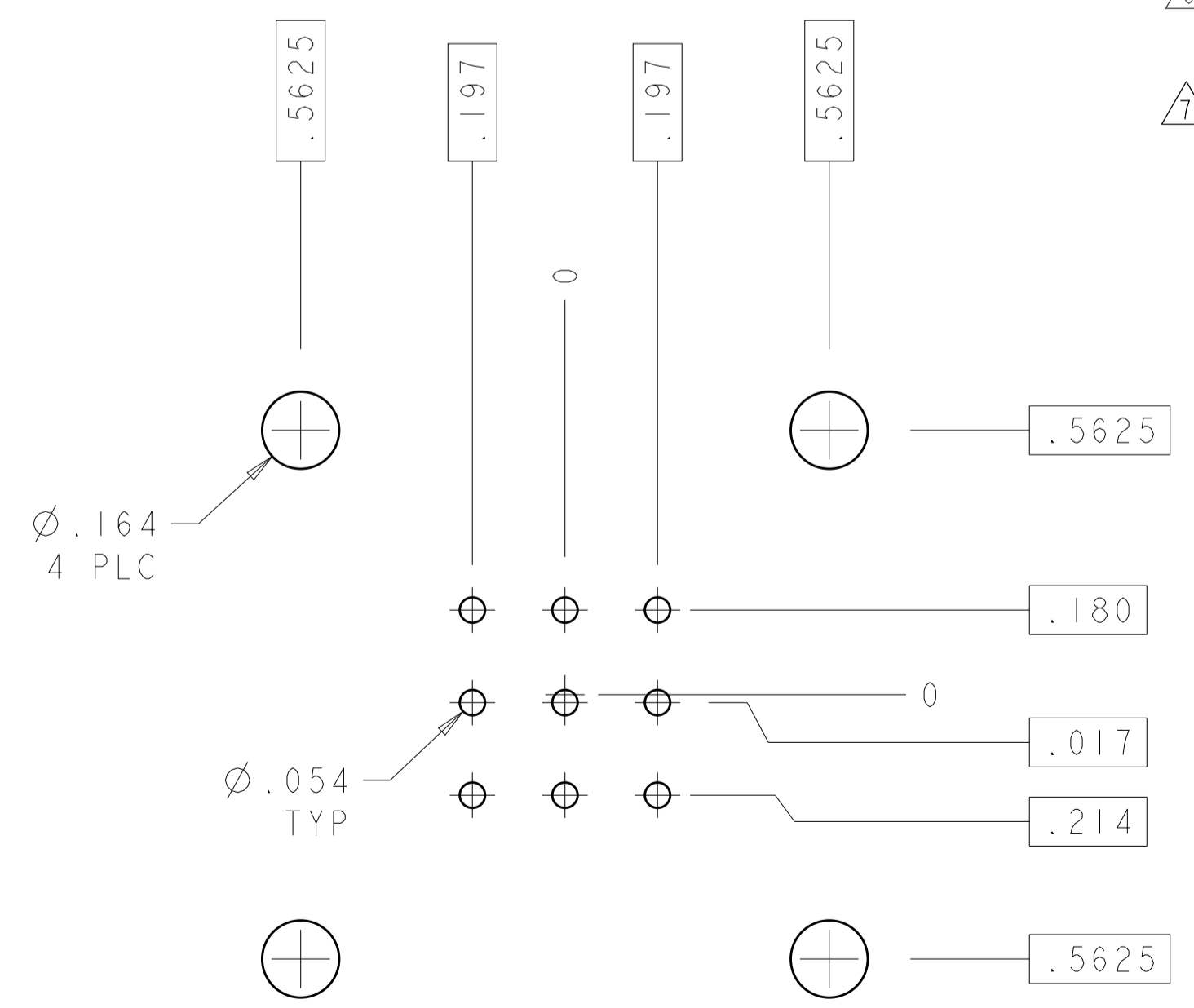
CONTACT
 SEE TABLE

HOUSING
 SEAM REF
 SEE DETAIL V

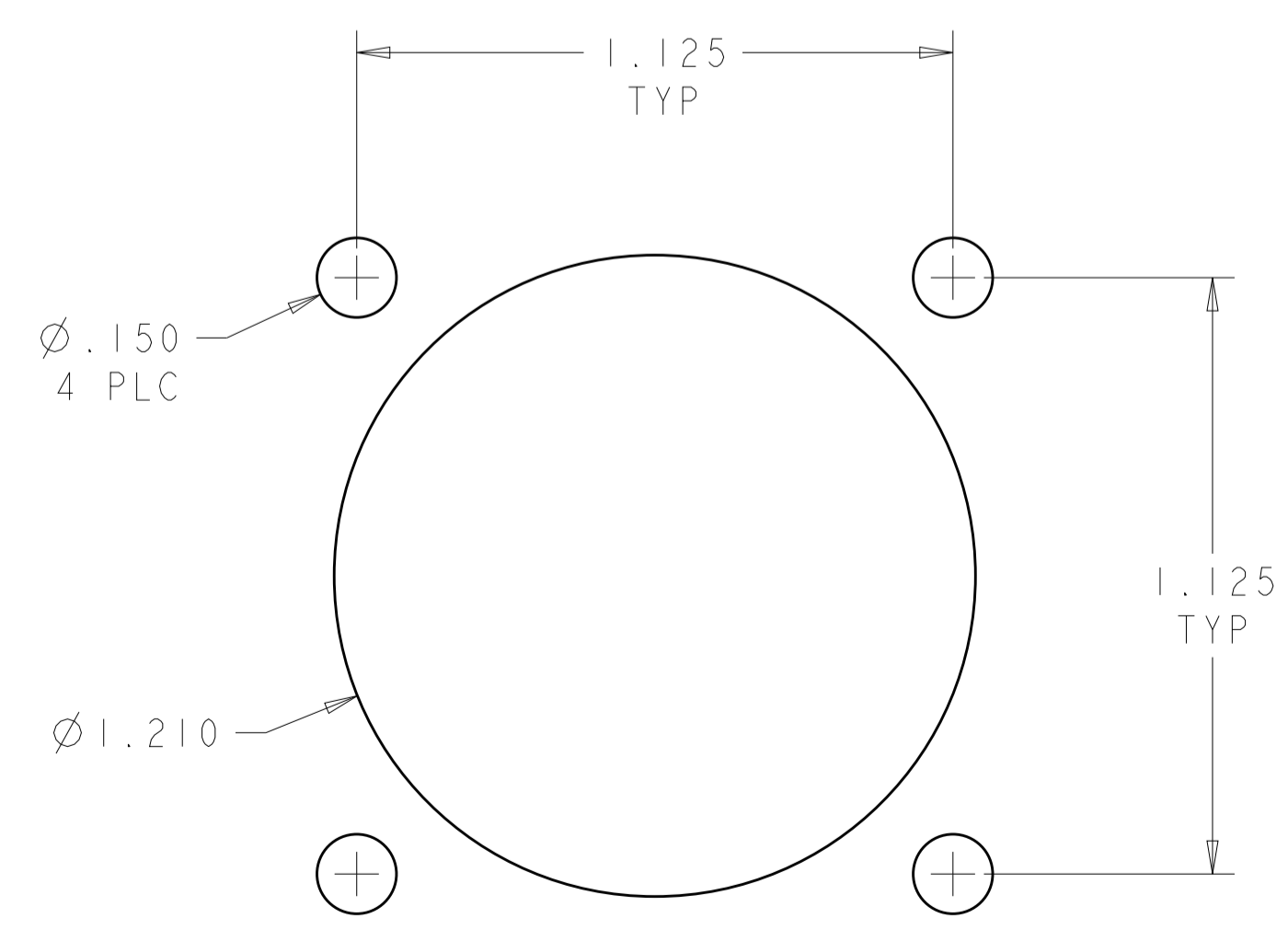
- △ HOUSING: NYLON, UL 94 V-0 RATED, BLACK.
- △ CONTACT:
 BODY - BRASS, .000100 MIN TIN-LEAD OVER .000050 MIN NICKEL.
 POST - BRASS, .000100 MIN TIN-LEAD OVER .000050 MIN NICKEL.
- △ CONTACT:
 BODY - BRASS, .000100 MIN TIN OVER .000050 MIN NICKEL.
 POST - BRASS, .000100 MIN TIN OVER .000050 MIN NICKEL.
- △ PERIPHERAL SEAL: ELASTOMER, BLACK.
- △ KEYING PLUG: NYLON, NATURAL.
- △ .009 MAXIMUM CONTACT LEAD-IN SEAM GAP PERMISSIBLE ON MATING FACE END.
- △ OBSOLETE PARTS: OBSOLETE CIS STREAMLINING PER D.RENAUD/D.SINISI



DETAIL V
 SCALE 20:1



RECOMMENDED PC BOARD LAYOUT
 SCALE 3:1



RECOMMENDED PANEL LAYOUT
 .125 MAX PANEL THICKNESS
 SCALE 3:1

KEYING PLUG	PERIPHERAL SEAL	FINISH	QTY	SELECT LOAD IN POSITIONS	PART NUMBER
△ POSN 9	YES	△ 8	8	1-8	1-213826-3
△ -	YES	△ 8	8	1-5, 7-9	1-213826-2
△ -	YES	△ 9	9	ALL	1-213826-1
△ POSN 9	YES	△ 8	8	1-8	1-213826-0
△ -	YES	△ 8	8	1-5, 7-9	213826-9
△ POSN 9	YES	△ 8	8	1-8	213826-8
△ -	YES	△ 8	8	1-5, 7-9	213826-7
△ POSN 9	YES	△ 8	8	1-8	213826-3
△ -	YES	△ 8	8	1-5, 7-9	213826-2
△ -	YES	△ 9	9	ALL	213826-1

THIS DRAWING IS A CONTROLLED DOCUMENT. DWN S.WELDON 23MAY2003
 CH S.HEADER 23MAY2003
 APVD S.HEADER 23MAY2003

DIMENSIONS: INCHES
 TOLERANCES UNLESS OTHERWISE SPECIFIED:
 0 PLC ±.0
 1 PLC ±.010
 2 PLC ±.015
 3 PLC ±.020
 4 PLC ±.030
 ANGLES ±.0000

MATERIAL: - FINISH: - WEIGHT: -

CUSTOMER DRAWING

SCALE 4:1 SHEET 1 OF 1 REV R

RECEPTACLE ASSEMBLY, POSTED, REVERSE SEX, SERIES 1, 17-9, CPC

SIZE: 114-10004
 WEIGHT: 114-10004
 PART NUMBER: A100779C=213826

X-ON Electronics

Largest Supplier of Electrical and Electronic Components

Click to view similar products for [Standard Circular Connector](#) category:

Click to view products by [TE Connectivity](#) manufacturer:

Other Similar products are found below :

[5M2530B10P](#) [600259N006](#) [600273N007](#) [6134-336-13149](#) [6134-337-11149](#) [6134-337-2390](#) [6134-341-17149](#) [6280-4SG-516](#) [6280-7SG-3DC](#)
[6290](#) [6291A](#) [66200A-10](#) [680-SMG](#) [681-PMG](#) [CXS3102A14S2P](#) [CXS3102A181S](#) [7251-5SG-300](#) [7271-6SG-300](#) [7282-3PG-300-CH3](#) [75-](#)
[474618-01S](#) [75-474618-04P](#) [75-474618-04S](#) [799539-000](#) [MI8-SE](#) [805-005-07NF11-19PC](#) [805-005-07NF15-7PA](#) [8280-4PG-516](#) [8280-7PG-](#)
[519](#) [8282-5PG-519](#) [836783-1](#) [MP-4102-25P-C](#) [862256-1](#) [864019-2](#) [866857-1](#) [867865-1](#) [PT01SP-14-18P](#) [PT08P-14-5S](#) [PTSF06SE-14-12S](#)
[120-1833-000](#) [QCM019PC2DC012B](#) [1-2069279-1](#) [121583-0217](#) [121667-0020](#) [129591AU](#) [1000B BULK](#) [RD10A16-19-P6CS051/1](#)
[RD10A20-31-P8CS051/1](#) [RD16A14-12-S6CS051/2](#) [1301240290](#) [1301240347](#) [1301860202](#)