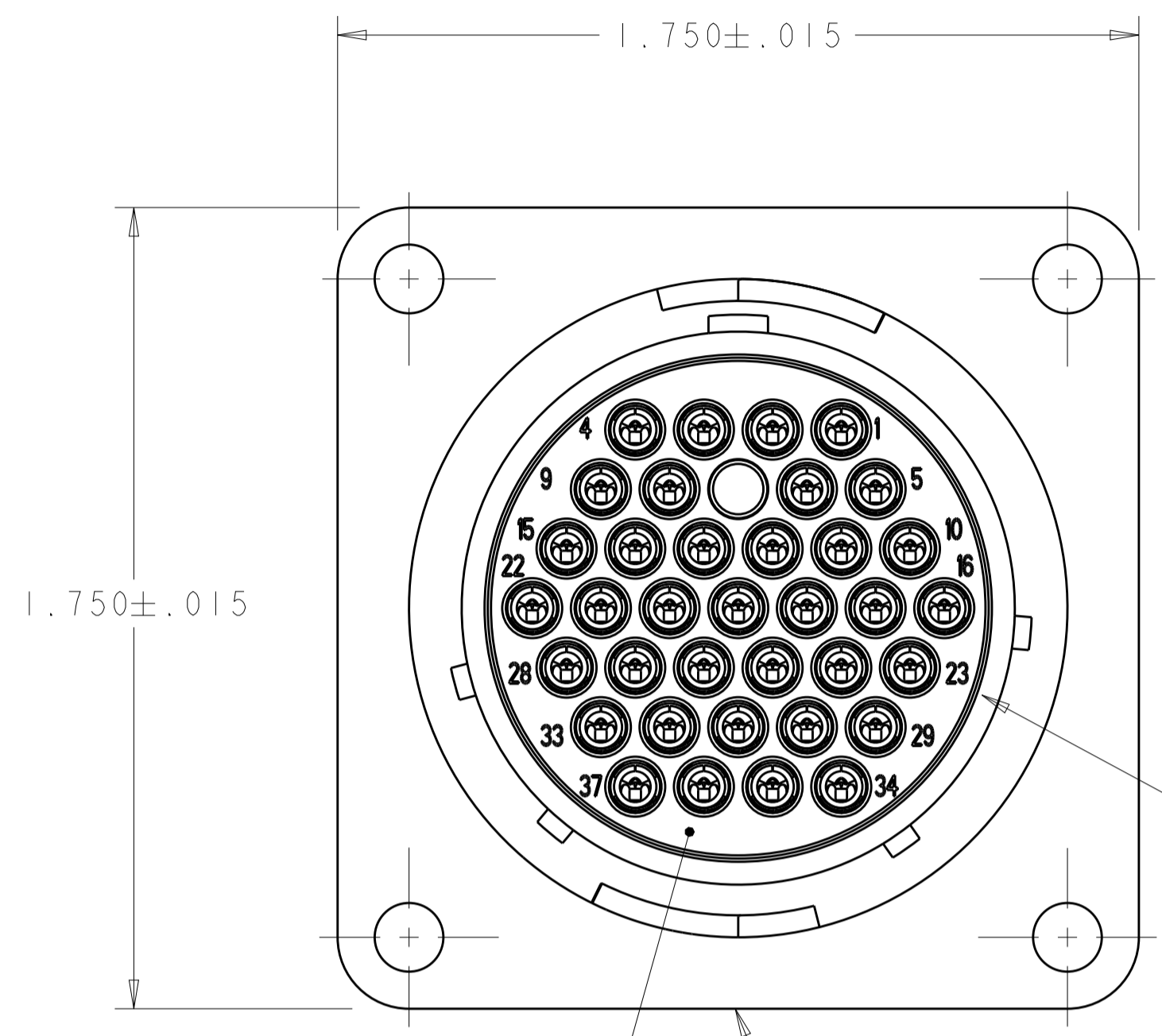
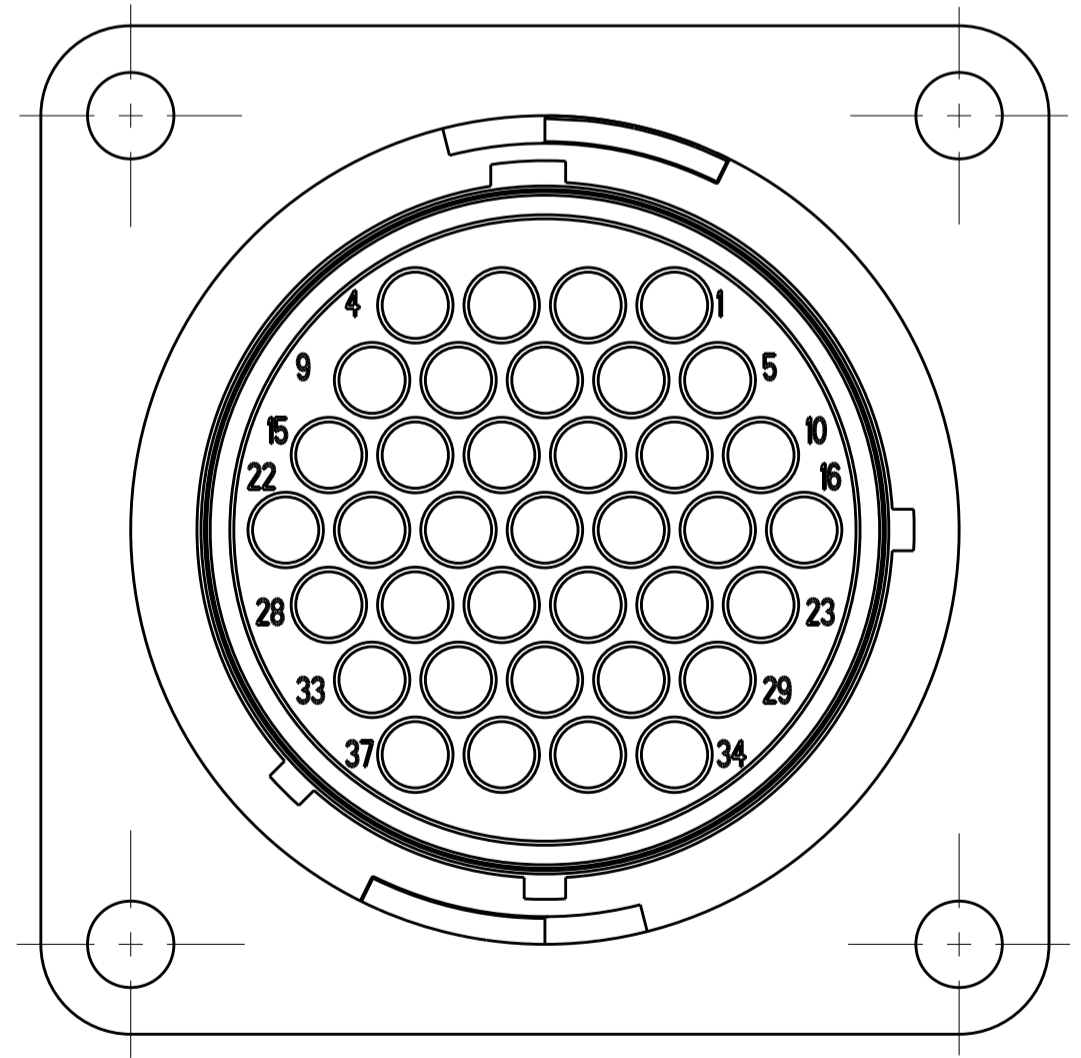
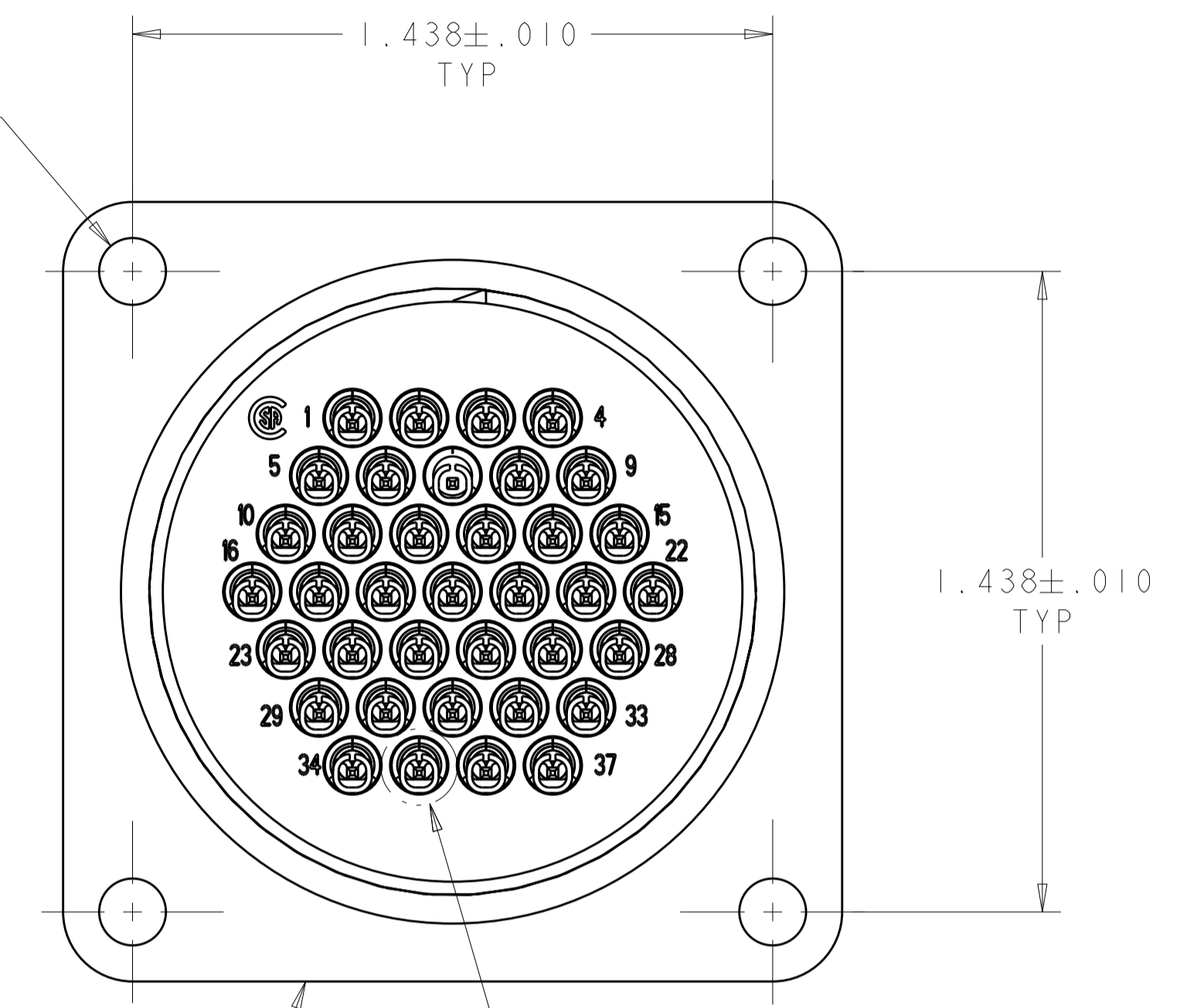
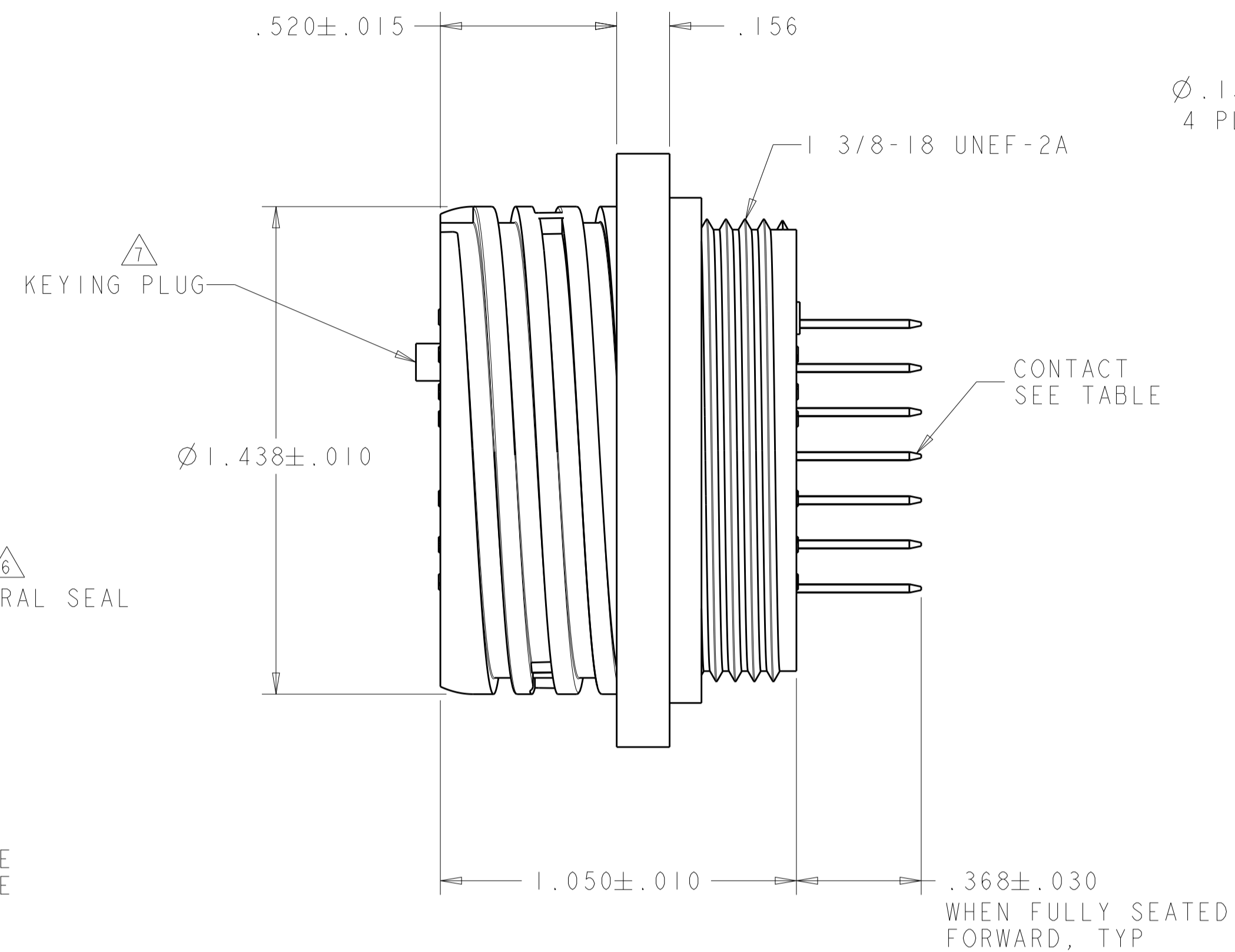


REVISIONS					
P.	LTN	DESCRIPTION	DATE	DWN	APVD
W		REVISED PER ECO-12-015665	26SEP12	KH	MZ
Y		REVISED PER ECO-16-018356	23MAR2017	RS	MZ
Z		REVISED PER ECO-19-011232	07AUG2019	RS	MZ



"A" STYLE KEYING



"B" STYLE KEYING

- △ HOUSING: THERMOPLASTIC, COLOR: BLACK.
- △ CONTACT:
BODY - .000100 MIN TIN-LEAD OVER .000050 MIN NICKEL.
POST - .000100 MIN TIN-LEAD OVER .000050 MIN NICKEL.
- △ CONTACT:
BODY - .000030 MIN GOLD FOR A LENGTH OF .200 MIN FROM MATING END, .000005 MIN GOLD ON REMAINDER ALL OVER .000030 MIN NICKEL.
POST - .000100 MIN TIN-LEAD OVER .000050 MIN NICKEL.
- △ CONTACT:
BODY - .000100 MIN TIN-LEAD OVER .000050 MIN NICKEL.
POST - .000030 MIN GOLD OVER .000050 MIN NICKEL.
- △ CONTACT:
BODY - .000100 MIN TIN OVER .000050 MIN NICKEL.
POST - .000100 MIN TIN OVER .000050 MIN NICKEL.
- △ PERIPHERAL SEAL: ELASTOMER, COLOR: BLACK.
- △ KEYING PLUG: NYLON, COLOR: NATURAL.
- △ .009 MAXIMUM CONTACT LEAD-IN SEAM GAP PERMISSIBLE ON MATING FACE END.
- △ OBSOLETE PARTS: OBSOLETE CIS STREAMLINING PER D.RENAUD/D.SINISI

OBSOLETE	YES	B	POSN 7	△5	1-6,8-37	1-213828-9	
	YES	A	-	△5	1-22,29-37	1-213828-8	
	YES	A	-	△5	ALL	1-213828-6	
	YES	B	POSN 7	△5	1-6,8-37	1-213828-5	
	YES	A	-	△5	1-22,29-37	1-213828-4	
	YES	A	POSN 15	△5	1-14,16-37	1-213828-3	
	YES	B	POSN 7	△2	2-6,8-37	1-213828-2	
	YES	B	POSN 7	△2	1-6,8-37	1-213828-1	
	YES	A	-	△2	1-22,29-37	1-213828-0	
OBSOLETE	YES	A	-	△4	ALL	213828-9	
△9	OBSOLETE	YES	B	POSN 7	△2	2-6,8-37	213828-8
OBSOLETE	NO	A	-	△3	1-22,29-37	213828-7	
OBSOLETE	NO	B	POSN 7	△3	1-6,8-37	213828-6	
OBSOLETE	NO	A	POSN 15	△3	1-14,16-37	213828-5	
△9	OBSOLETE	YES	B	POSN 7	△2	1-6,8-37	213828-4
△9	OBSOLETE	YES	A	POSN 15	△2	1-14,16-37	213828-3
△9	OBSOLETE	YES	A	-	△2	1-22,29-37	213828-2
△9	OBSOLETE	YES	A	-	△2	ALL	213828-1
	PERIPHERAL SEAL	KEYING STYLE	KEYING PLUG	CONTACT FINISH	SELECT LOADED IN POSITIONS	PART NUMBER	

THIS DRAWING IS A CONTROLLED DOCUMENT. DWN S.WELDON 22MAY2003
 CH S.HEADER 22MAY2003
 APVD S.HEADER 22MAY2003

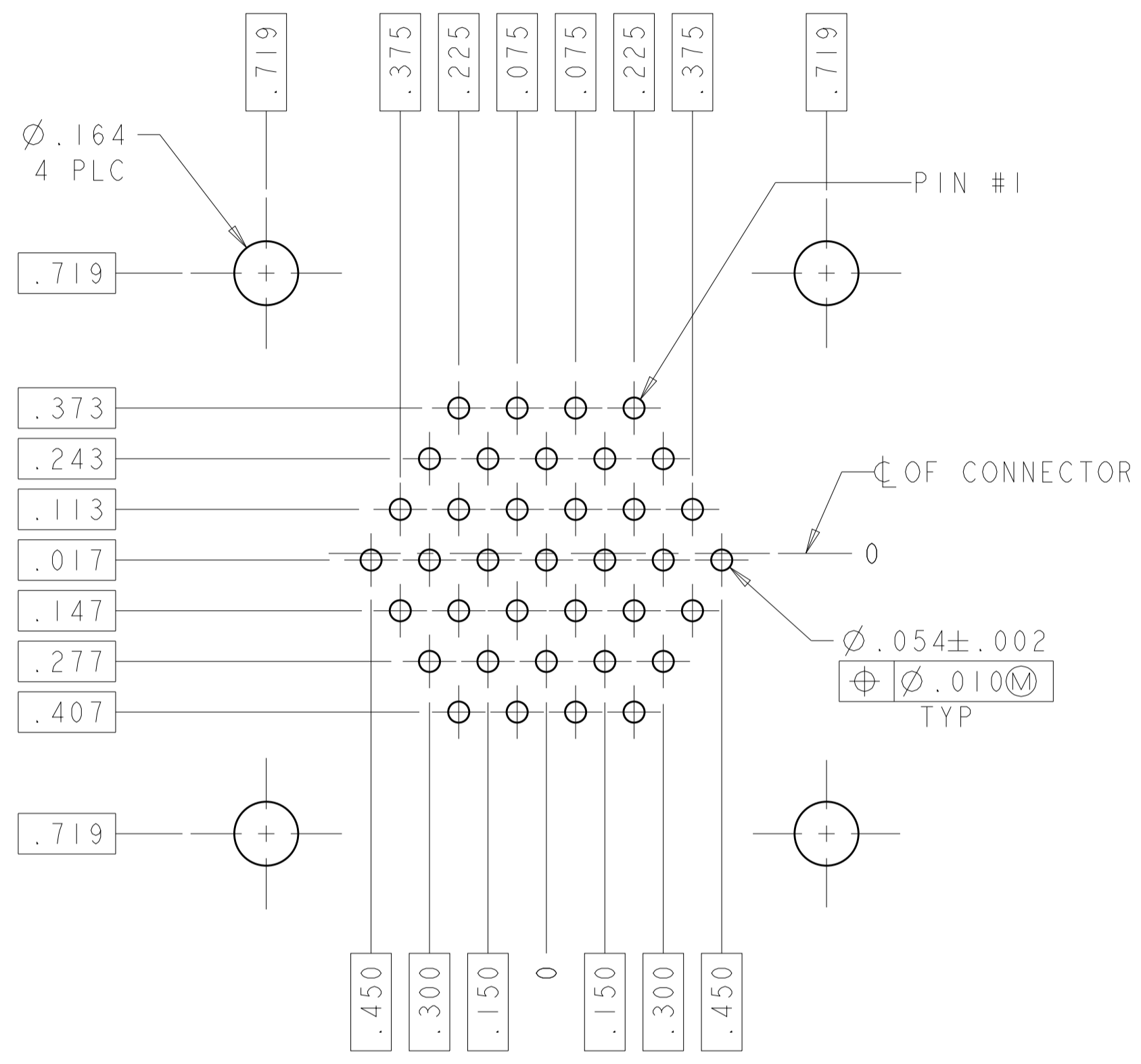
TE Connectivity

RECEPTACLE ASSEMBLY, POSTED, REVERSE SEX, SERIES 1, 23-37, CPC

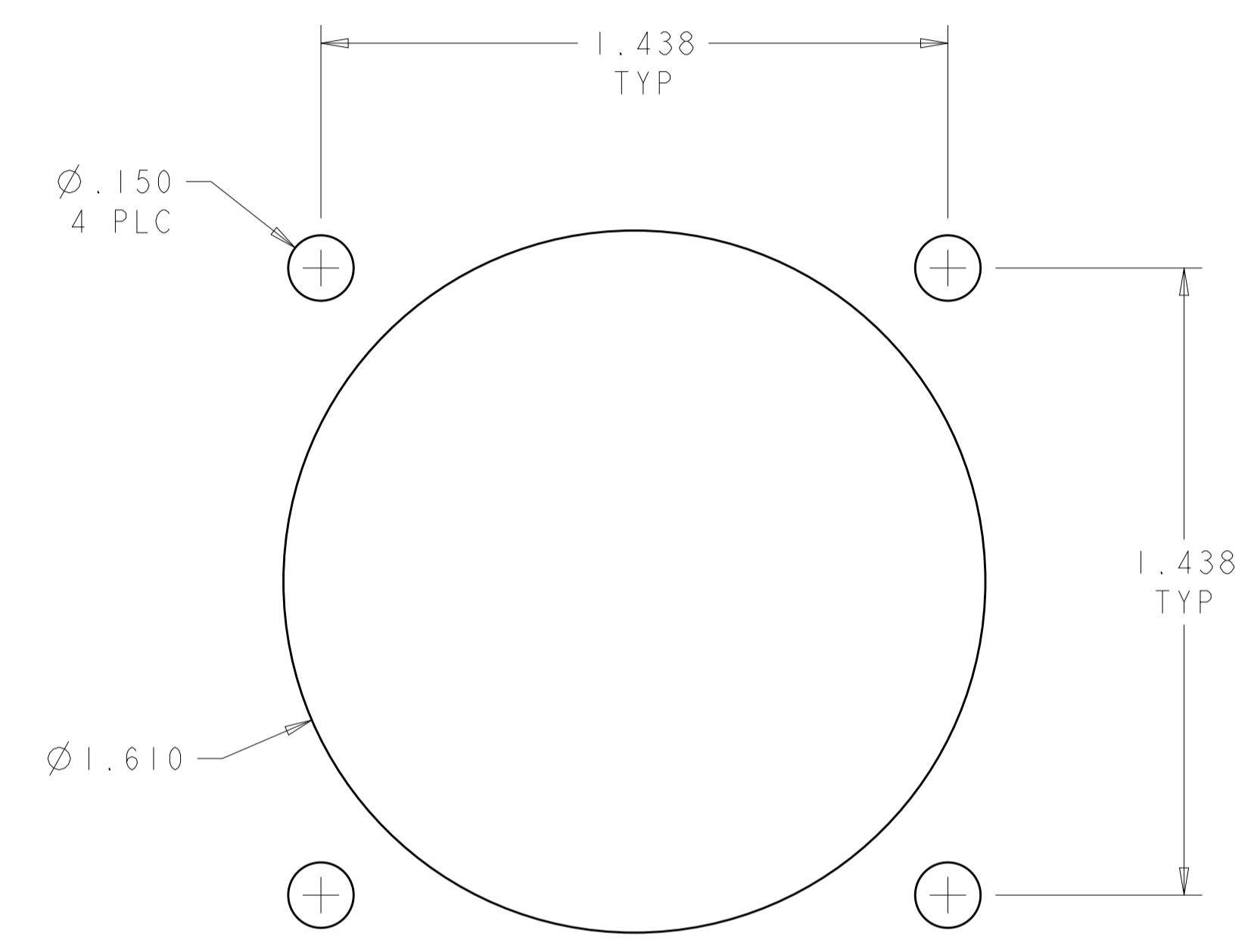
SIZE CAGE CODE DRAWING NO RESTRICTED TO
 A100779C=213828

CUSTOMER DRAWING SCALE 3:1 SHEET 1 OF 2 REV Z

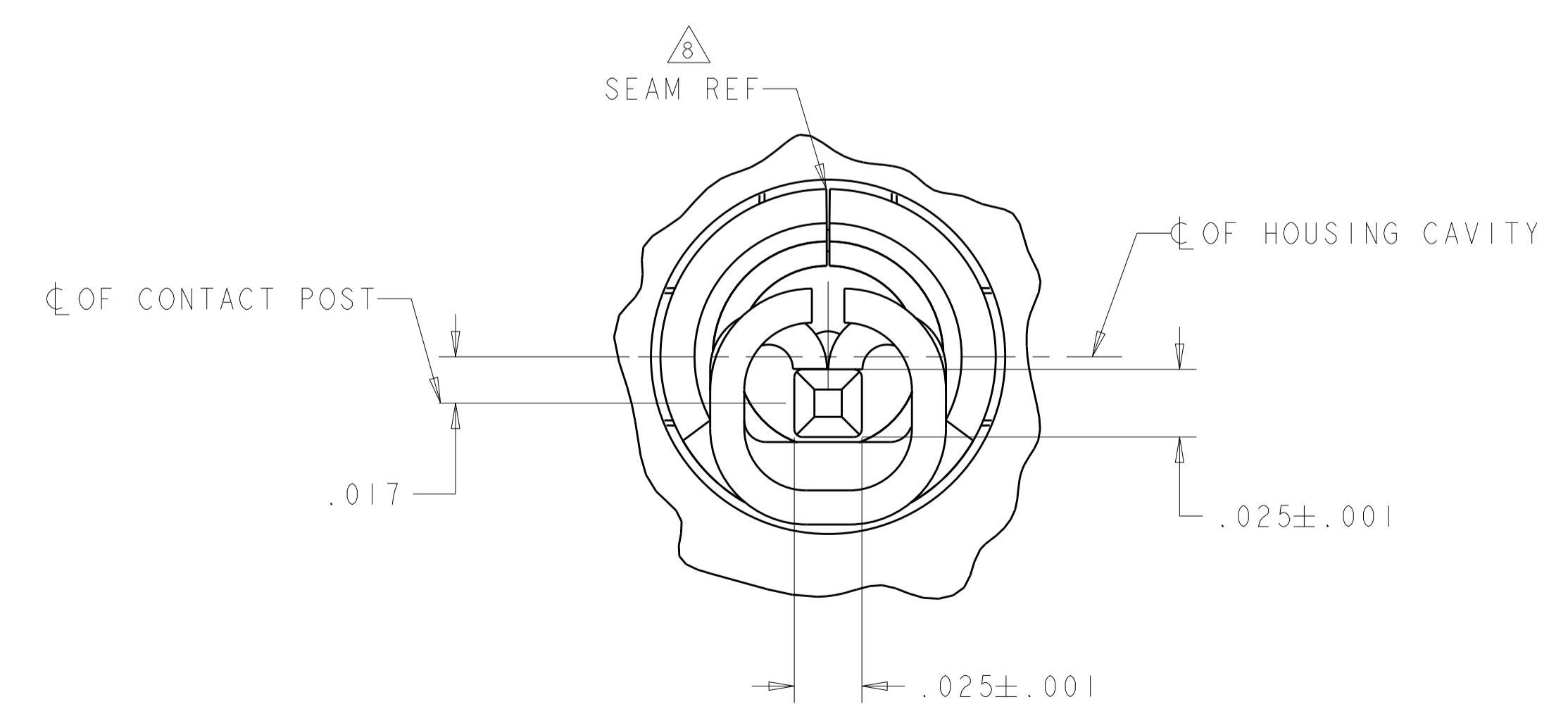
REVISIONS				
P.	LTN	DESCRIPTION	DATE	APVD
-	-	SEE SHEET 1	-	-



RECOMMENDED PC BOARD LAYOUT



RECOMMENDED PANEL CUTOUT
 .125 MAX PANEL THICKNESS



DETAIL V
 SCALE 20:1

THIS DRAWING IS A CONTROLLED DOCUMENT.		DWN S. WELDON 22MAY2003	TE Connectivity
DIMENSIONS: INCHES		CHK S. HEADER 22MAY2003	
TOLERANCES UNLESS OTHERWISE SPECIFIED:		APVD S. HEADER 22MAY2003	NAME RECEPTACLE ASSEMBLY, POSTED, REVERSE SEX, SERIES 1, 23-37, CPC
0 PLC $\pm .0$	1 PLC ± 0.0	PRODUCT SPEC 108-10024	SIZE CAGE CODE DRAWING NO RESTRICTED TO
2 PLC ± 0.00	3 PLC ± 0.010	APPLICATION SPEC 114-10004	A100779C=213828
4 PLC ± 0.0000	ANGLES $\pm .$	WEIGHT -	CUSTOMER DRAWING
MATERIAL -		SCALE 3:1	SHEET 2 OF 2 REV Z

X-ON Electronics

Largest Supplier of Electrical and Electronic Components

Click to view similar products for [Standard Circular Connector](#) category:

Click to view products by [TE Connectivity](#) manufacturer:

Other Similar products are found below :

[5M2530B10P](#) [600259N006](#) [600273N007](#) [6134-336-13149](#) [6134-337-11149](#) [6134-337-2390](#) [6134-341-17149](#) [6280-4SG-516](#) [6280-7SG-3DC](#)
[6290](#) [6291A](#) [66200A-10](#) [680-SMG](#) [681-PMG](#) [CXS3102A14S2P](#) [CXS3102A181S](#) [7251-5SG-300](#) [7271-6SG-300](#) [7282-3PG-300-CH3](#) [75-](#)
[474618-01S](#) [75-474618-04P](#) [75-474618-04S](#) [799539-000](#) [MI8-SE](#) [805-005-07NF11-19PC](#) [805-005-07NF15-7PA](#) [8280-4PG-516](#) [8280-7PG-](#)
[519](#) [8282-5PG-519](#) [836783-1](#) [MP-4102-25P-C](#) [862256-1](#) [864019-2](#) [866857-1](#) [867865-1](#) [PT01SP-14-18P](#) [PT08P-14-5S](#) [PTSF06SE-14-12S](#)
[120-1833-000](#) [QCM019PC2DC012B](#) [1-2069279-1](#) [121583-0217](#) [121667-0020](#) [129591AU](#) [1000B BULK](#) [RD10A16-19-P6CS051/1](#)
[RD10A20-31-P8CS051/1](#) [RD16A14-12-S6CS051/2](#) [1301240290](#) [1301240347](#) [1301860202](#)