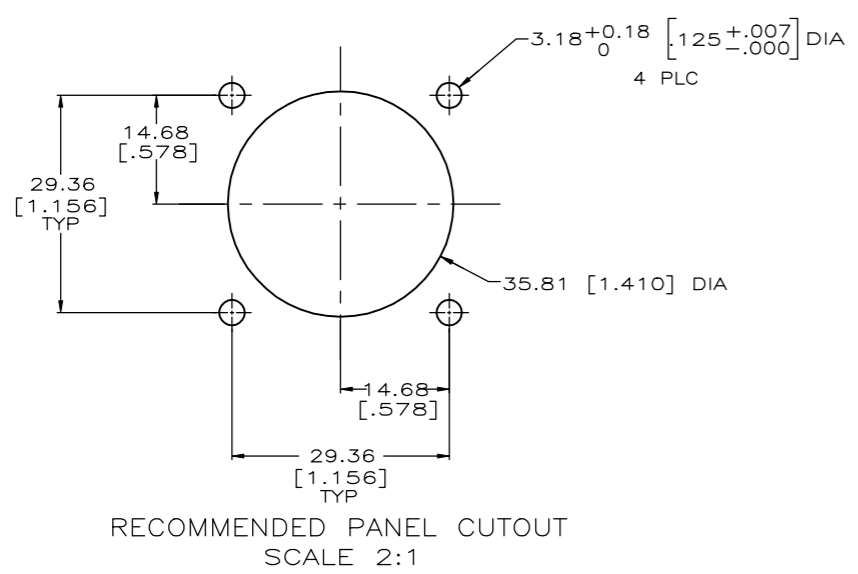
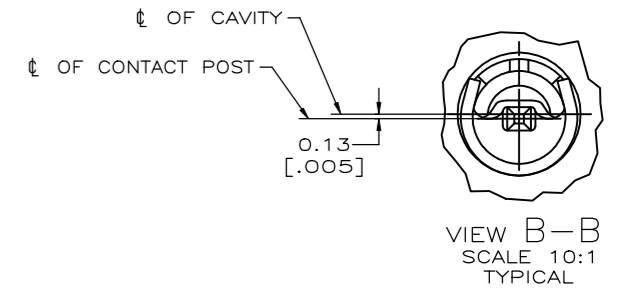
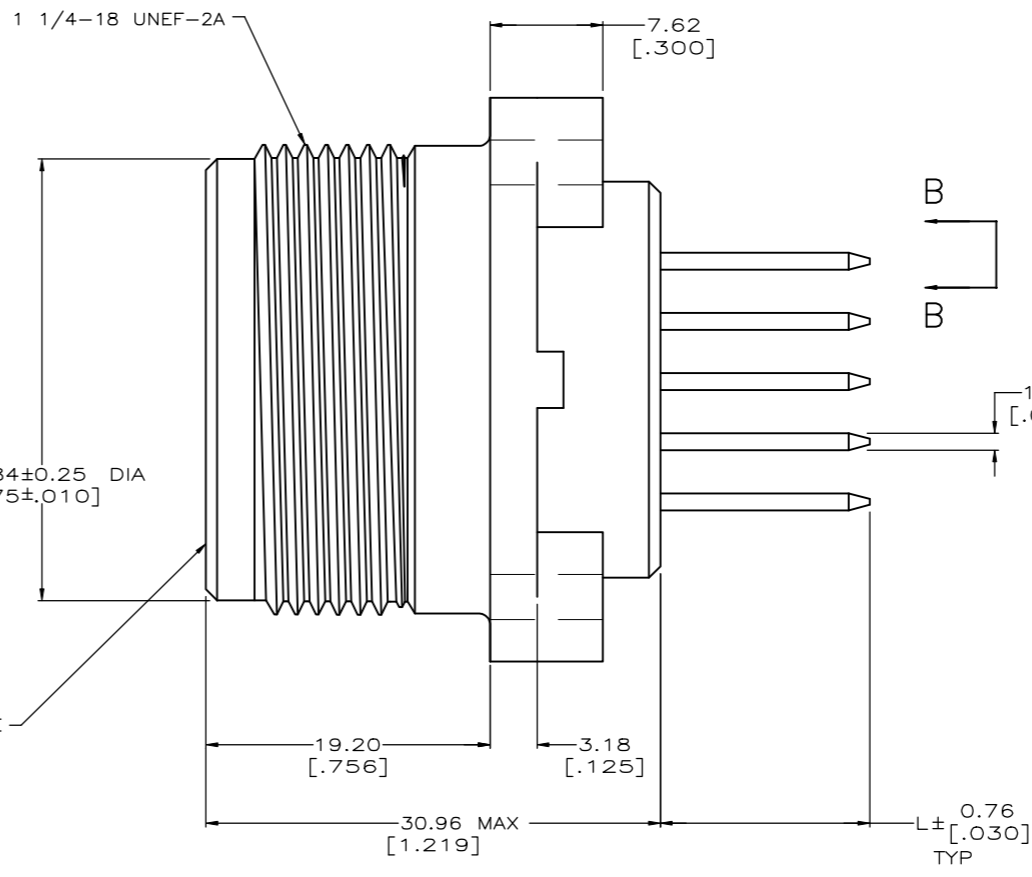
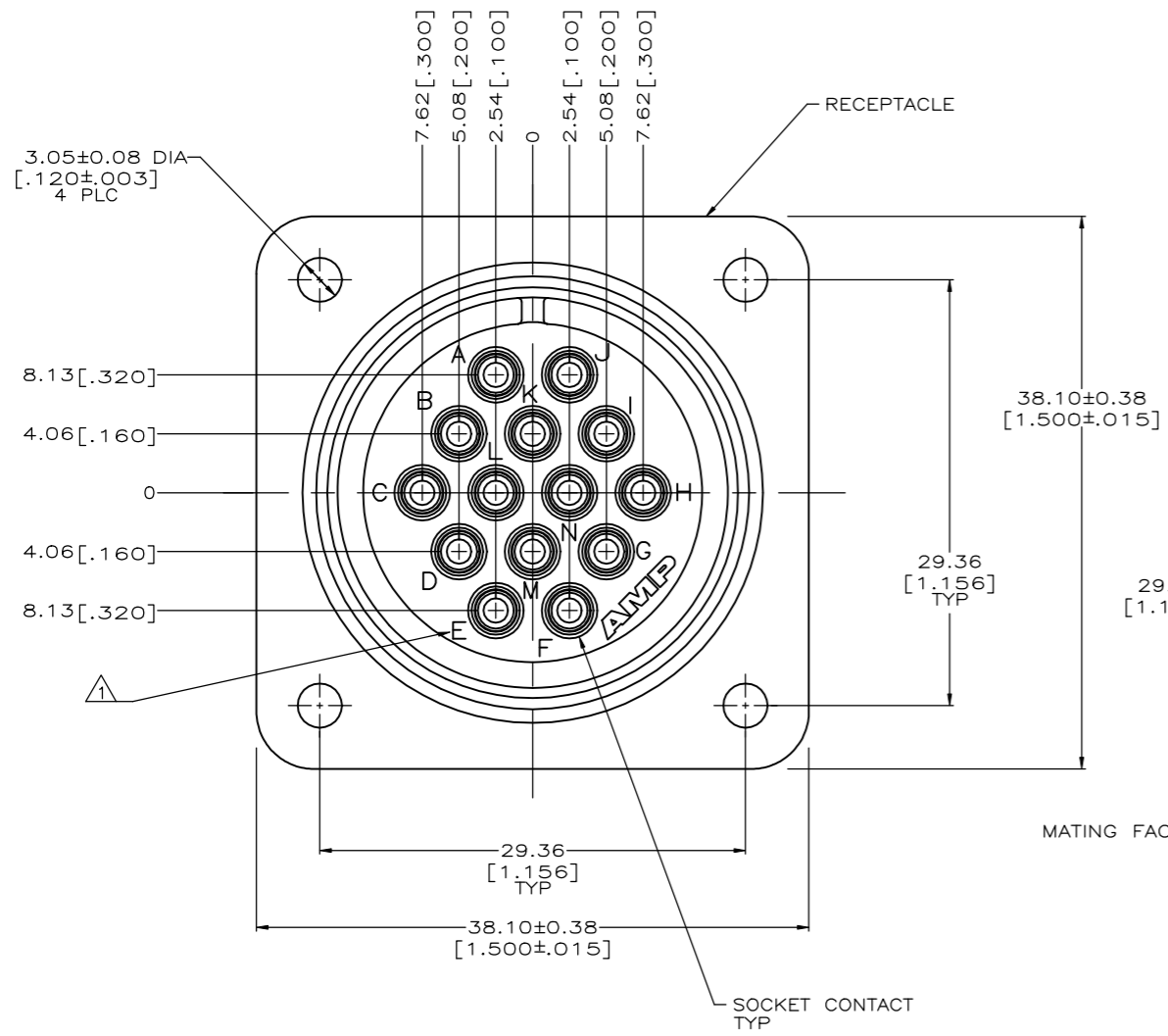


THIS DRAWING IS UNPUBLISHED. RELEASED FOR PUBLICATION. ALL RIGHTS RESERVED.

REVISIONS					
#	LTR	DESCRIPTION	DATE	DMN	APFD
C3		REVISED PER ECO-16-004800	08SEP2016	NK	MZ
D		REVISED PER ECO-17-004657	05APR2017	RS	MZ
E		REVISED PER ECO-18-015685	05OCT2018	RS	MZ



- △ CAVITY IDENTIFICATION CHARACTERS ON FRONT AND REAR FACE.
- △ RECEPTACLE: NYLON, UL 94V-0 RATED, BLACK.
CONTACT AND POST: BRASS.
SPRING: STAINLESS STEEL.
- △ SOCKET CONTACT AND POST: 2.54um [.000100] MIN TIN-LEAD OVER 1.27um [.000050] MIN NICKEL.
- △ SOCKET CONTACT AND POST: 2.54um [.000100] MIN TIN OVER 1.27um [.000050] MIN NICKEL.
- △ OBSOLETE PARTS: OBSOLETE CIS STREAMLINING PER D.RENAUD/D.SINISI
- △ PRELIMINARY PART

DIM L	FINISH	POSITIONS LOADED	PART NUMBER
9.14 [.360]	△ 4	ALL	1-213928-5
OBSOLETE	△ 4	B, C, D, E, F, H, I, J, L, M, N	-1-213928-4
	△ 4	A, B, C, D, E, F, G, H, K	-1-213928-3
OBSOLETE	△ 4	A, B, C, D, E, K	1-213928-2
	△ 4	ALL	1-213928-1
OBSOLETE	△ 4	B, C, D, E, F, H, I, J, L, M, N	-213928-4
	△ 3	A, B, C, D, E, F, G, H, K	-213928-3
OBSOLETE	△ 3	A, B, C, D, E, K	-213928-2
	△ 3	ALL	-213928-1

THIS DRAWING IS A CONTROLLED DOCUMENT. DMN: C.OBERMAN 31 OCT 95
CHK: R.STONE 1 NOV 95
APFD: R.BYERS 2 NOV 95

TE Connectivity

RECEPTACLE ASSEMBLY, 20-14, REVERSE SEX, CPC

DIMENSIONS: mm [INCHES]	TOLERANCES UNLESS OTHERWISE SPECIFIED:	SIZE: A1	CAGE CODE: 00779	DRAWING NO: 213928	RESTRICTED TO: -
0 PLC ± -	1 PLC ± -	WEIGHT: -	SCALE: 4:1	SHEET: 1 OF 1	REV: E
2 PLC ± 0.13 [.005]	3 PLC ± -	CUSTOMER DRAWING			
4 PLC ± -	ANGLES ± -				

X-ON Electronics

Largest Supplier of Electrical and Electronic Components

Click to view similar products for [Standard Circular Connector](#) category:

Click to view products by [TE Connectivity](#) manufacturer:

Other Similar products are found below :

[5M2530B10P](#) [600259N006](#) [600273N007](#) [6134-336-13149](#) [6134-337-11149](#) [6134-337-2390](#) [6134-341-17149](#) [6280-4SG-516](#) [6280-7SG-3DC6290](#) [6291A](#) [66200A-10](#) [680-SMG](#) [681-PMG](#) [CXS3102A14S2P](#) [CXS3102A181S](#) [7251-5SG-300](#) [7271-6SG-300](#) [7282-3PG-300-CH3](#) [75-474618-01S](#) [75-474618-04P](#) [75-474618-04S](#) [799539-000](#) [MI8-SE](#) [805-005-07NF11-19PC](#) [805-005-07NF15-7PA](#) [8280-4PG-516](#) [8280-7PG-519](#) [8282-5PG-519](#) [836783-1](#) [MP-4102-25P-C](#) [862256-1](#) [864019-2](#) [866857-1](#) [867865-1](#) [PT01SP-14-18P](#) [PT08P-14-5S](#) [PTSF06SE-14-12S120-1833-000](#) [QCM019PC2DC012B](#) [1-2069279-1](#) [121583-0217](#) [121667-0020](#) [129591AU](#) [1000B BULK](#) [RD10A16-19-P6CS051/1](#)
[RD10A20-31-P8CS051/1](#) [RD16A14-12-S6CS051/2](#) [1301240290](#) [1301240347](#) [1301860202](#)