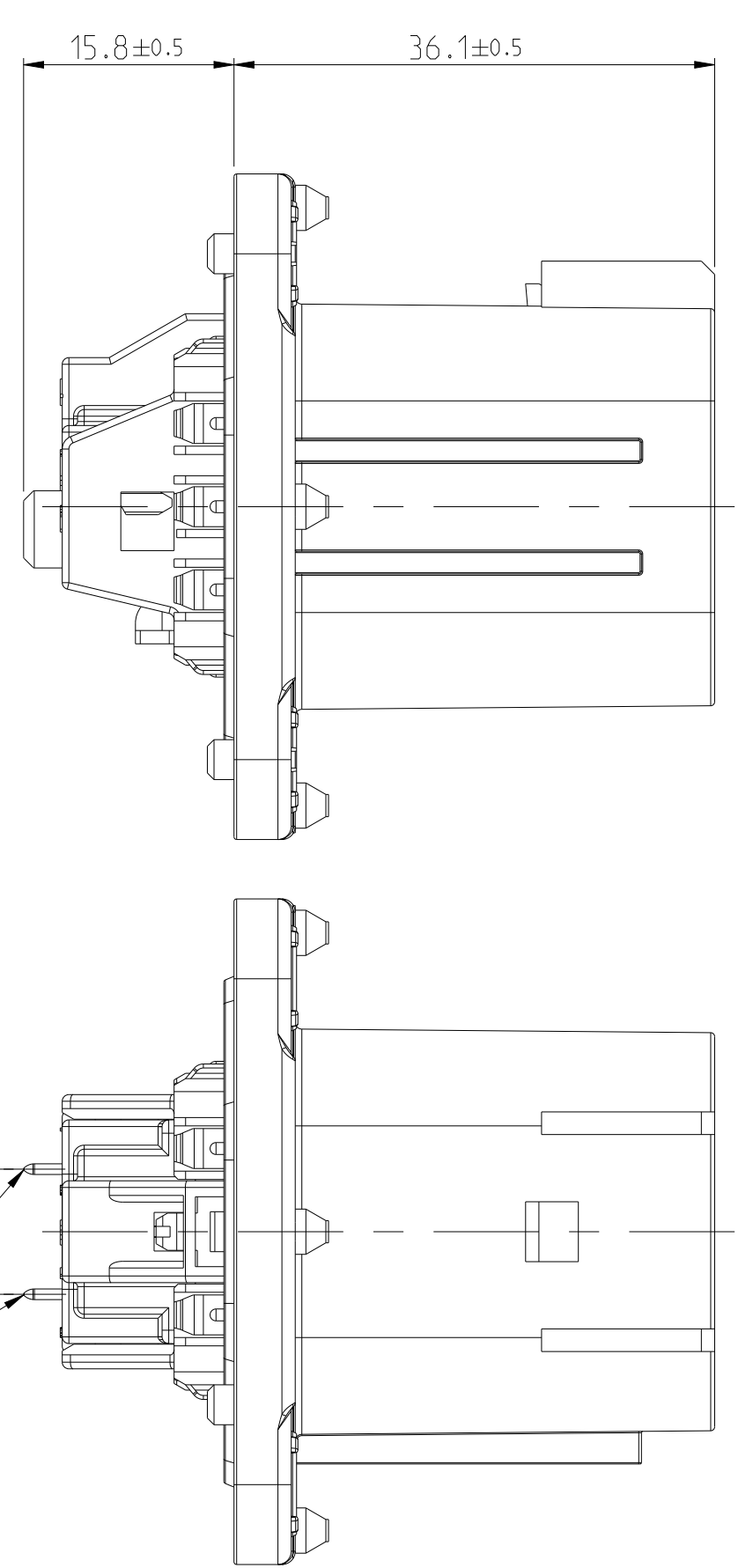
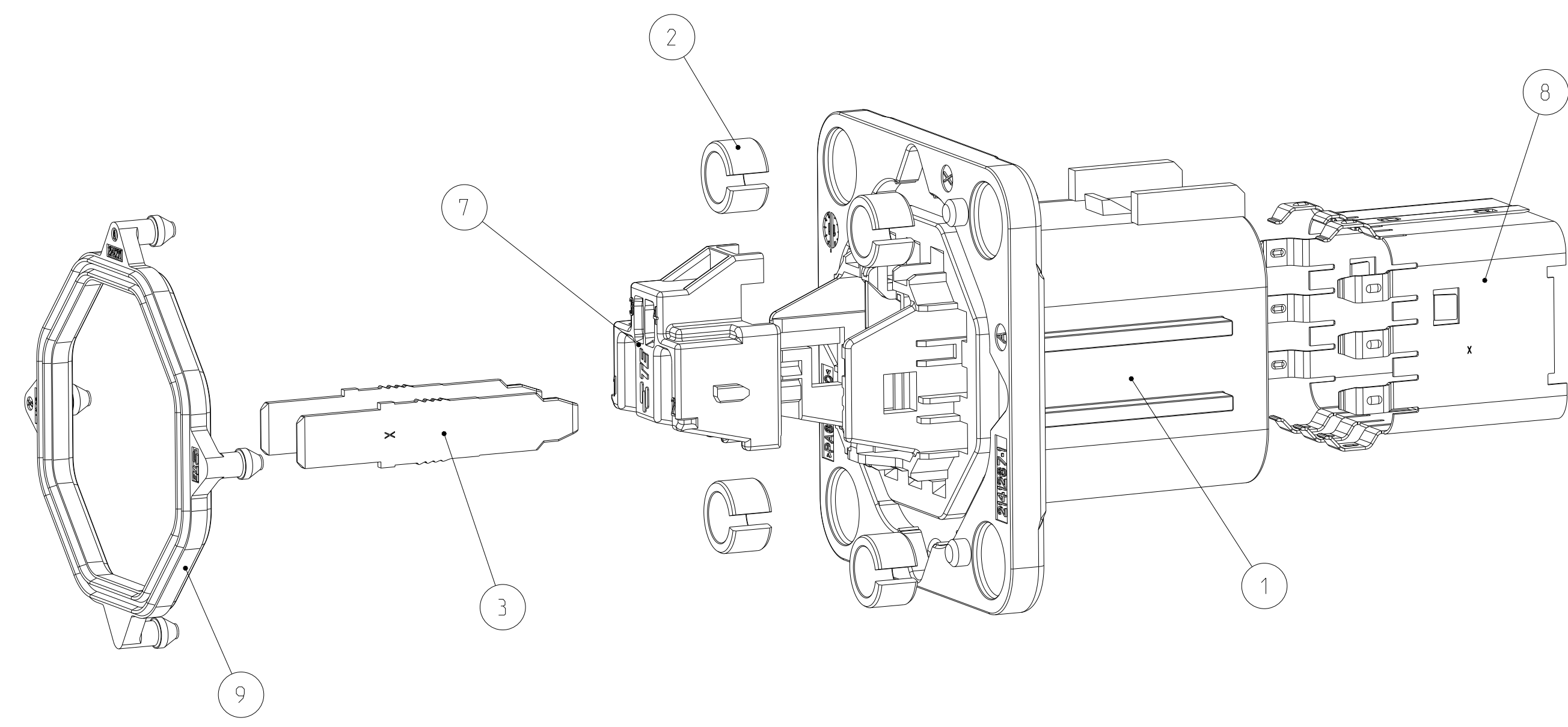
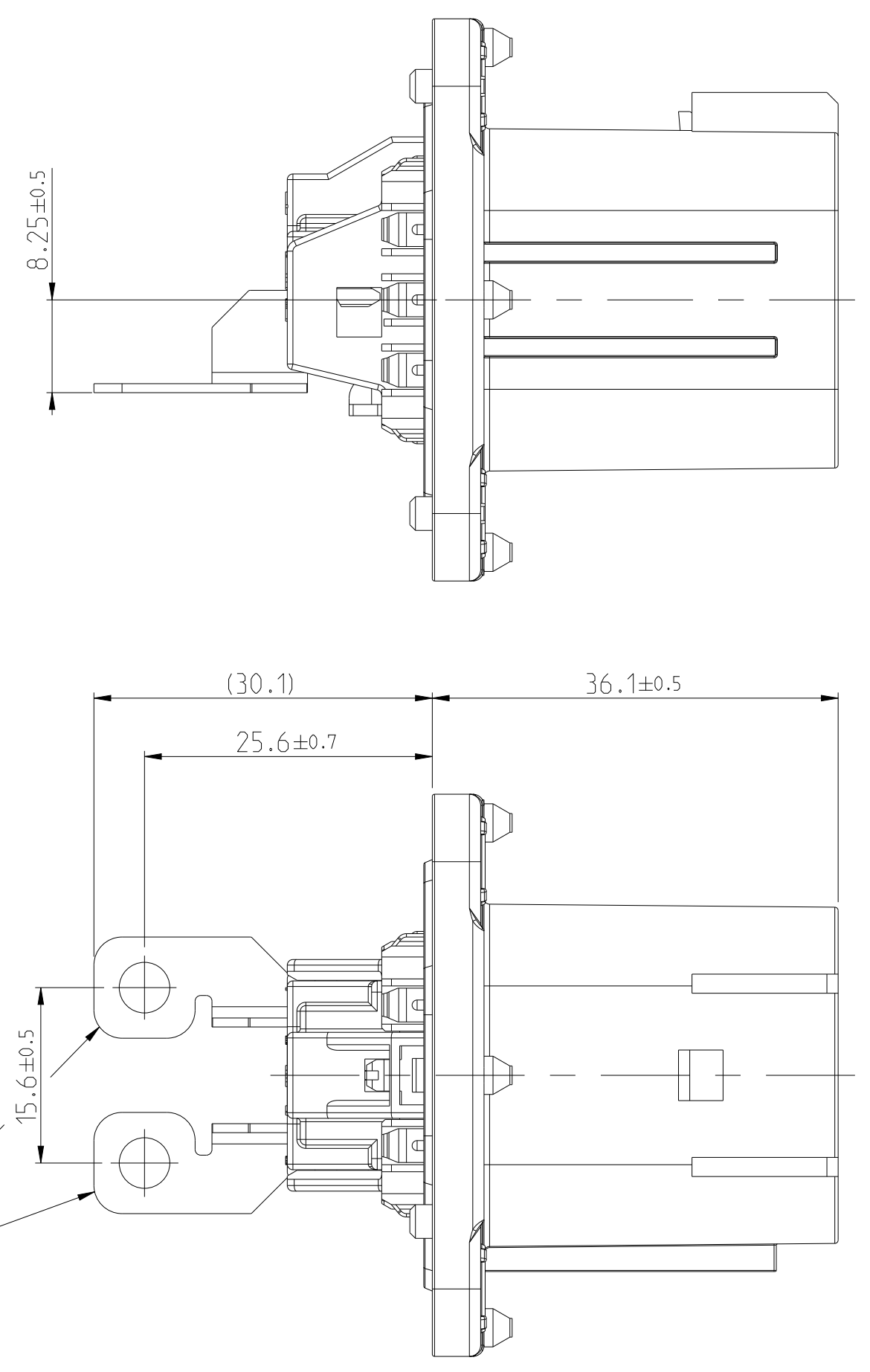
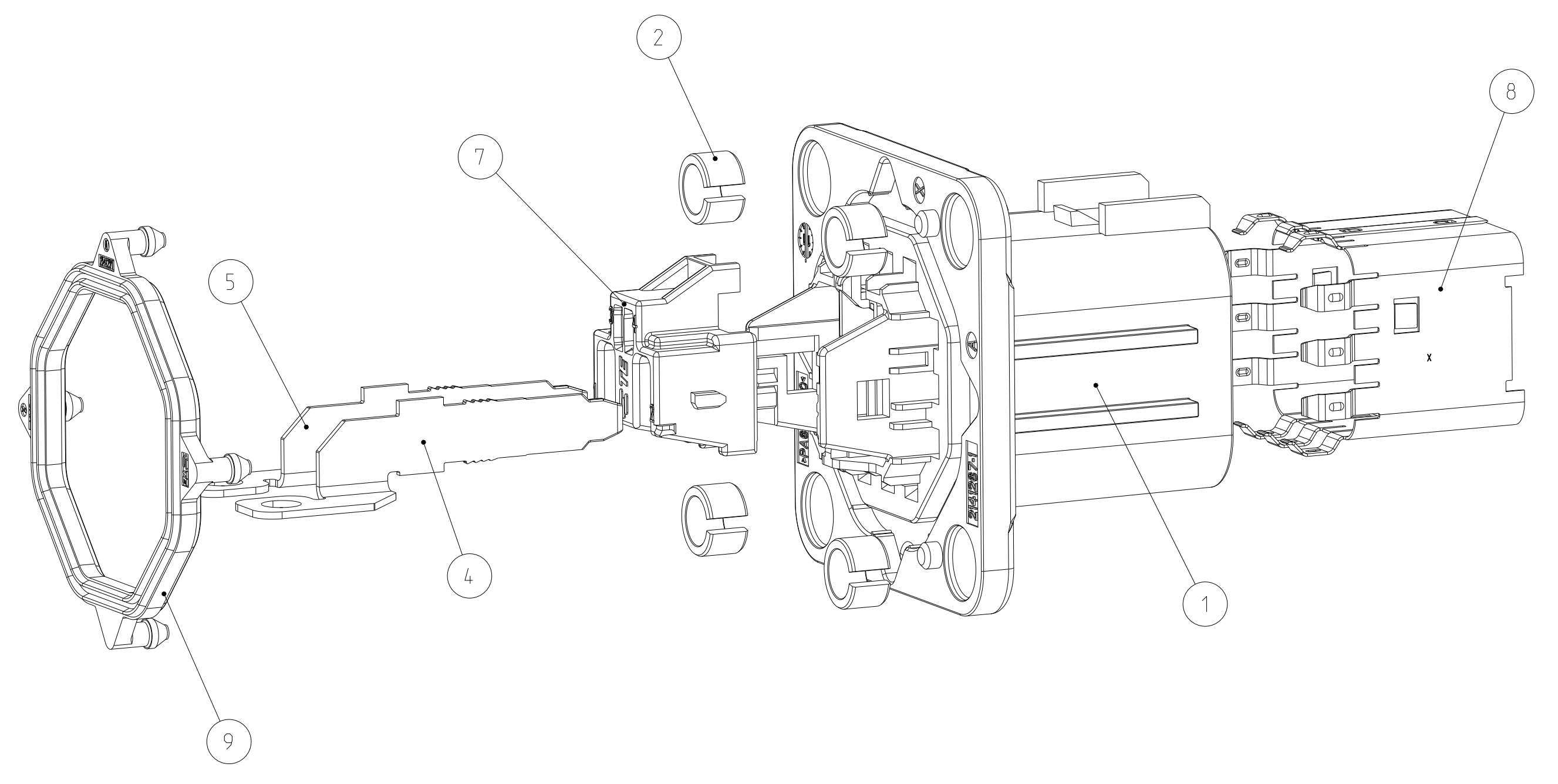


VARIANT 0- -X  
Variante

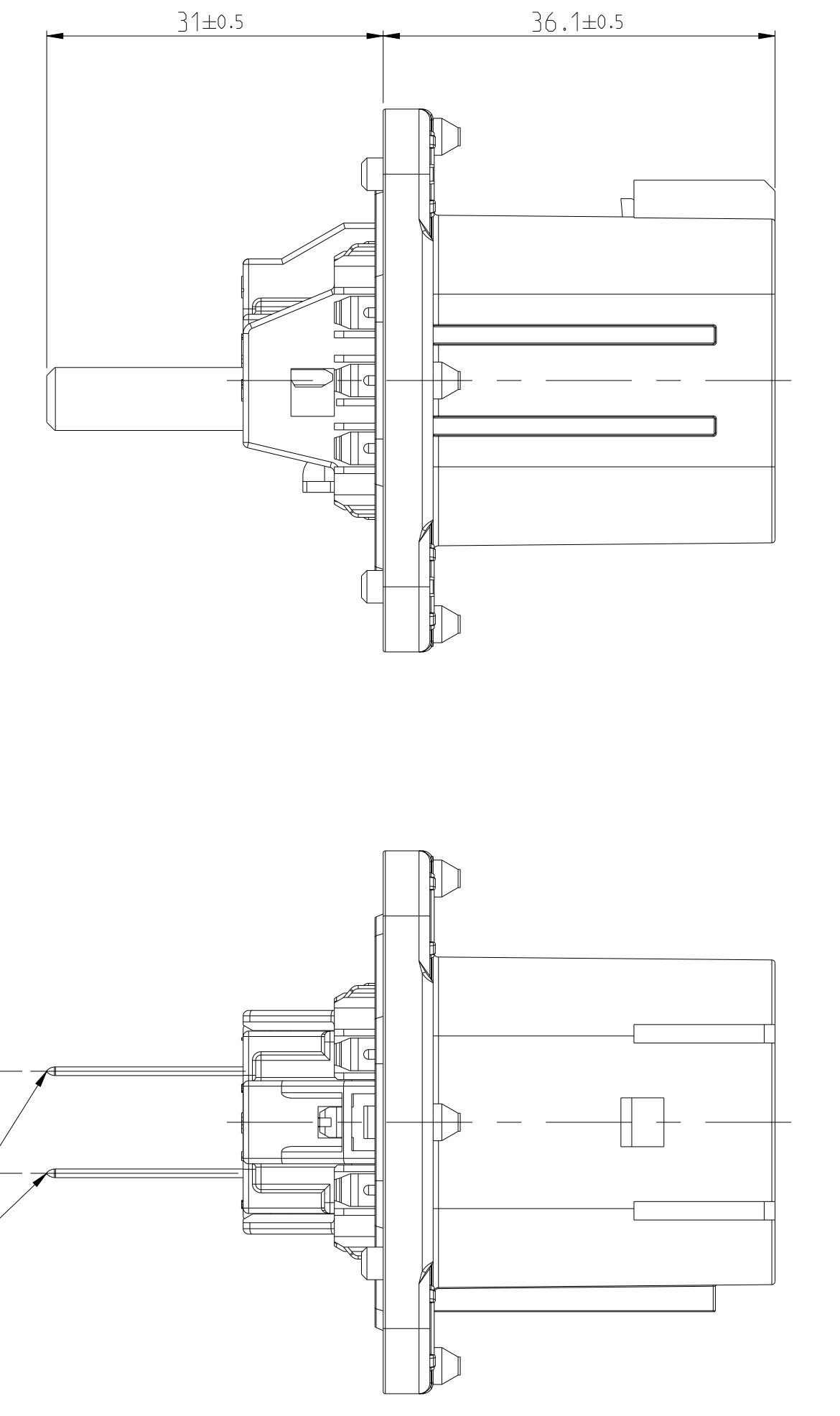
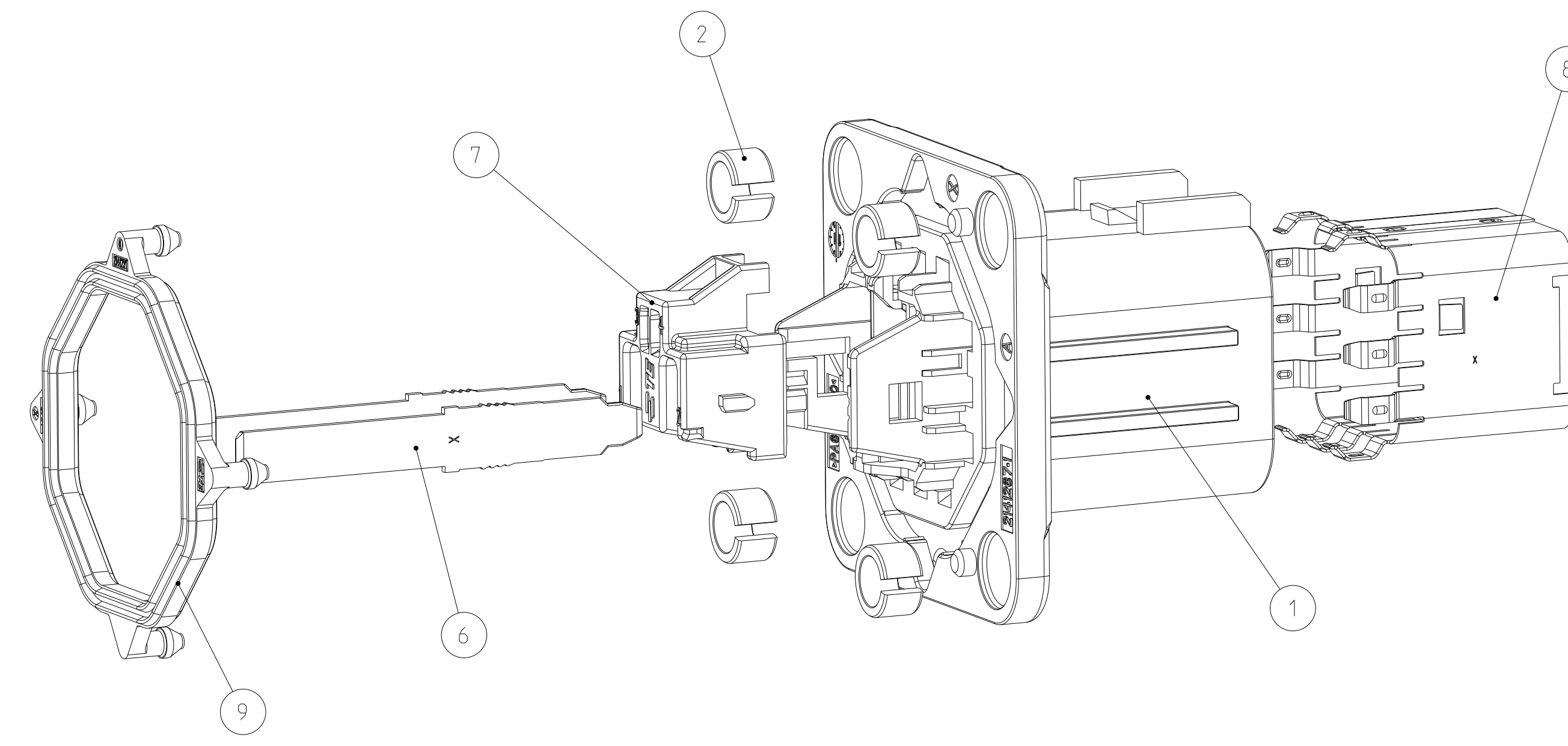


MATCHING FEMALE CONTACT: PCB 6.3 TERMINAL, PN 1719102-1  
Passender Gegenkontakt:

VARIANT 1- -X  
Variante

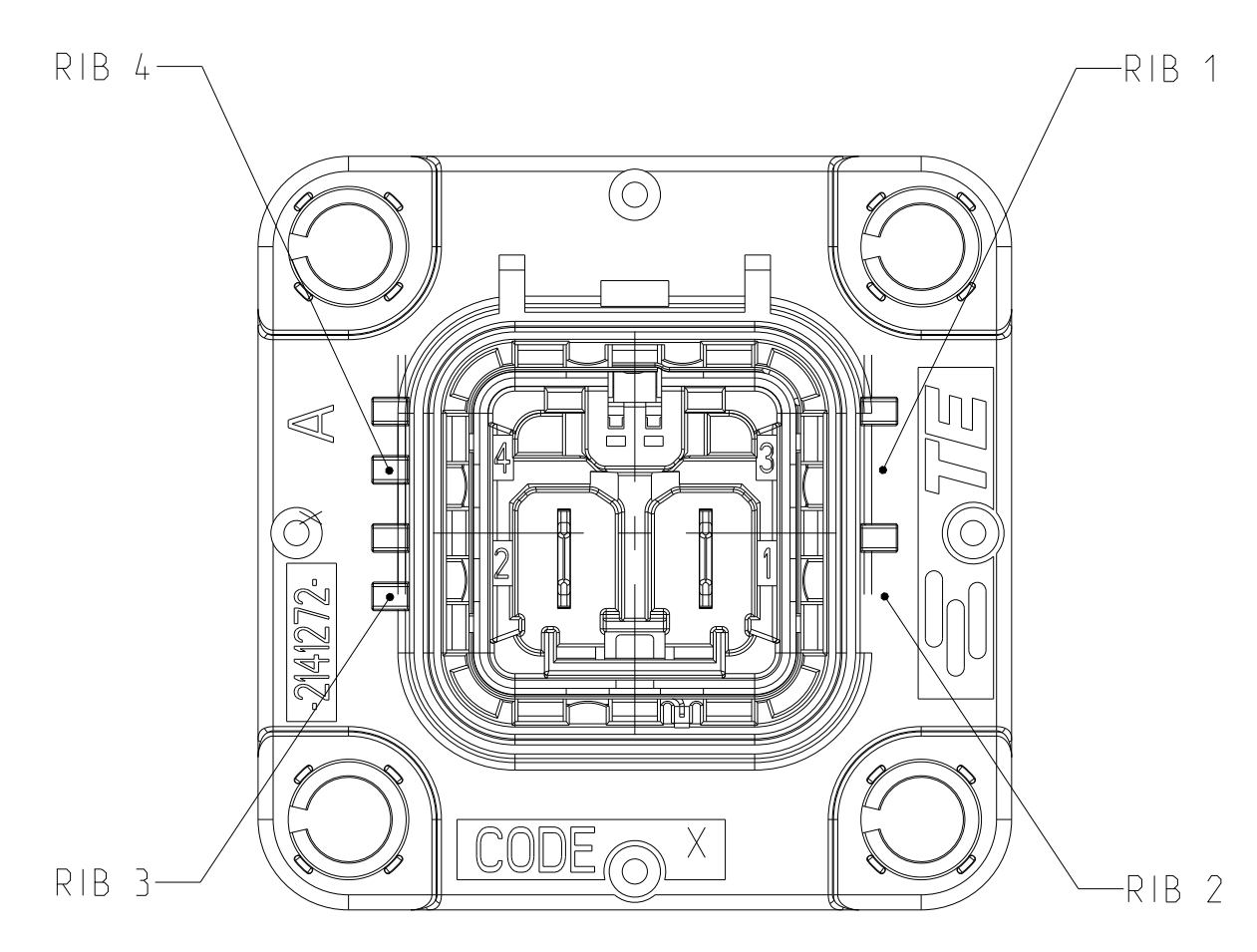


VARIANT 2- -X  
Variante



MATCHING FEMALE CONTACT: PCB 6.3 TERMINAL, PN 1719102-1  
Passender Gegenkontakt:

CODINGS



CODING	RIB 1	RIB 2	RIB 3	RIB 4
A	-	-	X	X
B	-	X	X	-
C	X	-	X	-
D	-	X	-	X
E	X	-	-	X
F	X	X	-	-

- THE GERMAN TEXT IS BINDING  
Der deutsche Text ist verbindlich
- PACKING: TRAY  
Verpackung: Tray
- SUITABLE INTERLOCK-CONTACTS: 1418760-3; 5-1418758-3; 2141864-3  
Passende Interlock-Kontakte: 1418760-3; 5-1418758-3; 2141864-3
- SUBJECT TO TECHNICAL CHANGES  
TE DOESN'T COMPENSATE FOR FOLLOW-UP-COSTS DUE TO TECHNICAL CHANGES  
Technische Änderungen vorbehalten  
TE kommt nicht fuer Folgekosten durch Aenderungen auf
- UNVERIFIED TAB GEOMETRY, APPLICATION AND VERIFICATION  
IN CUSTOMERS RESPONSIBILITY  
Unverifizierte Tabanschlusssgeometrie, Anwendung und Verifikation  
im Verantwortungsbereich des Kunden
- CODINGS SEE INTERFACE DRAWINGS  
114-94036 AND 114-94037  
Kodierungen siehe Schnittstellenzeichnungen  
114-94036 und 114-94037

SPECIFICATIONS  
Spezifikationen

DESCRIPTION	REF ID
MATING CONNECTOR: 2POS. HV. REC HSG. ASSY Gegenstecker: 2pol. HV. Steckergehaeuse, Zusammenbau	114-94100-1
INTERFACE DRAWING 2POS. HV 90/180Deg Schnittstellenzeichnung 2pol. HV 90/180Grad	114-94036
INTERFACE DRAWING, ADAPTER PLATE, 2POS HV 90/180deg-CATEGORY 1 Ausfuhrungsvorschrift, Aufnahmeplatte, 2pol HV 90/180Grad-Kategorie 1	114-94037
PRODUCT-SPEC. Produktspezifikation	108-94264
APPLICATION-SPEC. Verarbeitungsspezifikation	114-94100

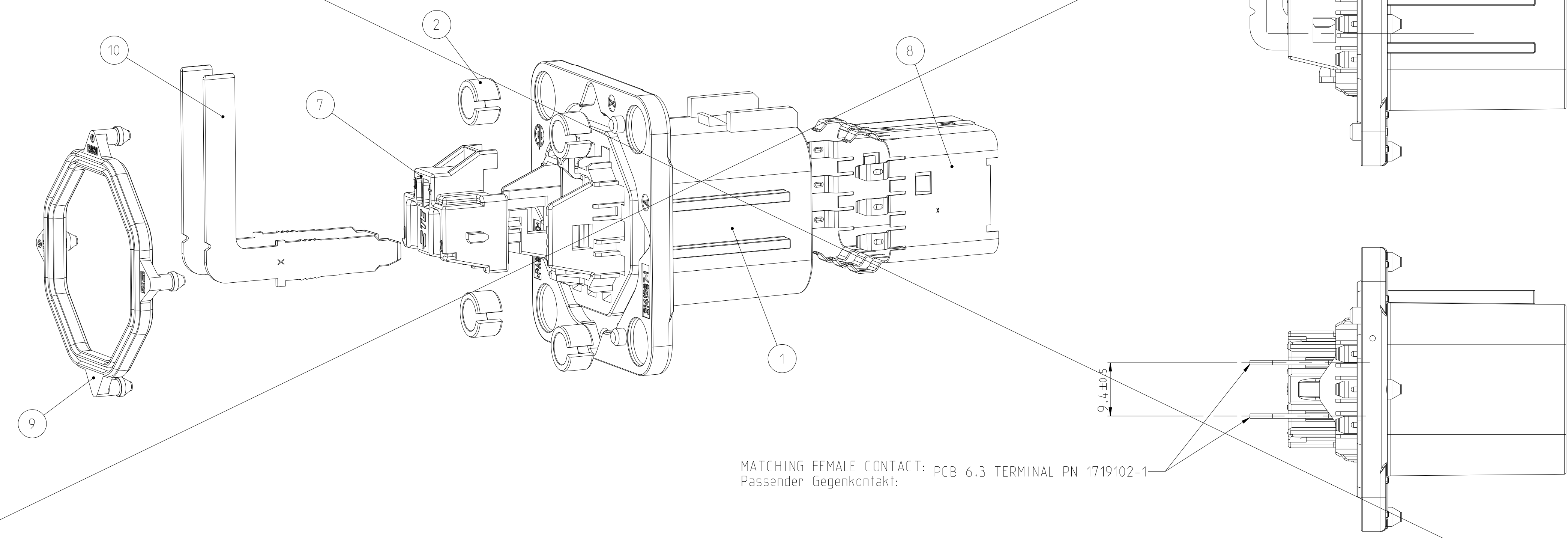
COD.	DESCRIPTION - ASSY	WEIGHT (g)	TE ORDER-NO.	REV	QTY	DESCRIPTION - PART	MATERIAL	SURFACE	ITEM
A	2 POS 90DEG TAB HEADER ASSY HV CONNECTOR	50	4-2141272-1	A	1	TAB 6.3/5.8x0.8mm (L-SHAPE TERMINAL)	CuSn	Ni/Ag	10
					1	AXIAL SEAL	SILICONE	BROWN	9
					1	EMC SHIELD	CuNiSi	Ni/Ag	8
					1	SECONDARY LOCK	PA66GF30	BLACK	7
					4	COMPRESSION DELIMITER	STEEL	ZnNi	2
					1	2POS. MIXED. HEADER HSG 180 DEG	PA66GF30	ORANGE	1
F	2 POS 180DEG TAB HEADER ASSY HV CONNECTOR	43	2-2141272-6	B	1	AXIAL SEAL	SILICONE	BROWN	9
					1	EMC SHIELD	CuNiSi	Ni/Ag	8
					1	SECONDARY LOCK	PA66GF30	BLACK	7
					2	TAB 6.3/5.8x0.8mm	CuSn	Ni/Ag	6
					4	COMPRESSION DELIMITER	STEEL	ZnNi	2
					1	2POS. MIXED. HEADER HSG 180 DEG	PA66GF30	ORANGE	1
A	2 POS 180DEG TAB HEADER ASSY HV CONNECTOR	43	2-2141272-1	B	1	AXIAL SEAL	SILICONE	BLACK	9
					1	EMC SHIELD	CuNiSi	Ni/Ag	8
					1	SECONDARY LOCK	PA66GF30	BLACK	7
					2	TAB 6.3/5.8x0.8mm	CuSn	Ni/Ag	6
					4	COMPRESSION DELIMITER	STEEL	ZnNi	2
					1	2POS. MIXED. HEADER HSG 180 DEG	PA66GF30	ORANGE	1
F	2 POS 180DEG TAB HEADER ASSY HV CONNECTOR	44	1-2141272-6	B	1	AXIAL SEAL	SILICONE	BROWN	9
					1	EMC SHIELD	CuNiSi	Ni/Ag	8
					1	SECONDARY LOCK	PA66GF30	BLACK	7
					1	TAB 6.3x0.8. RIGHT BENDED TERMINAL	CuSn	Ni/Ag	5
					1	TAB 6.3x0.8. LEFT BENDED TERMINAL	CuSn	Ni/Ag	4
					4	COMPRESSION DELIMITER	STEEL	ZnNi	2
					1	2POS. MIXED. HEADER HSG 180 DEG	PA66GF30	ORANGE	1
A	2 POS 180DEG TAB HEADER ASSY HV CONNECTOR	44	1-2141272-1	B	1	AXIAL SEAL	SILICONE	BLACK	9
					1	EMC SHIELD	CuNiSi	Ni/Ag	8
					1	SECONDARY LOCK	PA66GF30	BLACK	7
					1	TAB 6.3x0.8. RIGHT BENDED TERMINAL	CuSn	Ni/Ag	5
					1	TAB 6.3x0.8. LEFT BENDED TERMINAL	CuSn	Ni/Ag	4
					4	COMPRESSION DELIMITER	STEEL	ZnNi	2
					1	2POS. MIXED. HEADER HSG 180 DEG	PA66GF30	ORANGE	1
F	2 POS 180DEG TAB HEADER ASSY HV CONNECTOR	41	2141272-6	B	1	AXIAL SEAL	SILICONE	BROWN	9
					1	EMC SHIELD	CuNiSi	Ni/Ag	8
					1	SECONDARY LOCK	PA66GF30	BLACK	7
					2	TAB 6.3/5.8x0.8mm	CuSn	Ni/Ag	3
					4	COMPRESSION DELIMITER	STEEL	ZnNi	2
					1	2POS. MIXED. HEADER HSG 180 DEG	PA66GF30	ORANGE	1
A	2 POS 180DEG TAB HEADER ASSY HV CONNECTOR	41	2141272-1	B	1	AXIAL SEAL	SILICONE	BLACK	9
					1	EMC SHIELD	CuNiSi	Ni/Ag	8
					1	SECONDARY LOCK	PA66GF30	BLACK	7
					2	TAB 6.3/5.8x0.8mm	CuSn	Ni/Ag	3
					4	COMPRESSION DELIMITER	STEEL	ZnNi	2
					1	2POS. MIXED. HEADER HSG 180 DEG	PA66GF30	ORANGE	1

F2

THIS DRAWING IS A CONTROLLED DOCUMENT. DATE: 08FEB2011  
 DIMENSIONING AND TOLERANCING PER GPS ISO STANDARDS. CHN: VISHWA.A  
 U.I. HOODING: 28APR2011  
 U.I. REVISION: 01MAY2011  
 PRODUCT SPEC: 2 POS 180DEG TAB HEADER ASSY HV CONNECTOR  
 APPLICATION SPEC: -  
 WEIGHT: -  
 CUSTOMER DRAWING: A0100779 ©=2141272  
 SCALE: 2:1 SHEET 1 OF 3 REV F2

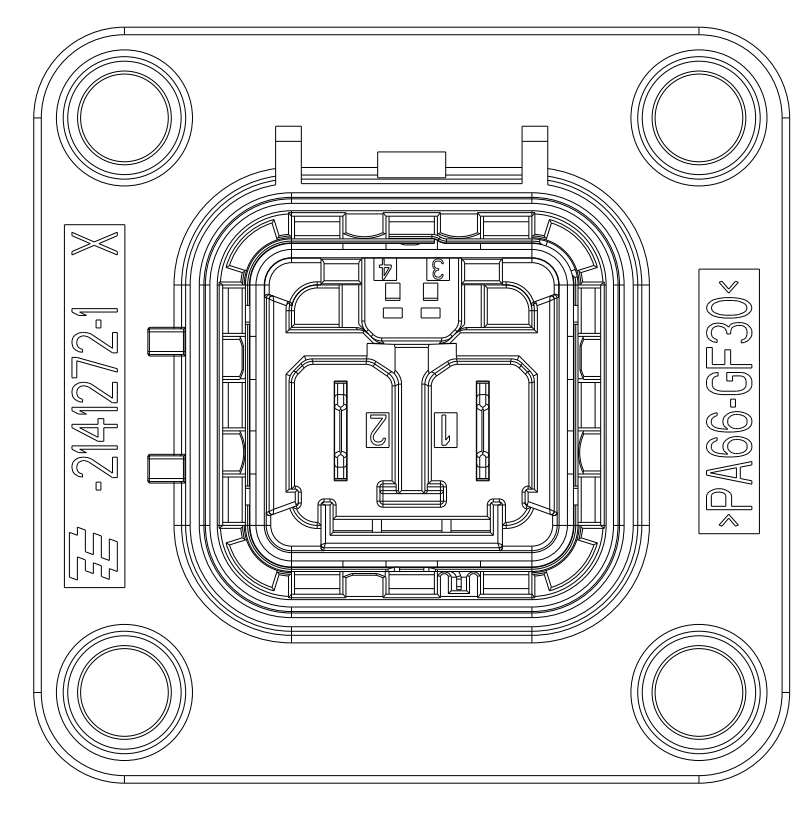
REVISIONS			
NO.	DATE	DESCRIPTION	BY
1	-	SEE SHEET 1	-

VARIANT Variante 4- -X F1

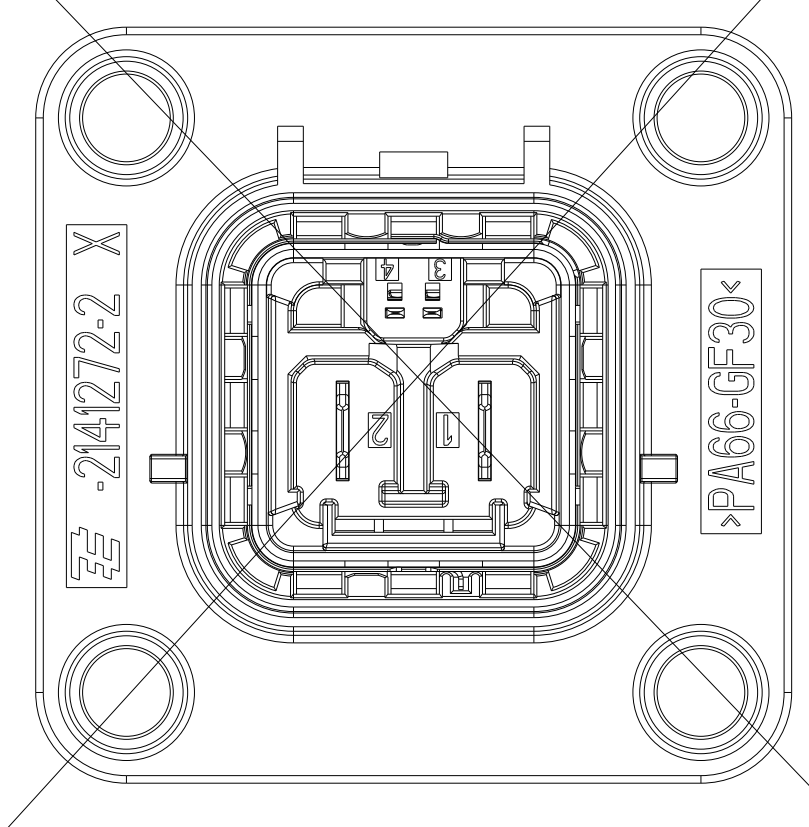


THIS DRAWING IS A CONTROLLED DOCUMENT. DIMENSIONING AND TOLERANCING PER GPS ISO STANDARDS.		DATE: 08FEB2011 DESIGNED BY: Vishwa A CHECKED BY: U. Hoedinger APPROVED BY: T. Reisinger	NAME: 2 POS 180DEG TAB HEADER ASSY HW CONNECTOR																																								
<table border="1"> <tr> <th>REV</th> <th>DATE</th> <th>DESCRIPTION</th> </tr> <tr> <td>0</td> <td>08FEB2011</td> <td>INITIAL RELEASE</td> </tr> <tr> <td>1</td> <td>02MAY2011</td> <td>PRODUCT SPEC</td> </tr> <tr> <td>2</td> <td>-</td> <td>APPLICATION SPEC</td> </tr> <tr> <td>3</td> <td>-</td> <td>-</td> </tr> <tr> <td>4</td> <td>-</td> <td>-</td> </tr> </table>	REV	DATE	DESCRIPTION	0	08FEB2011	INITIAL RELEASE	1	02MAY2011	PRODUCT SPEC	2	-	APPLICATION SPEC	3	-	-	4	-	-	<table border="1"> <tr> <th>SIZE</th> <th>SCALE</th> <th>DRWING NO</th> <th>RESTRICTED TO</th> </tr> <tr> <td>A0</td> <td>1:1</td> <td>000779</td> <td>-</td> </tr> </table>	SIZE	SCALE	DRWING NO	RESTRICTED TO	A0	1:1	000779	-	<table border="1"> <tr> <th>MATERIAL</th> <th>FINISH</th> <th>WEIGHT</th> </tr> <tr> <td>-</td> <td>-</td> <td>-</td> </tr> </table>	MATERIAL	FINISH	WEIGHT	-	-	-	<table border="1"> <tr> <th>SCALE</th> <th>SHEET</th> <th>OF</th> <th>REV</th> </tr> <tr> <td>5:1</td> <td>2</td> <td>3</td> <td>F2</td> </tr> </table>	SCALE	SHEET	OF	REV	5:1	2	3	F2
REV	DATE	DESCRIPTION																																									
0	08FEB2011	INITIAL RELEASE																																									
1	02MAY2011	PRODUCT SPEC																																									
2	-	APPLICATION SPEC																																									
3	-	-																																									
4	-	-																																									
SIZE	SCALE	DRWING NO	RESTRICTED TO																																								
A0	1:1	000779	-																																								
MATERIAL	FINISH	WEIGHT																																									
-	-	-																																									
SCALE	SHEET	OF	REV																																								
5:1	2	3	F2																																								
CUSTOMER DRAWING		TE Connectivity																																									

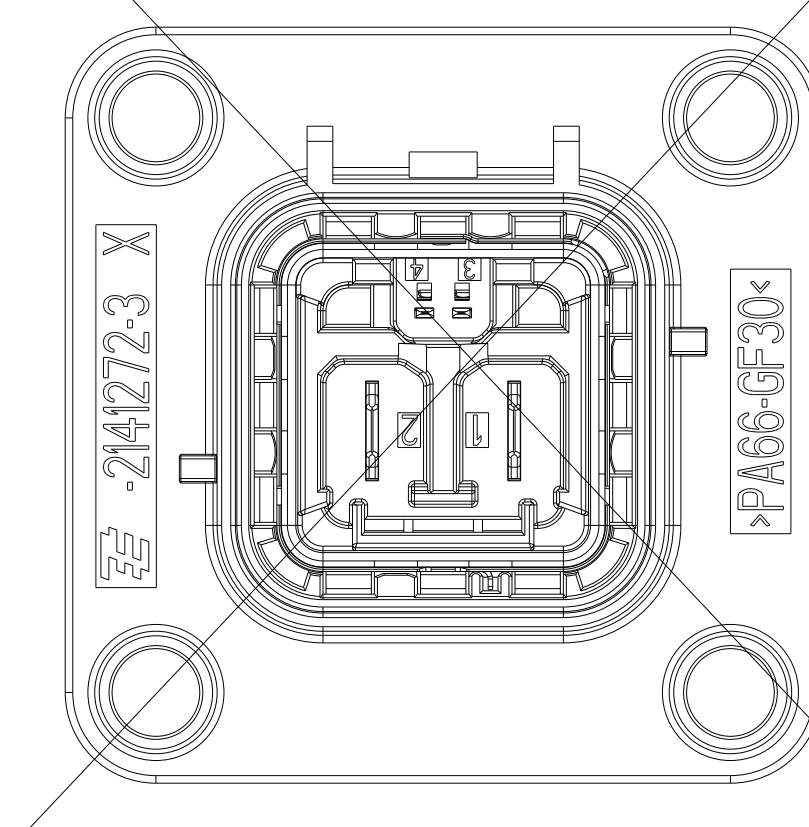
REVISIONS			
REV	DATE	DESCRIPTION	APP'D
1	-	SEE SHEET 1	-



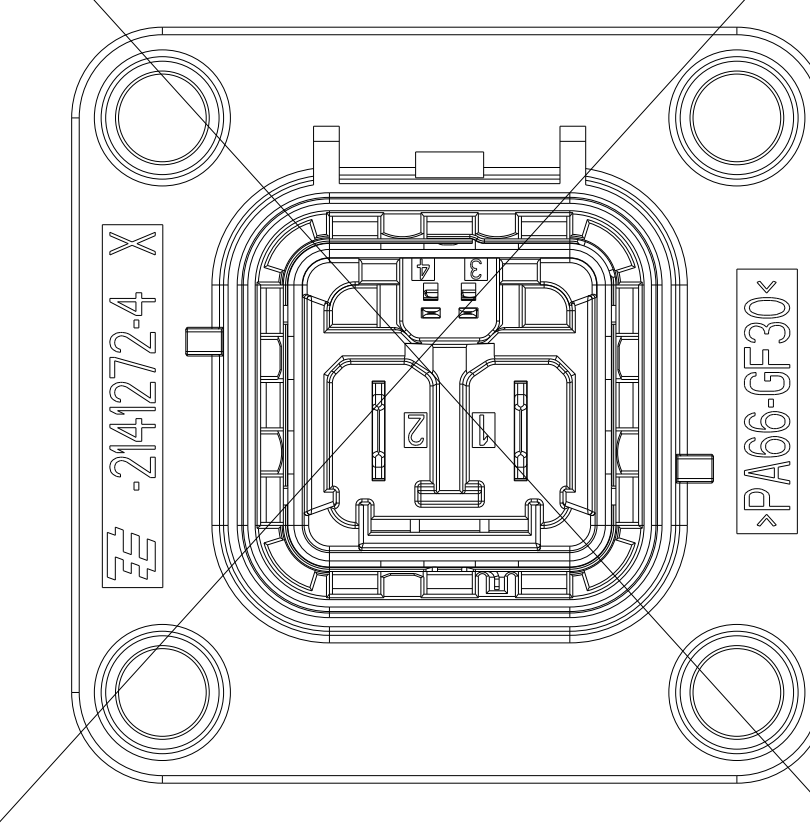
CODE A



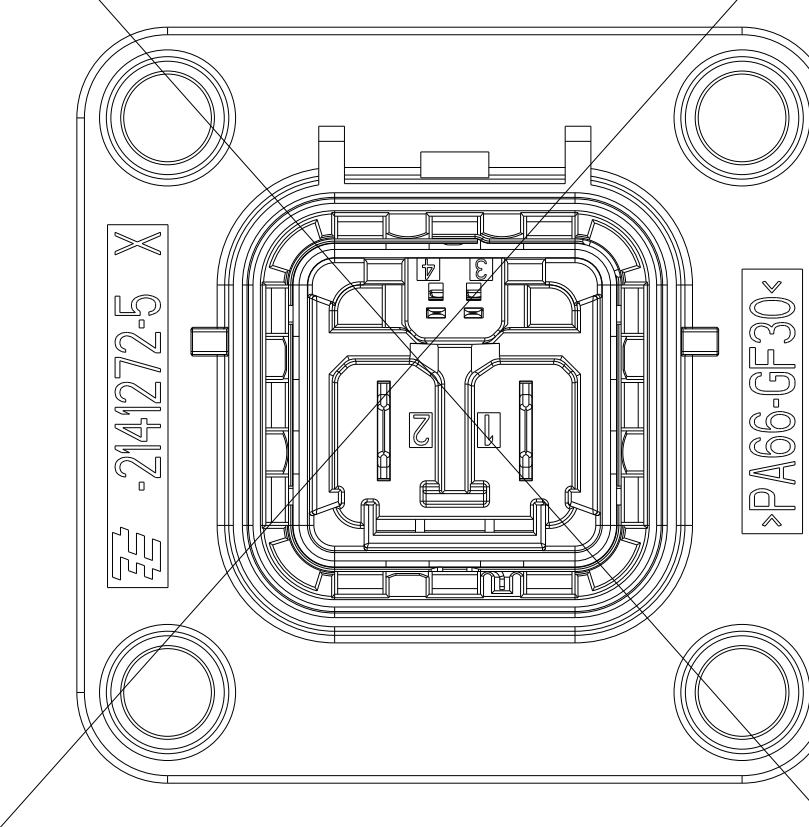
CODE B



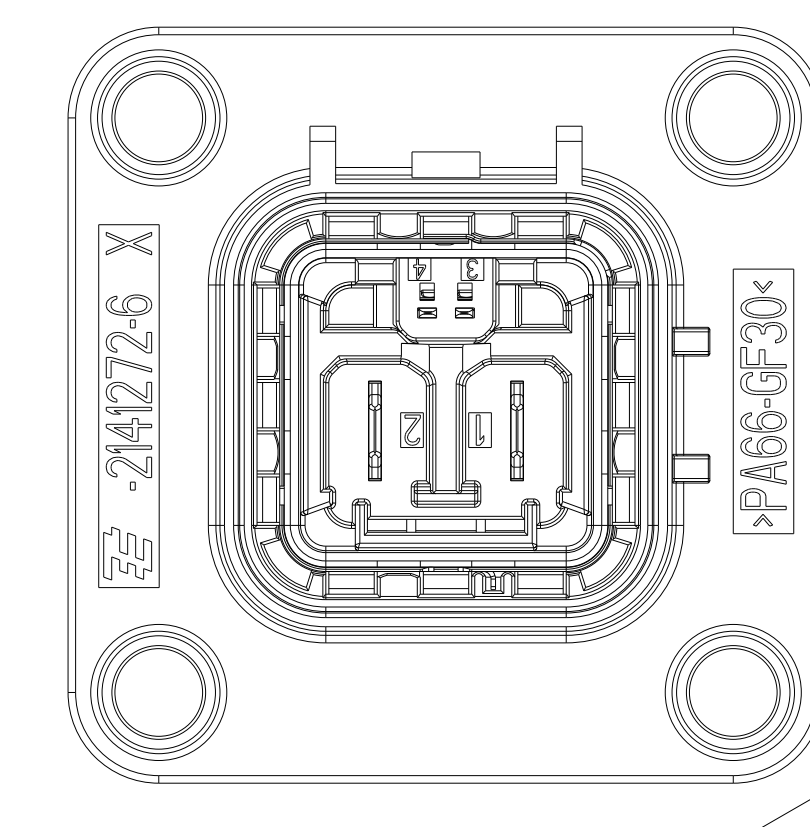
CODE C



CODE D

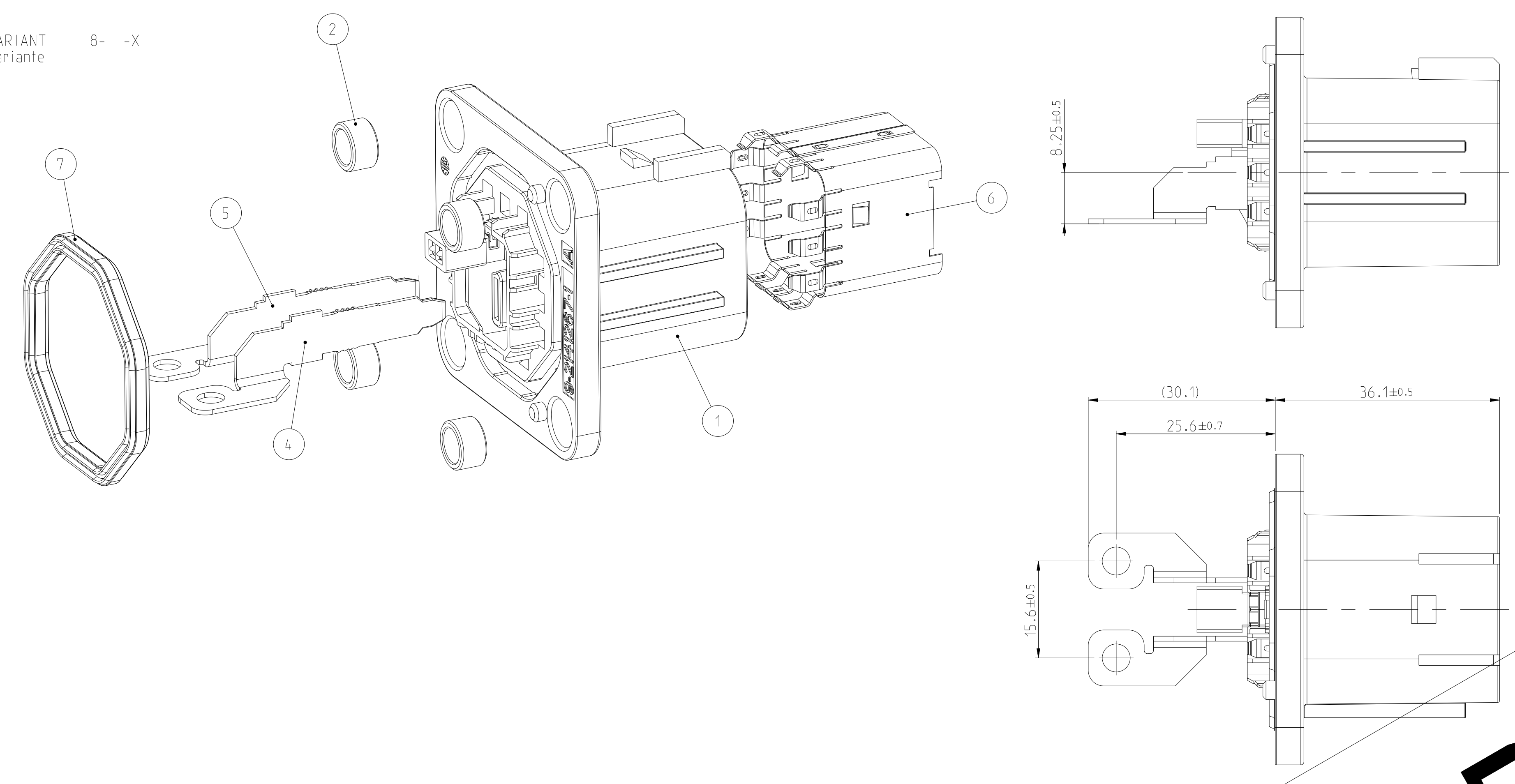


CODE E

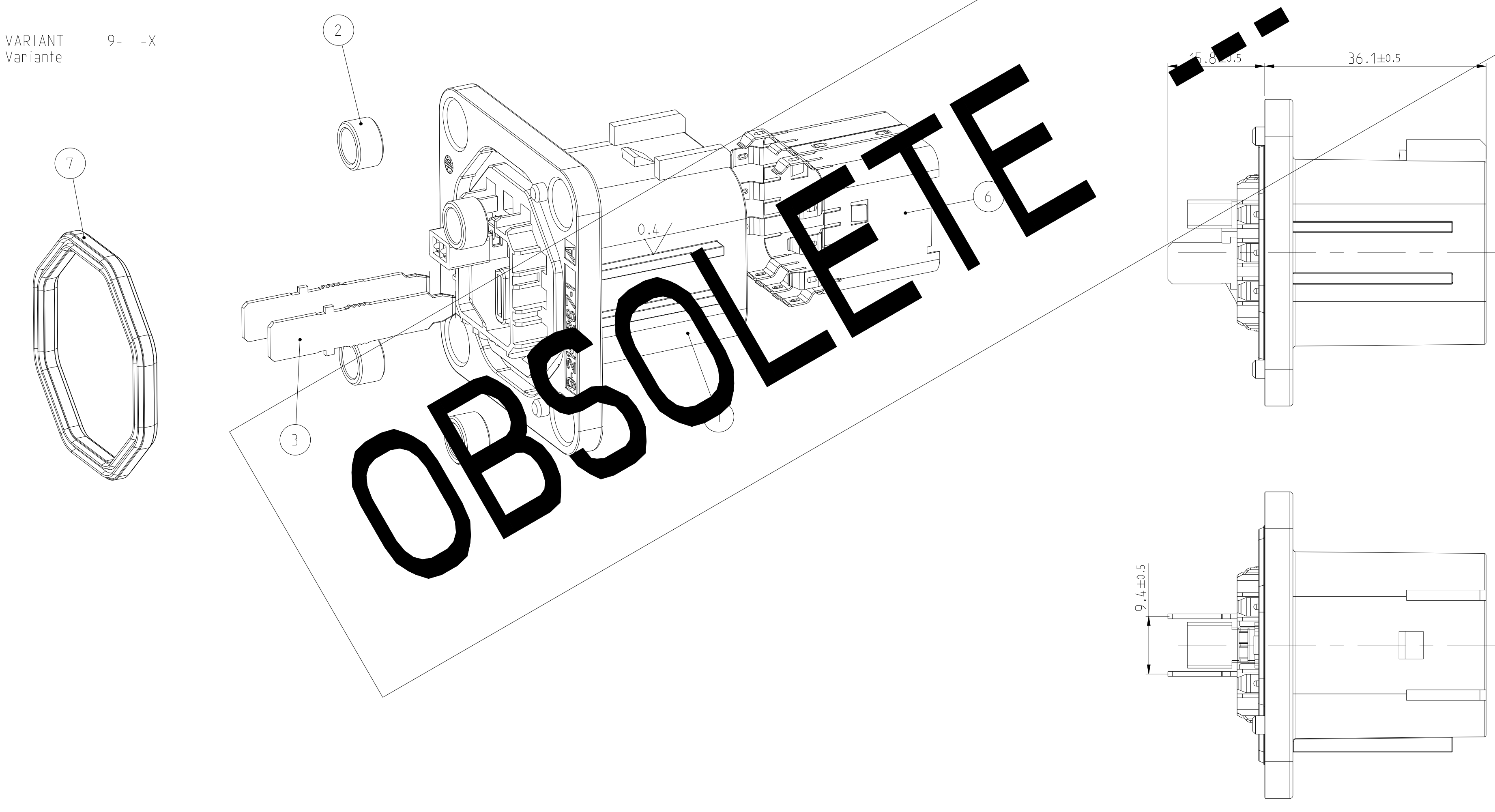


CODE F

VARIANT 8- -X  
Variante



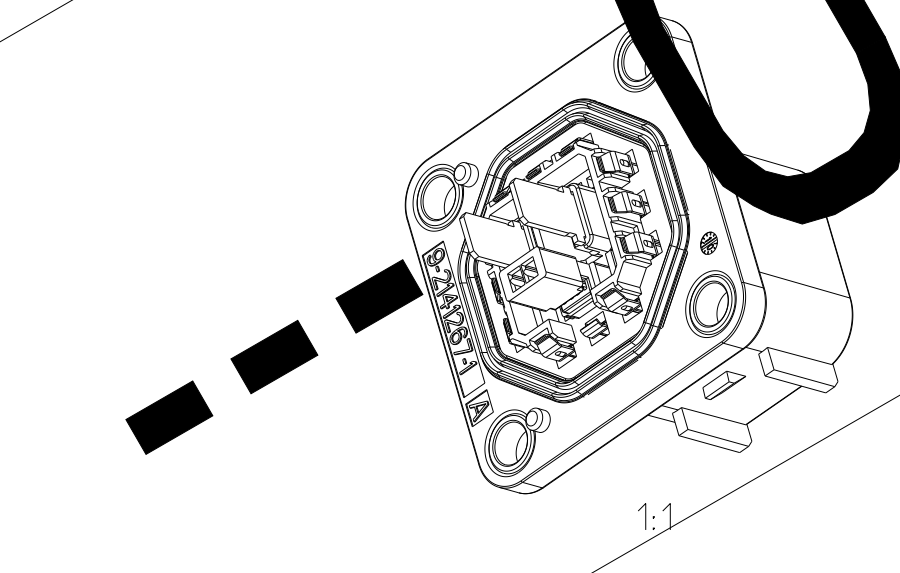
VARIANT 9- -X  
Variante



**OBSELETE**

NOTES  
Bemerkungen

- 1 THE GERMAN TEXT IS BINDING  
Der deutsche Text ist verbindlich
- 2 LAYER PACKING WITH CORRUGATED LAYER PAD AND PAPER CUSHION INTO CORRUGATED SHIPPING BOX  
Lagenweise Verpackung mit Wellpappeinlagen und Papierpolstern in Versandkarton
- 3 MISSING DATAS ACCORDING TO TE-DRAWING NO.: 114-94036  
Fehlende Angaben gemäß TE-Zeichnung Nr.: 114-94036
- 4 SUITABLE INTERLOCK-CONTACTS: 1418760-3  
SUITABLE 2. LOCK FOR INTERLOCK-CONTACTS: TE-DRAW-NO 2141145  
Passende Interlock-Kontakte: 1418760-3  
Passende 2. Kontaktsicherung für Interlock-Anschluss: TE-drw-nummer 2141145
- 5 SUBJECT TO TECHNICAL CHANGES  
TE DOESN'T COMPENSATE FOR FOLLOW-UP-COSTS DUE TO TECHNICAL CHANGES  
Technische Änderungen vorbehalten  
TE kommt nicht fuer Folgekosten durch Änderungen auf
- 6 UNVERIFIED TAB GEOMETRY, APPLICATION AND VERIFICATION IN CUSTOMERS RESPONSIBILITY  
Unverifizierte Tabanschlusssgeometrie, Anwendung und Verifikation im Verantwortungsbereich des Kunden



SPECIFICATIONS Spezifikationen	
MATING CONNECTOR: 2POS. HV. REC HSG. ASSY Gegenstecker: 2pol. HV. Steckergehäuse, Zusammenbau	114-94100-1
INTERFACE DRAWING: ADAPTER PLATE. 2POS HV90/180DEG-CATEGORY 1 Ausfuhrungsvorschrift, Aufnahmeplatte, 2pol HV90 °/180 °-Kategorie 1	114-94037
PRODUCT-SPEC. Produktspezifikation	108-94264
APPLICATION-SPEC. Verarbeitungsspezifikation	114-94100

COD.	DESCRIPTION - ASSY	WEIGHT (g)	TE ORDER-NO.	REV	QTY	DESCRIPTION - PART	MATERIAL	SURFACE	ITEM
F	2 POS 180DEG TAB HEADER ASSY HV CONNECTOR	40	9-2141272-6	B	1	AXIAL SEAL	SILICONE	NATURAL	7
					1	EMC SHIELD	CuNiSi	Ni/Ag	6
					2	TAB 6.3x0.8x0.8mm	CuSn	Ni/Ag	3
					4	SLEEVE	CuZn	Ni	2
A	2 POS 180DEG TAB HEADER ASSY HV CONNECTOR	40	9-2141272-1	B	1	AXIAL SEAL	SILICONE	NATURAL	7
					1	EMC SHIELD	CuNiSi	Ni/Ag	6
					2	TAB 6.3x0.8x0.8mm	CuSn	Ni/Ag	3
					4	SLEEVE	CuZn	Ni	2
F	2 POS 180DEG TAB HEADER ASSY HV CONNECTOR	40	8-2141272-6	B	1	AXIAL SEAL	SILICONE	NATURAL	7
					1	EMC SHIELD	CuNiSi	Ni/Ag	6
					1	TAB 6.3x0.8. RIGHT BENDED TERMINAL	CuSn	Ni/Ag	5
					1	TAB 6.3x0.8. LEFT BENDED TERMINAL	CuSn	Ni/Ag	4
					4	SLEEVE	CuZn	Ni	2
					1	2POS. MIXED. HEADER HSG 180 DEG	PA66GF30	ORANGE	1
A	2 POS 180DEG TAB HEADER ASSY HV CONNECTOR	40	8-2141272-1	B	1	AXIAL SEAL	SILICONE	NATURAL	7
					1	EMC SHIELD	CuNiSi	Ni/Ag	6
					1	TAB 6.3x0.8. RIGHT BENDED TERMINAL	CuSn	Ni/Ag	5
					1	TAB 6.3x0.8. LEFT BENDED TERMINAL	CuSn	Ni/Ag	4
					4	SLEEVE	CuZn	Ni	2
					1	2POS. MIXED. HEADER HSG 180 DEG	PA66GF30	ORANGE	1

THIS DRAWING IS A CONTROLLED DOCUMENT. DIMENSIONING AND TOLERANCING PER GPS 1550 STANDARDS. DATE: 08FEB2011. VISHVA A. CH. 28APR2011. U. HOODINAT. 01MAY2011. T. REISSNER. 01MAY2011. PRODUCT SPEC. APPLICATION SPEC. WEIGHT. FINISH. CUSTOMER DRAWING. SCALE: 5:1. SHEET 3 OF 3. REV F2.

**STE** TE Connectivity

2 POS 180DEG TAB HEADER ASSY HV CONNECTOR

SIZE: A0. CASE CODE: 00779. DRAWING NO: 2141272. RESTRICTED TO: -

## X-ON Electronics

Largest Supplier of Electrical and Electronic Components

*Click to view similar products for [Automotive Connectors](#) category:*

*Click to view products by [TE Connectivity](#) manufacturer:*

Other Similar products are found below :

[003-018-000](#) [60403001](#) [60993906-B](#) [M902-2131](#) [M902-2161](#) [M902-2344](#) [72.330.1035.1](#) [73.353.4028.0](#) [F119300-B](#) [F166900](#) [F258300-B](#)  
[F358300-B](#) [F407400](#) [F444110](#) [F487000](#) [F509500B-B](#) [827153-1](#) [8N1515-32-24P](#) [9-1326729-8](#) [925474-1](#) [928905-1](#) [964562-4](#) [968782-1](#)  
[GT17SA-8DS-HU](#) [98891-1012](#) [98947-1016](#) [12004147](#) [12004475-L](#) [12010290](#) [12010309-B](#) [12015454](#) [12020219-B](#) [12041318-B](#) [12052225-](#)  
[L](#) [12052466](#) [12064869](#) [12004327-B](#) [12015308](#) [12015384](#) [12015909](#) [1-21030-1](#) [12041254](#) [12041318](#) [12047946-B](#) [12047957](#) [12047957-L](#)  
[12059473](#) [12066261](#) [12110546](#) [12110546-B](#)