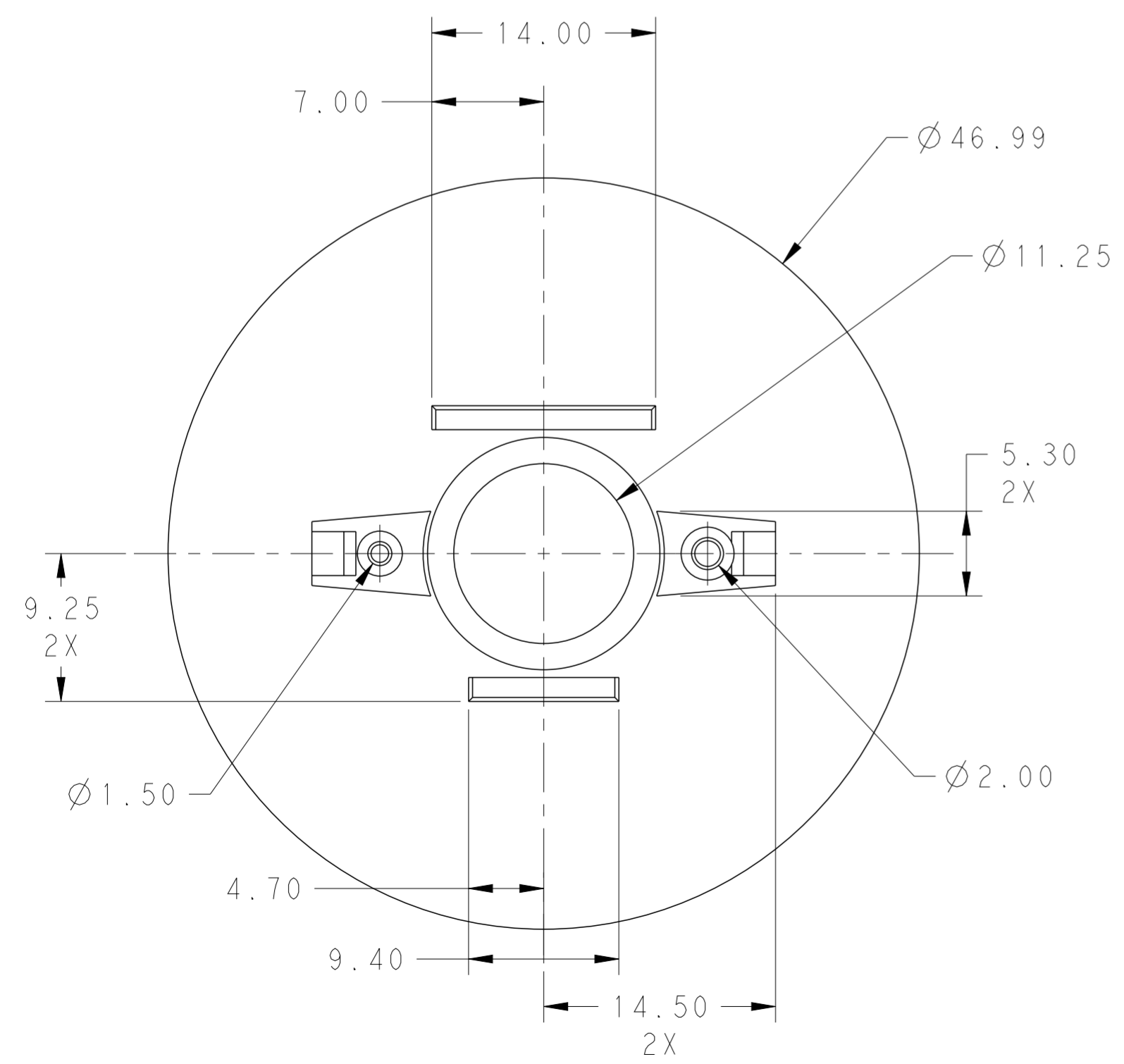
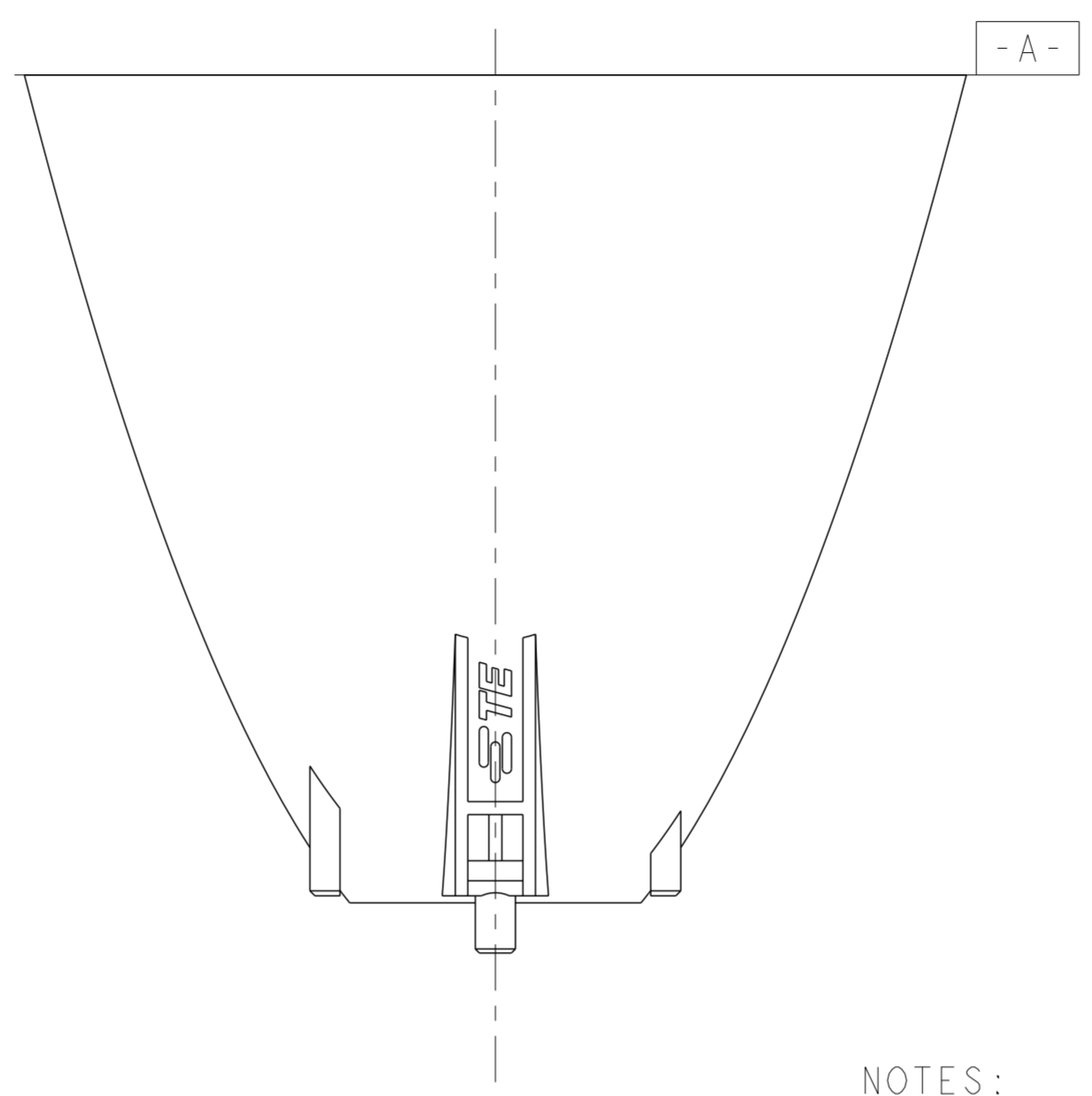
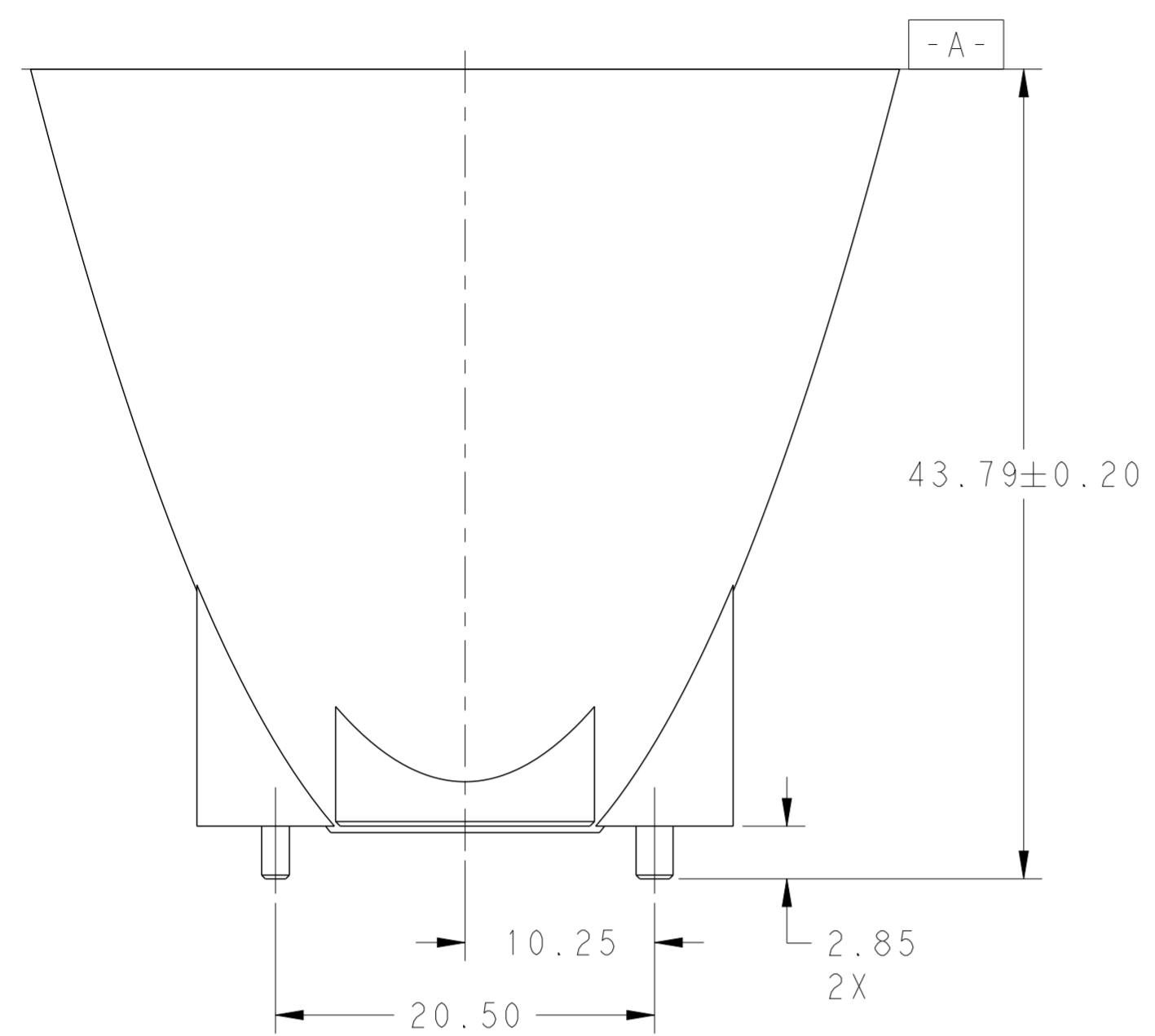


REVISIONS							
LOC	DIST	P	LTR	DESCRIPTION	DATE	DWN	APVD
-	-	A		REVISED PER ECR-12-002666	08AUG2012	RS	MM
		A1		REVISED PER ECR-14-000133	22JAN2014	YR	OL



- NOTES:
- ① MATERIAL: PC
  - ② COATING: ALUMINUM COATING WITH CLEAR LACQUER
  - 3. MUST COMPLY WITH DIRECTIVE 2002/95/EC (ROHS)
  - 4. FOR USE WITH P/N 2154235-2
  - 5. PERFORMANCE:  
 EFFICIENCY: 85% TYPICAL  
 OPERATING TEMPERATURE: -40 TO 105°C  
 SEE SHEET 2 FOR ADDITIONAL INFORMATION
  - ⑥ ILLUMINACE VALUE BASED ON 17200 cd @ 991 lm OUTPUT

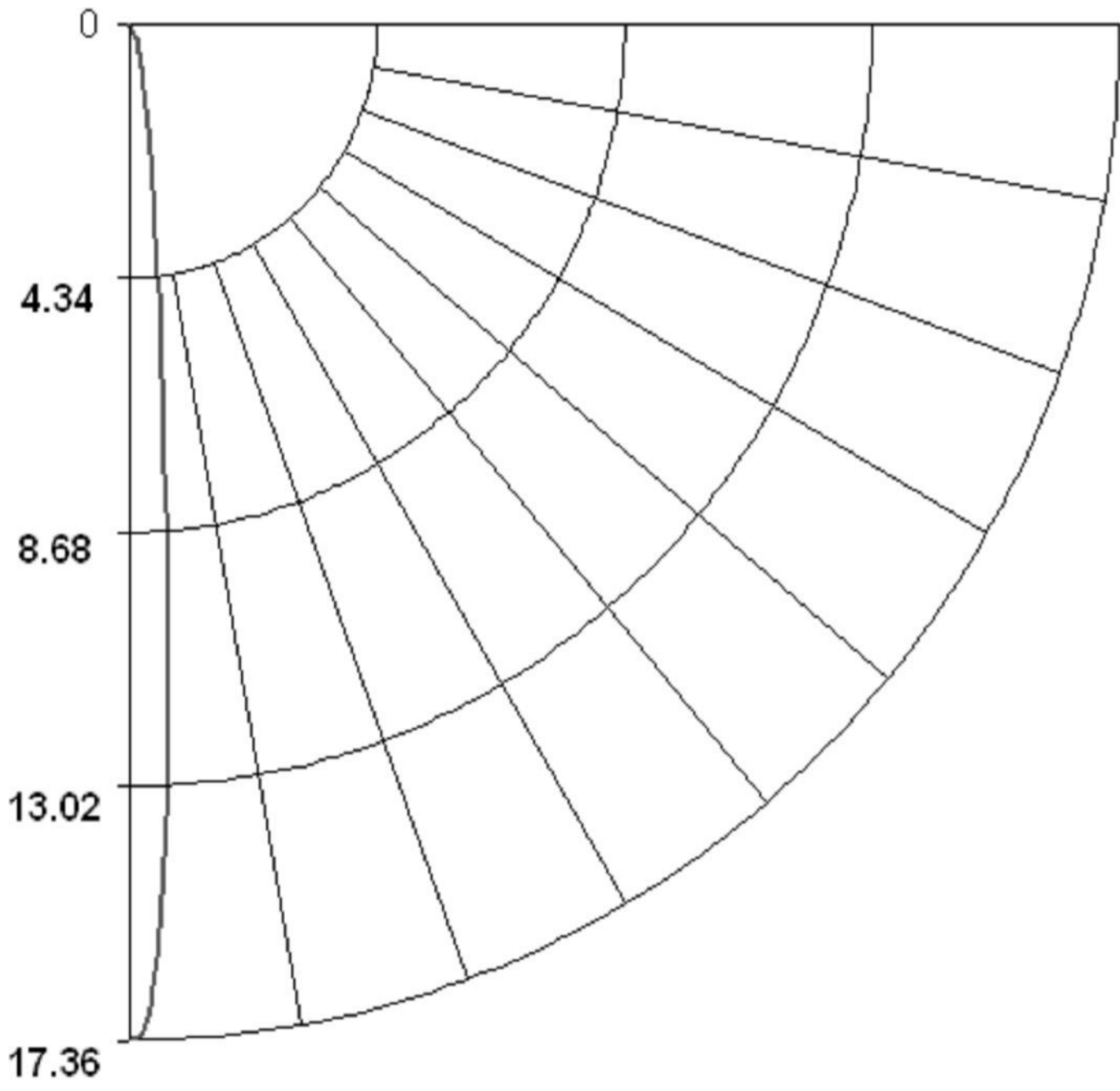
10°	1-2154430-1
BEAM ANGLE FWHM	PART NUMBER

THIS DRAWING IS A CONTROLLED DOCUMENT.		DWN R BROWN 04MAY2011	TE Connectivity	
DIMENSIONS: mm		CHK R NARANG 04MAY2011	LUMAWISE LED HOLDER, TYPE LS OPTIC	
TOLERANCES UNLESS OTHERWISE SPECIFIED:		APVD O. LEIJNSE 22JAN2014		
0 PLC ± 1 PLC ±0.2 2 PLC ±0.13 3 PLC ± 4 PLC ±		PRODUCT SPEC 108-2455	NAME	
ANGLES ± FINISH ±2°		APPLICATION SPEC 114-13294	SIZE A2	CAGE CODE 00779
MATERIAL ① -	② -	WEIGHT -	DRAWING NO C-2154430	RESTRICTED TO -
Customer Drawing			SCALE 3:1	SHEET 1 OF 2
			REV A1	

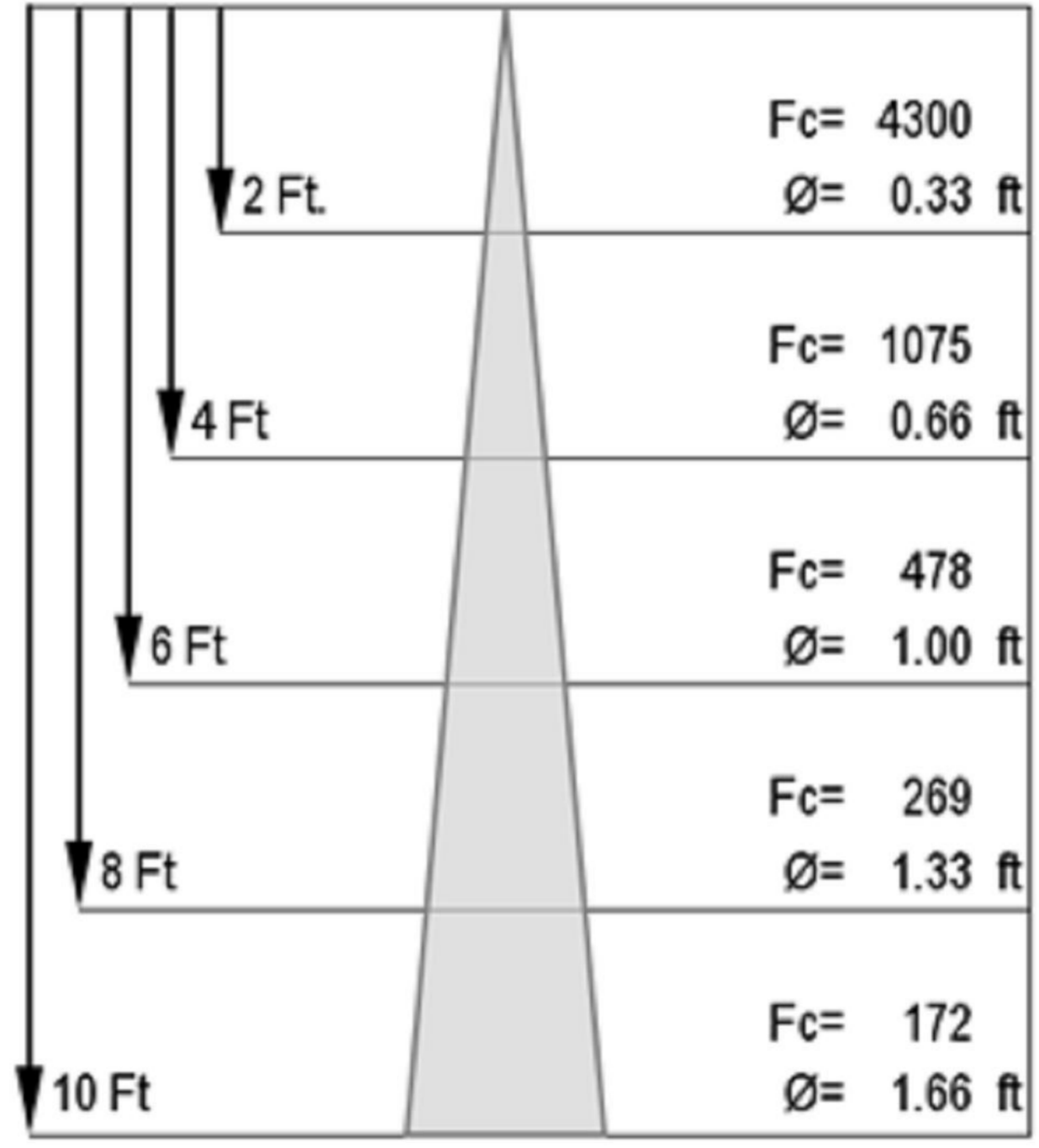
LOC		DIST		REVISIONS			
P	LTR	DESCRIPTION	DATE	DWN	APVD		
-	-	SEE SHEET 1	-	-	-		

PHOTOMETRIC INFORMATION:

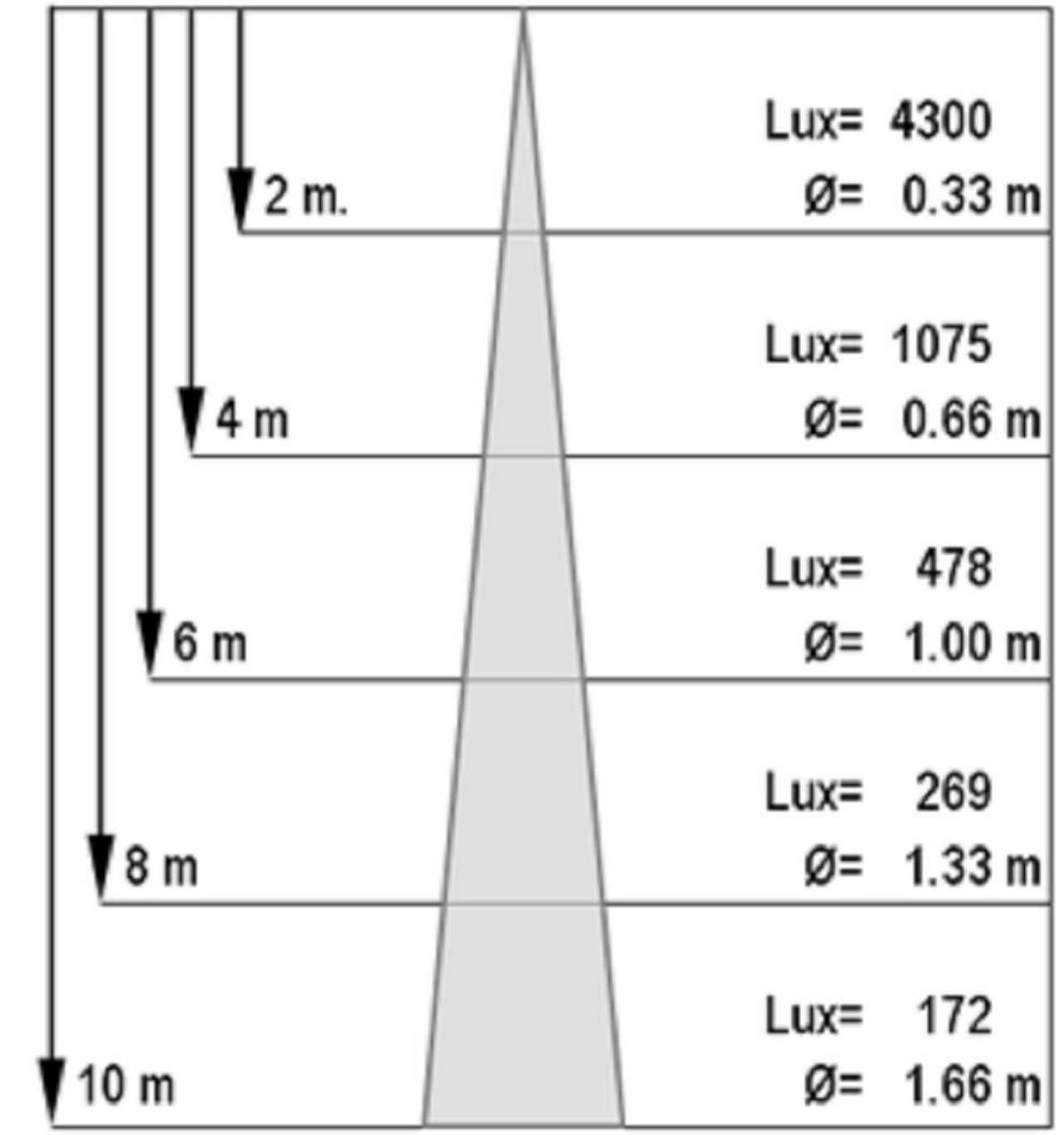
**Candela Polar Plot**  
(Unit: cd/lm)



**10 ° NARROW SPOT**  
**3000K**



**10 ° NARROW SPOT**  
**3000K**



THIS DRAWING IS A CONTROLLED DOCUMENT.		DWN R BROWN 04MAY2011	TE Connectivity
DIMENSIONS: mm		CHK R NARANG 04MAY2011	
TOLERANCES UNLESS OTHERWISE SPECIFIED:		APVD O LEIJNSE 22 JAN 2014	
0 PLC ± 1 PLC ±0.2 2 PLC ±0.13 3 PLC ± 4 PLC ± ANGLES ±2° FINISH		PRODUCT SPEC 108-2455 APPLICATION SPEC 114-13294 WEIGHT -	
MATERIAL		NAME LUMAWISE LED HOLDER, TYPE LS OPTIC	RESTRICTED TO
		SIZE A200779	DRAWING NO C-2154430
		SCALE 3:1	SHEET 2 OF 2
		Customer Drawing	REV A1

## X-ON Electronics

Largest Supplier of Electrical and Electronic Components

*Click to view similar products for [LED Lighting Reflectors](#) category:*

*Click to view products by [TE Connectivity](#) manufacturer:*

Other Similar products are found below :

[LL04CR-CFN35155L02](#) [LL04CR-CFN60155L02](#) [LL04CR-CGM85135L02](#) [F13185\\_GERI-RZ](#) [10604](#) [LL01SP-ATH15R49](#) [10170](#) [12527](#)  
[12531](#) [12568](#) [C13253\\_TINA2-R-CLIP16](#) [CA14591\\_BROOKE-XW](#) [CN12706\\_LENINA-S](#) [F15560\\_MIRELLA-G2-W](#) [CA11525\\_LAURA-R-](#)  
[W](#) [12796](#) [LMH020-REFL-0000-0000042](#) [LMH020-REFL-0000-0000062](#) [LMH020-REFL-0000-0000064](#) [LMH020-REFL-0000-0000082](#)  
[C12606\\_LENINA-DL](#) [C11347\\_REGINA](#) [C11394\\_TYRA-S](#) [C11396\\_TYRA-W](#) [C11508\\_BROOKE-W](#) [C11552\\_BARBARA-S](#)  
[C11553\\_BARBARA-W](#) [C11862\\_MINNIE-W](#) [C11979\\_LENA-S](#) [C11980\\_LENA-W](#) [C11996\\_LENA-LENS](#) [C12083\\_BROOKE-SCR-M](#)  
[C12097\\_MINNIE-WWW](#) [C12154\\_LENA-M](#) [C12469\\_LISA2-R-PIN](#) [C12476\\_MIRELLA-50-S](#) [C12477\\_MIRELLA-50-M](#)  
[C12480\\_MIRELLA-50-S-PIN](#) [C12516\\_RITA-WAS](#) [C12597\\_LENINA-S](#) [C12599\\_LENINA-W](#) [C12948\\_LENA-WAS](#) [C12958\\_LENINA-XW](#)  
[C13085\\_MIRELLA-50-S-PF](#) [C13087\\_MIRELLA-50-W-PF](#) [C13101\\_LENA-X-WAS](#) [C13555\\_BRIDGET-W-UNI](#) [C13556\\_BRIDGET-M-](#)  
[UNI](#) [C13557\\_BRIDGET-S-UNI](#) [C13806\\_MIRELLA-XW-PF](#)