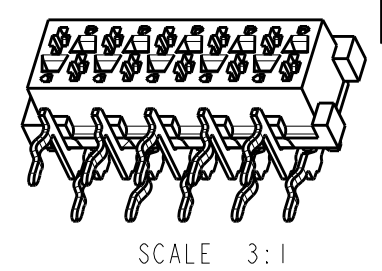
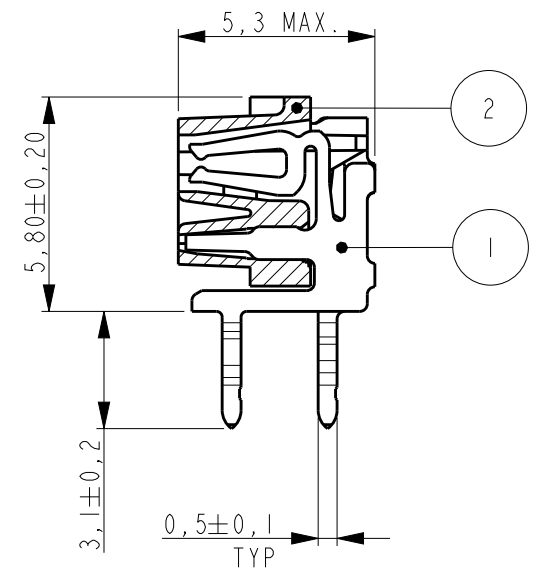
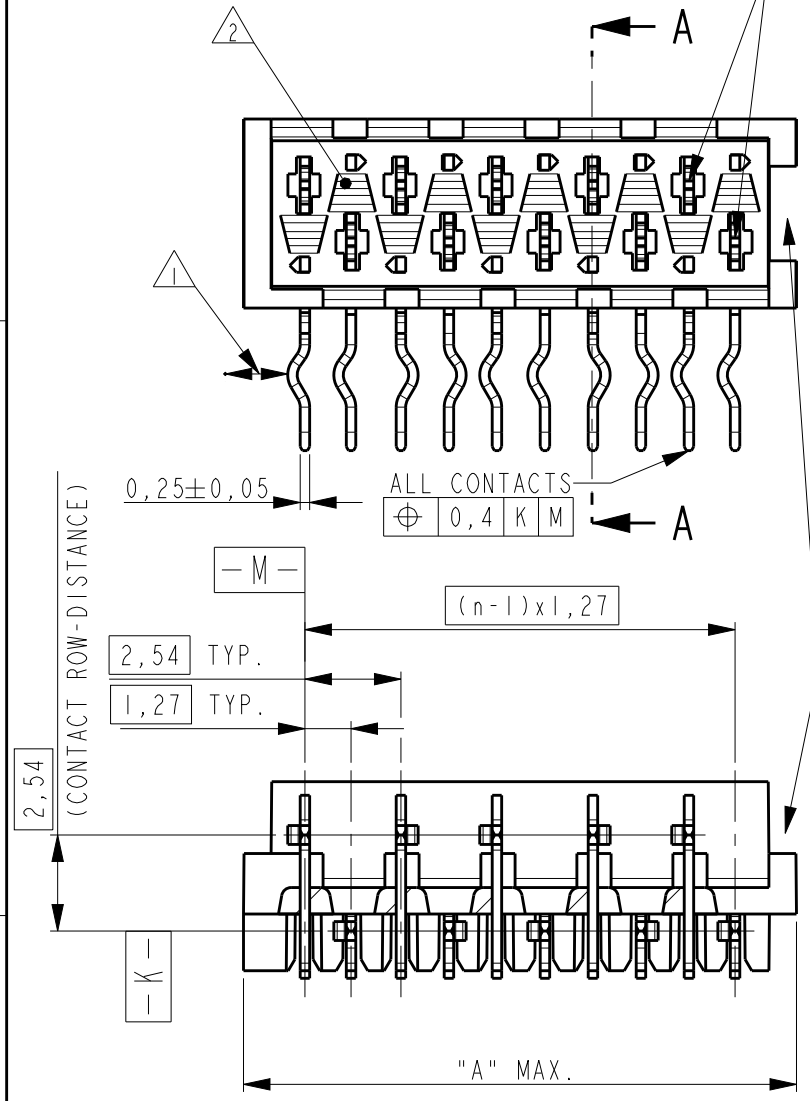


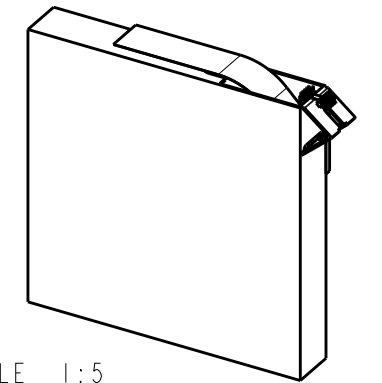
THIS DRAWING IS UNPUBLISHED. RELEASED FOR PUBLICATION
 © COPYRIGHT - BY - ALL RIGHTS RESERVED.

LOC	DIST	REVISIONS					
H	-	P	LTR	DESCRIPTION	DATE	DWN	APVD
		WI		Adhesive tape width changed back to 6 mm	05FEB2016	SS	PS

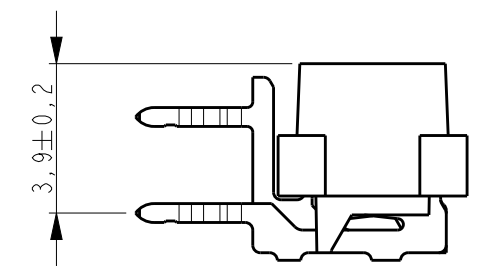
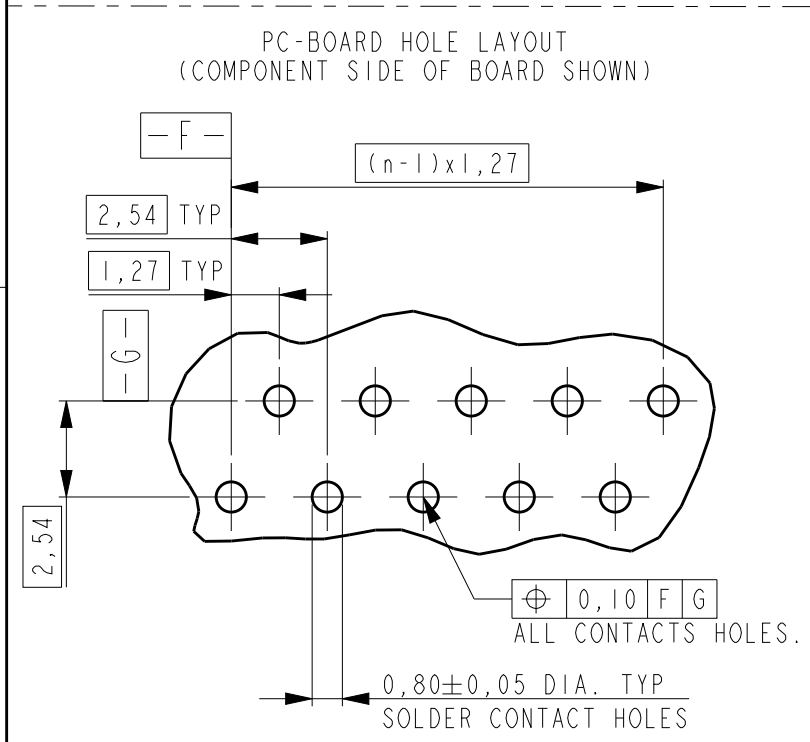
REFERENCE MATING INTERFACE PATTERN:
 1,27 STAGGERED PITCH x 1,5 ROW-DISTANCE.



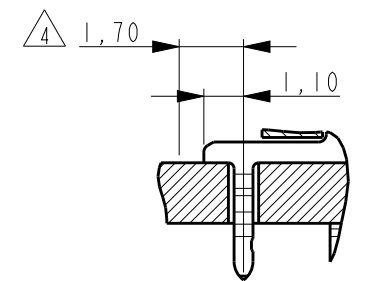
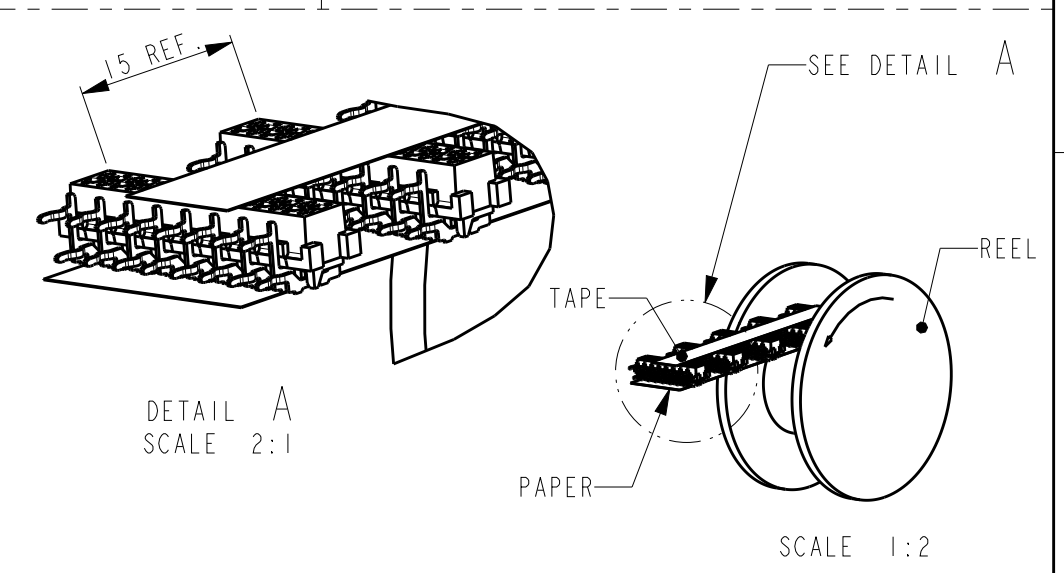
PARTNUMBER BOX PACKAGING	PARTNUMBER REEL PACKAGING	NR OF POS "n"	DIMENSION "A" MAX
7-215460-4	215460-4	4	7,1
7-215460-6	215460-6	6	9,7
7-215460-8	215460-8	8	12,2
8-215460-0	1-215460-0	10	14,7
8-215460-2	1-215460-2	12	17,3
8-215460-4	1-215460-4	14	19,8
8-215460-6	1-215460-6	16	22,4
8-215460-8	1-215460-8	18	24,9
9-215460-0	2-215460-0	20	27,4



BOX PACKAGING
 250 CONNECTORS PER BOX.
 FOR ALL PARTNUMBERS



- NOTES:
- 1 IN EACH ROW, DIRECTION OF KINKS STARTS RANDOM. IN EACH ROW, SEQUENTIAL CONTACTS HAVE OPPOSITE KINK DIRECTIONS.
 - 2 CORING-OUTS FOR MANUFACTURING PURPOSE ONLY. SHAPE MAY VARY, BUT IS NOT FUNCTIONAL FOR THE APPLICATION.
 - 3 SHOWN IS A 10 POSITION CONNECTOR.
 - 4 THIS AREA IS RESERVED FOR CONTACTS.



THIS DRAWING IS A CONTROLLED DOCUMENT.

DIMENSIONS:	TOLERANCES UNLESS OTHERWISE SPECIFIED:
mm	0 PLC ±-
	1 PLC ±-
	2 PLC ±-
	3 PLC ±-
	4 PLC ±-
	ANGLES ±-
MATERIAL	FINISH
SEE TABLE	SEE TABLE

2	HOUSING	G.F. POLYESTER PBT	RED
1	FEMALE CONTACT	PHOSPHOR BRONZE	TIN OVER NICKEL
ITEM NO.	DESCRIPTION	MATERIAL	FINISH / COLOR
DWN	M. GOSSELINK		
CHK			
APVD			
PRODUCT SPEC	108-19052	NAME	
APPLICATION SPEC		CONNECTOR, FEMALE-ON-BOARD SIDE-ENTRY, THRU-HOLE, Micro-MatCh	
WEIGHT		SIZE	CAGE CODE
		A3	00779
		DRAWING NO	RESTRICTED TO
		©-215460	
CUSTOMER DRAWING	SCALE	SHEET	OF
	5:1	1	1
		REV	WI

X-ON Electronics

Largest Supplier of Electrical and Electronic Components

Click to view similar products for [Headers & Wire Housings](#) category:

Click to view products by [TE Connectivity](#) manufacturer:

Other Similar products are found below :

[892-18-020-10-001101](#) [58102-G61-06LF](#) [582553-1](#) [0009485154](#) [009176003701906](#) [0050291907](#) [LY20-4P-DT1-P1E-BR](#) [02.125.8002.8](#)
[609-3404](#) [61062-3](#) [61082-181009](#) [622-3653LF](#) [63453-116](#) [636-1030](#) [636-1427](#) [636-3427](#) [636-4007](#) [641938-9](#) [641991-4](#) [644827-2](#) [65817-010LF](#) [65817-015LF](#) [65863-015LF](#) [66207-023LF](#) [67095-007LF](#) [67601157](#) [68645-018](#) [68648-049](#) [70.362.1628.0](#) [70-4210](#) [70-4226B](#) [70-4853B](#) [707-5020](#) [707-5028](#) [71.350.2428.0](#) [71918-208LF](#) [71961-016LF](#) [733-134](#) [733-162](#) [754199-000](#) [760-3052](#) [787-8014-00](#) [79531-3000](#)
[FCN-360C032-B](#) [FCN-367T-T012/H](#) [FCN-723D010/2](#) [80.063.4001.1](#) [800-90-001-10-001000](#) [800-90-010-10-002000](#) [801-43-002-10-013000](#)