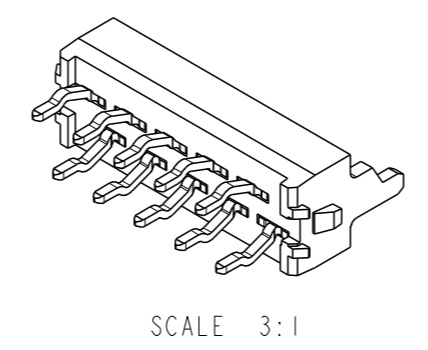
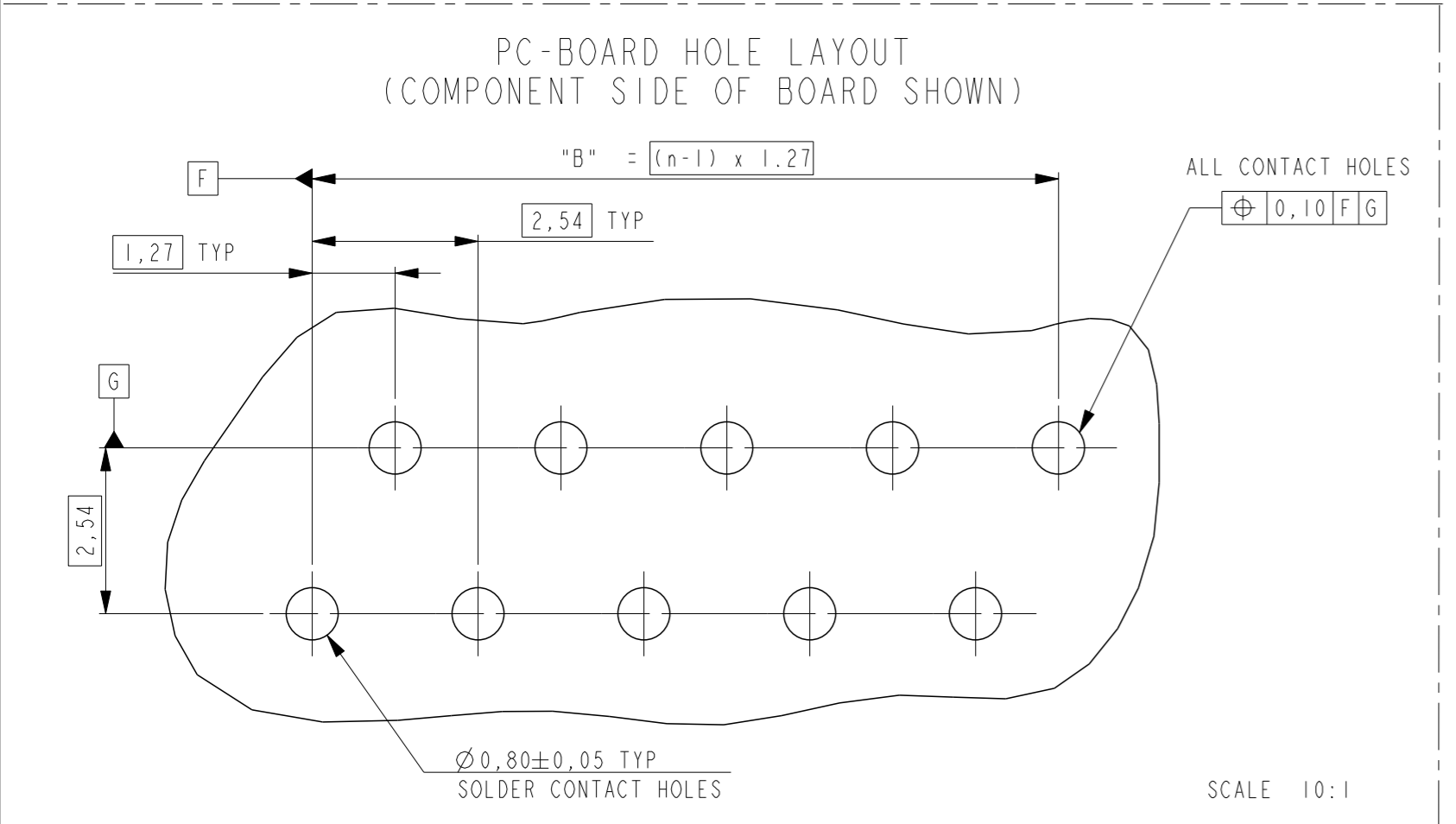
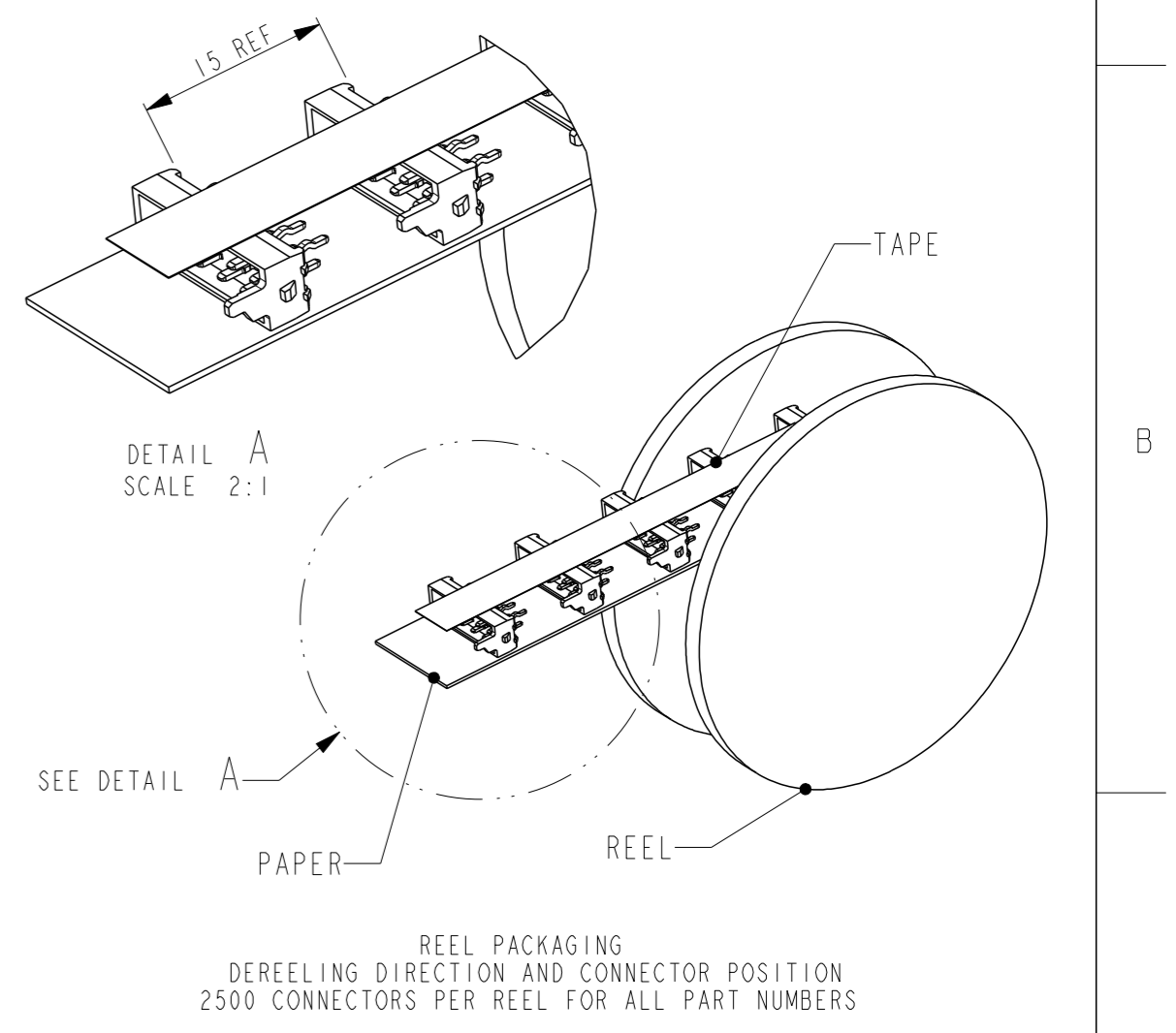
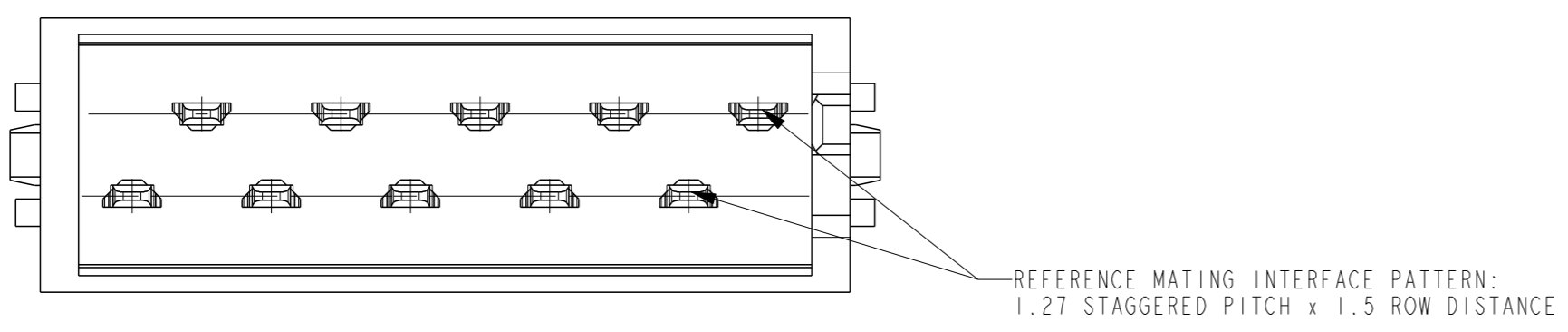
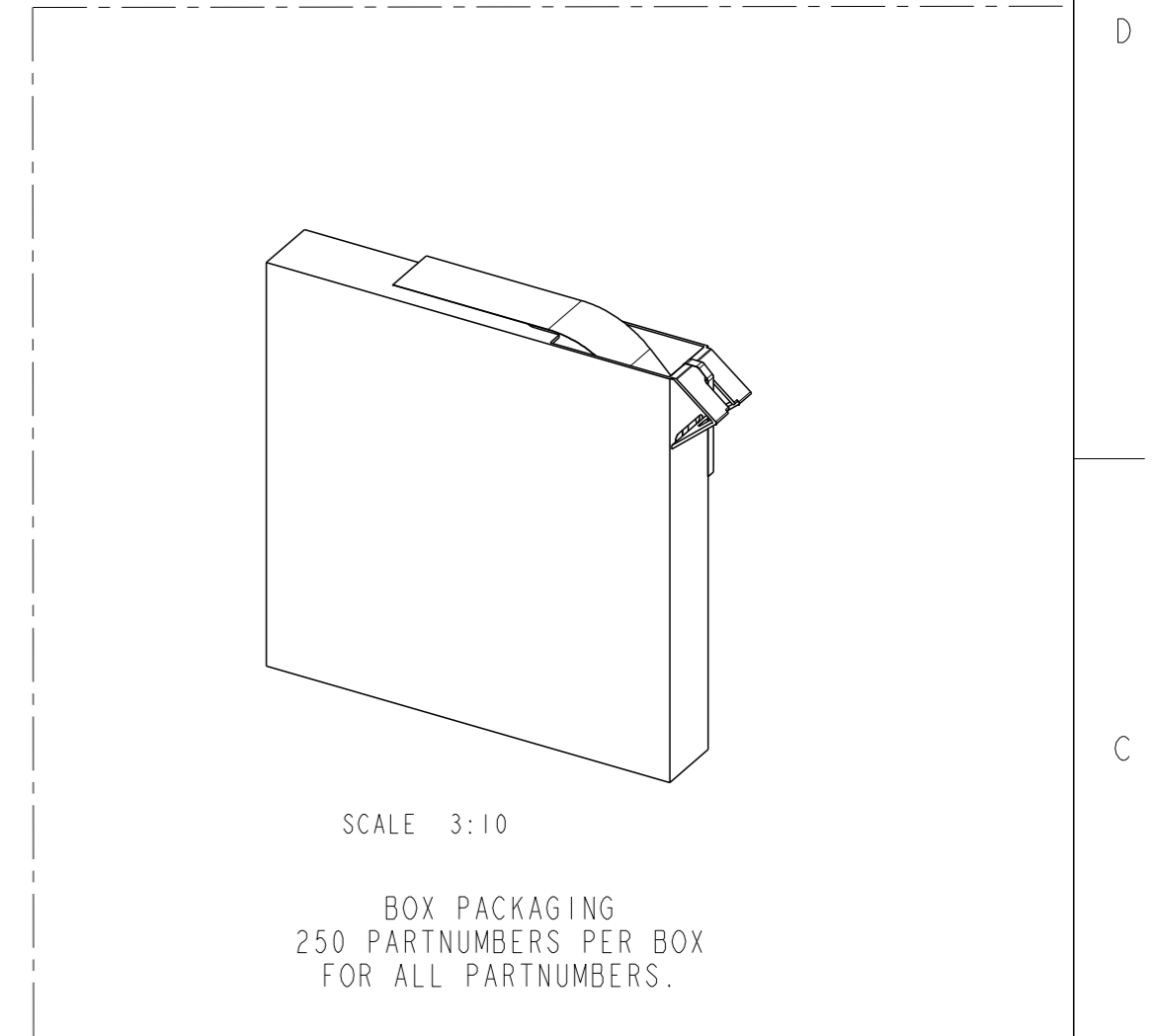
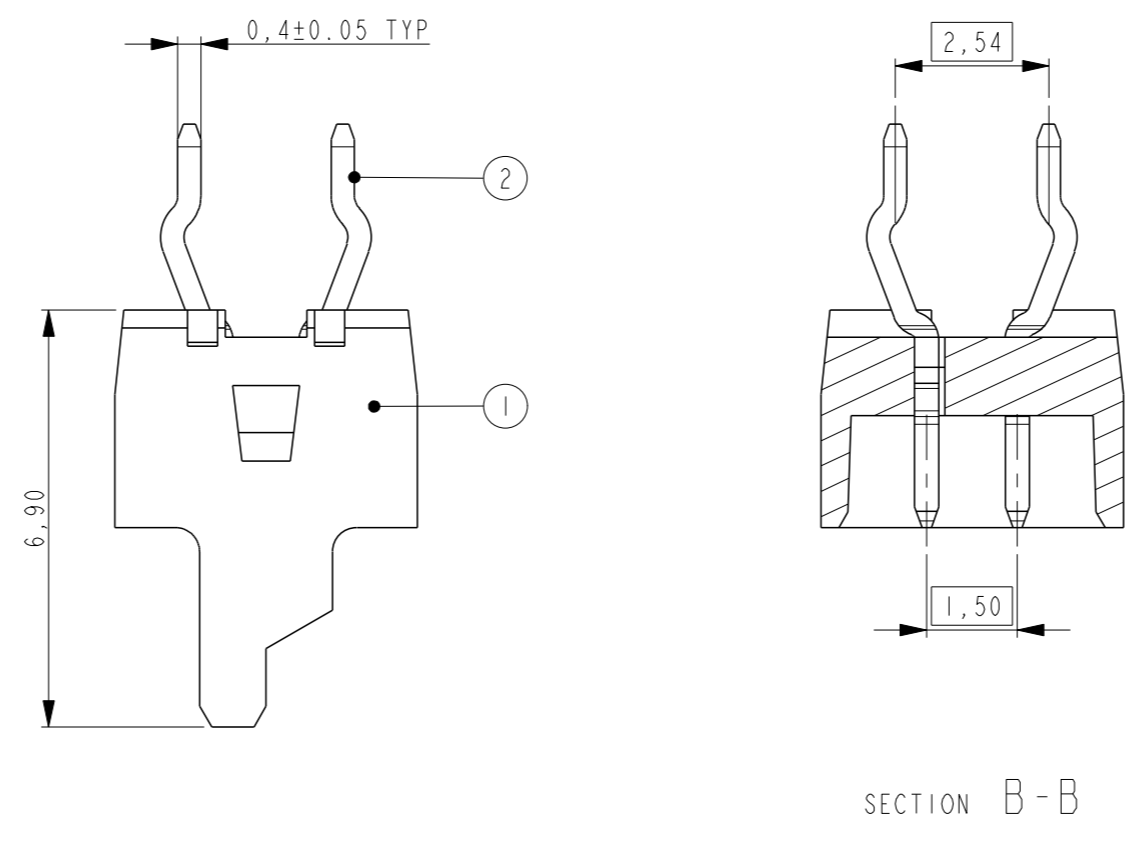
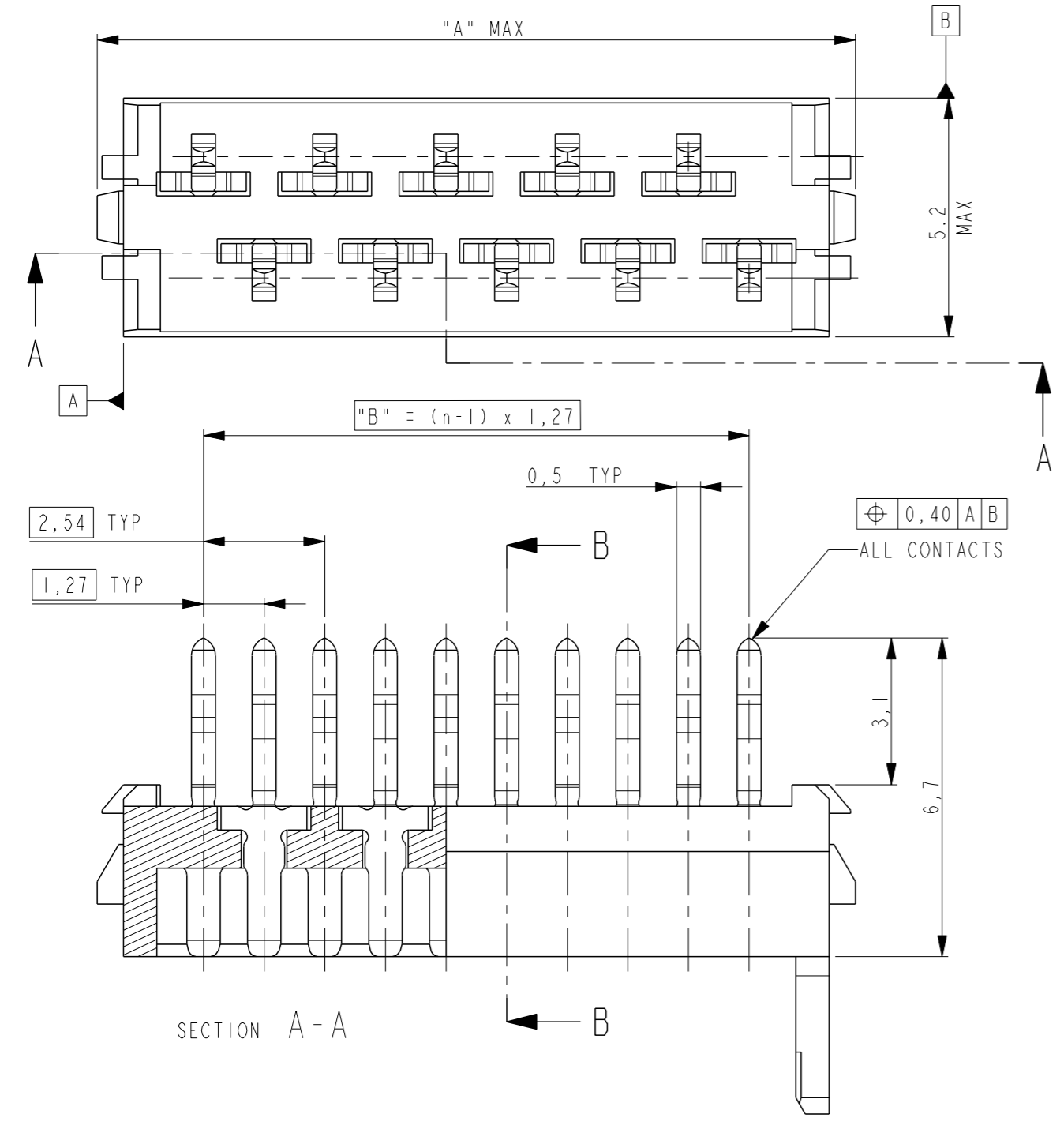


| LOC | | DIST | | REVISIONS | | | |
|-----|-----|-------------|---|-----------|------|----|--|
| P | LTR | DESCRIPTION | DATE | DWN | APVD | | |
| H | - | M2 | DIMENSION AND TOLERANCE ADDITION/CORRECTION | 2-8-11 | SP | RP | |

| PART NUMBER REEL PACKAGING | PART NUMBER BOX PACKAGING | NUMBER OF POSITIONS | "A" MAX | "B" |
|----------------------------|---------------------------|---------------------|---------|-------|
| 0-215464-4 | 7-215464-4 | 4 | 8.3 | 3.81 |
| 0-215464-6 | 7-215464-6 | 6 | 10.9 | 6.35 |
| 0-215464-8 | 7-215464-8 | 8 | 13.4 | 8.89 |
| 1-215464-0 | 8-215464-0 | 10 | 15.9 | 11.43 |
| 1-215464-2 | 8-215464-2 | 12 | 18.5 | 13.97 |
| 1-215464-4 | 8-215464-4 | 14 | 21.0 | 16.51 |
| 1-215464-6 | 8-215464-6 | 16 | 24.0 | 19.05 |
| 1-215464-8 | 8-215464-8 | 18 | 26.1 | 21.59 |
| 2-215464-0 | 9-215464-0 | 20 | 28.6 | 24.13 |



| | | | | | |
|--|--|--|--|--|--|
| THIS DRAWING IS A CONTROLLED DOCUMENT. | | DWN 15-04-1992 | | TE Connectivity | |
| DIMENSIONS: mm | | TOLERANCES UNLESS OTHERWISE SPECIFIED: | | NAME | |
| | | 0 PLC ± 1 PLC ±0.1 2 PLC ±0.20 3 PLC ± 4 PLC ± ANGLES ± FINISH ± | | J. VAN DREUMEL H. KOKKEN | |
| MATERIAL SEE TABLE | | SEE TABLE | | PRODUCT SPEC 108-19052 APPLICATION SPEC | |
| WEIGHT - | | SIZE A2 | | RESTRICTED TO - | |
| CUSTOMER DRAWING | | SCALE 8:1 | | SHEET 1 OF 1 | |
| | | CAGE CODE 00779 | | DRAWING NO. C=215464 | |
| | | | | REV M2 | |

X-ON Electronics

Largest Supplier of Electrical and Electronic Components

Click to view similar products for [Headers & Wire Housings](#) category:

Click to view products by [TE Connectivity](#) manufacturer:

Other Similar products are found below :

[95000-104TRLF](#) [10135584-644402LF](#) [DF62W-EP2022PCA](#) [95000-106TRLF](#) [DF62W-2022SCA](#) [DF62W-EP2022PC](#) [2203348](#) [DF62W-2022SC](#) [1084018](#) [1029039](#) [1084017](#) [802-10-012-10-002000](#) [1112640](#) [1112639](#) [000-34000](#) [0009482033](#) [0009507031](#) [57102-S06-03LF](#) [57202-S52-04LF](#) [PCN6-15S-2.5E](#) [0039019024](#) [58102-G61-06LF](#) [582553-1](#) [0009485154](#) [0009508121](#) [0022285053](#) [0050291907](#) [018731A](#) [LY20-4P-DT1-P1E-BR](#) [02.125.8002.8](#) [60101931](#) [60598-1 \(Cut Strip\)](#) [M1625-3R/100](#) [61062-3](#) [61082-181009](#) [636-1427](#) [638009-1](#) [641938-9](#) [641991-4](#) [644168-1](#) [647662-1](#) [65039-019ELF](#) [65781-018](#) [65781-047](#) [65817-002LF](#) [65817-015LF](#) [65863-015LF](#) [66207-023LF](#) [67016-026LF](#) [67046-001LF](#)