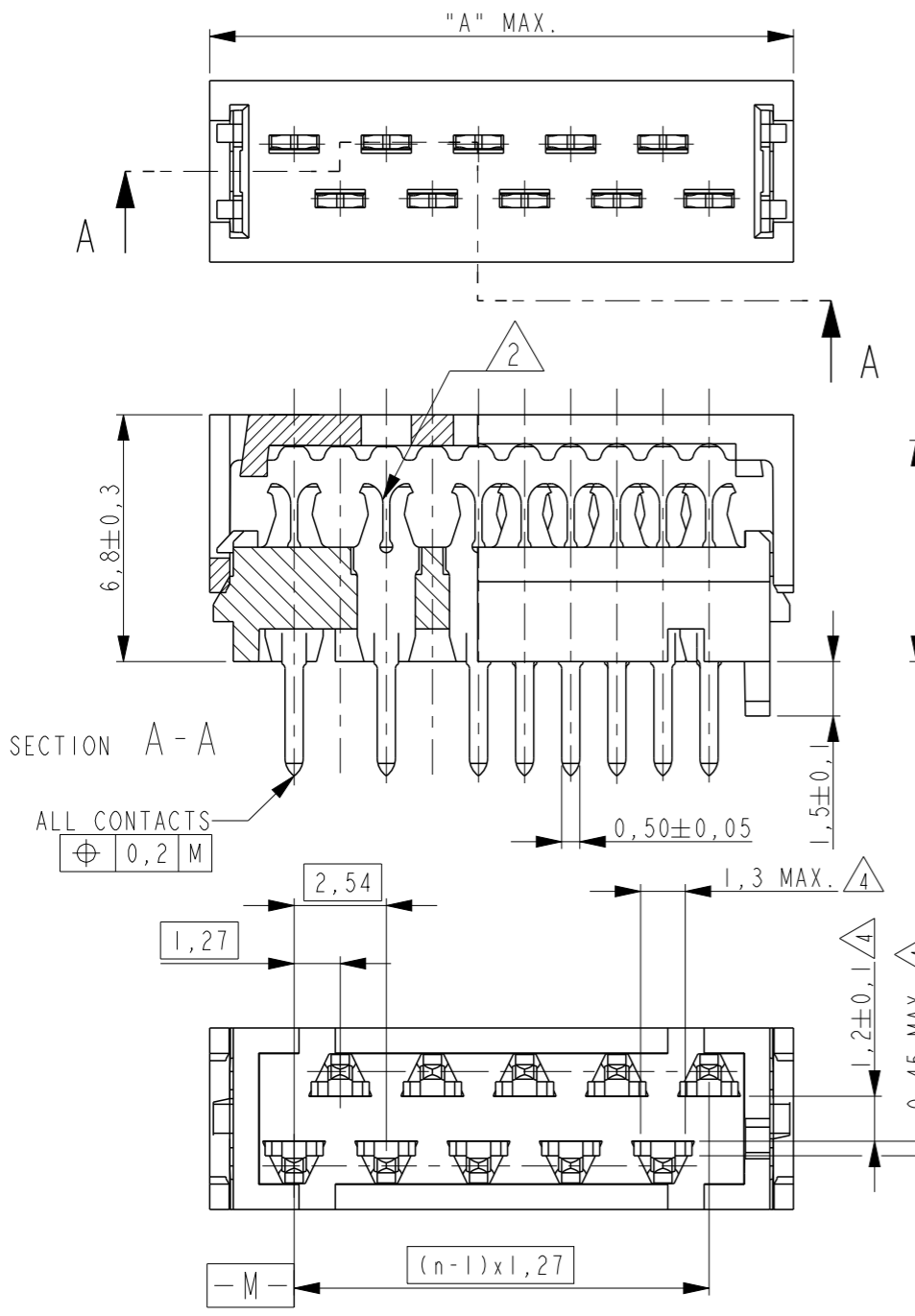
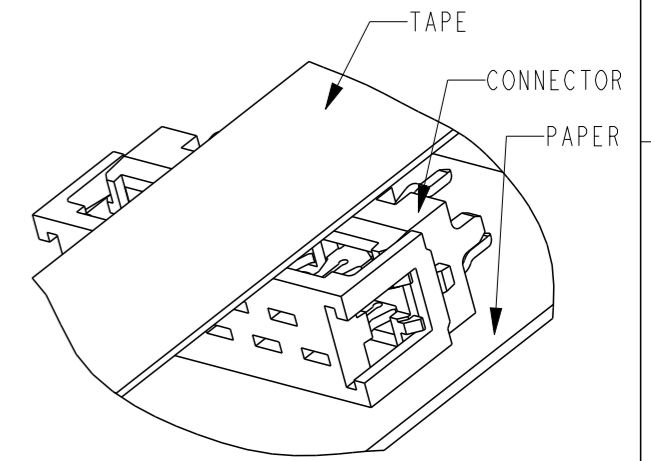


THIS DRAWING IS UNPUBLISHED. RELEASED FOR PUBLICATION
 © COPYRIGHT 19 ALL RIGHTS RESERVED.

LOC	DIST	REVISIONS					
		P	LTR	DESCRIPTION	DATE	DWN	APVD
H	-			Y1 Adhesive tape width changed back to 6 mm	04FEB2016	SS	PS

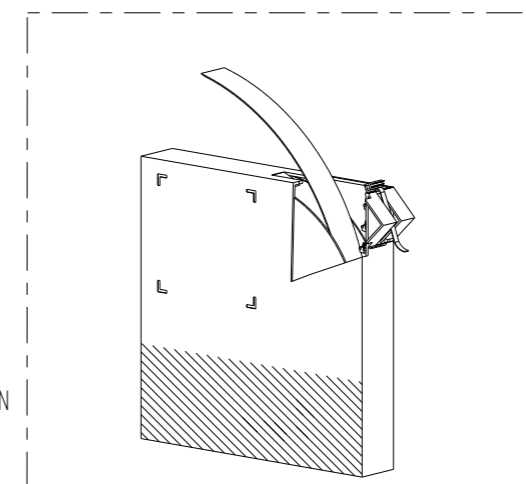


PARTNUMBER BOX PACKAGING	PARTNUMBER REEL PACKAGING	NO OF POS "n"	DIMENSION "A" MAX
7-215570-4	215570-4	4	8,6
7-215570-6	215570-6	6	11,1
7-215570-8	215570-8	8	13,6
8-215570-0	1-215570-0	10	16,2
8-215570-2	1-215570-2	12	18,7
8-215570-4	1-215570-4	14	21,3
8-215570-6	1-215570-6	16	23,8
8-215570-8	1-215570-8	18	26,3
9-215570-0	2-215570-0	20	28,9
9-215570-4	2-215570-4	24	34,0



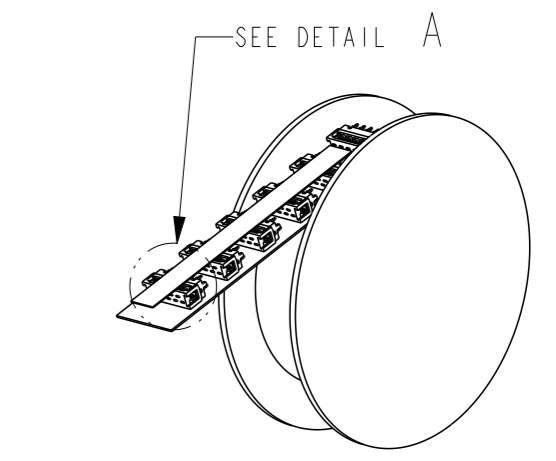
DETAIL A

DEREELING DIRECTION AND POSITION OF CONNECTORS.



250 CONNECTORS PER BOX.

BOX PACKAGING

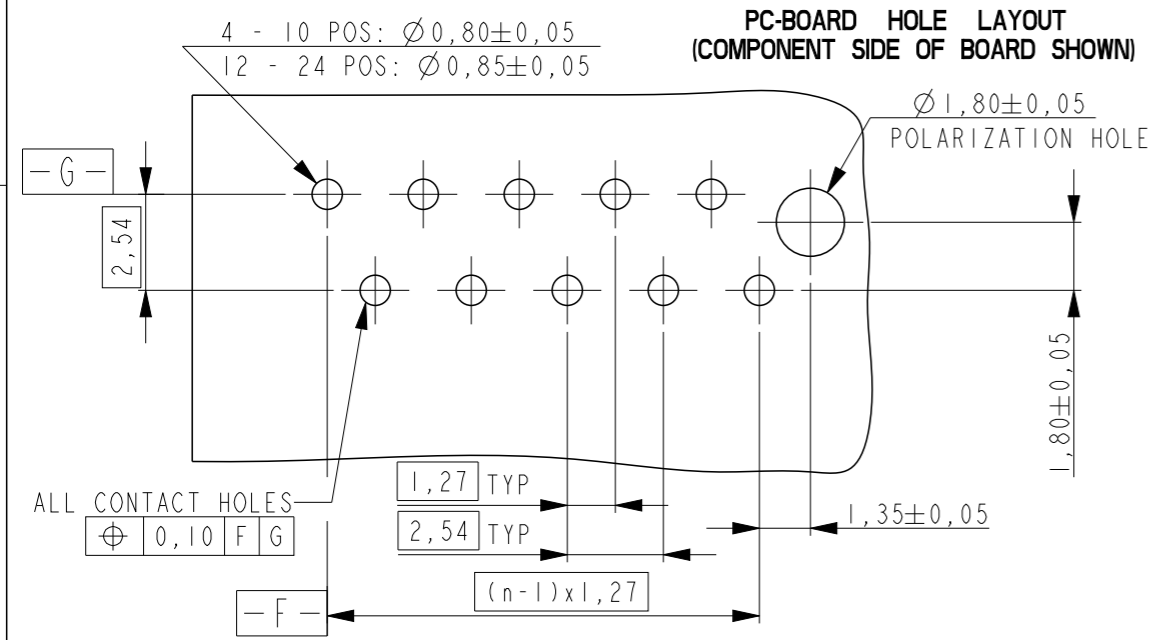


2500 CONNECTORS PER REEL.

REEL PACKAGING

NOTES:

- 1 SHOWN IS A 10 POS. CONNECTOR
- 2 FOR FLAT RIBBON CABLE REQUIREMENTS, SEE APPLICATION SPEC 114-19016.
- 3 CONNECTOR-HEIGHT AFTER CABLE TERMINATION 5,1mm AVERAGE, DEPENDING ON PROCESSING, SEE APPLICATION SPEC 114-19016.
- 4 REF. CONTACT SHOULDER BOTTOM, THAT CAN TOUCH THE PC-BOARD SURFACE.



THIS DRAWING IS A CONTROLLED DOCUMENT.

DIMENSIONS:	TOLERANCES UNLESS OTHERWISE SPECIFIED:
mm	0 PLC ±-
	1 PLC ±-
	2 PLC ±-
	3 PLC ±-
	4 PLC ±-
	ANGLES ±-
MATERIAL	FINISH
SEE TABLE	SEE TABLE

Item no.	Description	Material	Finish
3	PADDLEBOARD HOUSING	G.F.POLYESTER (RED)	-
2	CONTACT	PHOSPHOR BRONZE	TIN OVER NICKEL
1	COVER	G.F.POLYESTER (RED)	-

DWN M. GOSSELINK
 CHK M. GOSSELINK
 APVD E. LEIJTENS
 PRODUCT SPEC 108-19052
 APPLICATION SPEC 114-19016
 WEIGHT -
 CUSTOMER DRAWING

STE TE Connectivity
 Micro-MaTch
 PADDLE BOARD CONNECTOR

SIZE	CAGE CODE	DRAWING NO	RESTRICTED TO
A3	00779	C-215570	-

SCALE 5:1 SHEET 1 OF 1 REV Y1

X-ON Electronics

Largest Supplier of Electrical and Electronic Components

Click to view similar products for [Headers & Wire Housings](#) category:

Click to view products by [TE Connectivity](#) manufacturer:

Other Similar products are found below :

[892-18-020-10-001101](#) [58102-G61-06LF](#) [582553-1](#) [0009485154](#) [009176003701906](#) [0050291907](#) [LY20-4P-DT1-P1E-BR](#) [02.125.8002.8](#)
[609-3404](#) [61062-3](#) [61082-181009](#) [622-3653LF](#) [63453-116](#) [636-1030](#) [636-1427](#) [636-3427](#) [636-4007](#) [641938-9](#) [641991-4](#) [644827-2](#) [65817-](#)
[010LF](#) [65817-015LF](#) [65863-015LF](#) [66207-023LF](#) [67095-007LF](#) [67601157](#) [68645-018](#) [68648-049](#) [70.362.1628.0](#) [70-4210](#) [70-4226B](#) [70-](#)
[4853B](#) [707-5020](#) [707-5028](#) [71.350.2428.0](#) [71918-208LF](#) [71961-016LF](#) [733-134](#) [733-162](#) [754199-000](#) [760-3052](#) [79531-3000](#) [FCN-](#)
[360C032-B](#) [FCN-367T-T012/H](#) [FCN-723D010/2](#) [80.063.4001.1](#) [800-90-001-10-001000](#) [800-90-010-10-002000](#) [801-43-002-10-013000](#)
[801-43-006-10-002000](#)