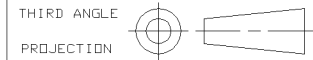


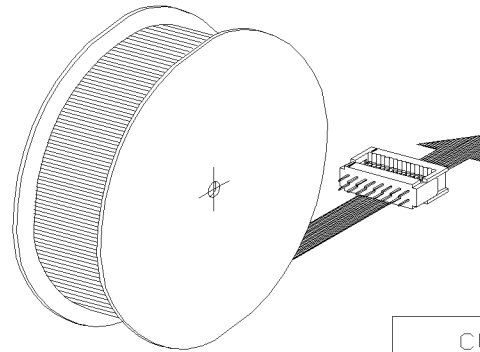
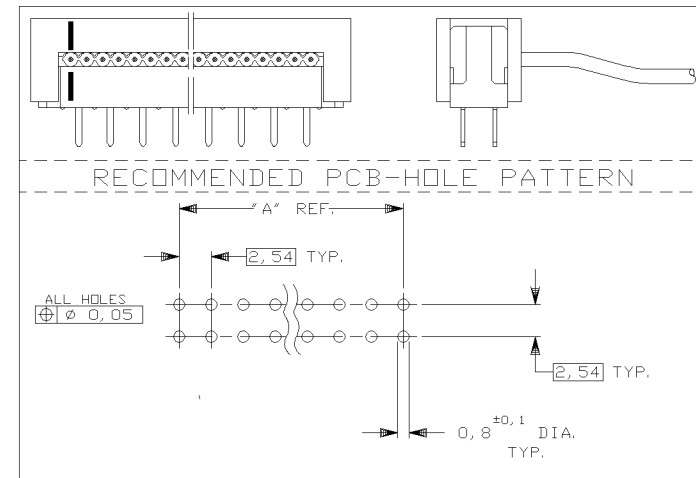
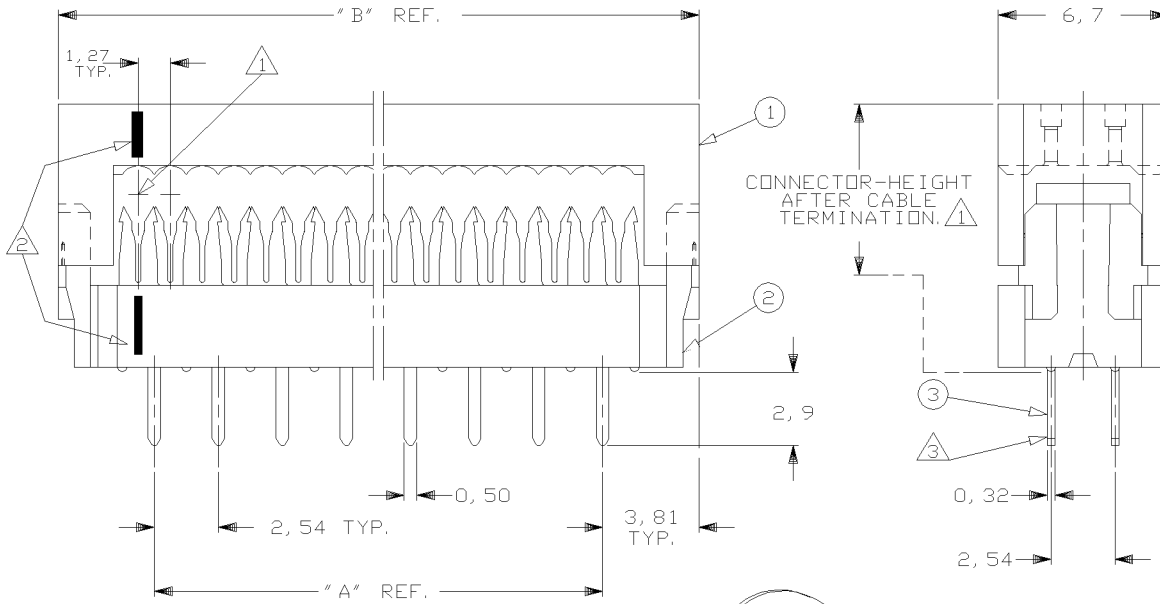
DO NOT SCALE  
DIMENSIONS IN mm

METRIC



NOTES:

- ① CONNECTOR IS DESIGNED FOR FLAT RIBBON CABLE ON 1,27 CENTERS. FOR CABLE REQUIREMENTS SEE APPLICATION SPECIFICATION 114-19022.
- ② INDICATION OF FIRST CABLE POSITION REFERRING TO CORRESPONDING CONTACT POSITION (BLACK INK MARKS)
- ③ SOLDER-TINES FOR 0,8<sup>+0,1</sup> DIA. HOLES.
- 4) PRODUCT SPECIFICATION 108-19033



6-216119-4	A	64	78,74	86,36	1000
6-216119-0	A	60	73,66	81,28	1000
5-216119-0	A	50	60,96	68,58	1000
4-216119-4	A	44	53,34	60,96	1500
4-216119-0	A	40	48,26	55,88	1500
3-216119-4	A	34	40,64	48,26	1500
2-216119-6	A	26	30,48	38,10	1500
2-216119-0	A	20	22,86	30,48	1500
1-216119-6	A	16	17,78	25,40	1500
1-216119-4	A	14	15,24	22,86	1500
1-216119-0	A	10	10,16	17,78	1500
216119-6	A	6	5,08	12,70	1500

A2	REVISED PER ET00-0243-04	A. V.	R. M.	21MAR2005
A1	REVISED PER ET00-0023-04	D. C.	C. T.	09FEB2004
A	-	-	-	22MAY1989

CUSTOMER DRAWING  
FOR REFERENCE ONLY  
WILL NOT BE UPDATED

③ CONTACTS	PHOSPHORBRONZE	3, 0-5, 1µm TIN WITH ENTIRE NICKEL UNDERCOATING
② HOUSING AND COVER	THERMOPLASTIC POLYESTER	GREY
① HOUSING		
COMPONENT NAME	MATERIAL	PLATING / COLOUR

**tyco Electronics**  
AMP ITALIA S.p.A.  
Corso F.lli Cervi, 15  
COLLEGNÒ (TORINO)  
~~THIS DRAWING IS UNPUBLISHED~~ RELEASED FOR PUBLICATION 7-10, 1988  
© COPYRIGHT 1988 BY AMP-HOLLAND B. V.  
ALL INTERNATIONAL RIGHTS RESERVED.  
AMP PRODUCTS MAY BE COVERED BY U. S. AND FOREIGN PATENTS AND/OR PATENTS PENDING.

DR. W. R. VERBEET.	DATE 7-10'88	WIRE RANGE SEE NOTE ①	NAME
CHK. R. VERSTIJNEN.	DATE 10-10'88	INSUL. RANGE SEE NOTE ①	AMP-LATCH 2,54 DIL-PLUG CONNECTOR WITHOUT RETENTION LEGS TAPE-MOUNTED ON REEL.
APP. L. v. SDEEST.	DATE 10-10'88	SIZE A3	SHEET 1 OF 1
		DWG. No. C-216119	REV. LTR. A2

## X-ON Electronics

Largest Supplier of Electrical and Electronic Components

*Click to view similar products for [Bench Top Tools](#) category:*

*Click to view products by [TE Connectivity](#) manufacturer:*

Other Similar products are found below :

[63801-7271](#) [5-690451-2](#) [570416-000](#) [59737-3](#) [6-1372442-6](#) [6-21084-7](#) [6-2119582-2](#) [63801-4462](#) [63801-7269](#) [639029070](#) [679527-1](#) [68284-1](#) [690223-2](#) [691530-1](#) [7-18023-8](#) [768514-1](#) [768539-1](#) [768597-1](#) [809696-1](#) [810408](#) [811070-1](#) [819347-1](#) [852772-1](#) [853858-1](#) [854130-1](#) [854178-1](#) [854946-1](#) [854946-2](#) [856189-1](#) [904262-1](#) [904449-1](#) [9-1633962-3](#) [9-1633962-4](#) [9-1633962-5](#) [9-22279-4](#) [9-22280-9](#) [970609-000](#) [986096-2](#) [1-1901695-2](#) [1-1901696-2](#) [992438-3](#) [1-1976053-3](#) [1-2119644-2](#) [1-2119644-3](#) [1-2119791-1](#) [1-25022-4](#) [125327-000](#) [122760-1](#) [1-23470-5](#) [126379-1](#)