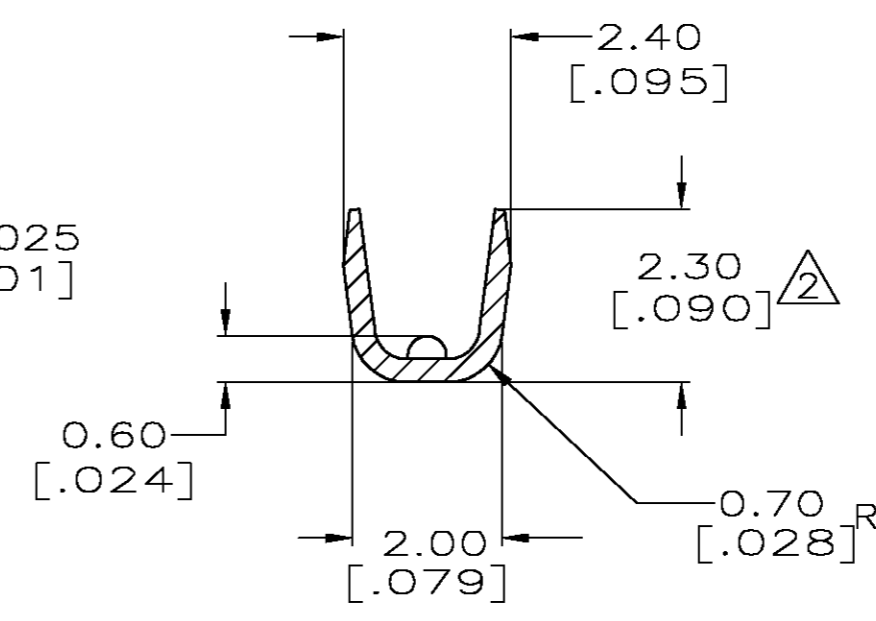
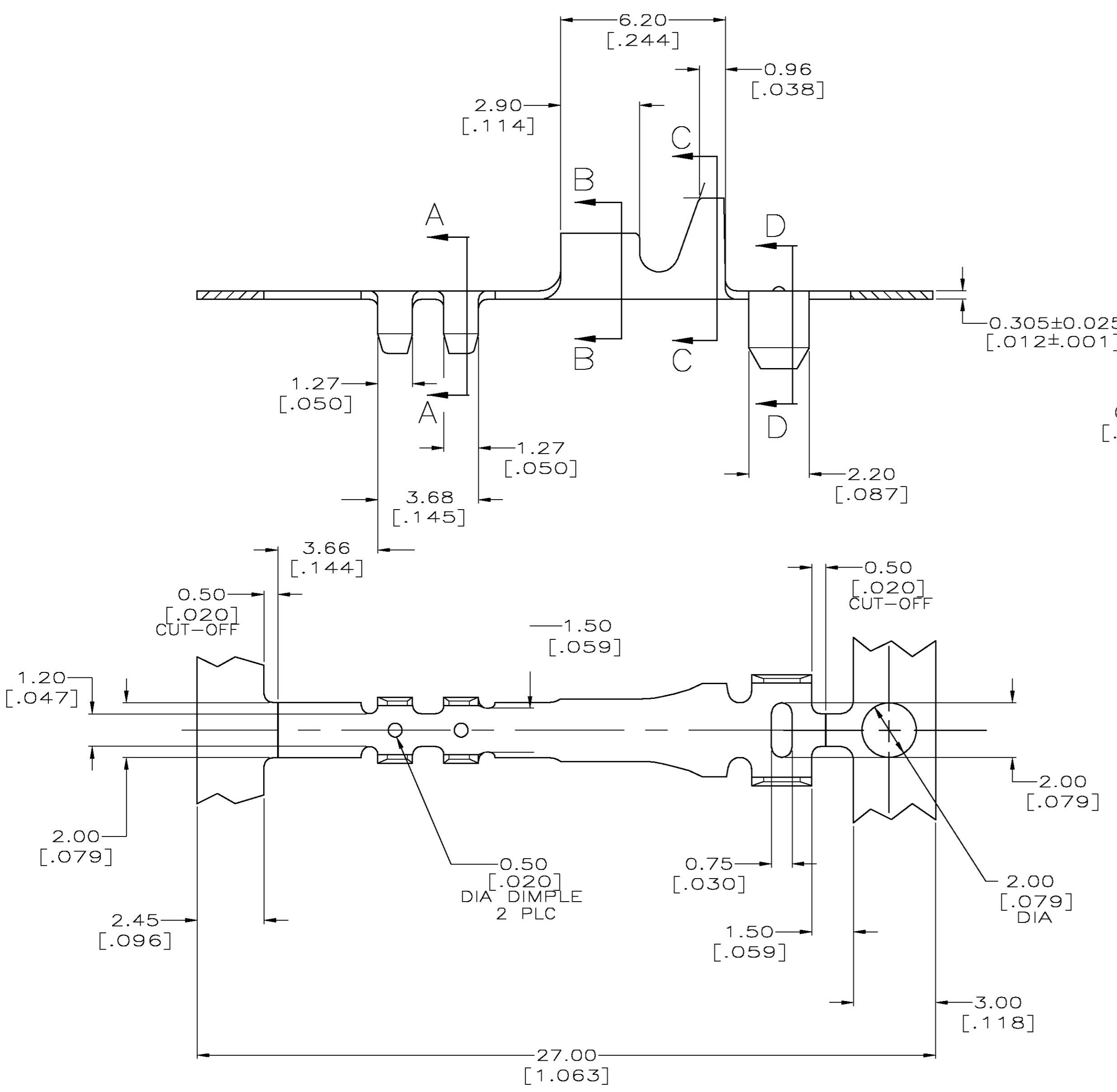


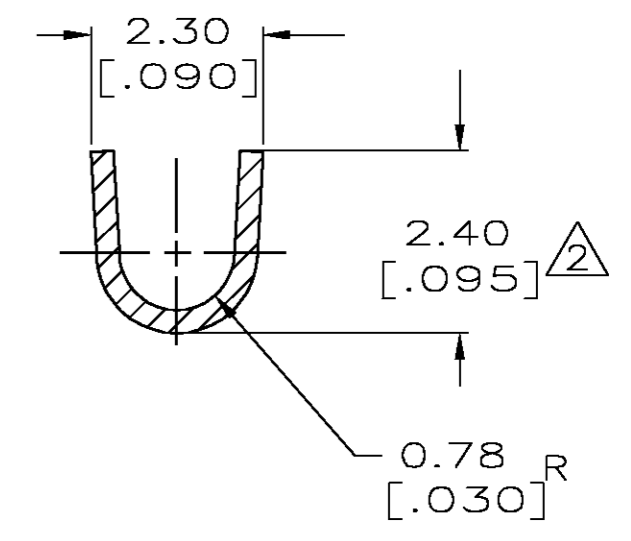
THIS DRAWING IS UNPUBLISHED. RELEASED FOR PUBLICATION  
 © COPYRIGHT BY TYCO ELECTRONICS CORPORATION. ALL RIGHTS RESERVED.

LOC		DIST		REVISIONS			
P	LTR	DESCRIPTION	DATE	DWN	APVD		
AF	50	D	REV PER 0G3A-0246-03	19JUN03	JR	GY	

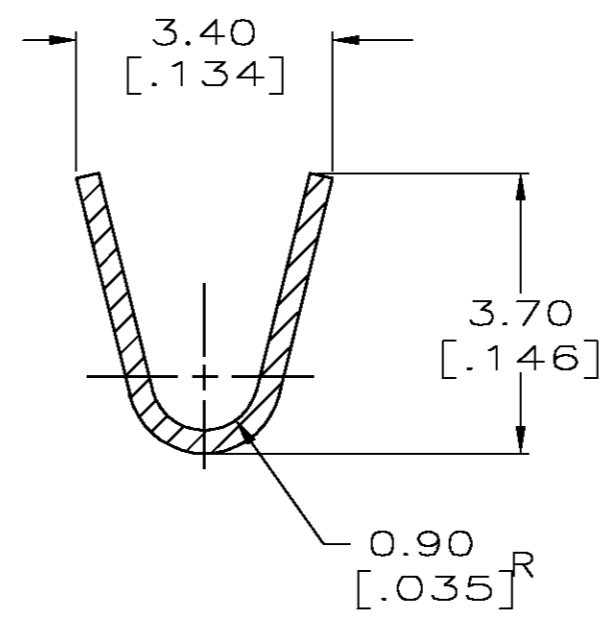
- 1 CONTINUOUS STRIP ON REEL.
- 2 SIGNIFICANT DIMENSION.
- 3 0.00254 [.000100] MIN THK TIN OVER 0.00127 [.000050] MIN THICK NICKEL UNDERPLATE.



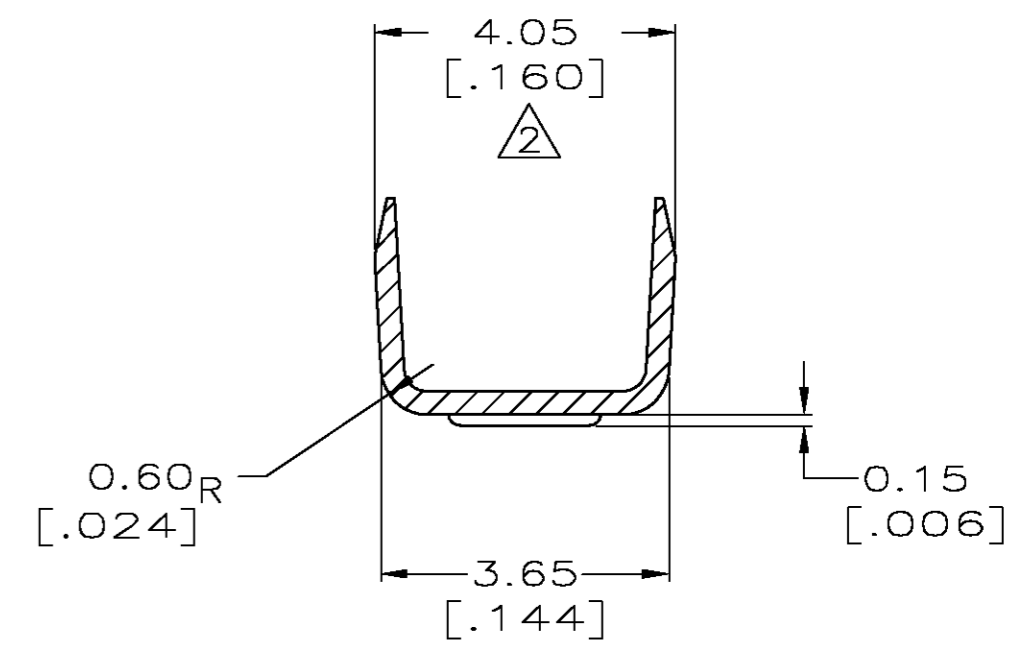
SECTION A-A  
 SCALE 10:1  
 ROTATED 180°  
 2 PLC



SECTION B-B  
 SCALE 10:1



SECTION C-C  
 SCALE 10:1



SECTION D-D  
 SCALE 10:1  
 ROTATED 180°

1217028-1  
 PART NUMBER

THIS DRAWING IS A CONTROLLED DOCUMENT.		DWN PHILLIP M FORTNEY 29/OCT/97	Tyco Electronics Corporation Harrisburg, PA 17105
DIMENSIONS: MM		CHK JEFF R RUTH 29/OCT/97	
TOLERANCES UNLESS OTHERWISE SPECIFIED:		APVD GARY YETTER 29/OCT/97	NAME TERMINAL, SPECIAL
0 PLC ± - 1 PLC ± - 2 PLC ± 0.10 [.004] 3 PLC ± - 4 PLC ± - ANGLES ± - FINISH - 3		PRODUCT SPEC APPLICATION SPEC	SIZE A2
MATERIAL 082 BRASS		WEIGHT -	CAGE CODE 00779
		DRAWING NO C=1217028	
		RESTRICTED TO -	
CUSTOMER DRAWING		SCALE 8:1	SHEET 1 OF 1
		REV D	

## X-ON Electronics

Largest Supplier of Electrical and Electronic Components

*Click to view similar products for [Terminals](#) category:*

*Click to view products by [TE Connectivity](#) manufacturer:*

Other Similar products are found below :

[HT-13-10](#) [71M-250-32-NB](#) [01-2065-1-0216](#) [00581P0075](#) [M10-10RX](#) [M10BCK](#) [60205-1](#) [604200-1](#) [60598-1-CUT-TAPE](#) [60617-1-C](#) [60873-1](#) [M14-516R/SK](#) [M14-6RSX](#) [M18-10FLX](#) [M18-8FBX](#) [M18-8R/LX](#) [M18BCK](#) [61314-6-C](#) [61-S](#) [61-SN-A](#) [62-NBM-A](#) [63-S](#) [640179-1](#) [640917-2-CUT-TAPE](#) [6501550002](#) [66107-2-C](#) [66107-4-C](#) [696683-1](#) [696834-1](#) [696861-1](#) [696931-1](#) [696999-1](#) [M8-516RK](#) [M86700006](#) [MA250DMFMX-A](#) [701-2007](#) [701-2307](#) [701-7761-03](#) [70F-110-32-PB](#) [718-N-A](#) [71M-187-20-NBL](#) [71M-250-32-NBL](#) [72F-187-20-NBL](#) [72M-250-32-NBL](#) [7310](#) [73F-250-32](#) [73F-250-32-NBL](#) [73F-250-32-NL](#) [F14-10C](#) [F-1M](#)