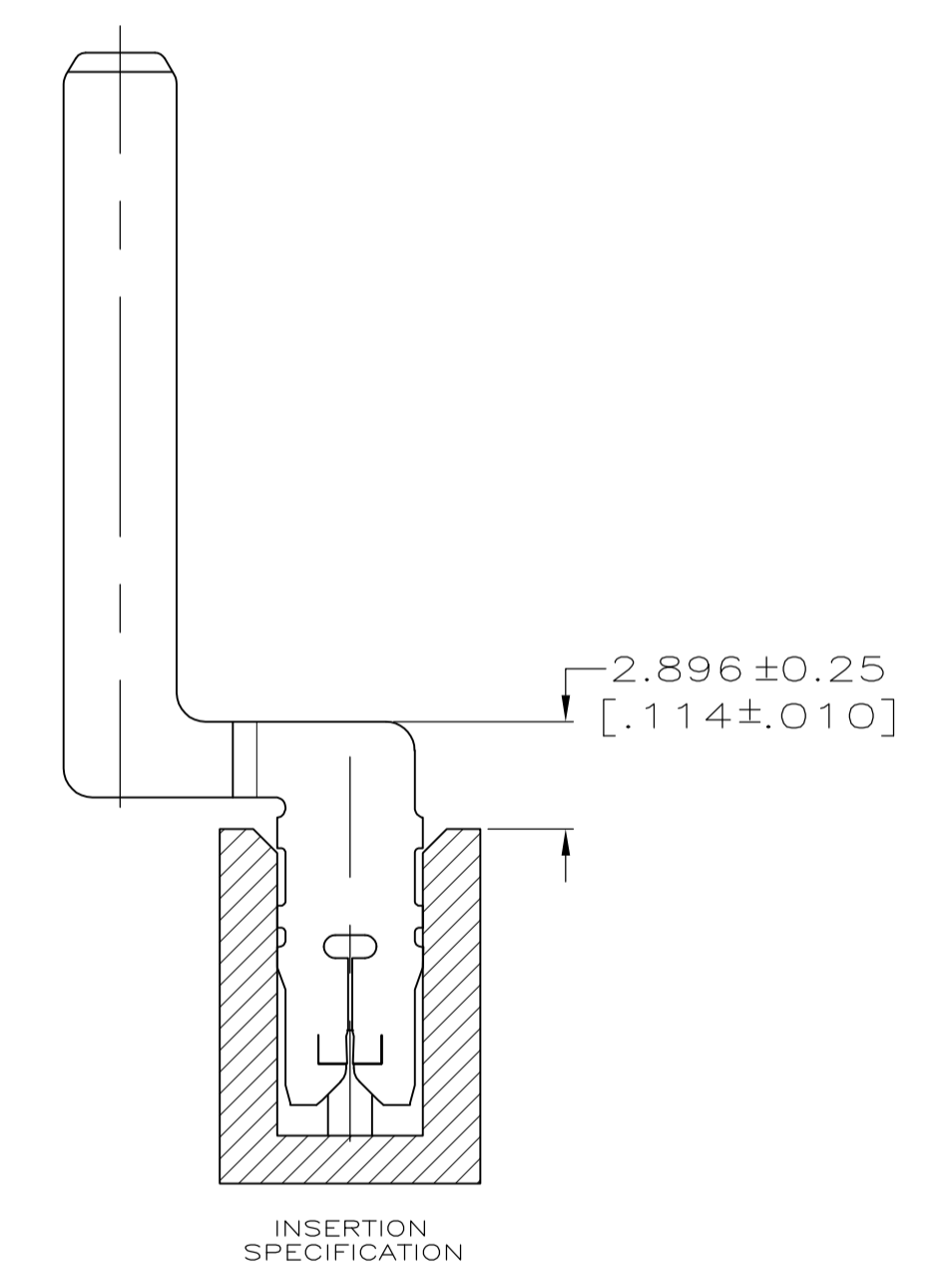
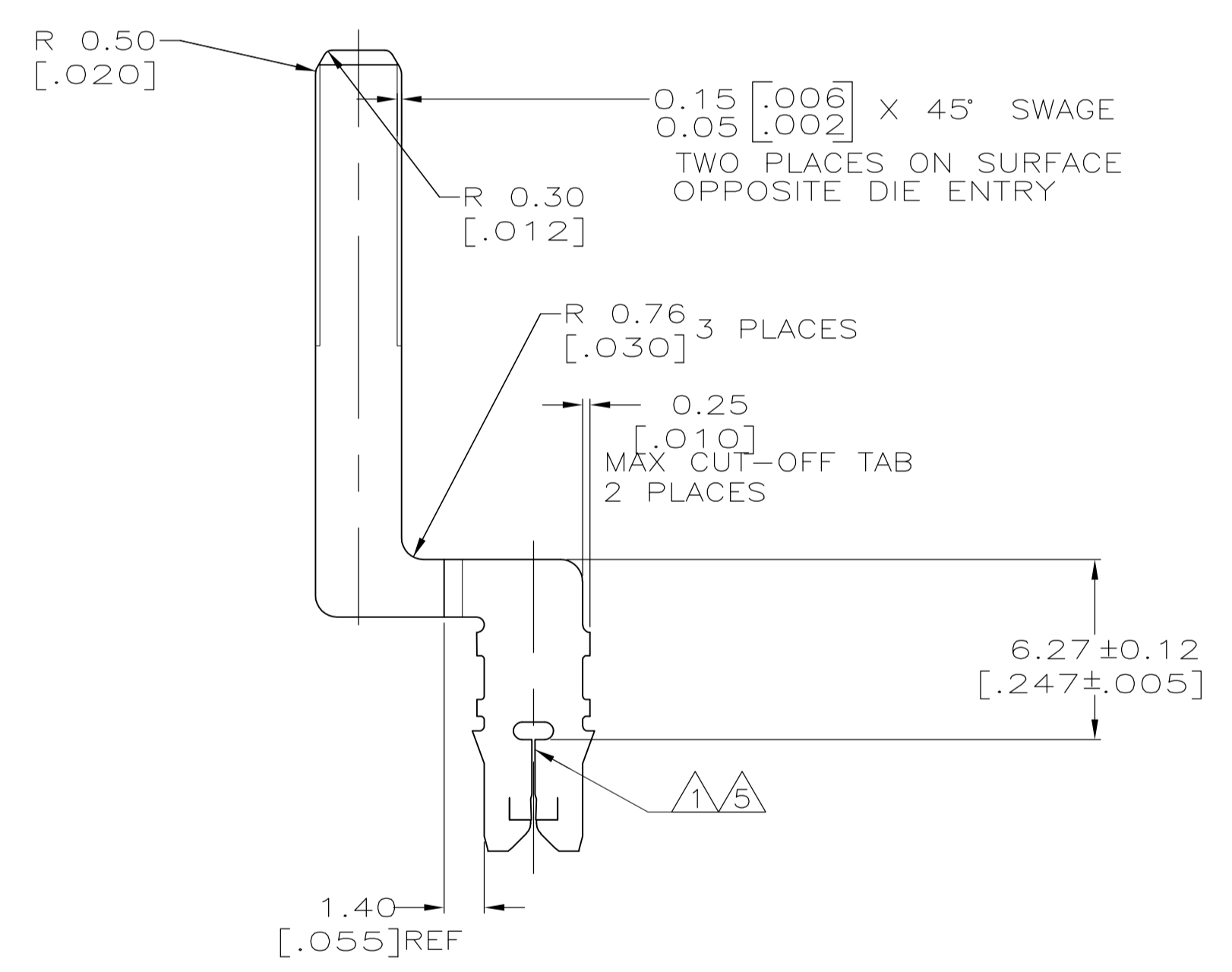
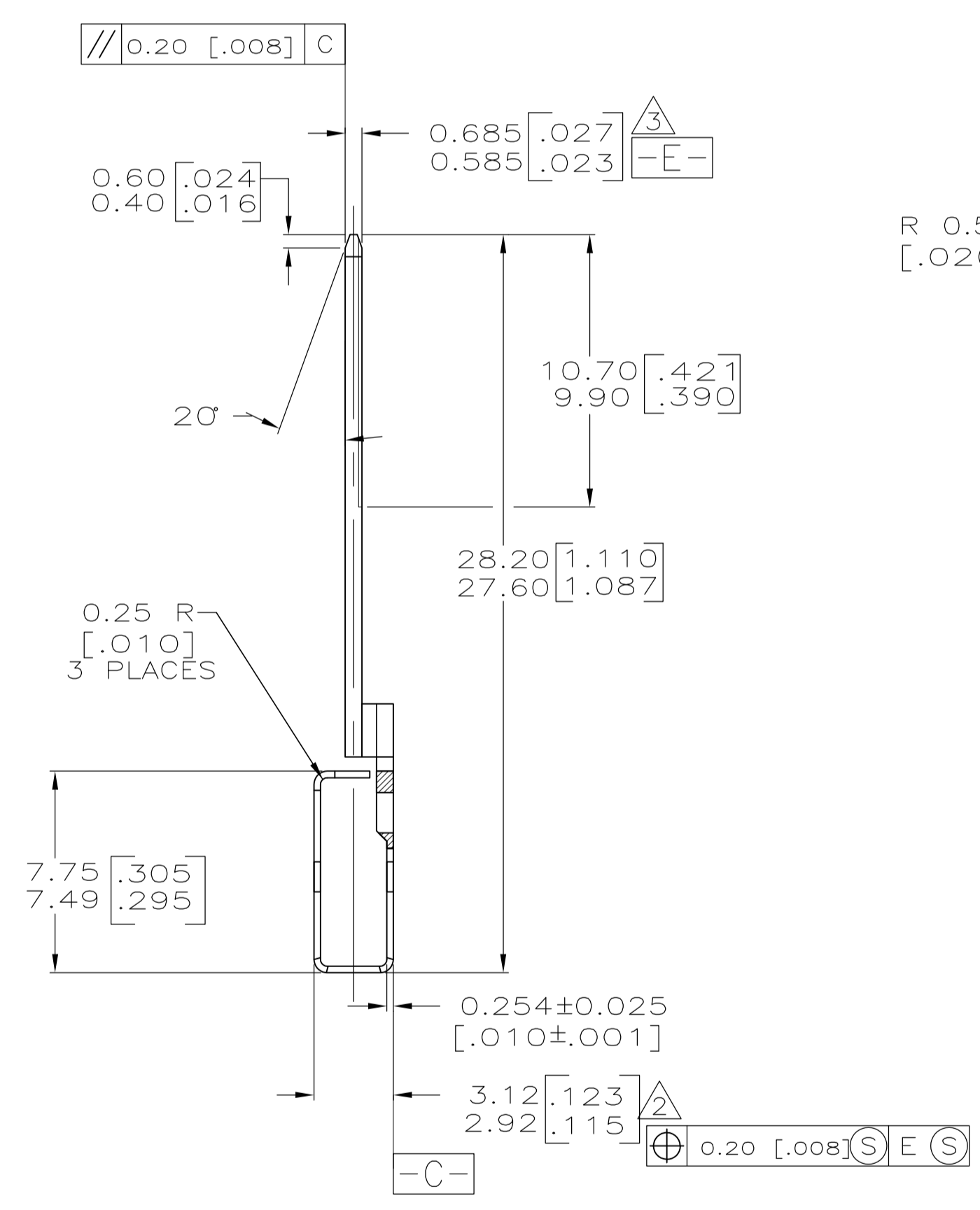
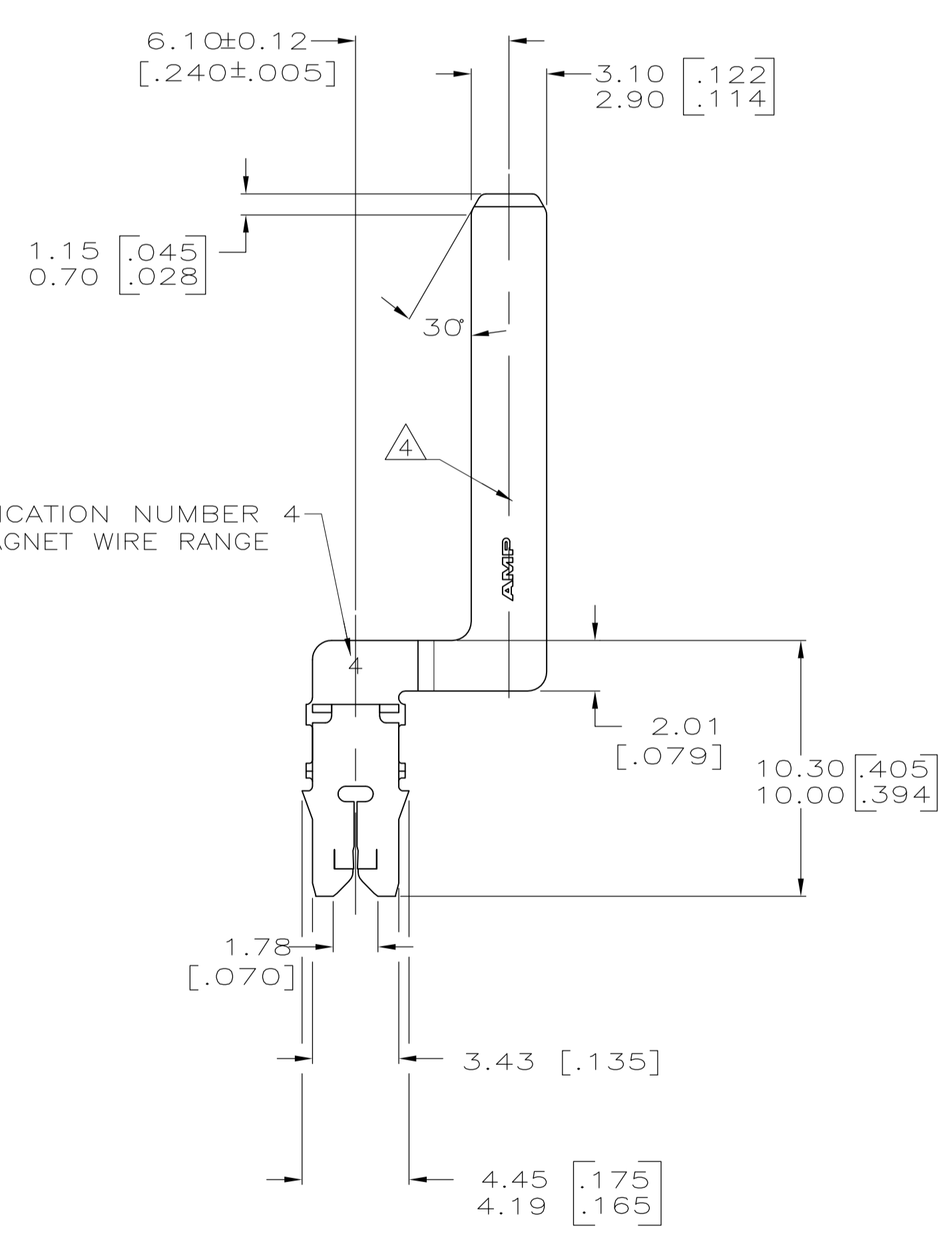
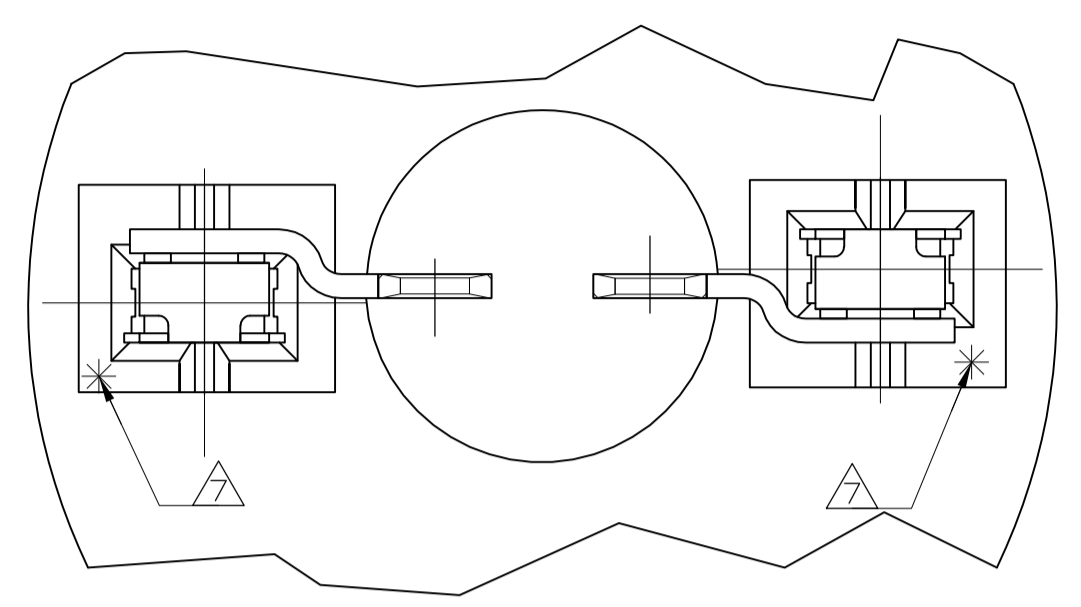
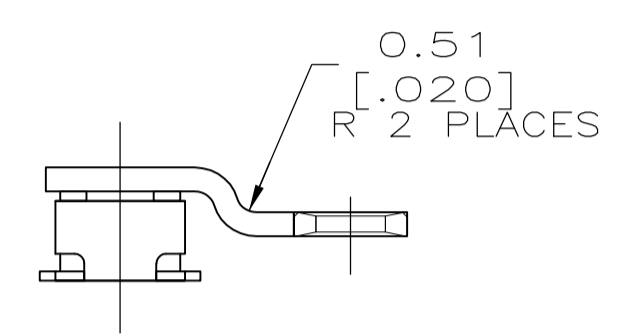


LOC		DIST		REVISIONS			
AF	50	REV	DATE	DESCRIPTION	DATE	BY	APPV
A1	ECO-14-002653		24FEB14			PKS	RRP

- 1. SLOT TERMINATES A SINGLE 0.20mm DIA [#32] AWG COPPER MAGNET WIRE.
- 2. BOX TO MEET THIS DIMENSION WHEN INSERTED INTO A CAVITY 3.12 [.123] DEEP.
- 3. SYMMETRY TO BE MEASURED AT THE "NOSE" OF THE BOX.
- 4. MEASURE PLATING THICKNESS ON THE TAB; FORMED SIDE OF THE TERMINAL.
- 5. SLOT MUST ACCEPT A 0.089 [.0035] DIA PIN GAGE; SLOT MUST NOT ACCEPT A 0.18 [.007] DIA PIN GAGE. MEASURE ONE BEAM AT A TIME.
- 6. 0.001 [.000040] MIN. THICK TIN PLATE
- 7. POINT OF MEASUREMENT, LOCATED APPROXIMATELY AS SHOWN



1217032-1  
PART NUMBER

THIS DRAWING IS A CONTROLLED DOCUMENT.		DIN R GRZYBOWSKI 24NOV97		STE TE Connectivity	
DIMENSIONS: INCHES		CHK M.S.FEHER 24NOV97		NAME NELSON E. NEFF	
TOLERANCES UNLESS OTHERWISE SPECIFIED:		APVD		PRODUCT SPEC	
0 PLC ± -		108-2012		APPLICATION SPEC	
1 PLC ± -		114-2046		RESTRICTED TO	
2 PLC ± 0.18[.007]		SIZE		CAGE CODE	
3 PLC ± -		A1		DRAWING NO	
4 PLC ± -		00779		1217032	
ANGLES ± 3°		WEIGHT		SCALE	
MATERIAL BRASS		CUSTOMER DRAWING		5:1	
FINISH		SHEET		1 OF 1	
REV		REV		REV	

## X-ON Electronics

Largest Supplier of Electrical and Electronic Components

*Click to view similar products for [Terminals](#) category:*

*Click to view products by [TE Connectivity](#) manufacturer:*

Other Similar products are found below :

[00-054007-01074-6](#) [00-054007-70206-1](#) [00-054007-70210-8](#) [00-054007-70217-7](#) [00-054007-70226-9](#) [00-054007-70228-3](#) [00-054007-70248-1](#) [00-054007-70256-6](#) [00-054007-70301-3](#) [00-054007-70316-7](#) [0-0320562-0](#) [00-054007-49560-4](#) [00-054007-70209-2](#) [00-054007-70225-2](#) [00-054007-70227-6](#) [00-054007-70231-3](#) [00-054007-70241-2](#) [00-054007-70242-9](#) [00-054007-70244-3](#) [00-054007-70246-7](#) [00-054007-70263-4](#) [00-054007-70288-7](#) [00-054007-70290-0](#) [00-054007-70300-6](#) [00-054007-70304-4](#) [01-2065-1-0216](#) [01-2900-1-04412](#) [00581P0075](#) [600TS-10](#) [60205-1](#) [604200-1](#) [605601-1](#) [60598-1-CUT-TAPE](#) [61314-6-C](#) [61810-3](#) [61-S](#) [61-SN](#) [626-0194](#) [62-NBM-A](#) [62-SN](#) [62-SP](#) [63-S](#) [640179-1](#) [M55155/059I03](#) [M55155/079C01](#) [M55155/099H02](#) [M55155/109H01](#) [M55155/109H02](#) [M55155/12XH05](#) [M55155/16XH02](#)