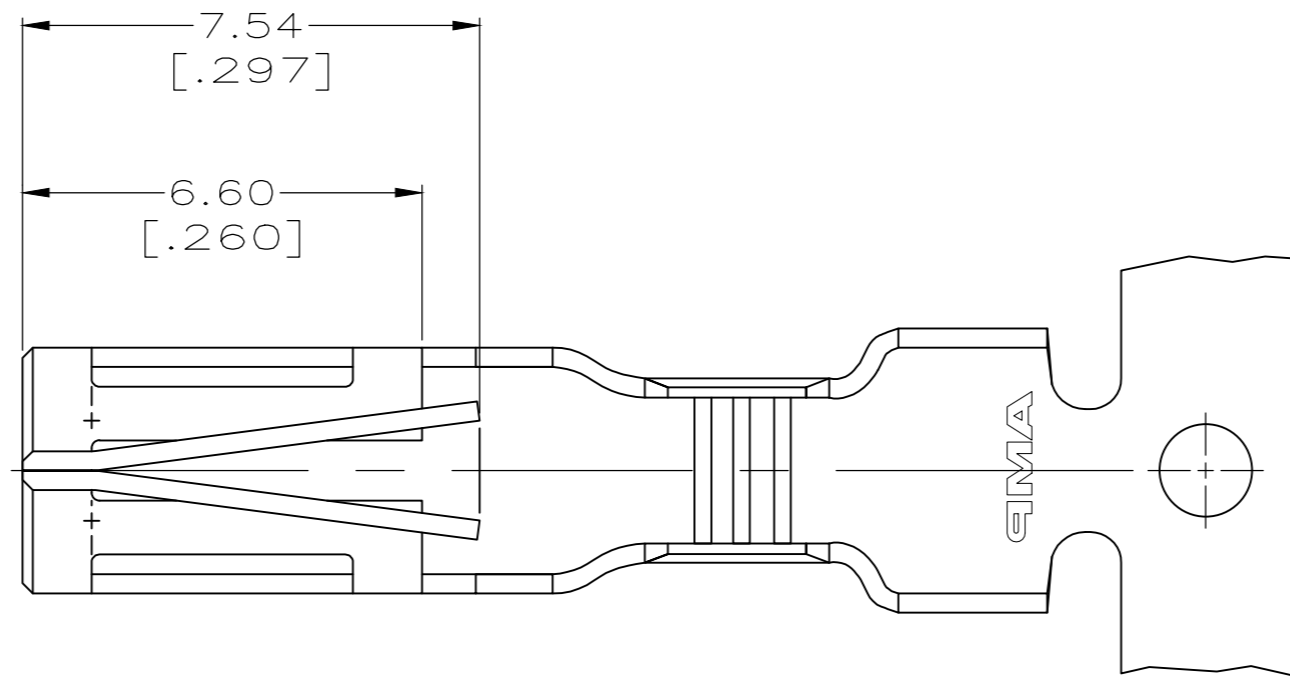
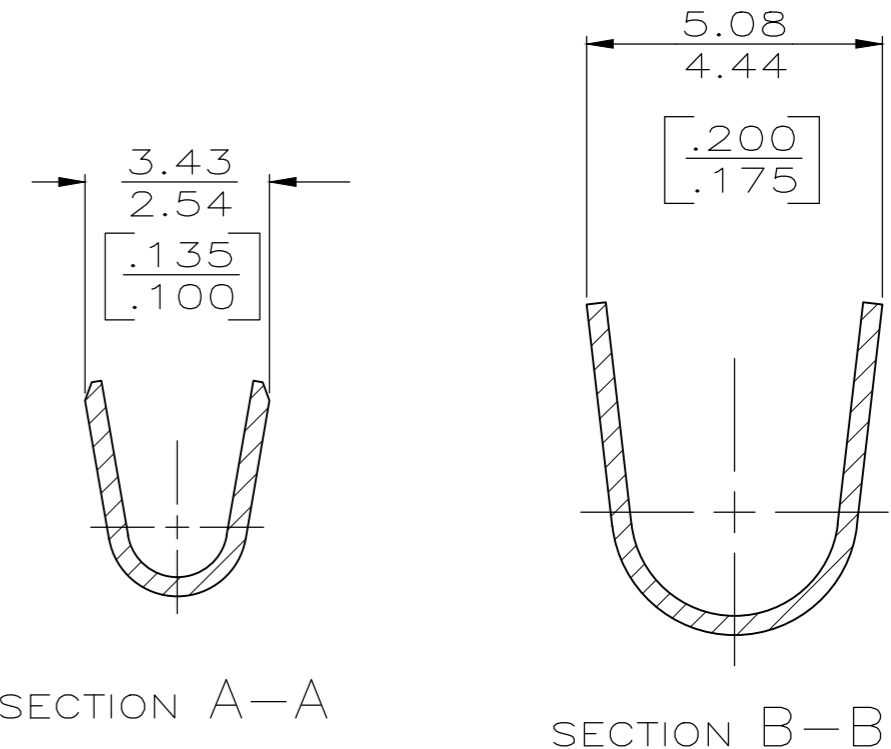
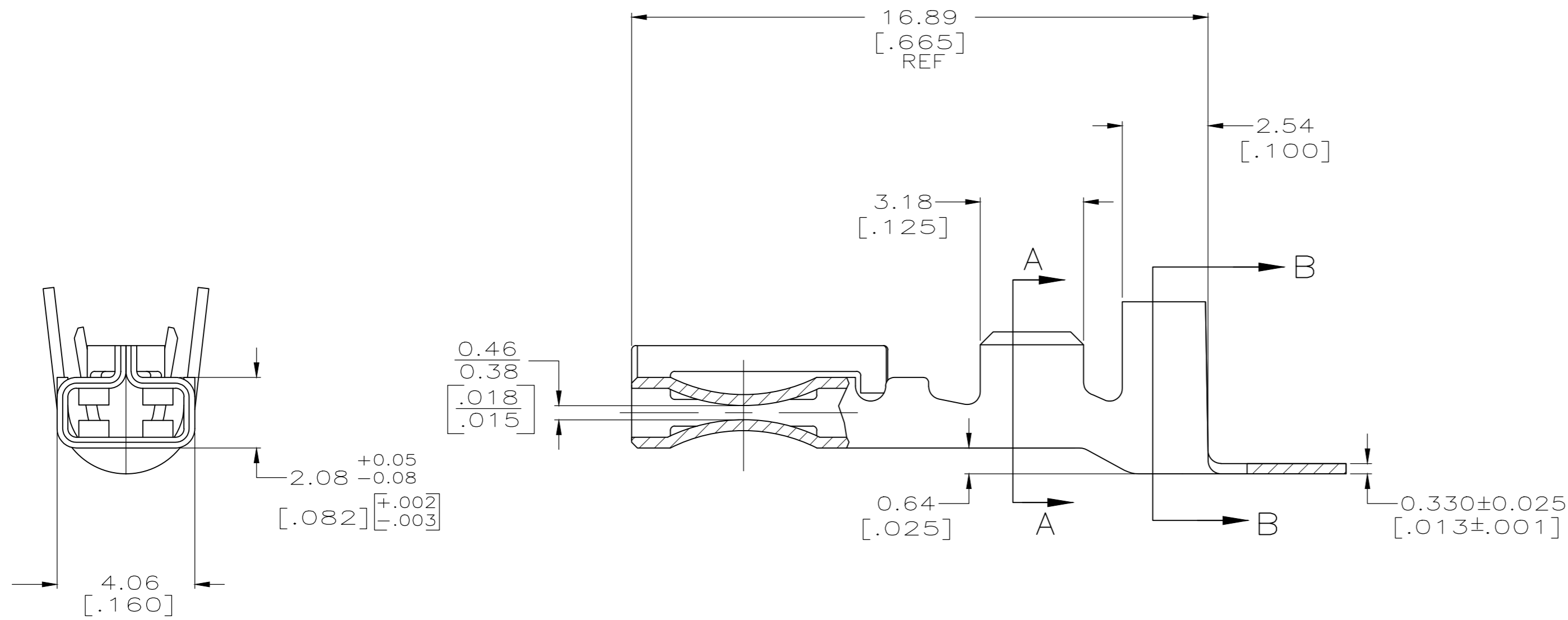


THIS DRAWING IS UNPUBLISHED. RELEASED FOR PUBLICATION  
 © COPYRIGHT - By - ALL RIGHTS RESERVED.

REVISIONS				
P	LTR	DESCRIPTION	DATE	APVD
E6		REVISED PER ECR 18-011199	16JUL18	MD TD



- 1 CONTINUOUS STRIP ON REEL.
- 2 WIRE SIZE: 0.8-2.0mm<sup>2</sup>[#18-#14AWG]SINGLE WIRE. ALSO CONNECTS 2 WIRES (2X#20 AWG, 2x#18 AWG OR 1x#16 PLUS 1X#18 AWG).
- 3 INSULATION RANGE: 2.16-3.30 [.085-.130] FOR SINGLE WIRE. CONSULT APPLICATION SPECIFICATION FOR 2 WIRE COMBINATIONS.
- 4 PRELIMINARY - NOT FOR PRODUCTION.
- 5 LUBRICATION NEEDS TO BE APPLIED DURING TERMINATION.
- 6 TERMINAL IS SUPPLIED LUBRICATED TO AID TERMINATION.



OBSOLETE	FINISH	MATERIAL	PART NUMBER
<del>6</del>	POST PLATED TIN	H06 BRASS	<del>1217039-4</del>
5	PRE-PLATED TIN	H06 COPPER ALLOY	1217039-3
5	POST PLATED NICKEL	H08 COPPER ALLOY	1217039-2
5	POST PLATED TIN	H06 BRASS	1217039-1

THIS DRAWING IS A CONTROLLED DOCUMENT.		DWN 05/DEC/97 PHILLIP M. FORTNEY	TE Connectivity Ltd.	
DIMENSIONS: mm [INCHES]		CHK 05/DEC/97 JEFF R. RUTH	NAME	
TOLERANCES UNLESS OTHERWISE SPECIFIED:		APVD 05/DEC/97 DON DECKER	PRODUCT SPEC	
0 PLC ± -		108-1271-1		
1 PLC ± -		APPLICATION SPEC		
2 PLC ± 0.25 [.010]		114-49003		
3 PLC ± -		SIZE CAGE CODE DRAWING NO		
4 PLC ± -		WEIGHT 0,000000 A2 00779 C=1217039		
ANGLES ± -		RESTRICTED TO		
MATERIAL SEE TABLE		FINISH SEE TABLE		
CUSTOMER DRAWING		SCALE 8:1 SHEET 1 of 1 REV E6		

## X-ON Electronics

Largest Supplier of Electrical and Electronic Components

*Click to view similar products for [Automotive Connectors](#) category:*

*Click to view products by [TE Connectivity](#) manufacturer:*

Other Similar products are found below :

[003-018-000](#) [60403001](#) [60993906-B](#) [M902-2131](#) [M902-2161](#) [72.330.1035.1](#) [73.353.4028.0](#) [F119300-B](#) [F166900](#) [F258300-B](#) [F358300-B](#)  
[F407400](#) [F444110](#) [F487000](#) [F509500B-B](#) [827153-1](#) [8N1515-32-24P](#) [9-1326729-8](#) [925474-1](#) [928905-1](#) [964562-4](#) [968782-1](#) [GT17SA-8DS-](#)  
[HU](#) [98891-1012](#) [98947-1016](#) [12004147](#) [12004475-L](#) [12010290](#) [12010309-B](#) [12015454](#) [12020219-B](#) [12020308](#) [12041318-B](#) [12052225-L](#)  
[12052466](#) [12059125](#) [12064869](#) [12004327-B](#) [12010503-B](#) [12015308](#) [12015384](#) [12015909](#) [1-21030-1](#) [12041254](#) [12041318](#) [12047946-B](#)  
[12047957](#) [12047957-L](#) [12059473](#) [12066261](#)