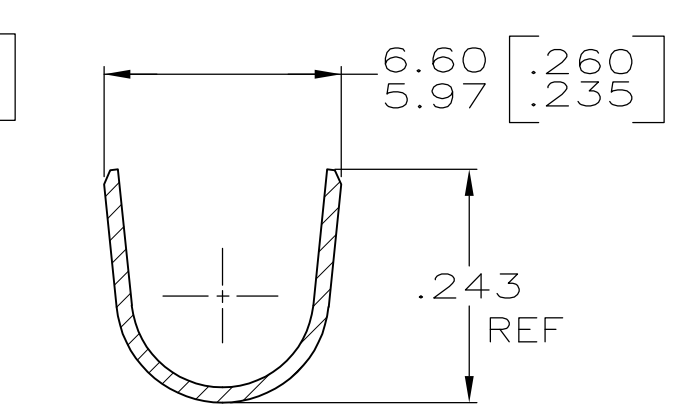
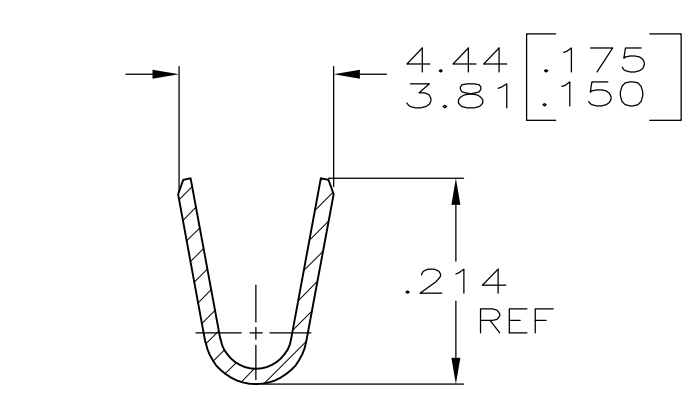
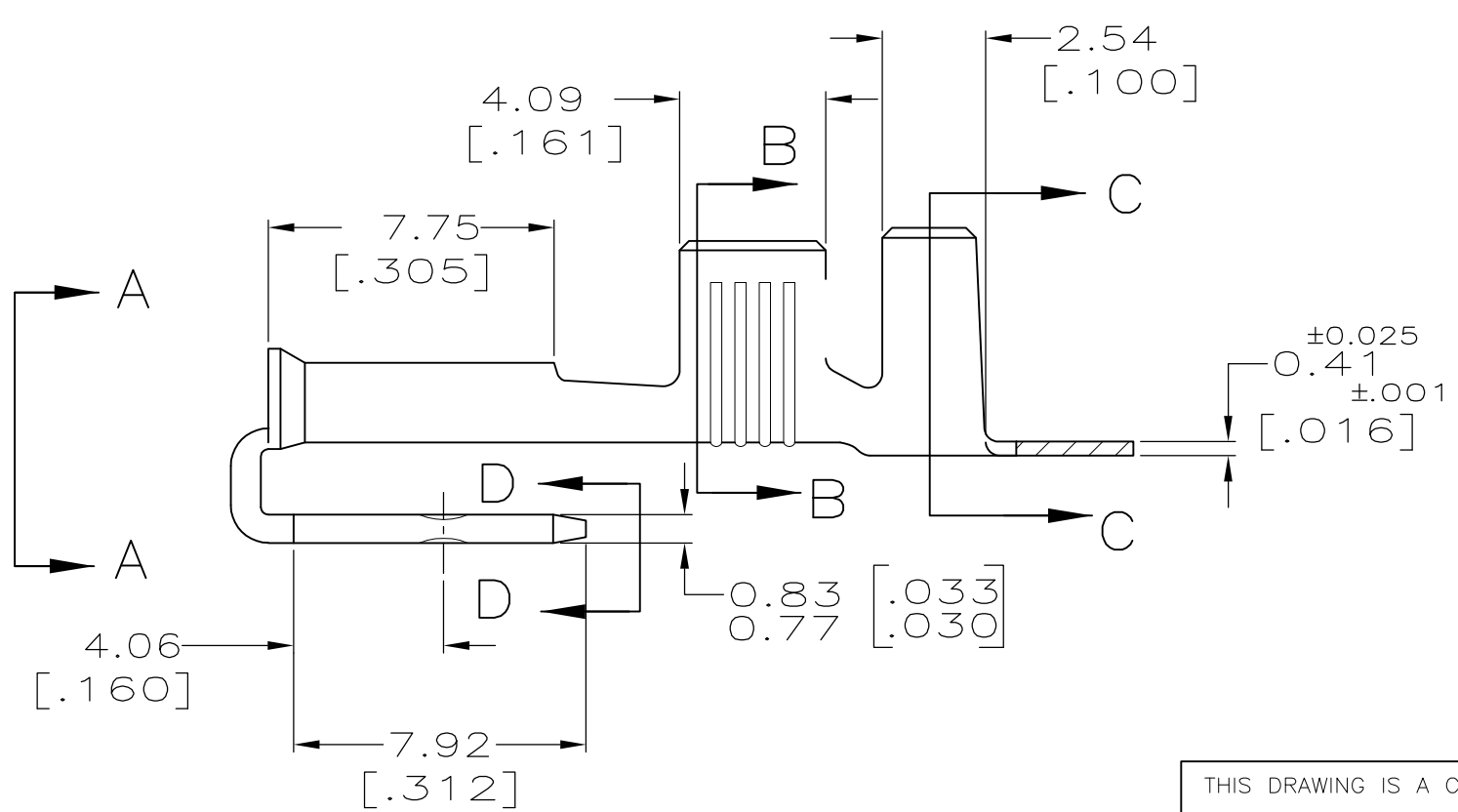
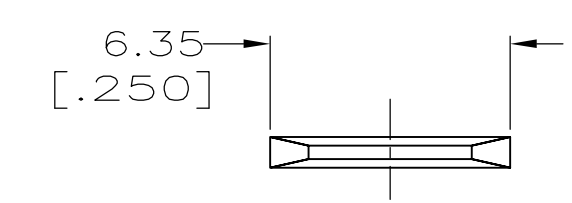
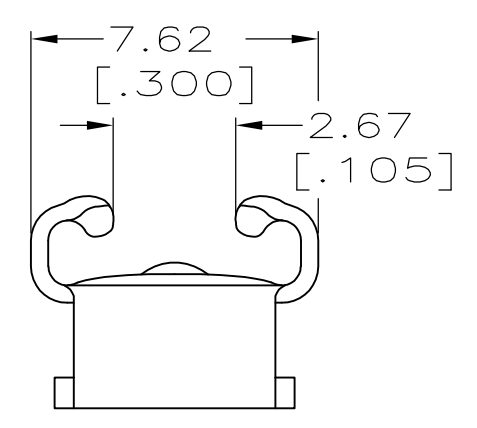
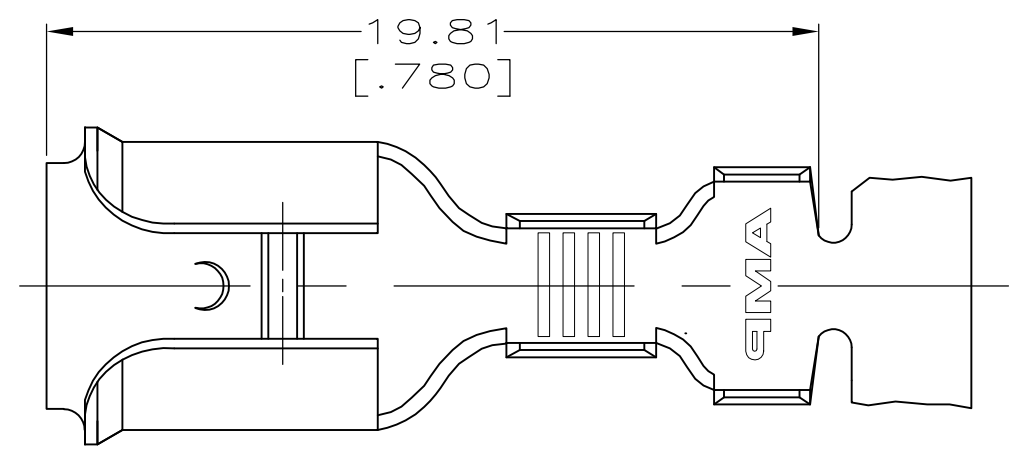


THIS DRAWING IS UNPUBLISHED. RELEASED FOR PUBLICATION
 © COPYRIGHT - By - ALL RIGHTS RESERVED.

LOC	DIST	REVISIONS			
P	LTR	DESCRIPTION	DATE	DWN	APVD
AF	50				
	D	REVISED PER ECR-12-013518	26NOV2012	KH	PD

- 1 CONTINUOUS STRIP ON REELS.
- 2 MATING TAB THK 0.813±0.025 [.032±.001].
- 3 WIRE SIZE [#14-#10] AWG.
- 4 INSUL RANGE IS 3.81-5.08 [.150-.200] DIA.



1217043-1
 PART NO.

THIS DRAWING IS A CONTROLLED DOCUMENT.		DWN	JR RUTH	12/18/97	TE Connectivity			NAME RECEPTACLE, FASTON, PIGGYBACK, 6.35 [.250] SERIES	
DIMENSIONS: mm [INCHES]		CHK	MS FEHER	12/18/97					
TOLERANCES UNLESS OTHERWISE SPECIFIED:		APVD	P DESANTIS	12/18/97					
0 PLC ± - 1 PLC ± - 2 PLC ± 0.25 [.010] 3 PLC ± - 4 PLC ± - ANGLES ± -		PRODUCT SPEC		NAME					
MATERIAL BRASS		FINISH 0.002032 [.000080] MIN TIN		APPLICATION SPEC		SIZE	CAGE CODE	DRAWING NO	RESTRICTED TO
CUSTOMER DRAWING				WEIGHT		A3 00779		C-1217043	
				SCALE		5:1		SHEET 1 OF 1	
								REV D	

X-ON Electronics

Largest Supplier of Electrical and Electronic Components

Click to view similar products for [Terminals](#) category:

Click to view products by [TE Connectivity](#) manufacturer:

Other Similar products are found below :

[00-054007-01074-6](#) [00-054007-70206-1](#) [00-054007-70210-8](#) [00-054007-70217-7](#) [00-054007-70226-9](#) [00-054007-70228-3](#) [00-054007-70248-1](#) [00-054007-70256-6](#) [00-054007-70301-3](#) [00-054007-70316-7](#) [0-0320562-0](#) [00-054007-49560-4](#) [00-054007-70209-2](#) [00-054007-70225-2](#) [00-054007-70227-6](#) [00-054007-70231-3](#) [00-054007-70241-2](#) [00-054007-70242-9](#) [00-054007-70244-3](#) [00-054007-70246-7](#) [00-054007-70263-4](#) [00-054007-70288-7](#) [00-054007-70290-0](#) [00-054007-70300-6](#) [00-054007-70304-4](#) [01-2065-1-0216](#) [01-2900-1-04412](#) [00581P0075](#) [600TS-10](#) [60205-1](#) [604200-1](#) [605601-1](#) [60598-1-CUT-TAPE](#) [61314-6-C](#) [61810-3](#) [61-S](#) [61-SN](#) [626-0194](#) [62-NBM-A](#) [62-SN](#) [62-SP](#) [63-S](#) [640179-1](#) [M55155/059I03](#) [M55155/079C01](#) [M55155/099H02](#) [M55155/109H01](#) [M55155/109H02](#) [M55155/12XH05](#) [M55155/16XH02](#)