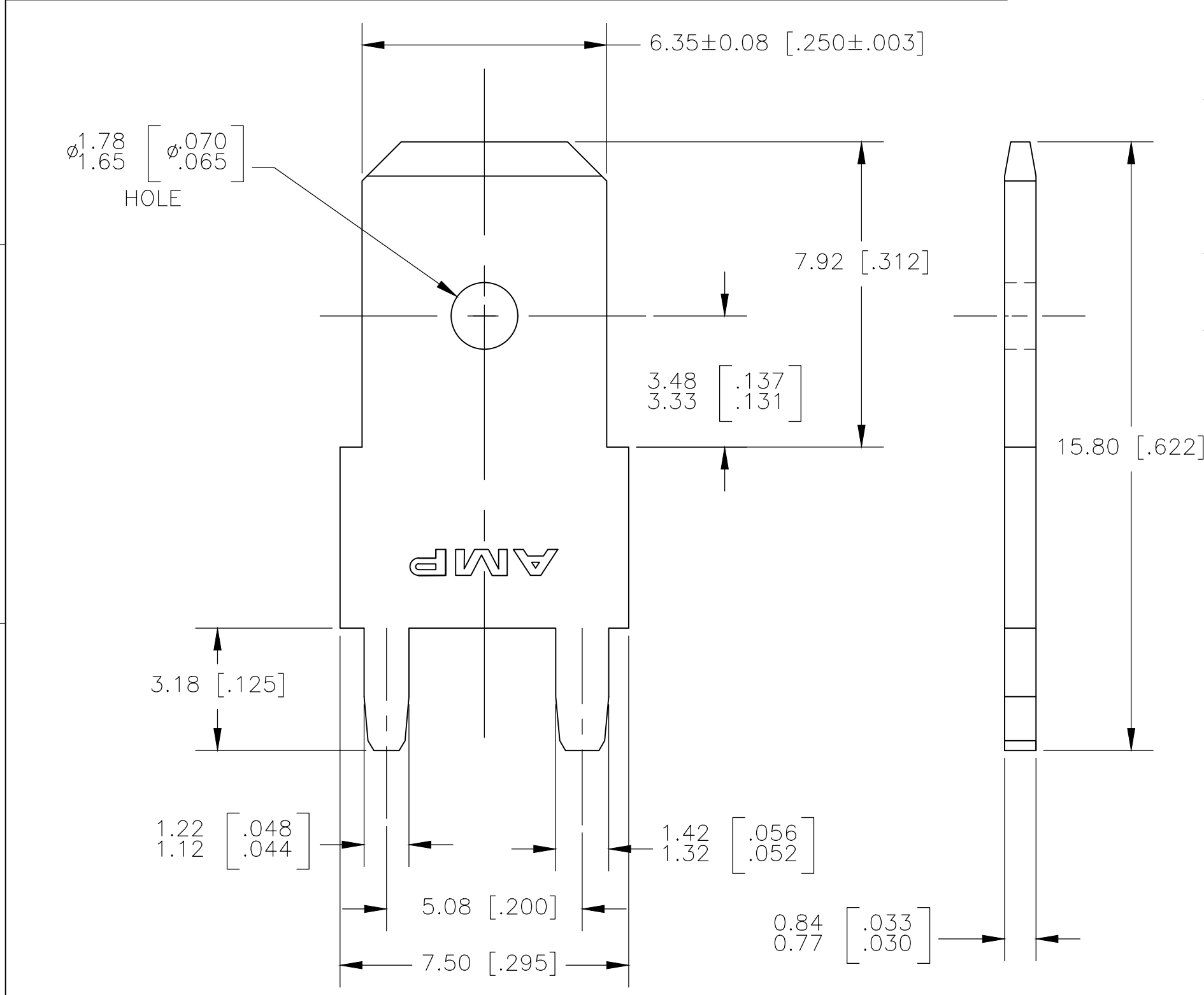
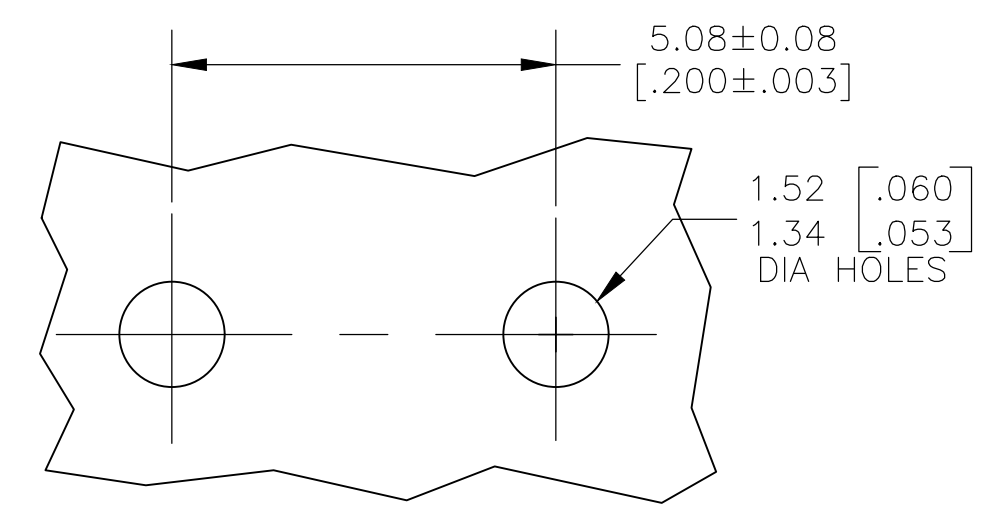


THIS DRAWING IS UNPUBLISHED. RELEASED FOR PUBLICATION  
 © COPYRIGHT - By - ALL RIGHTS RESERVED.

REVISIONS					
P	LTR	DESCRIPTION	DATE	DWN	APVD
	E3	REVISED PER ECR-19-019184	10DEC2019	BH	E.W

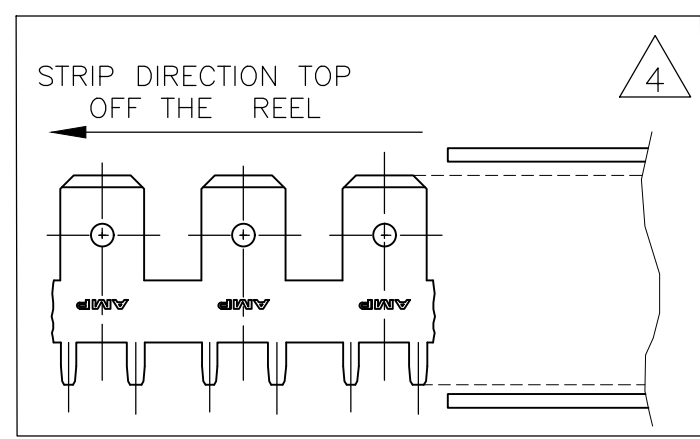


- 1 0.00381 [.000150] MIN TIN OVER  
0.00254 [.000100] MIN THK COPPER.
- 2 CONTACT PITCH 10.67[.420] FOR STRIP  
VERSION 1-1217056-0
- 3 MAX 3 SPLICES PER REEL ALLOWED FOR  
STRIP VERSION 1-1217056-0.
- 4 PACKAGING: N. 6000 PCS IN STRIP MUST BE  
PLACED ON REEL P/N 999449-3.  
N.3 REELS PER BOX P/N 995536-1.  
TOTAL: 18000 PCS/BOX.



P.C. BOARD HOLES  
SCALE 10:1

3 4	STRIP	1-1217056-0
	LOOSE PIECE	1217056-1
	SUPPLYING CONDITION	PART NUMBER



THIS DRAWING IS A CONTROLLED DOCUMENT.		DWN JR RUTH 20MAR01	TE Connectivity NAME TAB, FASTON, PC BOARD, 6.35 [.250] SERIES				
DIMENSIONS: INCHES		CHK MS FEHER 20MAR01				PRODUCT SPEC	RESTRICTED TO
TOLERANCES UNLESS OTHERWISE SPECIFIED:		APVD N DEIBERT 20MAR01				APPLICATION SPEC	SIZE
MATERIAL BRASS		FINISH 1				WEIGHT 0.000000	CAGE CODE A300779
				DRAWING NO C-1217056	RESTRICTED TO		
				SCALE 8:1	SHEET 1 OF 1		
					REV E3		

## X-ON Electronics

Largest Supplier of Electrical and Electronic Components

*Click to view similar products for [Terminals](#) category:*

*Click to view products by [TE Connectivity](#) manufacturer:*

Other Similar products are found below :

[00-054007-01074-6](#) [00-054007-70206-1](#) [00-054007-70210-8](#) [00-054007-70217-7](#) [00-054007-70226-9](#) [00-054007-70228-3](#) [00-054007-70248-1](#) [00-054007-70256-6](#) [00-054007-70301-3](#) [00-054007-70316-7](#) [0-0320562-0](#) [00-054007-49560-4](#) [00-054007-70209-2](#) [00-054007-70225-2](#) [00-054007-70227-6](#) [00-054007-70231-3](#) [00-054007-70241-2](#) [00-054007-70242-9](#) [00-054007-70244-3](#) [00-054007-70246-7](#) [00-054007-70263-4](#) [00-054007-70288-7](#) [00-054007-70290-0](#) [00-054007-70300-6](#) [00-054007-70304-4](#) [01-2065-1-0216](#) [01-2900-1-04412](#) [00581P0075](#) [600TS-10](#) [60205-1](#) [604200-1](#) [605601-1](#) [60598-1-CUT-TAPE](#) [61314-6-C](#) [61810-3](#) [61-S](#) [61-SN](#) [626-0194](#) [62-NBM-A](#) [62-SN](#) [62-SP](#) [63-S](#) [640179-1](#) [M55155/059I03](#) [M55155/079C01](#) [M55155/099H02](#) [M55155/109H01](#) [M55155/109H02](#) [M55155/12XH05](#) [M55155/16XH02](#)