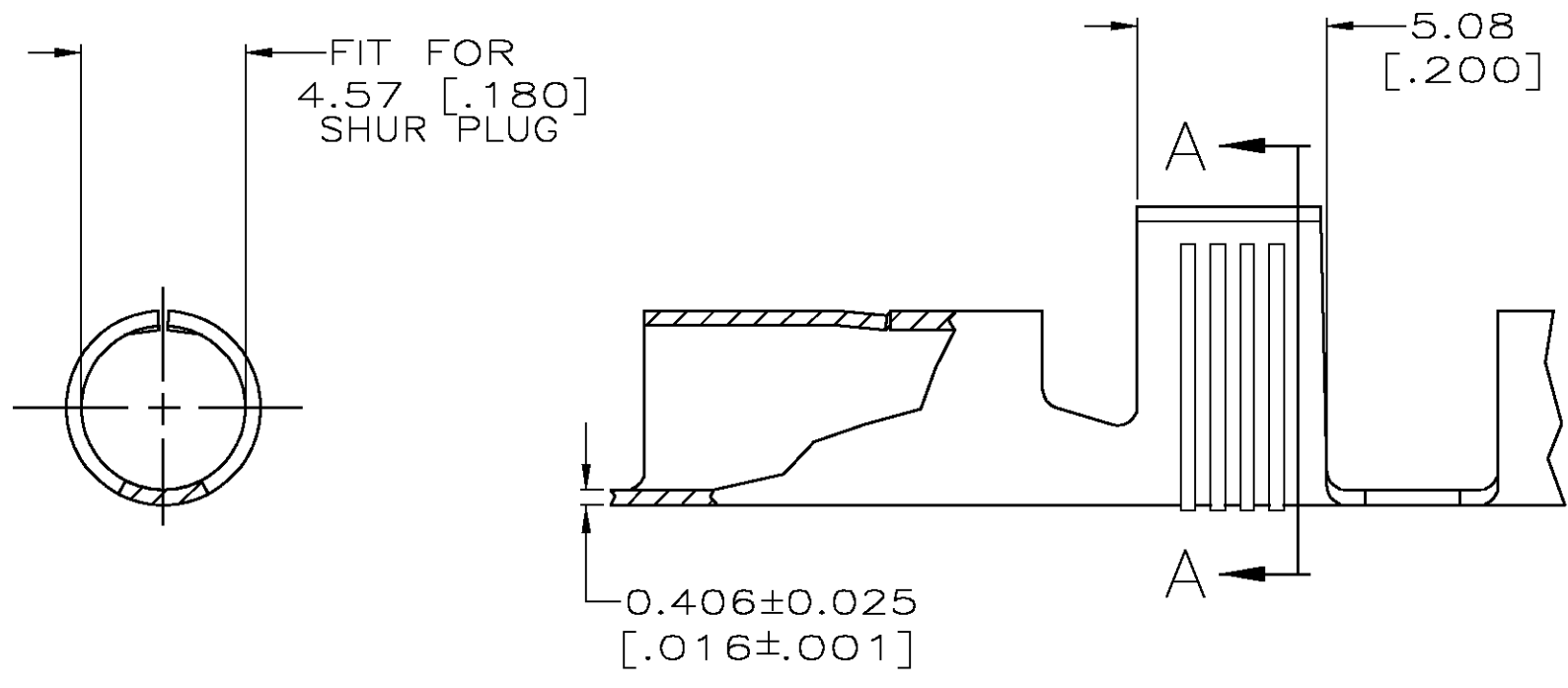
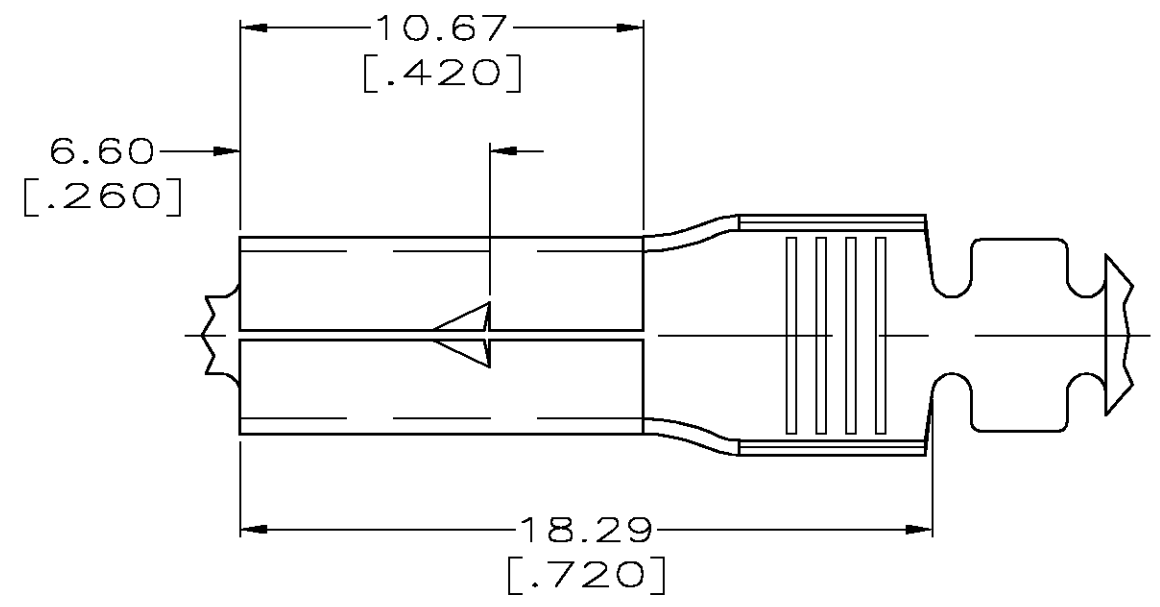
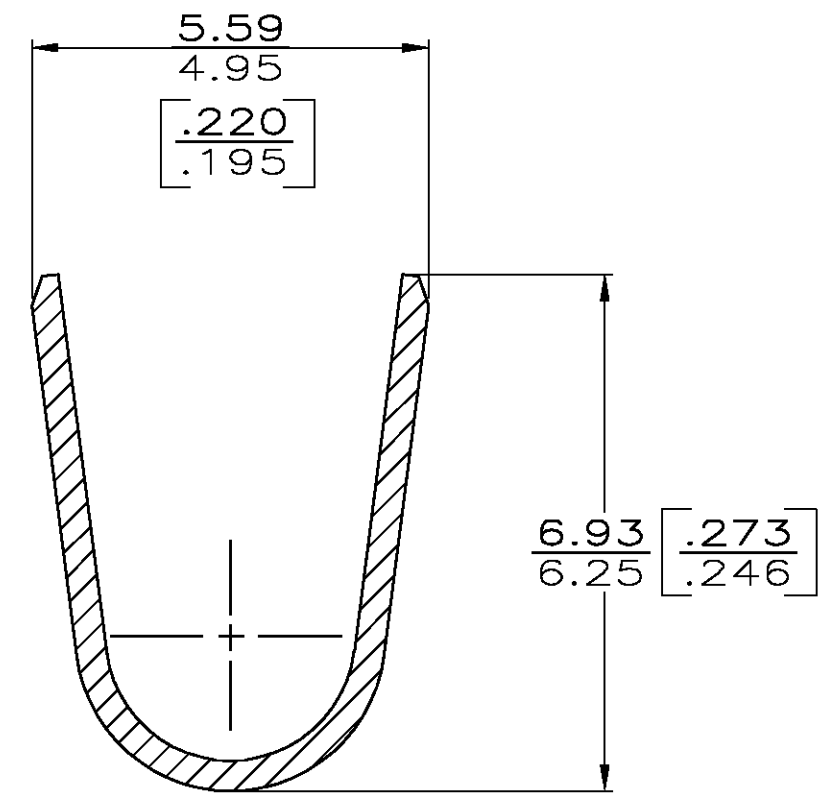


THIS DRAWING IS UNPUBLISHED. RELEASED FOR PUBLICATION
 © COPYRIGHT BY TYCO ELECTRONICS CORPORATION. ALL RIGHTS RESERVED.

| LOC | DIST | REVISIONS | | | |
|-----|------|--------------------------|---------|-----|------|
| P | LTR | DESCRIPTION | DATE | DWN | APVD |
| | C | REVISED PER 0G3A-0679-03 | 28OCT03 | JR | GY |



- 1 CONTINUOUS STRIP ON REEL.
- △2 0.002032 [.000080] MIN TIN PLATE
- △3 0.00381 [.000150] MIN NICKEL PLATE
- △4 PRELIMINARY - NOT FOR PRODUCTION



SECTION A-A
SCALE 10:1

| | | |
|------------|--------|--------------|
| 12-8 AWG | △3 | △4 1217070-2 |
| 12-8 AWG | △2 | 1217070-1 |
| WIRE RANGE | FINISH | PART NUMBER |

| | | | | |
|---|---------------------|---------------------------------------|--|--------------------|
| THIS DRAWING IS A CONTROLLED DOCUMENT. | | DWN PHILLIP M FORTNEY 23/FEB/98 | Tyco Electronics Corporation Harrisburg, PA 17105 | |
| DIMENSIONS: MM | | CHK JEFF R RUTH 23/FEB/98 | NAME RECEPTACLE, SHUR PLUG, 4.57 [.180] DIA | |
| TOLERANCES UNLESS OTHERWISE SPECIFIED: | | APVD GARY YETTER 23/FEB/98 | PRODUCT SPEC | |
| 0 PLC ± - 1 PLC ± - 2 PLC ± 0.25 [.010] 3 PLC ± - 4 PLC ± - ANGLES ± - | | APPLICATION SPEC 114-2017 | SIZE A3 | CAGE CODE 00779 |
| MATERIAL 4M BRASS | FINISH SEE TABLE | WEIGHT - | DRAWING NO C-1217070 | RESTRICTED TO - |
| CUSTOMER DRAWING | | | SCALE 5:1 | SHEET 1 OF 1 |
| | | | REV C | |

X-ON Electronics

Largest Supplier of Electrical and Electronic Components

Click to view similar products for [Terminals](#) category:

Click to view products by [TE Connectivity](#) manufacturer:

Other Similar products are found below :

[00-054007-01074-6](#) [00-054007-70206-1](#) [00-054007-70210-8](#) [00-054007-70217-7](#) [00-054007-70226-9](#) [00-054007-70228-3](#) [00-054007-70248-1](#) [00-054007-70256-6](#) [00-054007-70301-3](#) [00-054007-70316-7](#) [0-0320562-0](#) [00-054007-49560-4](#) [00-054007-70209-2](#) [00-054007-70225-2](#) [00-054007-70227-6](#) [00-054007-70231-3](#) [00-054007-70241-2](#) [00-054007-70242-9](#) [00-054007-70244-3](#) [00-054007-70246-7](#) [00-054007-70263-4](#) [00-054007-70288-7](#) [00-054007-70290-0](#) [00-054007-70300-6](#) [00-054007-70304-4](#) [01-2065-1-0216](#) [01-2900-1-04412](#) [00581P0075](#) [600TS-10](#) [60205-1](#) [604200-1](#) [605601-1](#) [60598-1-CUT-TAPE](#) [61314-6-C](#) [61810-3](#) [61-S](#) [61-SN](#) [626-0194](#) [62-NBM-A](#) [62-SN](#) [62-SP](#) [63-S](#) [640179-1](#) [M55155/059I03](#) [M55155/079C01](#) [M55155/099H02](#) [M55155/109H01](#) [M55155/109H02](#) [M55155/12XH05](#) [M55155/16XH02](#)