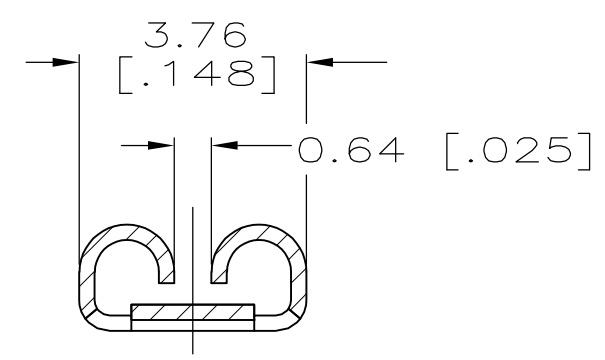
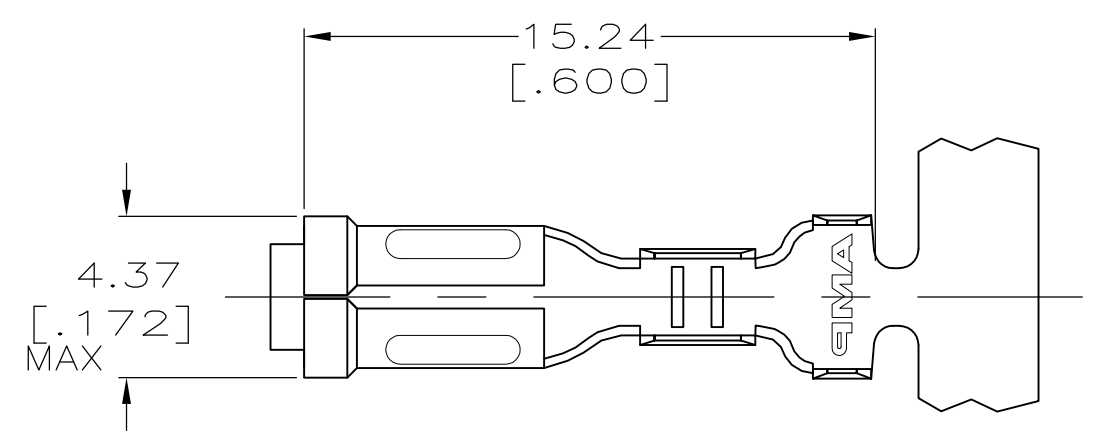


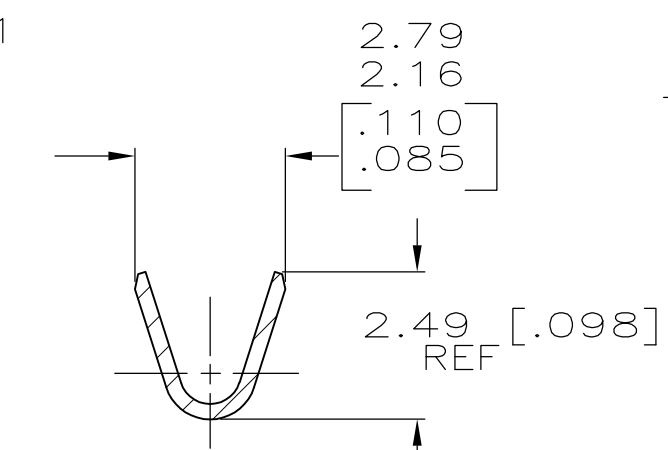
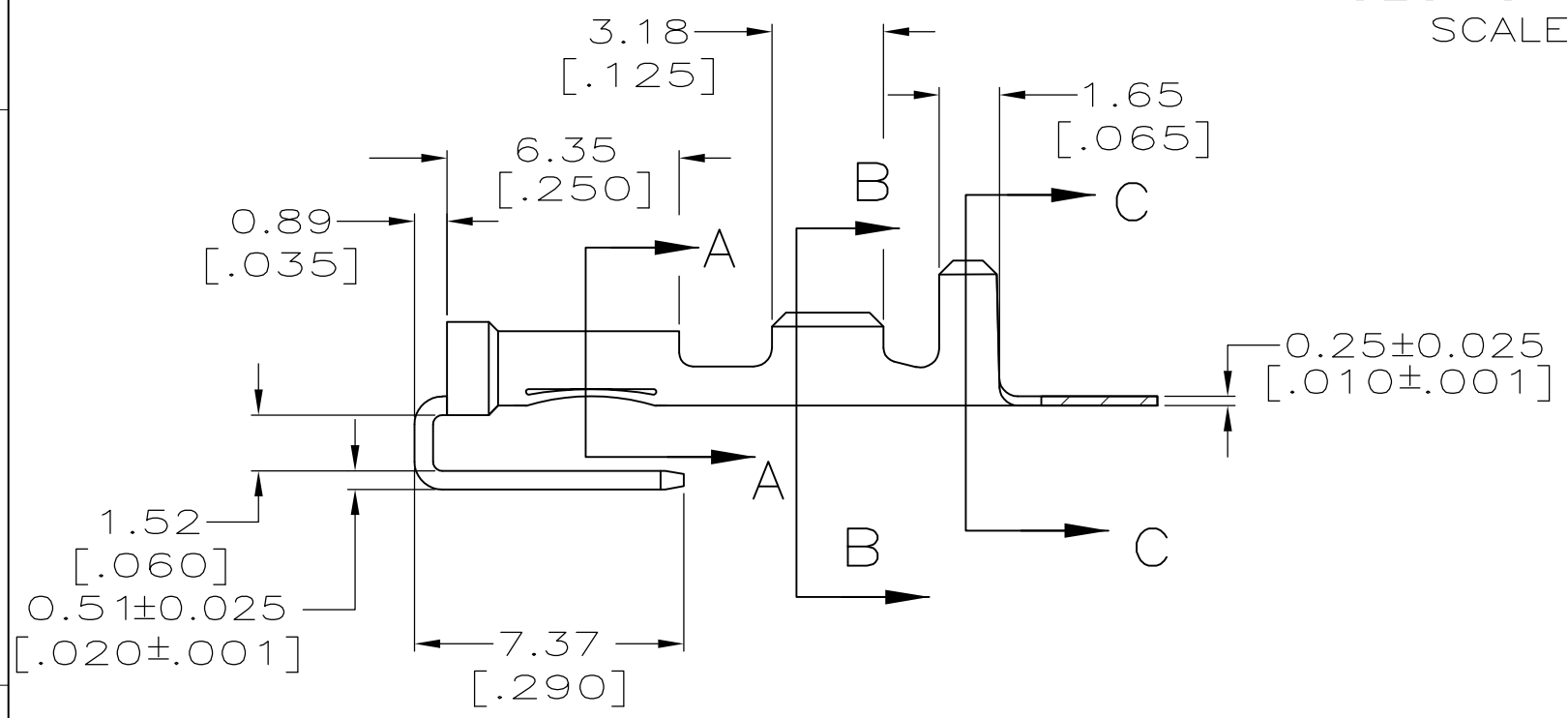
THIS DRAWING IS UNPUBLISHED. RELEASED FOR PUBLICATION  
 © COPYRIGHT - By - ALL RIGHTS RESERVED.

LOC	DIST	REVISIONS			
P	LTR	DESCRIPTION	DATE	DWN	APVD
AF	50	B	REVISED PER ECR-12-013518	26NOV2012	KH PD

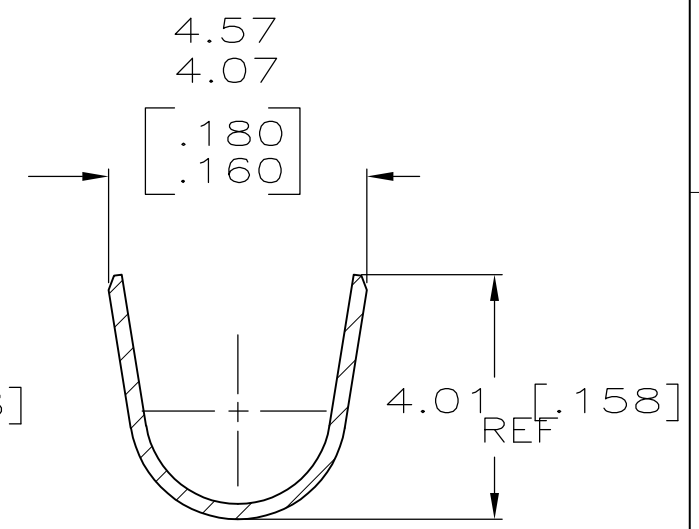
- CONTINUOUS STRIP ON REELS.
- MATING TAB THK IS  $0.508 \pm 0.025$  OR  $0.457 \pm 0.025$  [ $0.020 \pm .001$  OR  $.018 \pm .001$ ].
- WIRE SIZE IS [#22-#18] AWG.
- INSULATION RANGE IS 2.03-3.05 [ $.080-.120$ ] DIA.



SECTION A-A  
SCALE 8:1



SECTION B-B  
SCALE 8:1



SECTION C-C  
SCALE 8:1

1217083-1  
PART NO.

THIS DRAWING IS A CONTROLLED DOCUMENT.		DWN	JR RUTH	4/22/98	TE Connectivity RECEPTACLE, FASTON, PIGGYBACK, 2.79 [.110] SERIES
DIMENSIONS: mm [INCHES]		CHK	MS FEHER	4/22/98	
TOLERANCES UNLESS OTHERWISE SPECIFIED:		APVD	J GILLESPIE	4/22/98	
0 PLC ± - 1 PLC ± - 2 PLC ± 0.25 [.010] 3 PLC ± - 4 PLC ± - ANGLES ± -		PRODUCT SPEC		NAME	
MATERIAL	BRASS	FINISH		-	APPLICATION SPEC
-		WEIGHT	-		SIZE
-		CUSTOMER DRAWING		SCALE	5:1
-		-		SHEET	1 OF 1
-		-		REV	B
-		-		DRAWING NO	A3 00779 C-1217083
-		-		RESTRICTED TO	-

## X-ON Electronics

Largest Supplier of Electrical and Electronic Components

*Click to view similar products for [Terminals](#) category:*

*Click to view products by [TE Connectivity](#) manufacturer:*

Other Similar products are found below :

[HT-13-10](#) [71M-250-32-NB](#) [01-2065-1-0216](#) [00581P0075](#) [M10-10RX](#) [M10BCK](#) [60205-1](#) [604200-1](#) [60598-1-CUT-TAPE](#) [60617-1-C](#) [60873-1](#) [M14-516R/SK](#) [M14-6RSX](#) [M18-8FBX](#) [M18-8R/LX](#) [M18BCK](#) [61314-6-C](#) [61-S](#) [61-SN-A](#) [62-NBM-A](#) [63-S](#) [640179-1](#) [640917-2-CUT-TAPE](#) [6501550002](#) [66107-2-C](#) [696683-1](#) [696834-1](#) [696861-1](#) [696931-1](#) [696999-1](#) [M8-516RK](#) [M86700006](#) [MA250DMFMX-A](#) [701-2007](#) [701-2307](#) [701-7761-03](#) [70F-110-32-PB](#) [718-N-A](#) [71M-187-20-NBL](#) [71M-250-32-NBL](#) [72F-187-20-NBL](#) [72M-250-32-NBL](#) [7310](#) [73F-250-32](#) [73F-250-32-NL](#) [F14-10C](#) [F-1M](#) [751-250](#) [76650-5002](#) [76828-149](#)